



US00D928025S

(12) **United States Design Patent** (10) **Patent No.:** **US D928,025 S**  
**Barile** (45) **Date of Patent:** **\*\* Aug. 17, 2021**

(54) **FLOWERPOT**  
(71) Applicant: **GABE S.R.L.**, Terlizzi (IT)  
(72) Inventor: **Gioacchino Barile**, Terlizzi (IT)  
(\*\*) Term: **15 Years**  
(21) Appl. No.: **29/722,167**  
(22) Filed: **Jan. 27, 2020**  
(51) **LOC (13) Cl.** ..... **11-02**  
(52) **U.S. Cl.**  
USPC ..... **D11/143**  
(58) **Field of Classification Search**  
USPC ..... D11/143-156, 164; D7/560, 561, 562,  
D7/586, 587; D9/663, 430  
CPC ..... A01G 9/02; A01G 9/021; A01G 9/022;  
A01G 9/04; A01G 27/003; A01G 27/005;  
A01G 27/008; A47G 7/00; A47G 7/02;  
A47G 7/06; A47G 7/08  
See application file for complete search history.

(56) **References Cited**

**U.S. PATENT DOCUMENTS**

231,086 A \* 8/1880 Pimley ..... A47G 7/047  
47/67  
986,395 A \* 3/1911 King ..... A01G 9/28  
47/33  
1,335,613 A \* 3/1920 Selle ..... F16B 35/041  
411/368  
D99,783 S \* 5/1936 Duryea ..... D11/147  
D103,122 S \* 2/1937 Mogi ..... D9/663  
2,148,959 A \* 2/1939 Pavlecka ..... F16B 39/34  
411/302  
D152,495 S \* 1/1949 Potts ..... D27/188  
2,908,112 A \* 10/1959 Koistinen ..... A47G 7/00  
47/41.11  
3,137,095 A \* 6/1964 Pearson ..... A01G 9/023  
47/83  
D209,240 S \* 11/1967 Plogsted ..... D9/755

D262,611 S \* 1/1982 Gonzales ..... D11/143  
4,355,485 A \* 10/1982 Frank ..... A01G 9/023  
47/82  
D318,797 S \* 8/1991 Cohen ..... D9/663  
D343,509 S \* 1/1994 Scott, Jr. .... D8/1  
D408,594 S \* 4/1999 Nakano ..... D28/91  
D599,634 S \* 9/2009 Taylor, Jr. .... D8/29  
D682,115 S \* 5/2013 Dumas ..... D9/663  
D700,058 S \* 2/2014 Faillant Dumas ..... D9/663  
D714,596 S \* 10/2014 Forno ..... D8/1  
D736,645 S \* 8/2015 Gomez ..... D9/663  
9,272,812 B2 \* 3/2016 Shuert ..... B65D 19/18  
D792,276 S \* 7/2017 Burnette ..... D11/143  
10,178,908 B1 \* 1/2019 Tseng ..... A47B 47/0091  
D893,222 S \* 8/2020 Tseng ..... D6/678  
D901,307 S \* 11/2020 Ha ..... D9/663  
D912,678 S \* 3/2021 O'Donnell ..... D14/445  
2012/0279155 A1 \* 11/2012 Mortreuil ..... A01G 9/28  
52/379

\* cited by examiner

*Primary Examiner* — Elizabeth A. Albert

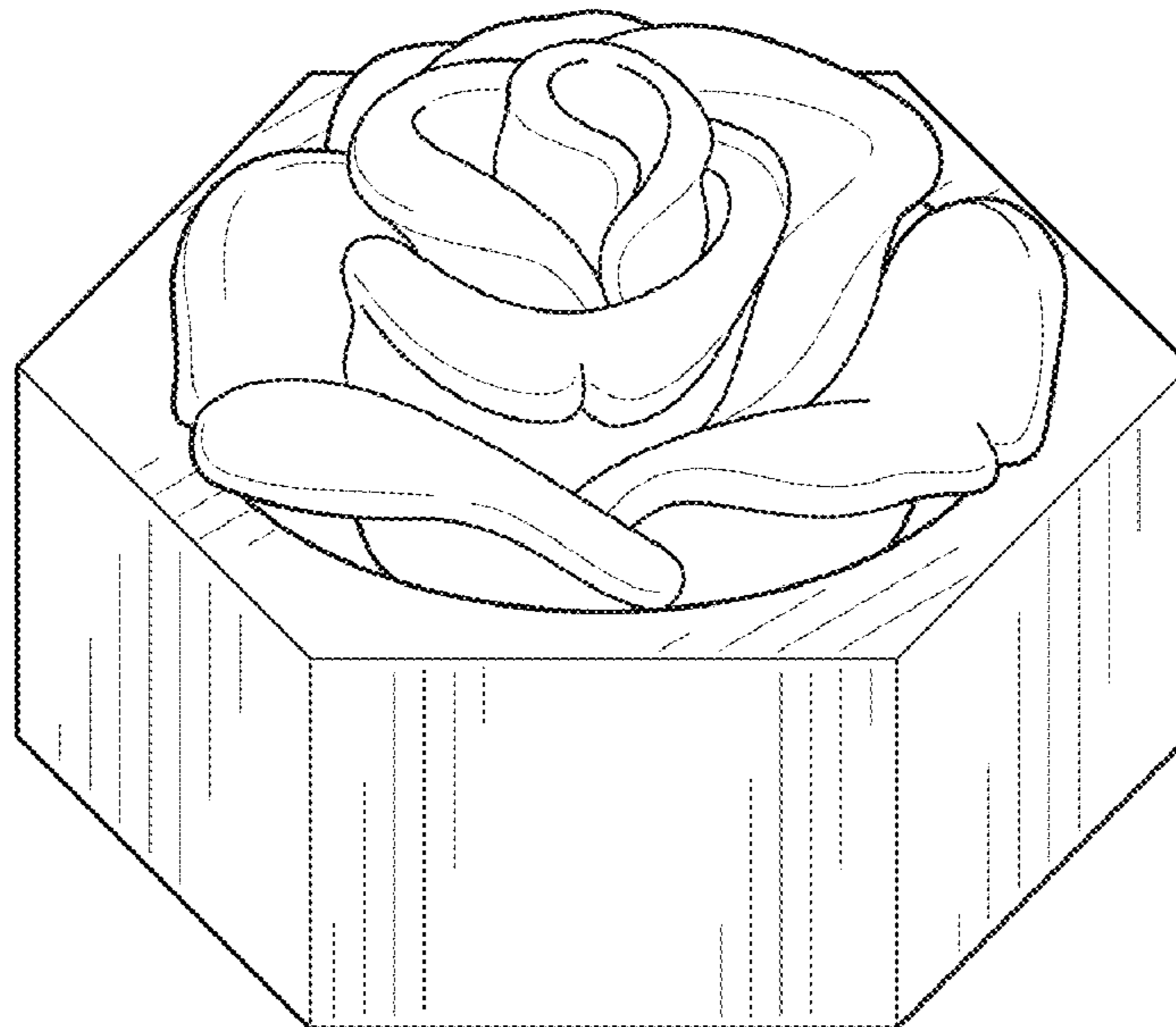
(57) **CLAIM**

The ornamental design for a flowerpot, as shown and described.

**DESCRIPTION**

FIG. 1 is a top view of a flowerpot showing my new design. FIG. 2 is a first perspective view thereof; FIG. 3 is a second perspective view thereof; FIG. 4 is a front view thereof; FIG. 5 is a right side view thereof; FIG. 6 is a rear view thereof; FIG. 7 is a left side view thereof; and, FIG. 8 is a bottom view thereof. The broken lines in FIG. 8 illustrate portions of the flowerpot that form no part of the claimed design.

**1 Claim, 2 Drawing Sheets**



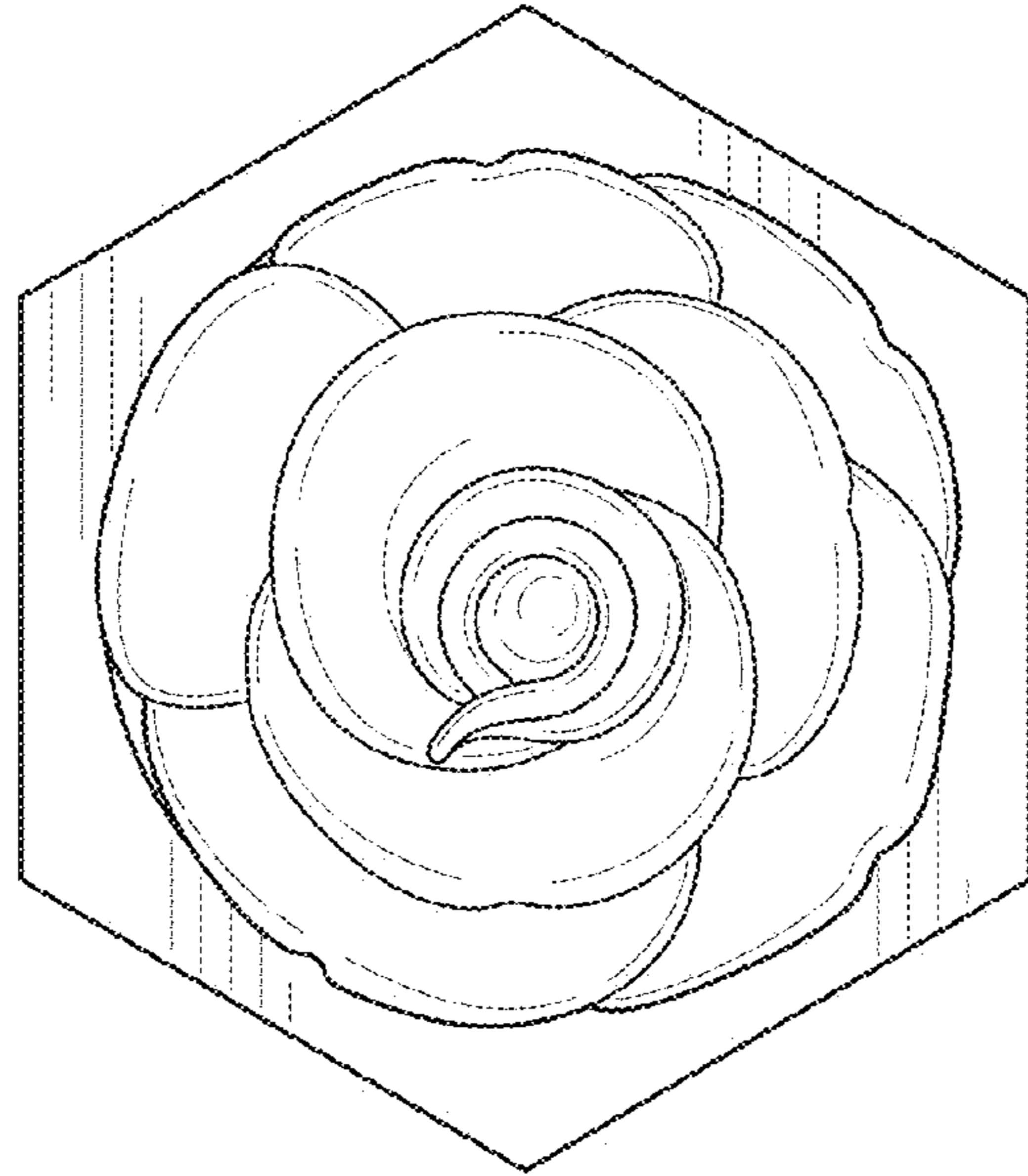


FIG. 1

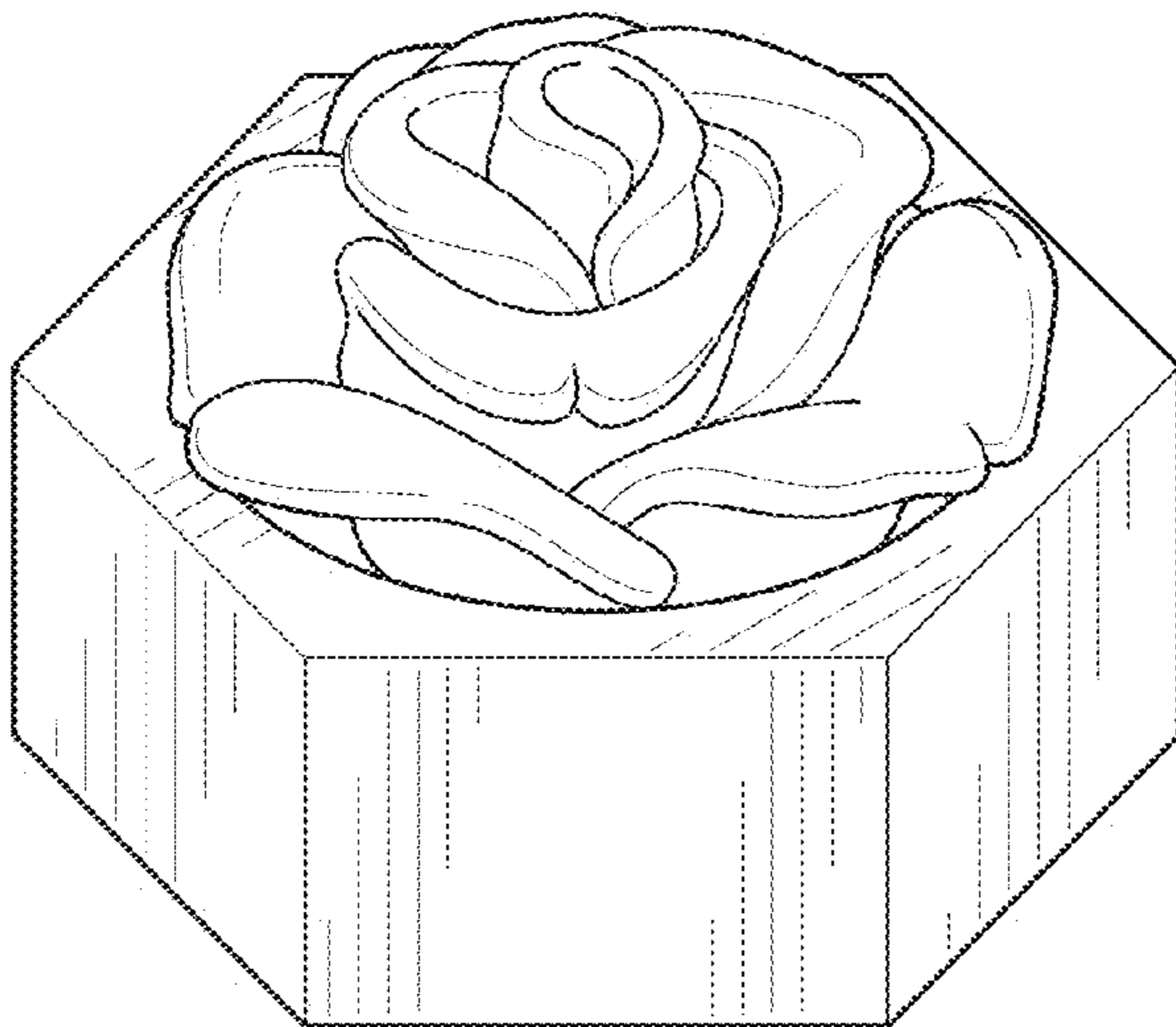


FIG. 2

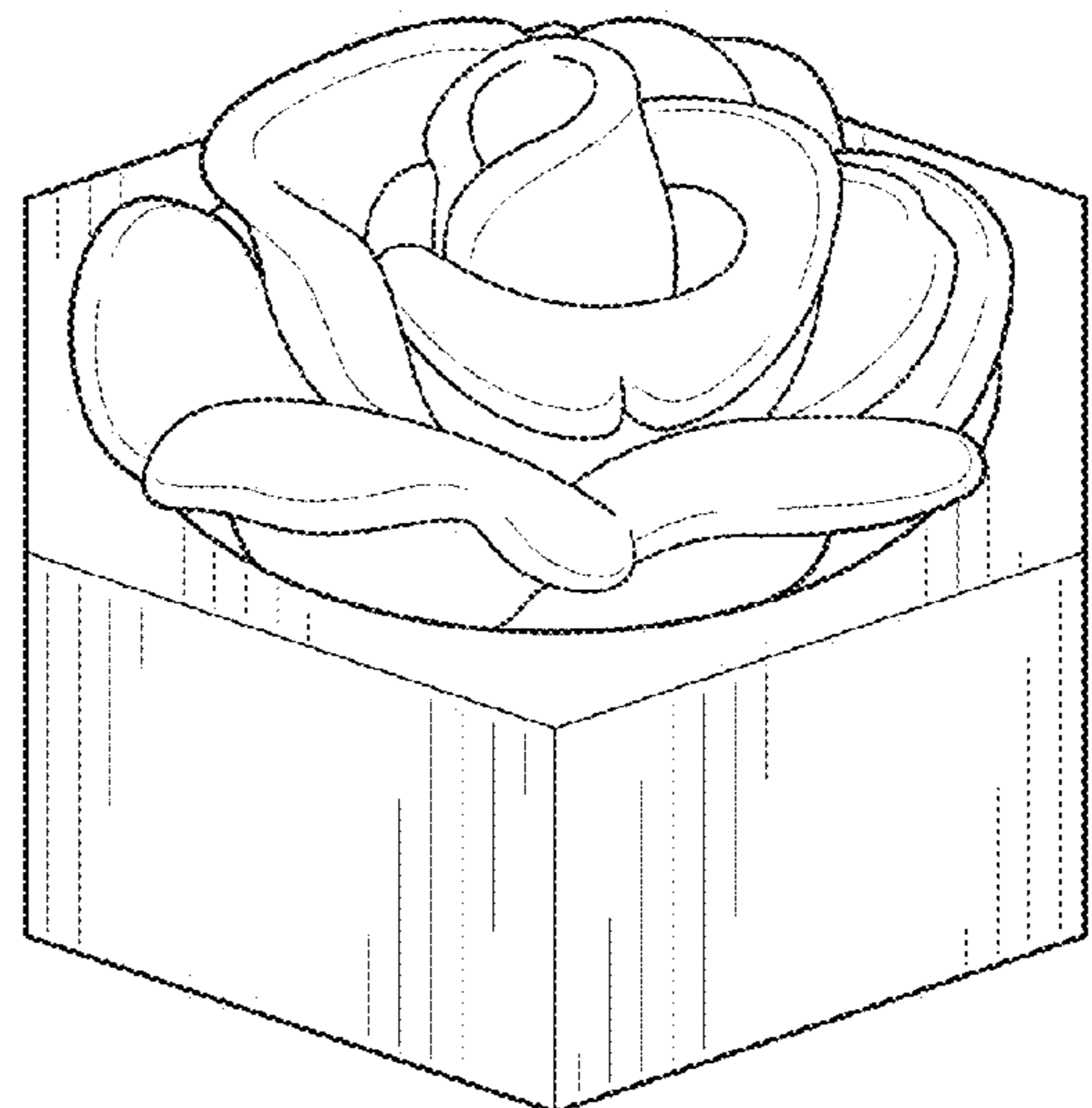


FIG. 3

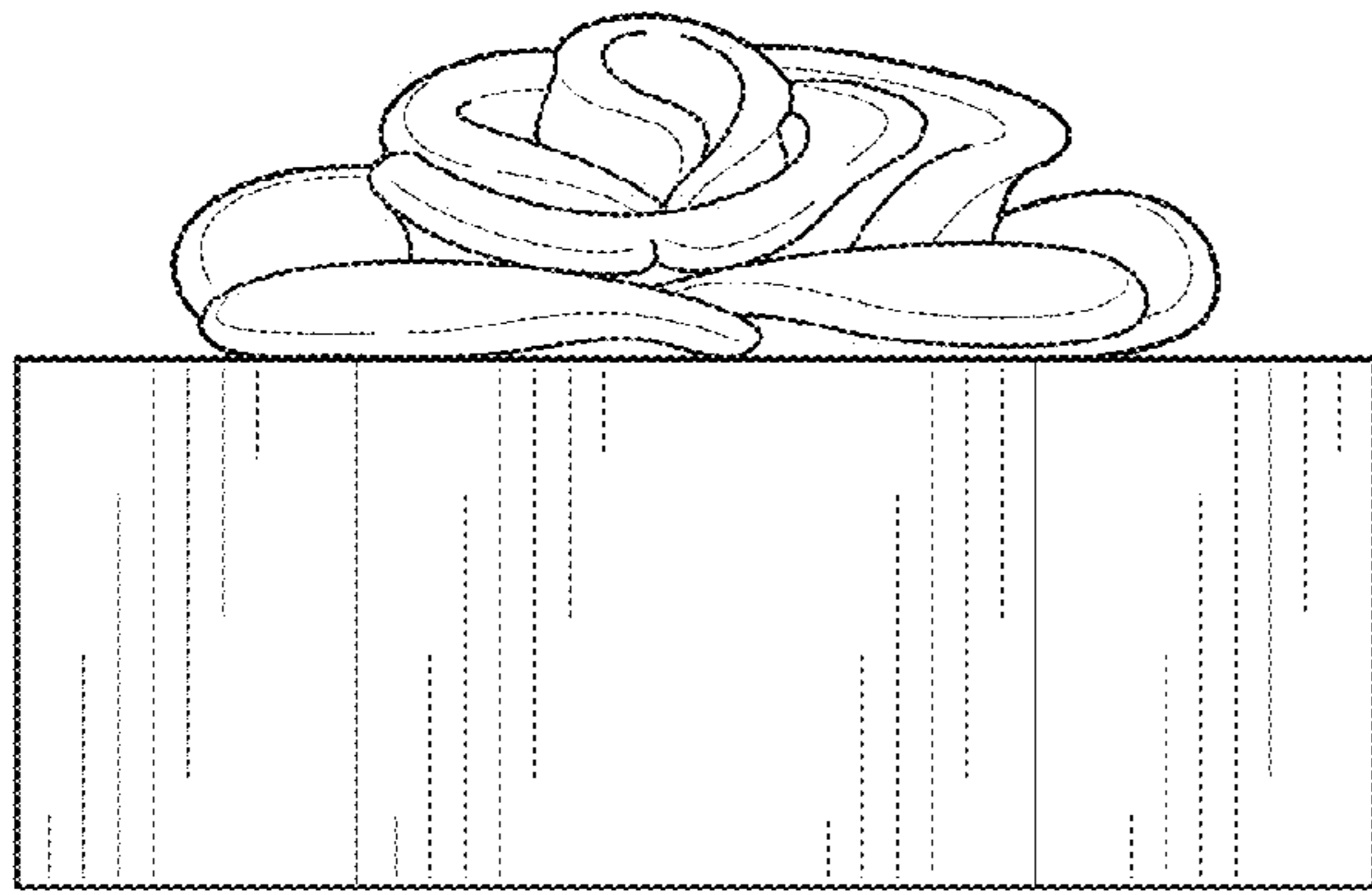


FIG. 4

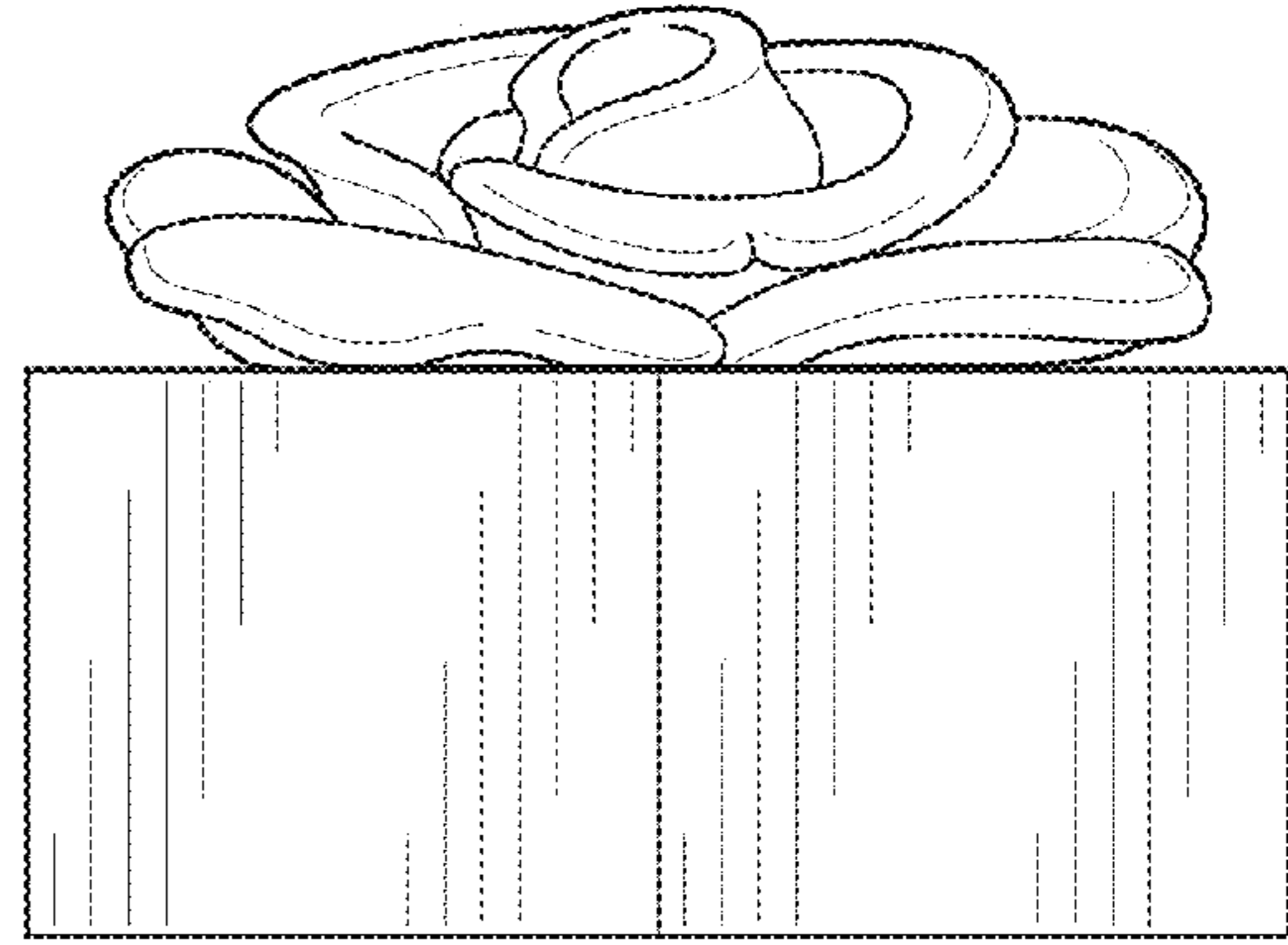


FIG. 5

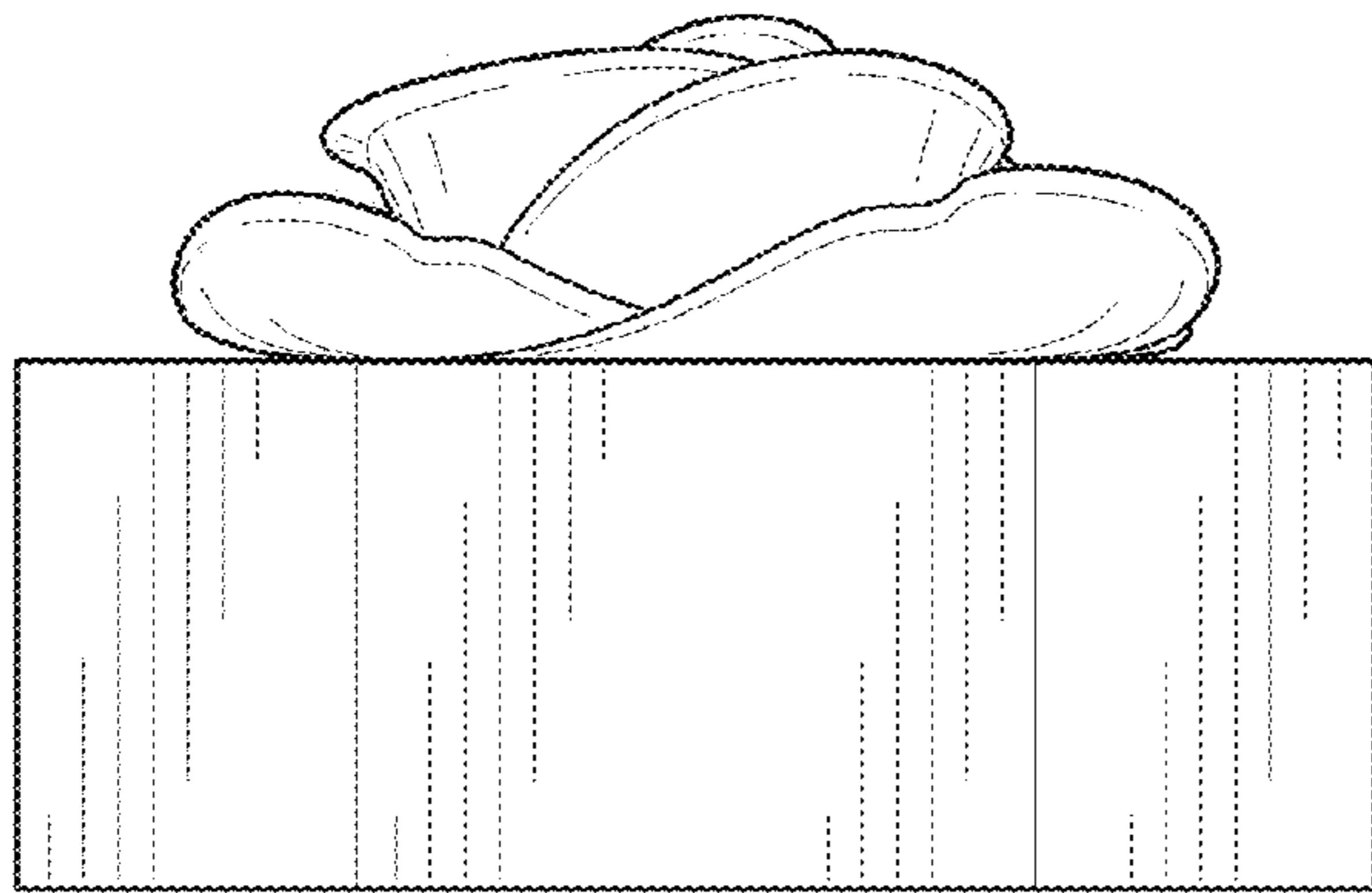


FIG. 6

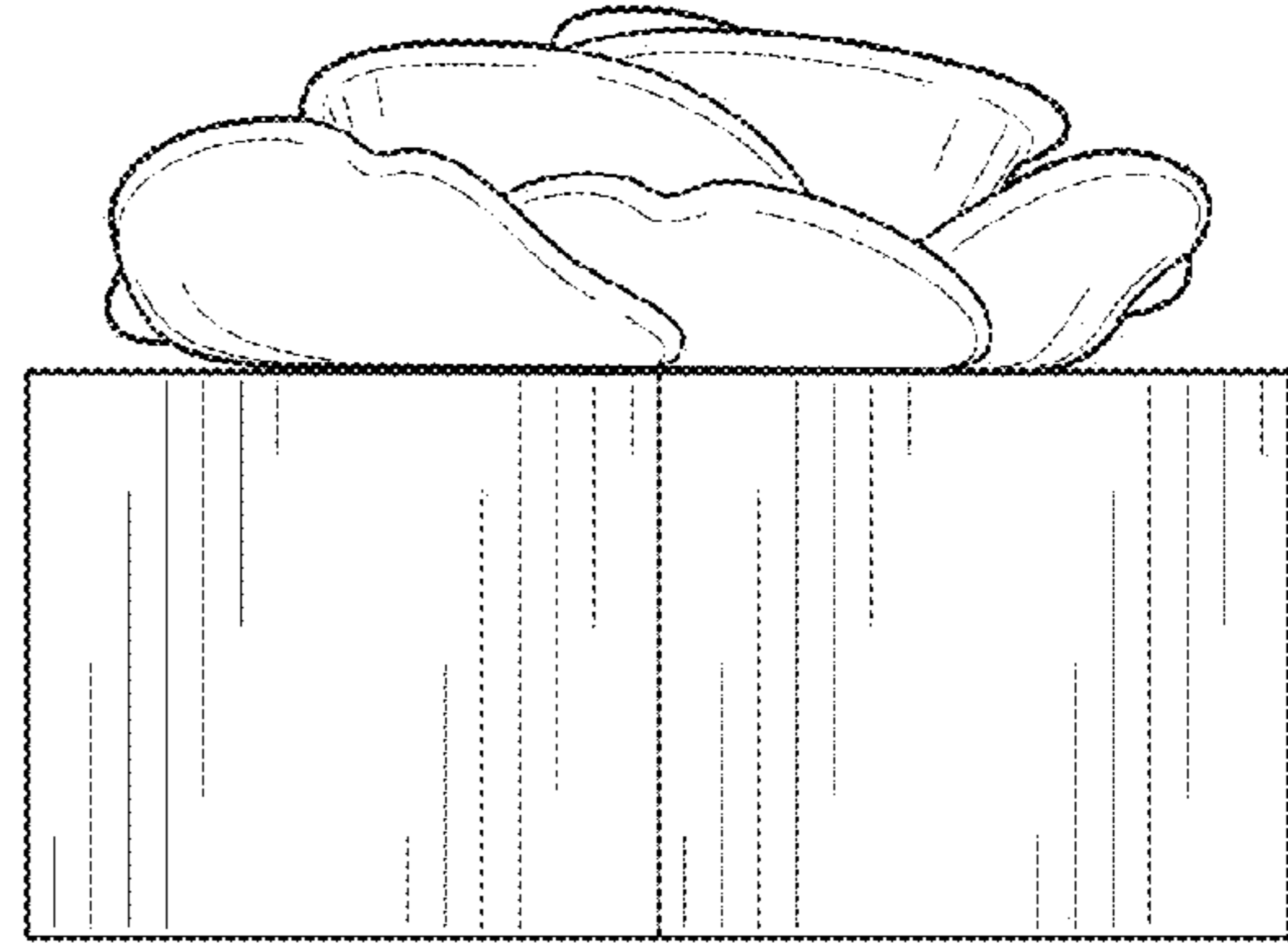


FIG. 7

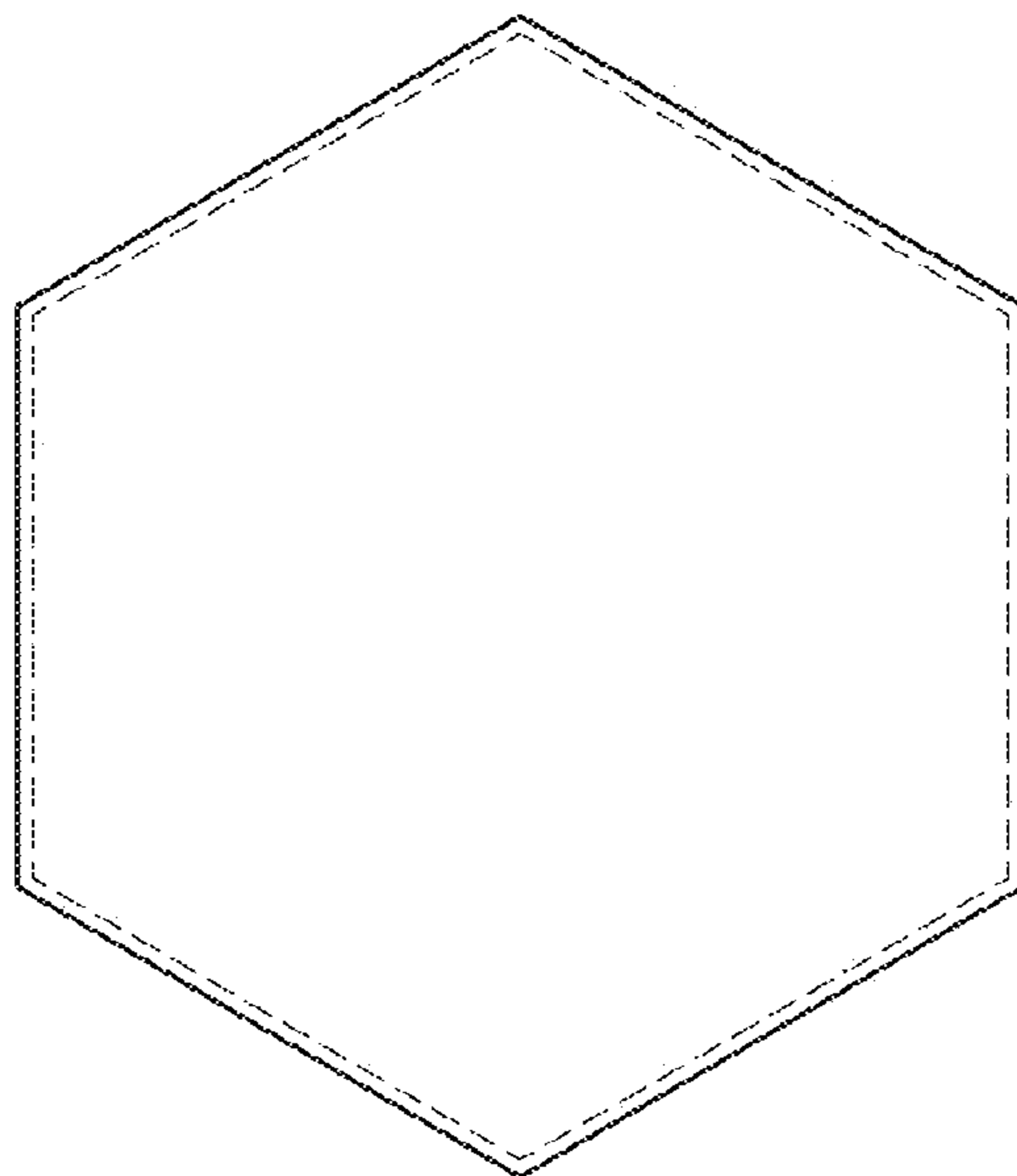


FIG. 8