



US00D928022S

(12) **United States Design Patent** (10) **Patent No.:** **US D928,022 S**  
**Haller** (45) **Date of Patent:** **\*\* Aug. 17, 2021**

(54) **HANGING ORNAMENT WITH MIRRORED SIDE PANELS**

(71) Applicant: **John L. Haller**, La Jolla, CA (US)

(72) Inventor: **John L. Haller**, La Jolla, CA (US)

(\*\*) Term: **15 Years**

(21) Appl. No.: **29/681,633**

(22) Filed: **Feb. 27, 2019**

(51) **LOC (13) Cl.** ..... **11-05**

(52) **U.S. Cl.**  
USPC ..... **D11/121; D6/300**

(58) **Field of Classification Search**  
USPC ..... D11/117, 121, 125, 130, 131, 132, 133,  
D11/141, 142, 157, 164; 428/7, 8, 9, 12  
CPC .... A47G 33/00; A47G 33/08; A47G 33/0836;  
A47G 2033/0827; B44C 5/00; B44C  
5/02; B44C 5/04; B44C 5/0407; B44C  
5/0415; B44C 7/00  
See application file for complete search history.

(56) **References Cited**

**U.S. PATENT DOCUMENTS**

- 3,510,134 A \* 5/1970 Brooks ..... A63F 9/1204  
273/157 R
- 3,561,146 A \* 2/1971 Dembar ..... G09F 1/12  
40/720
- 3,647,279 A \* 3/1972 Sharpless ..... G02F 1/13  
349/23
- 3,712,622 A \* 1/1973 Odier ..... A63F 3/0415  
273/236
- D227,001 S \* 5/1973 Dembar ..... D6/301
- 3,774,332 A \* 11/1973 Schneider ..... G09F 1/12  
40/720
- D253,584 S \* 12/1979 Dorsen ..... D11/131
- D259,866 S \* 7/1981 Mortillaro ..... 428/13
- D261,248 S \* 10/1981 Birmingham ..... D11/121
- D328,799 S \* 8/1992 Leonard ..... D11/131
- D329,301 S \* 9/1992 Leonard ..... D11/131

- 5,226,252 A \* 7/1993 Haluska ..... A44B 15/005  
206/38.1
- D340,673 S \* 10/1993 Saputo ..... D11/121
- 5,310,183 A \* 5/1994 Glikmann ..... A63F 9/083  
273/153 S
- D375,207 S \* 11/1996 Pempek ..... D6/300
- D381,520 S \* 7/1997 Sales ..... D6/300
- D389,267 S \* 1/1998 Sutton ..... D11/131
- D389,874 S \* 1/1998 Kazangian ..... D21/373
- D430,565 S \* 9/2000 Crane, Jr. .... 273/146
- D444,633 S \* 7/2001 Henick ..... D6/301

(Continued)

**OTHER PUBLICATIONS**

Green Mountain Glass Retired Hanging Mirrored Glass Package  
Ornaments 2.5" 3 Pcs ,[\(Continued\)](https://www.ebay.com/itm/303844191216?chn=ps&norover=1&mkevt=1&mkrid=711-213727-13078-0&mkcid=2&itemid=303844191216&targetid=4581183927179143&device=c&mktype=&googleloc=&poi=&campaignid=418233787&mkgroupid, 2021 (Year: 2021).*</a></p></div>
<div data-bbox=)

*Primary Examiner* — Elizabeth J Oswecki  
(74) *Attorney, Agent, or Firm* — David R. Heckadon;  
Gordon Rees Scully Mansukhani LLP

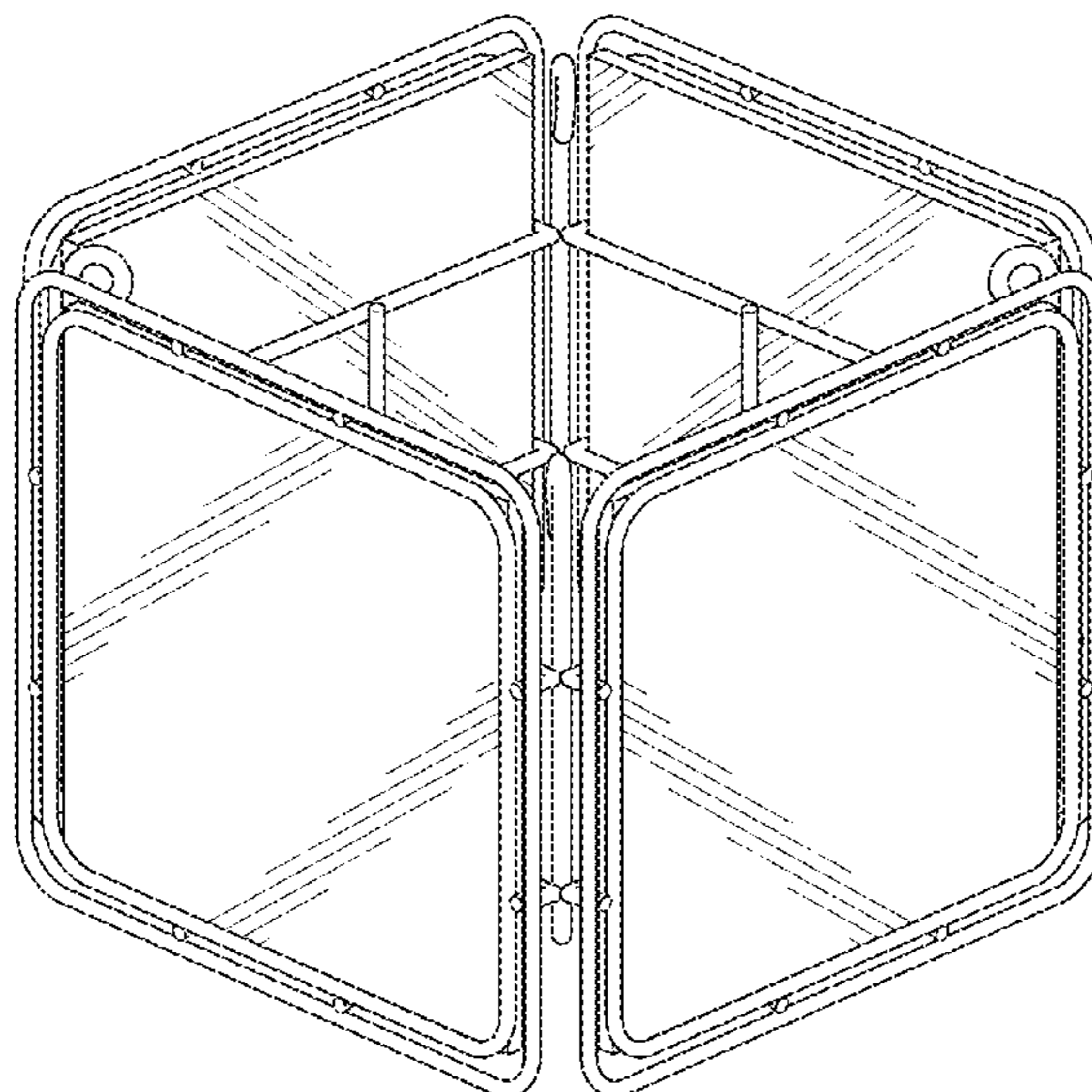
(57) **CLAIM**

The ornamental design for a hanging ornament with mirrored side panels, as shown and described.

**DESCRIPTION**

FIG. 1 is a perspective view of a hanging ornament with mirrored side panels, showing my new design;  
FIG. 2 is a front elevation view thereof;  
FIG. 3 is a rear elevation view thereof;  
FIG. 4 is a left side elevation view thereof;  
FIG. 5 is a right side elevation view thereof;  
FIG. 6 is a top plan view thereof;  
FIG. 7 is a bottom plan view thereof; and,  
FIG. 8 is a cross sectional view thereof.

**1 Claim, 8 Drawing Sheets**



(56)

**References Cited**

## U.S. PATENT DOCUMENTS

D451,684 S \* 12/2001 Vincent ..... D6/301  
D459,898 S \* 7/2002 Sanford ..... D6/302  
D491,097 S \* 6/2004 Johnson ..... D11/121  
D498,502 S \* 11/2004 Duke ..... D20/10  
D523,249 S \* 6/2006 Hoernig ..... D6/300  
D528,804 S \* 9/2006 Boergens ..... D6/301  
D553,850 S \* 10/2007 Trower ..... D3/208  
D613,338 S \* 4/2010 Marukos ..... D20/10  
D643,969 S \* 8/2011 Abate ..... D26/118  
D726,582 S \* 4/2015 Srivastava ..... D11/131  
D738,781 S \* 9/2015 Manning ..... D11/160  
D761,157 S \* 7/2016 Manning ..... D11/160  
D789,829 S \* 6/2017 Nemeth ..... D11/121  
D789,830 S \* 6/2017 Nemeth ..... D11/121  
D791,639 S \* 7/2017 Nemeth ..... D11/121  
D803,469 S \* 11/2017 Rauta ..... D26/110  
D854,343 S \* 7/2019 Altemimei ..... D6/300  
D878,771 S \* 3/2020 Gelman ..... D6/300

## OTHER PUBLICATIONS

Elegant Square Mirror Ornament, <https://www.ebay.com/itm/174333379073?chn=ps&norover=1&mkevt=1&mkrid=711-213727-13078-0&mkcid=2&itemid=174333379073&targetid=4581183927179145&device=c&mktype=&googleloc=&poi=&campaignid=418233787&mkgroupid=1241348861725295&rlsarget=pla-4581183927179145&abclid,2021> (Year: 2021).\*

\* cited by examiner

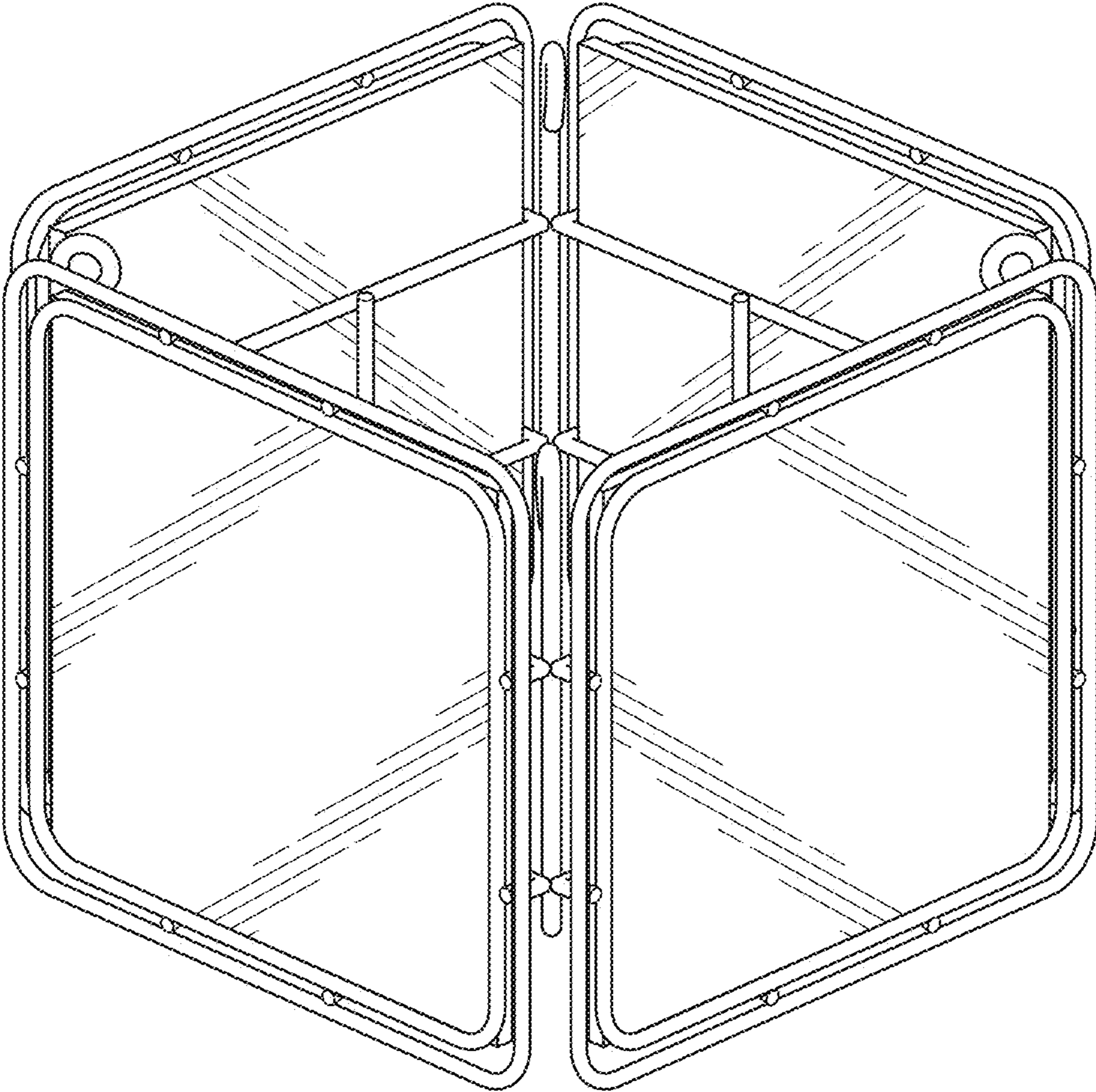


FIG. 1

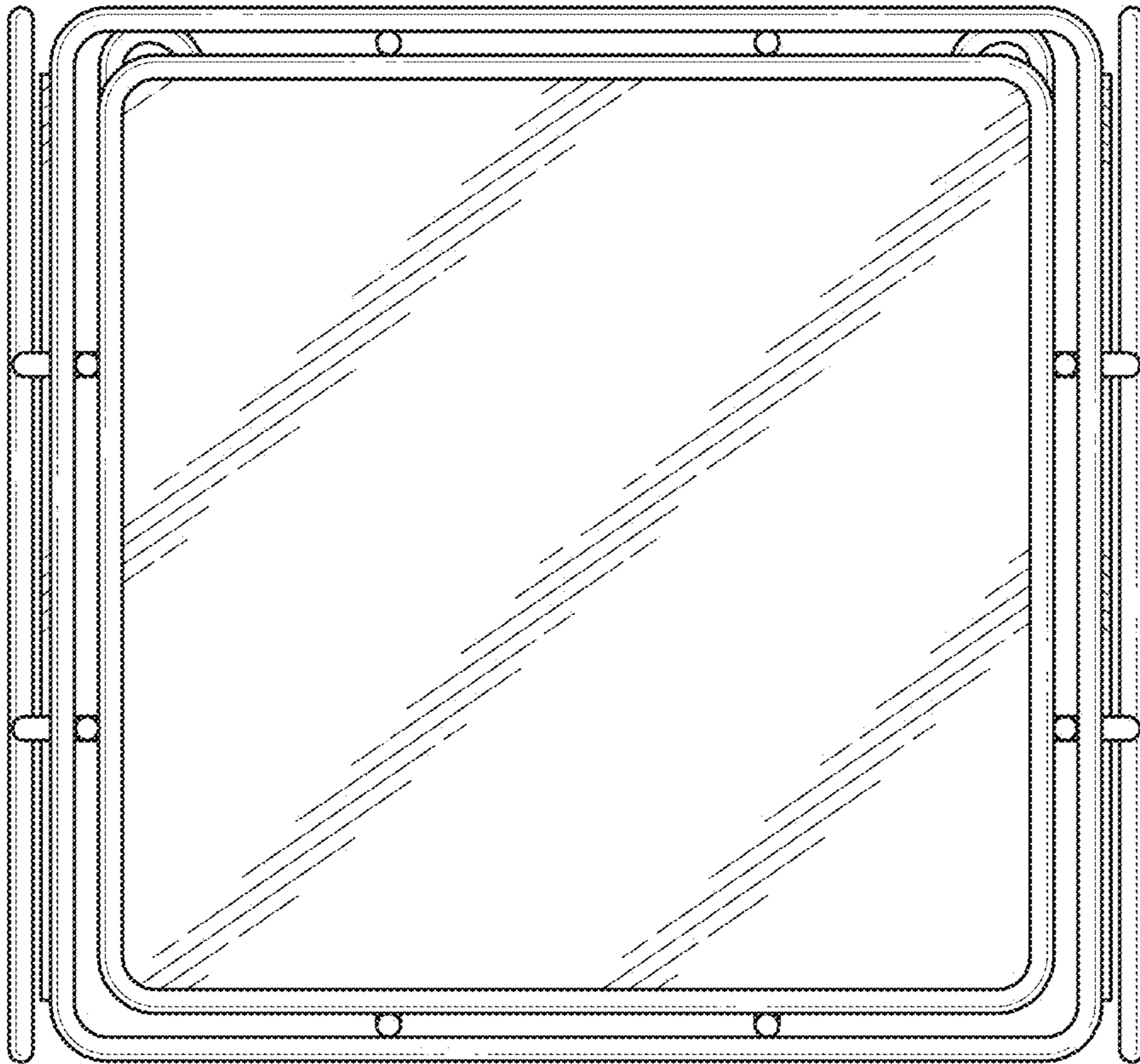


FIG. 2

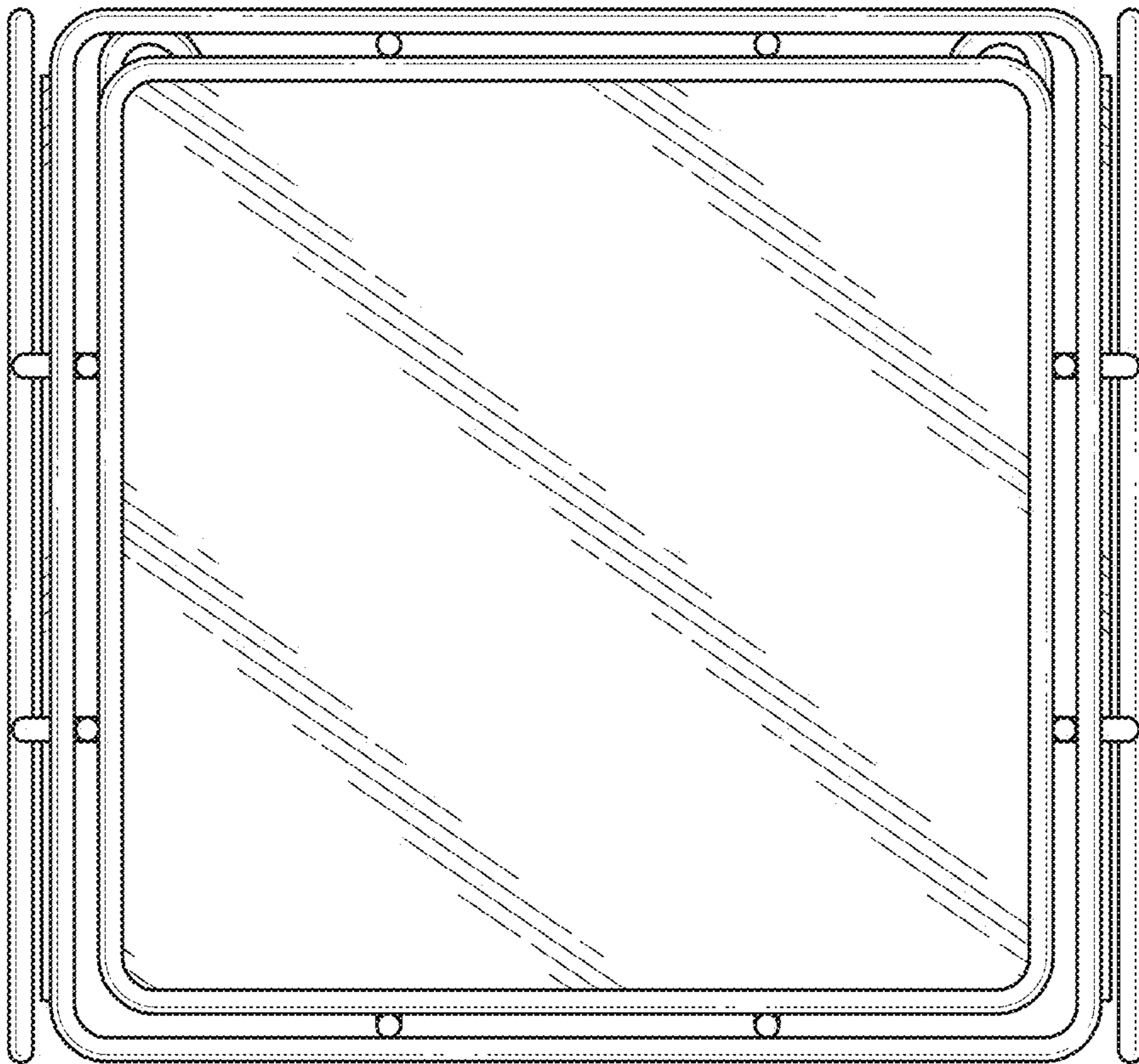


FIG. 3

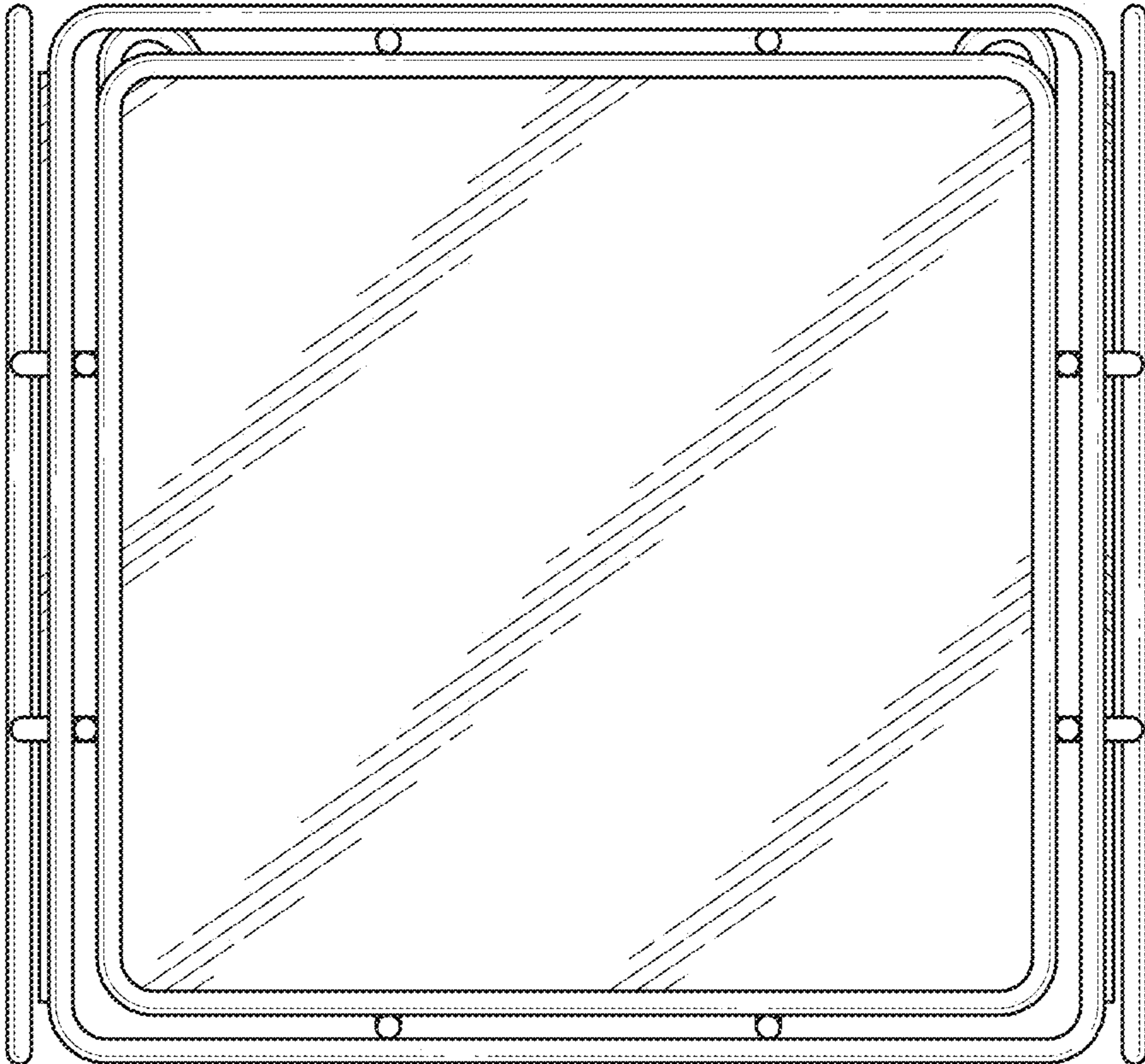


FIG. 4

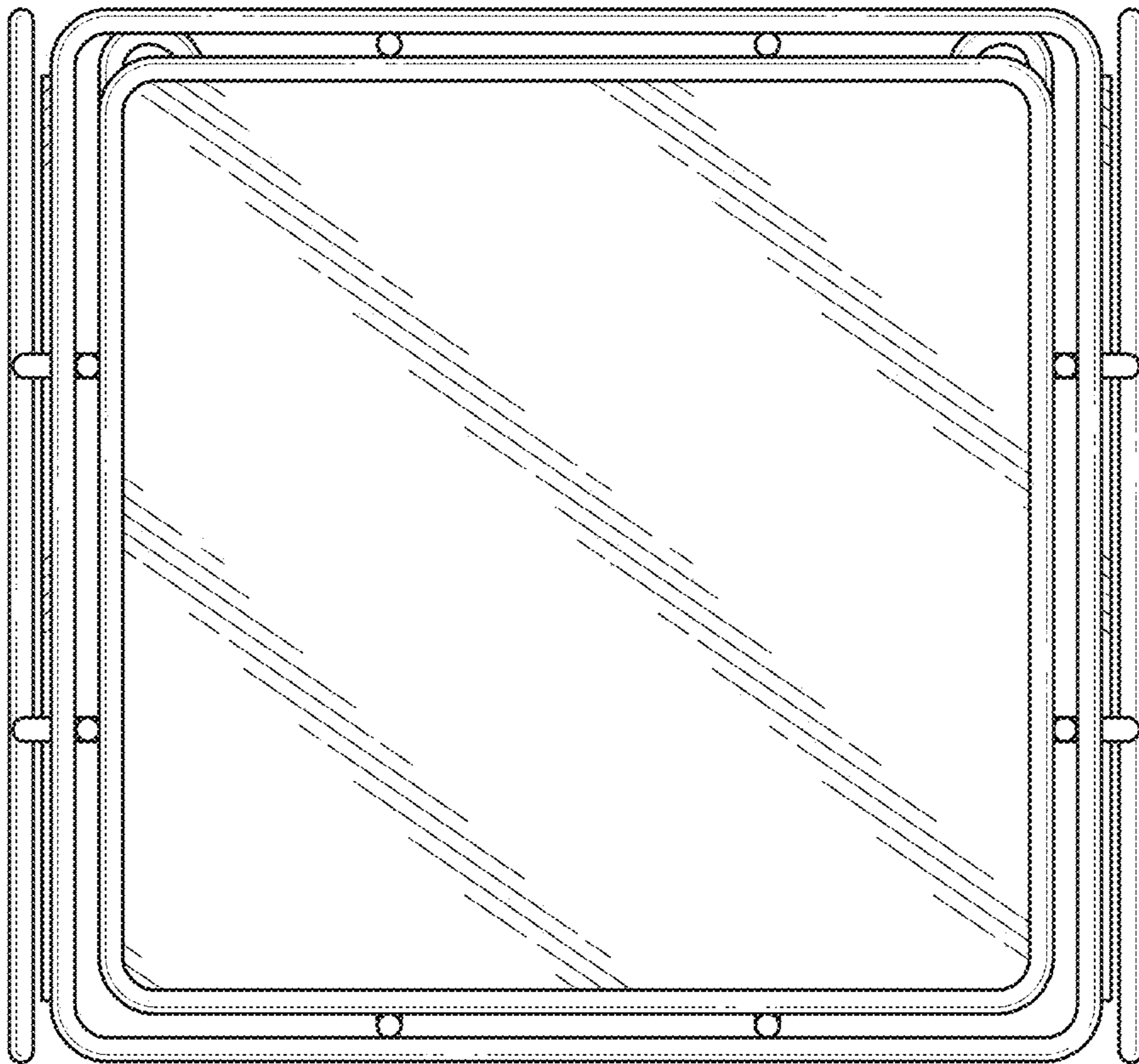


FIG. 5

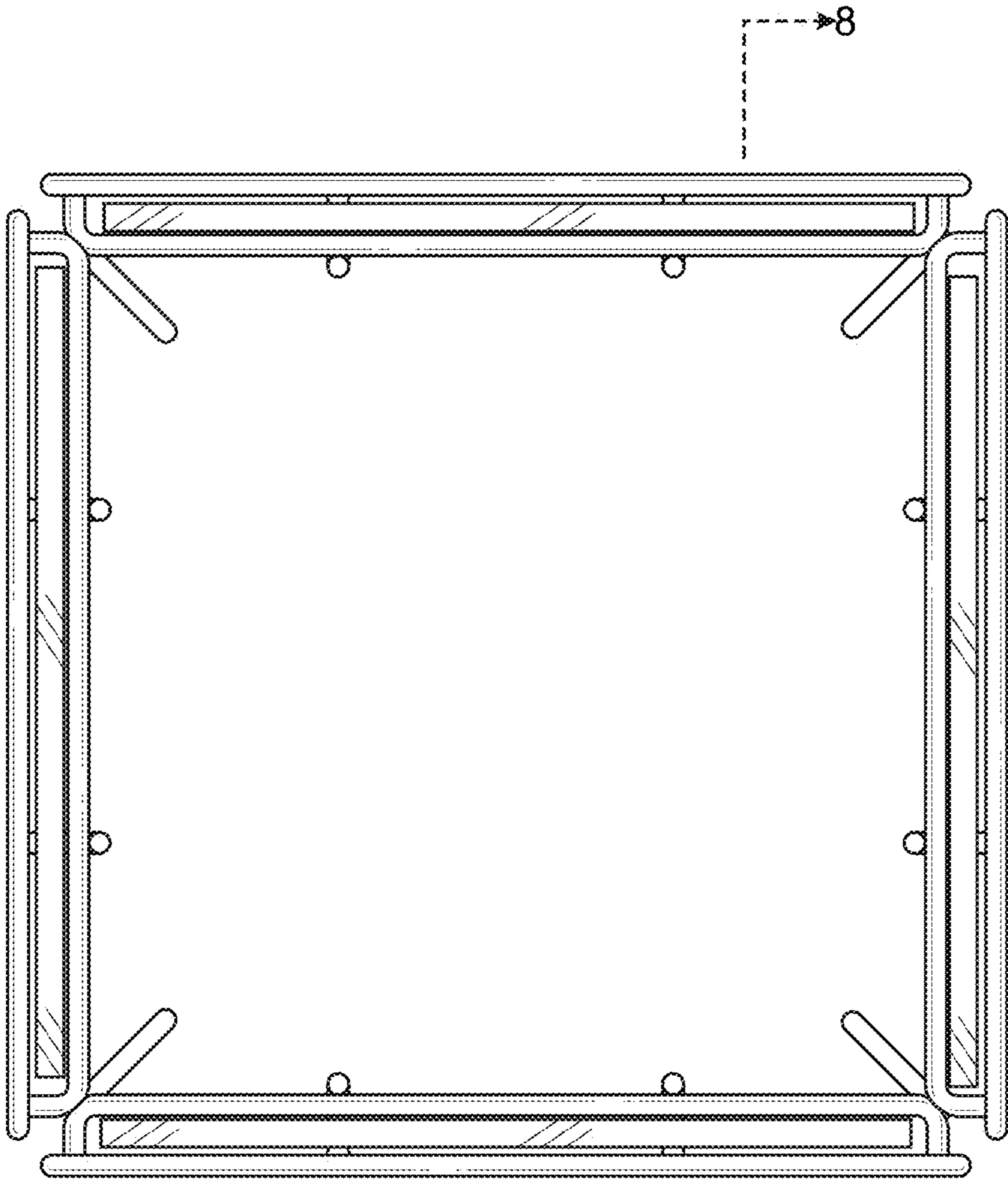


FIG. 6



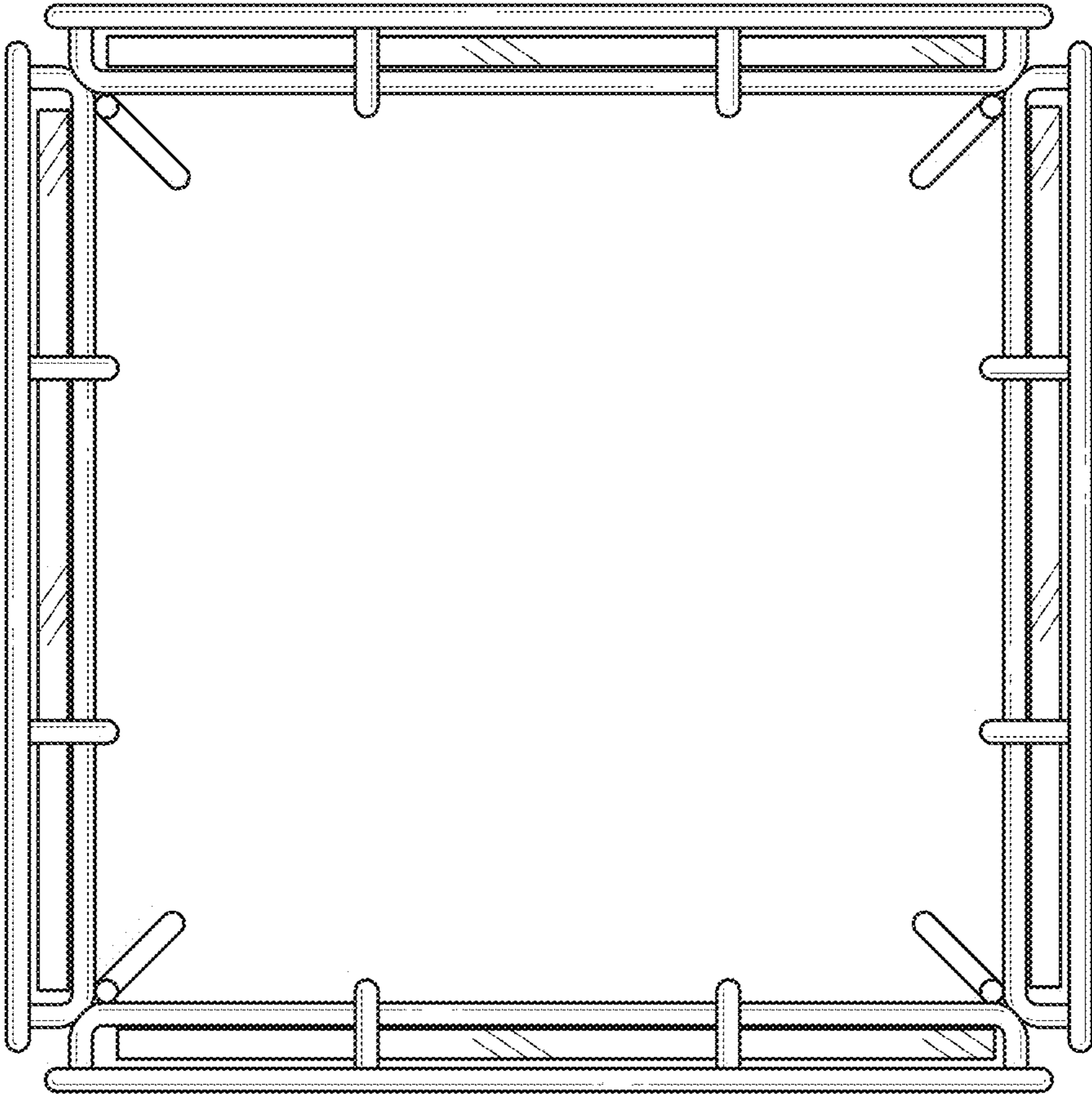


FIG. 7

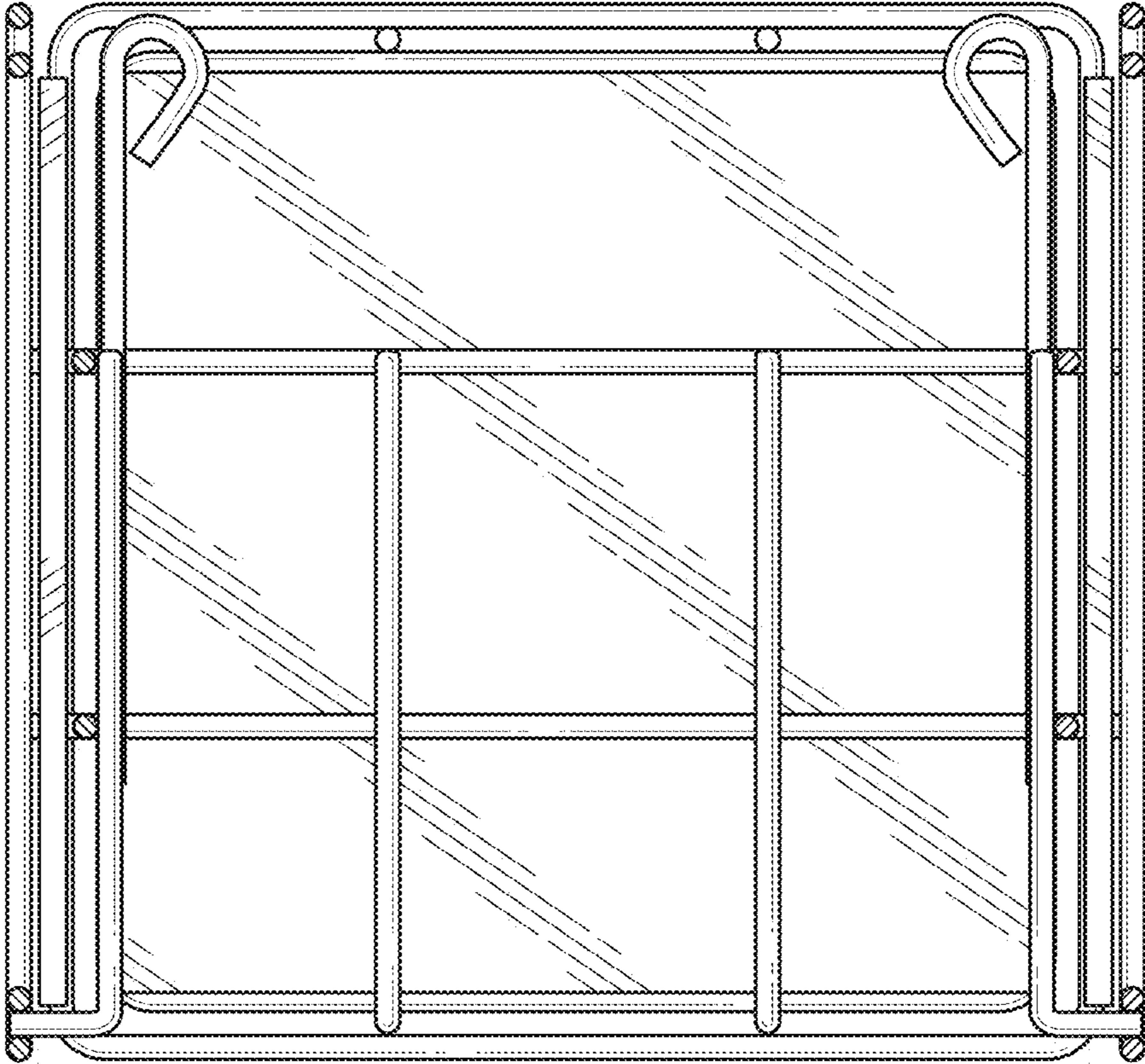


FIG. 8