



US00D928017S

(12) **United States Design Patent** (10) **Patent No.:** **US D928,017 S**
Sivriere (45) **Date of Patent:** **** Aug. 17, 2021**

(54) **ARTICLE OF JEWELRY**

(56) **References Cited**

(71) Applicant: **RICHEMONT INTERNATIONAL SA, Villars-sur-Glane (CH)**

U.S. PATENT DOCUMENTS

(72) Inventor: **Stéphanie Sivriere, Geneva (CH)**

D105,901 S *	8/1937	Schwartz	D11/80
D257,023 S *	9/1980	Barr	D11/43
D257,024 S *	9/1980	Barr	D11/43
D265,894 S *	8/1982	Barr	D11/43
D373,742 S *	9/1996	Janice	D11/40
D421,728 S *	3/2000	Sutton	D11/56
D456,300 S *	4/2002	Brisk	D11/79
D635,046 S *	3/2011	Dobashi	D11/86
D640,585 S *	6/2011	Nolan	D11/43

(73) Assignee: **RICHEMONT INTERNATIONAL SA, Villars-sur-Glane (CH)**

(**) Term: **15 Years**

* cited by examiner

(21) Appl. No.: **29/733,513**

Primary Examiner — Llorelys Martinez

(22) Filed: **May 4, 2020**

(74) *Attorney, Agent, or Firm* — Oliff PLC

(30) **Foreign Application Priority Data**

(57) **CLAIM**

Mar. 27, 2020 (WO) WIPO93644

The ornamental design for an article of jewelry, as shown and described.

(51) **LOC (13) Cl.** **11-01**

DESCRIPTION

(52) **U.S. Cl.**

USPC **D11/43**

(58) **Field of Classification Search**

USPC D11/1, 2, 40-43, 79, 86, 87, 88, 91, 92

CPC A44C 7/00; A44C 7/001; A44C 7/002;

A44C 7/003; A44C 7/004; A44C 7/005;

A44C 7/006; A44C 7/007; A44C 7/008;

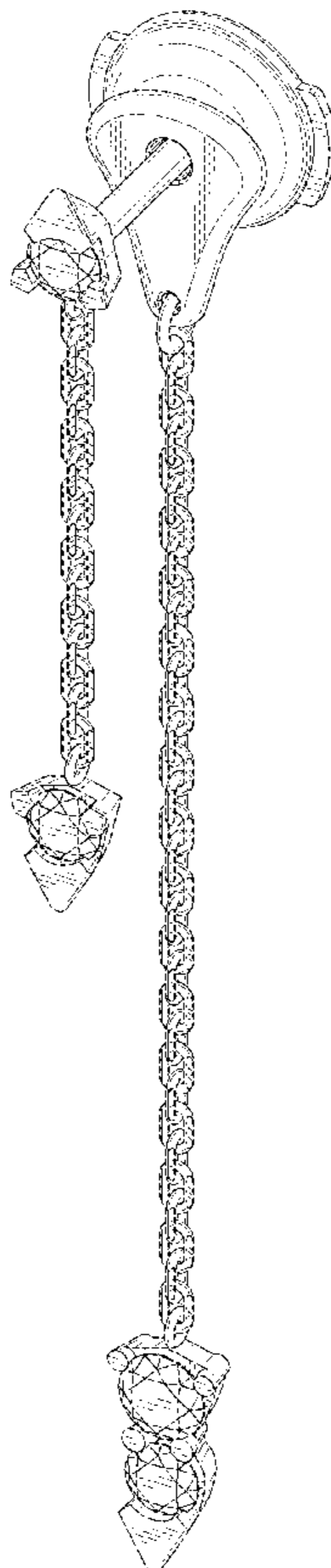
A44C 7/009; A44C 1/00; A44C 15/001;

A44C 15/0035; A44C 17/02

FIG. 1 is a front, right-side, top perspective view of the article of jewelry, showing the new design; FIG. 2 is a front elevational view thereof; FIG. 3 is a rear-elevational view thereof; FIG. 4 is a left-side elevational view thereof; FIG. 5 is a right-side elevational view thereof; FIG. 6 is a top plan view thereof; and, FIG. 7 is a bottom plan view thereof.

See application file for complete search history.

1 Claim, 6 Drawing Sheets



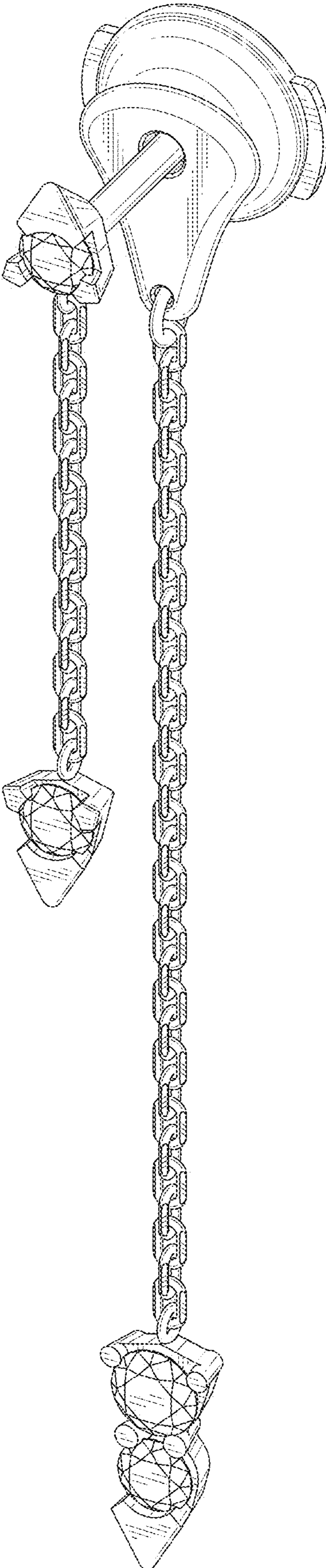


FIG. 1

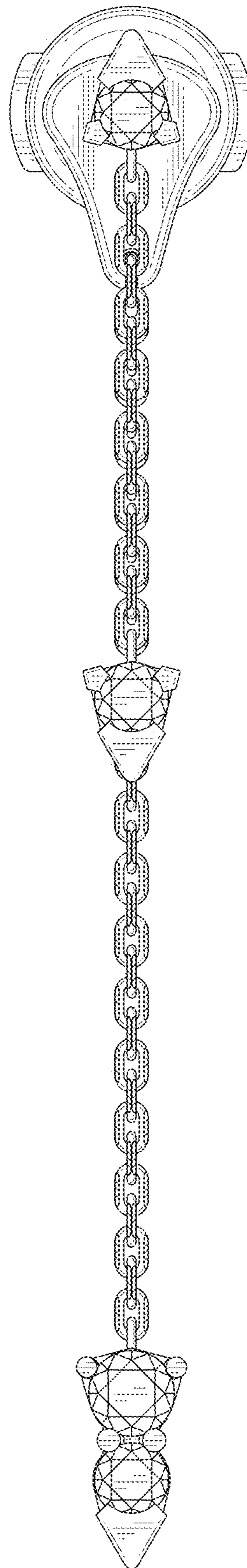


FIG. 2

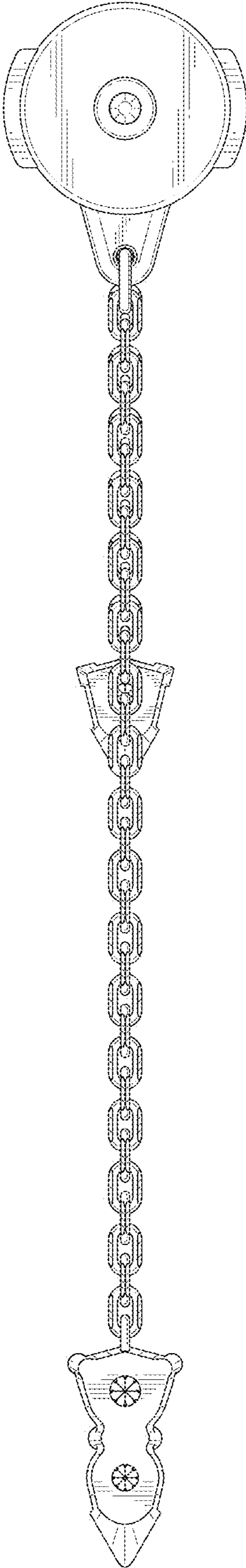


FIG. 3

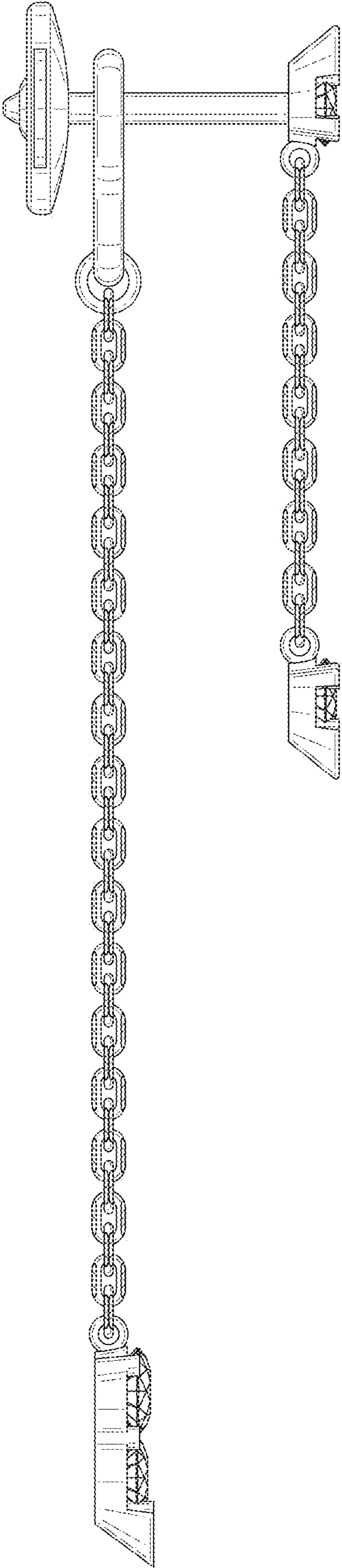


FIG. 4

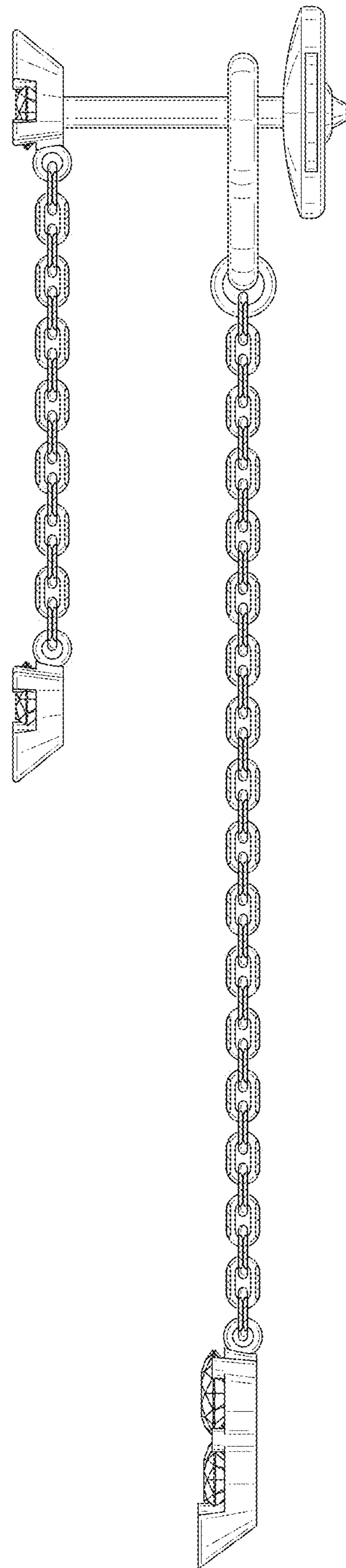


FIG. 5

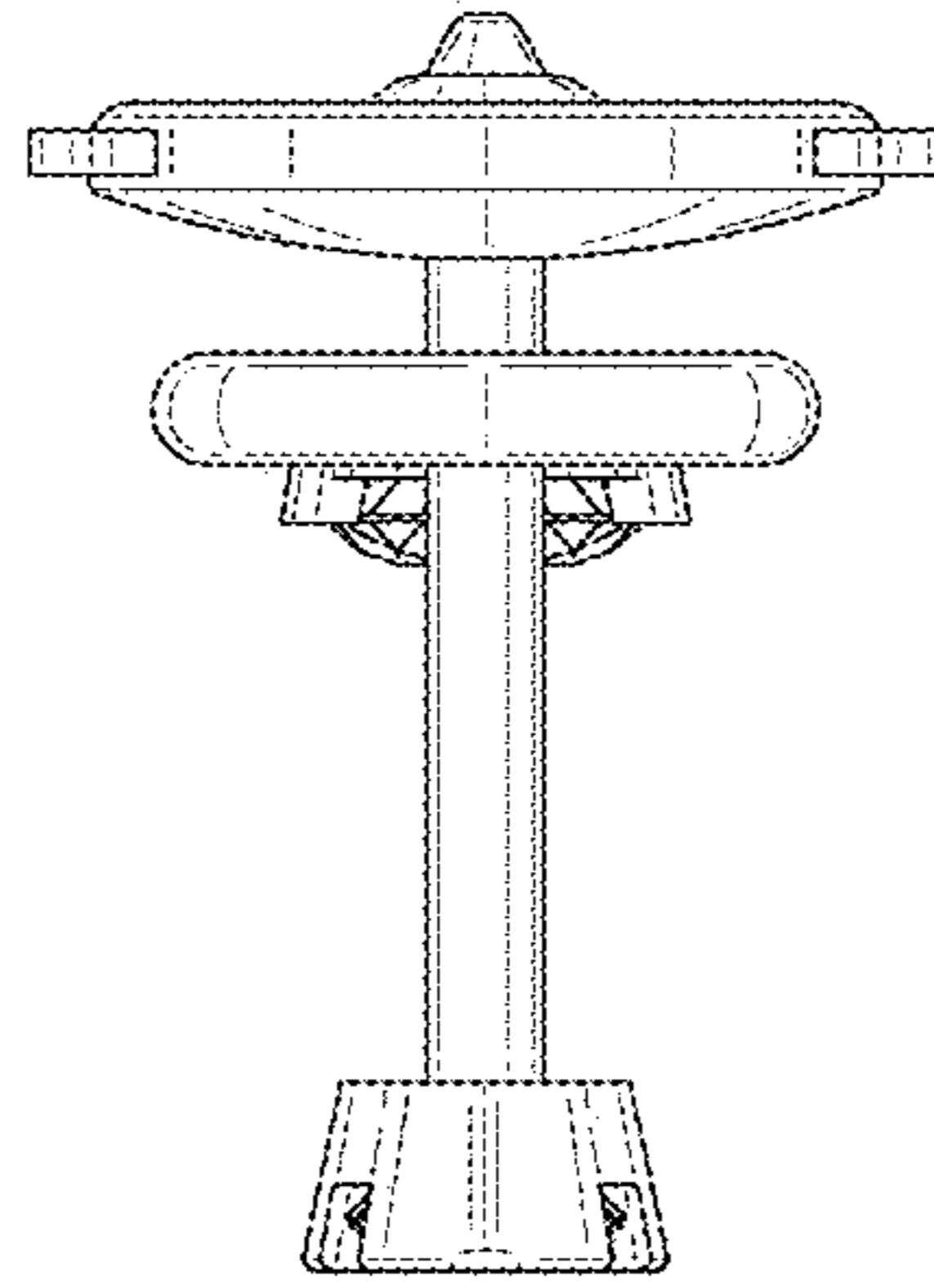


FIG. 6

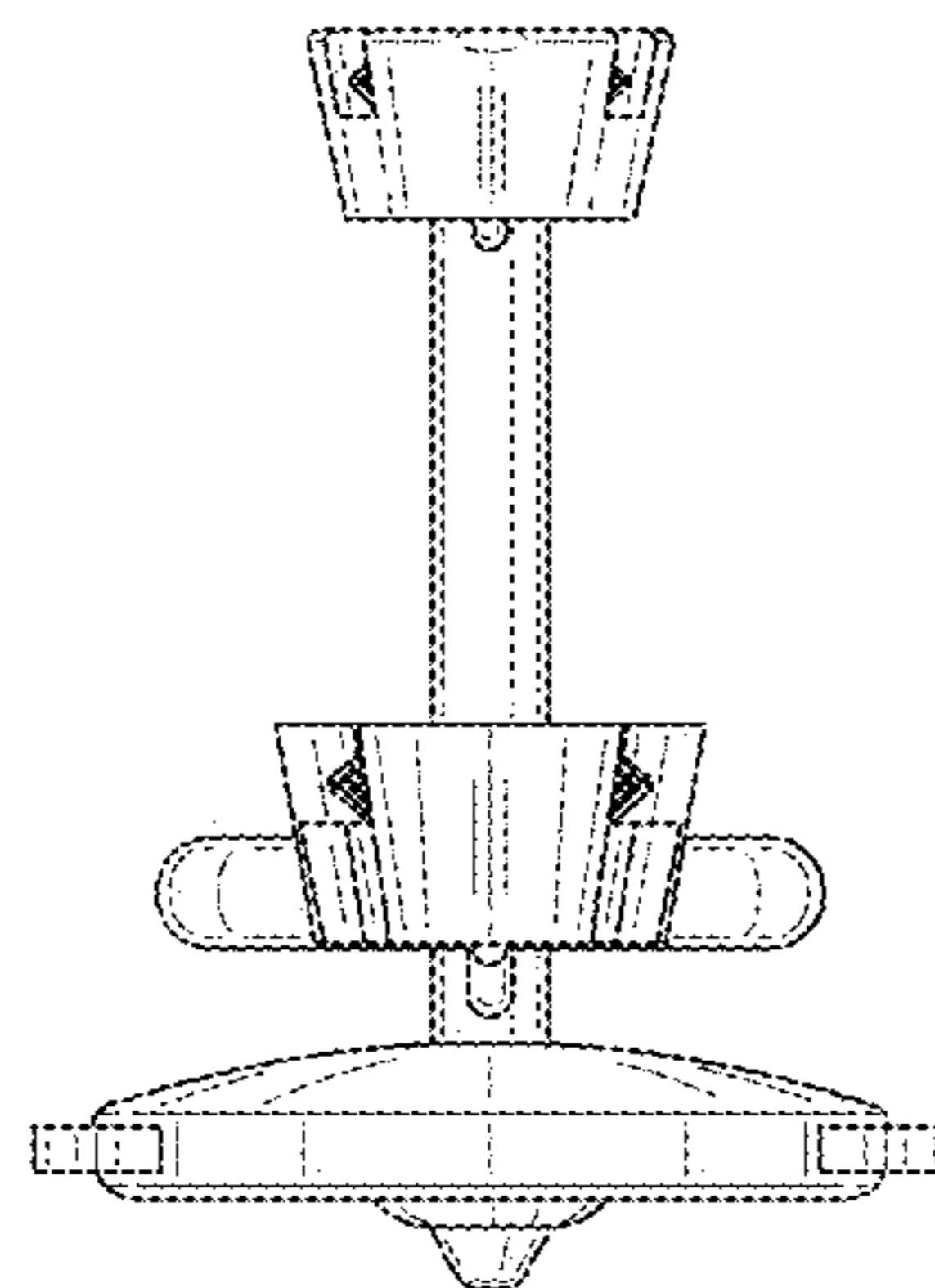


FIG. 7