



US00D928015S

(12) **United States Design Patent** (10) **Patent No.:** **US D928,015 S**
Coin (45) **Date of Patent:** **** Aug. 17, 2021**

- (54) **ARTICLE OF JEWELRY**
- (71) Applicant: **ROBERTO COIN S.p.A.**, Vicenza (IT)
- (72) Inventor: **Roberto Coin**, Vicenza (IT)
- (73) Assignee: **ROBERTO COIN S.p.A.**
- (**) Term: **15 Years**
- (21) Appl. No.: **29/771,081**
- (22) Filed: **Feb. 19, 2021**

- (56) **References Cited**
- U.S. PATENT DOCUMENTS
- | | | | | | | |
|-----------|---|---|---------|-----------|-------|----------------------|
| D133,402 | S | * | 8/1942 | Boucher | | D11/27 |
| D225,081 | S | * | 11/1972 | Mechanic | | D11/28 |
| D273,771 | S | * | 5/1984 | Bulgari | | D11/34 |
| 5,188,679 | A | * | 2/1993 | Kretchmer | | A44C 9/00
148/538 |
| D430,814 | S | * | 9/2000 | Laufer | | D11/26 |
| D445,717 | S | * | 7/2001 | Haquet | | D11/27 |
| D454,314 | S | * | 3/2002 | Stewart | | D11/27 |
- (Continued)

Related U.S. Application Data

- (62) Division of application No. 29/617,565, filed on Sep. 14, 2017.

Foreign Application Priority Data

- Mar. 17, 2017 (EM) 003806223
- Jun. 23, 2017 (EM) 004064244

- (51) **LOC (13) Cl.** **11-01**
- (52) **U.S. Cl.**
USPC **D11/4; D11/27**

- (58) **Field of Classification Search**
USPC D11/1-25, 26-39
CPC A44C 5/00; A44C 5/0007; A44C 5/0014;
A44C 5/0023; A44C 5/003; A44C
5/0038; A44C 5/0046; A44C 5/0053;
A44C 5/0061; A44C 5/0069; A44C
5/0076; A44C 5/0084; A44C 5/0092;
A44C 5/02; A44C 5/022; A44C 5/025;
A44C 5/027; A44C 9/00; A44C 9/0007;
A44C 9/0015; A44C 9/0023; A44C
9/003; A44C 9/0038; A44C 9/0046; A44C
9/0053; A44C 9/0061; A44C 9/0069;
A44C 9/0076; A44C 9/0084; A44C
9/0092; A44C 9/02

See application file for complete search history.

- OTHER PUBLICATIONS
- [Online] "Roberto Coin . . ." <https://www.eisemanjewels.com/roberto-coin-sauvage-prive-18k-rose-and-white-gold-with-black-jade-and-diamonds-bypass-ring-130-00450.html>. Retrieved May 6, 2021.*

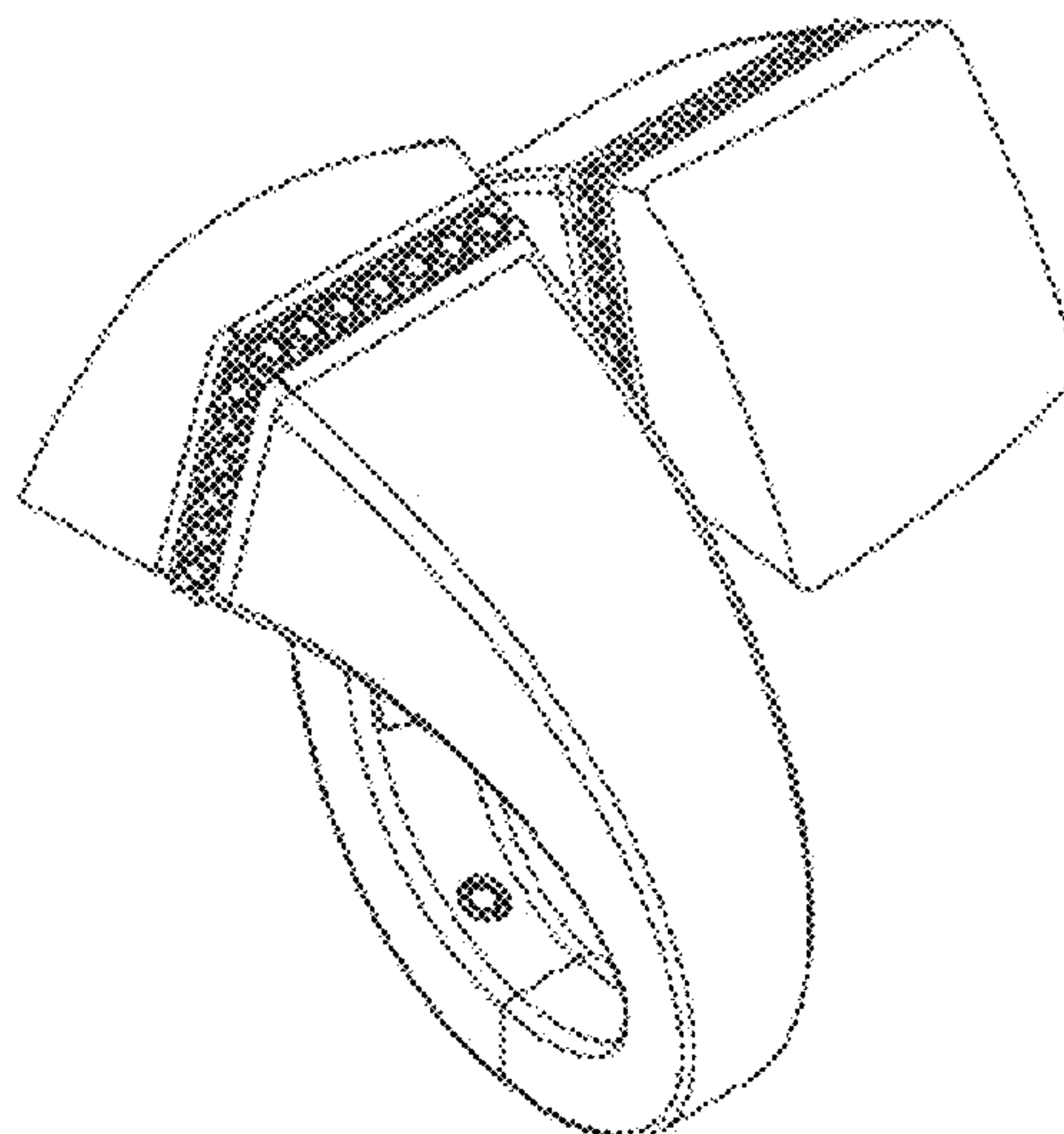
Primary Examiner — Melanie Pellegrini
(74) *Attorney, Agent, or Firm* — The Belles Group, P.C.

- (57) **CLAIM**
The ornamental design for an article of jewelry, as shown and described.

DESCRIPTION

FIG. 1 is a perspective view of an article of jewelry in accordance with a first embodiment of the new design;
 FIG. 2 is a left side view thereof;
 FIG. 3 is a right side view thereof;
 FIG. 4 is a front view thereof;
 FIG. 5 is a rear view thereof;
 FIG. 6 is a top view thereof;
 FIG. 7 is a bottom view thereof;
 FIG. 8 is a perspective view of an article of jewelry in accordance with a second embodiment of the new design;
 FIG. 9 is a left side view thereof;
 FIG. 10 is a right side view thereof;
 FIG. 11 is a front view thereof;
 FIG. 12 is a rear view thereof;
 FIG. 13 is a top view thereof; and,
 FIG. 14 is a bottom view thereof.

1 Claim, 14 Drawing Sheets



(56)

References Cited

U.S. PATENT DOCUMENTS

D749,979	S	*	2/2016	Traglio	D11/27
D780,013	S	*	2/2017	Silvestri	D11/28
D808,848	S	*	1/2018	Parvex	D11/27
D815,973	S	*	4/2018	Coin	D11/5
D830,218	S	*	10/2018	Silvestri	D11/4
D840,861	S	*	2/2019	Lopez Montoya	D11/5
D847,014	S	*	4/2019	Silvestri	D11/28
D896,680	S	*	9/2020	Sivriere	D11/34

* cited by examiner

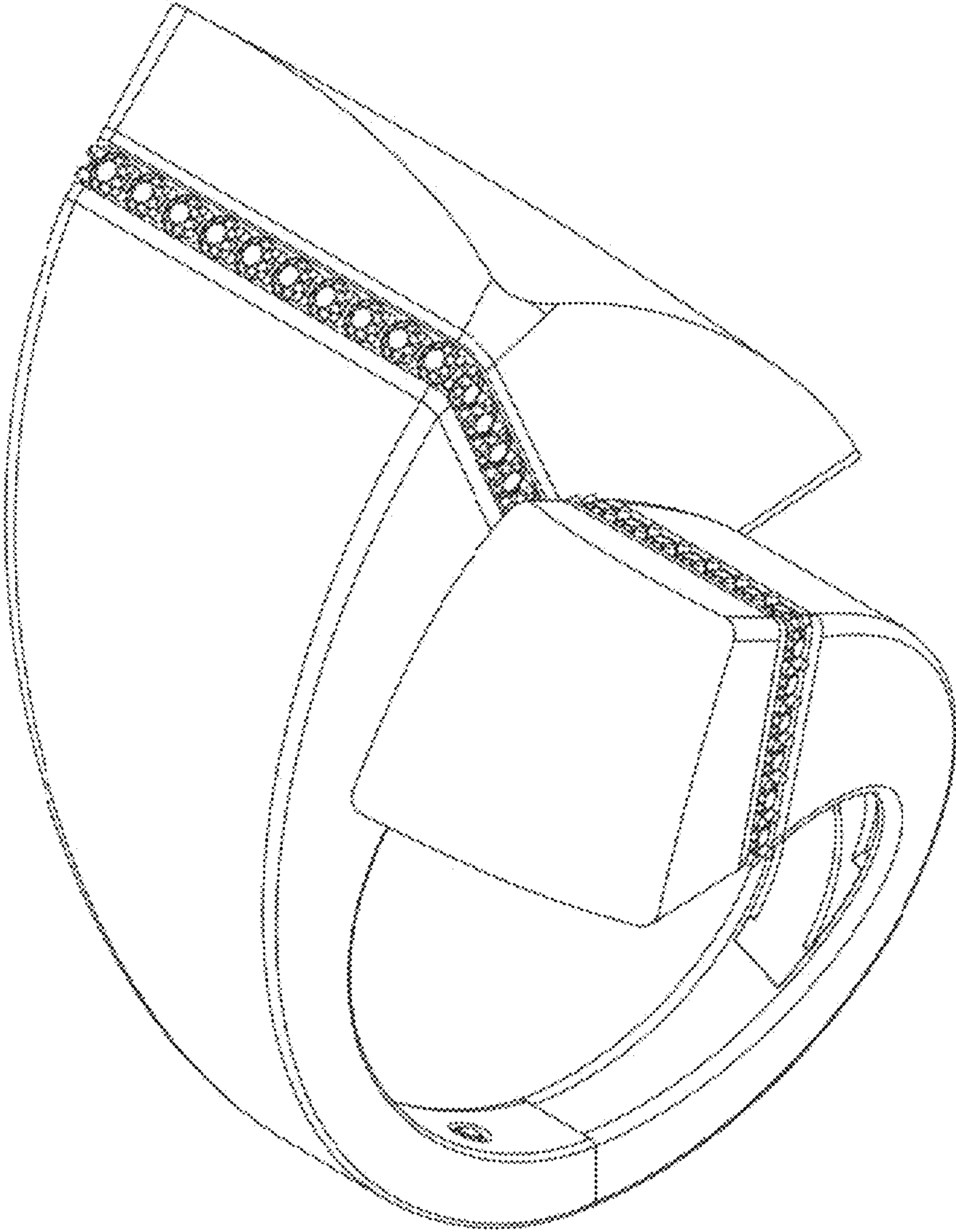


FIG. 1

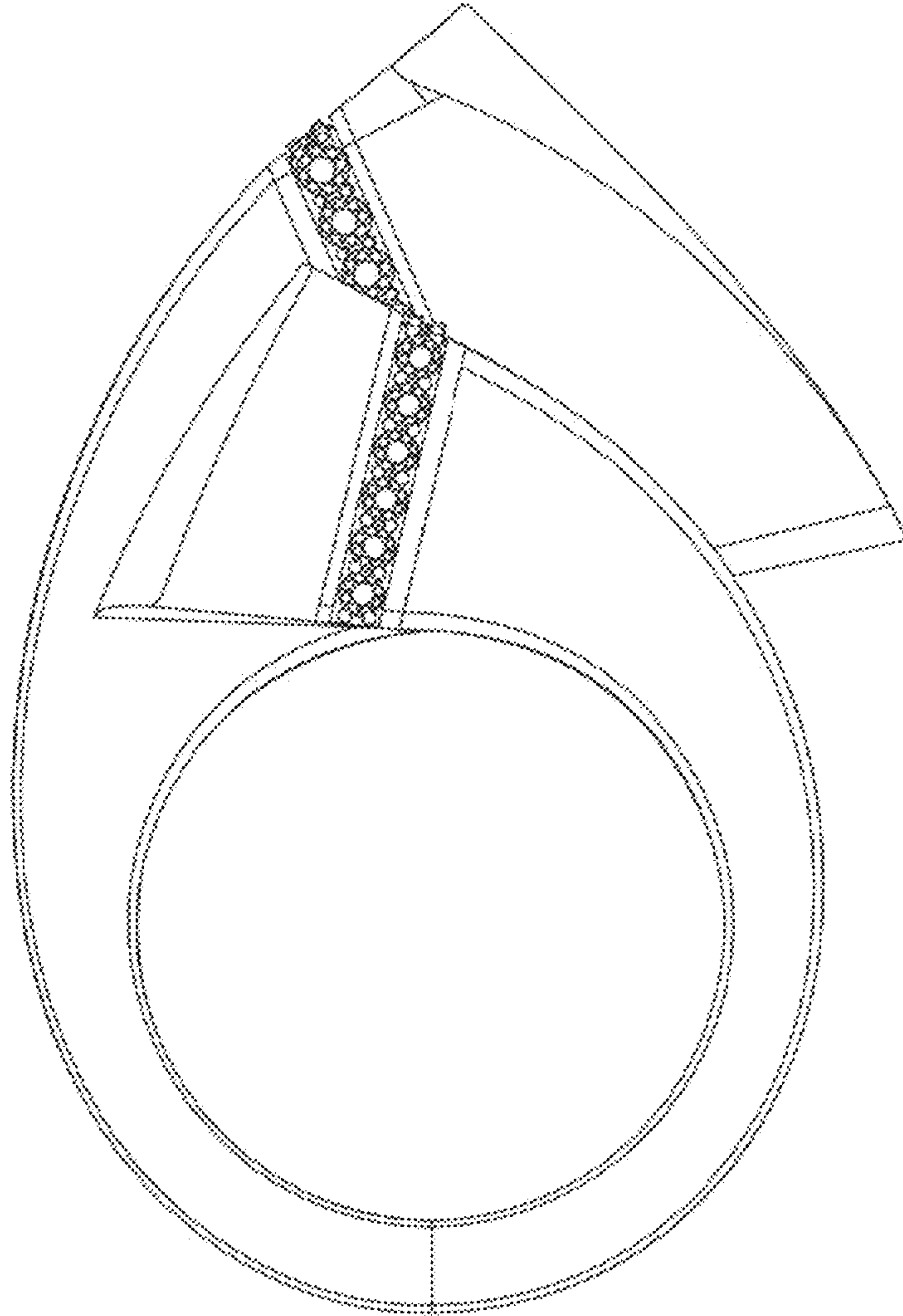


FIG. 2

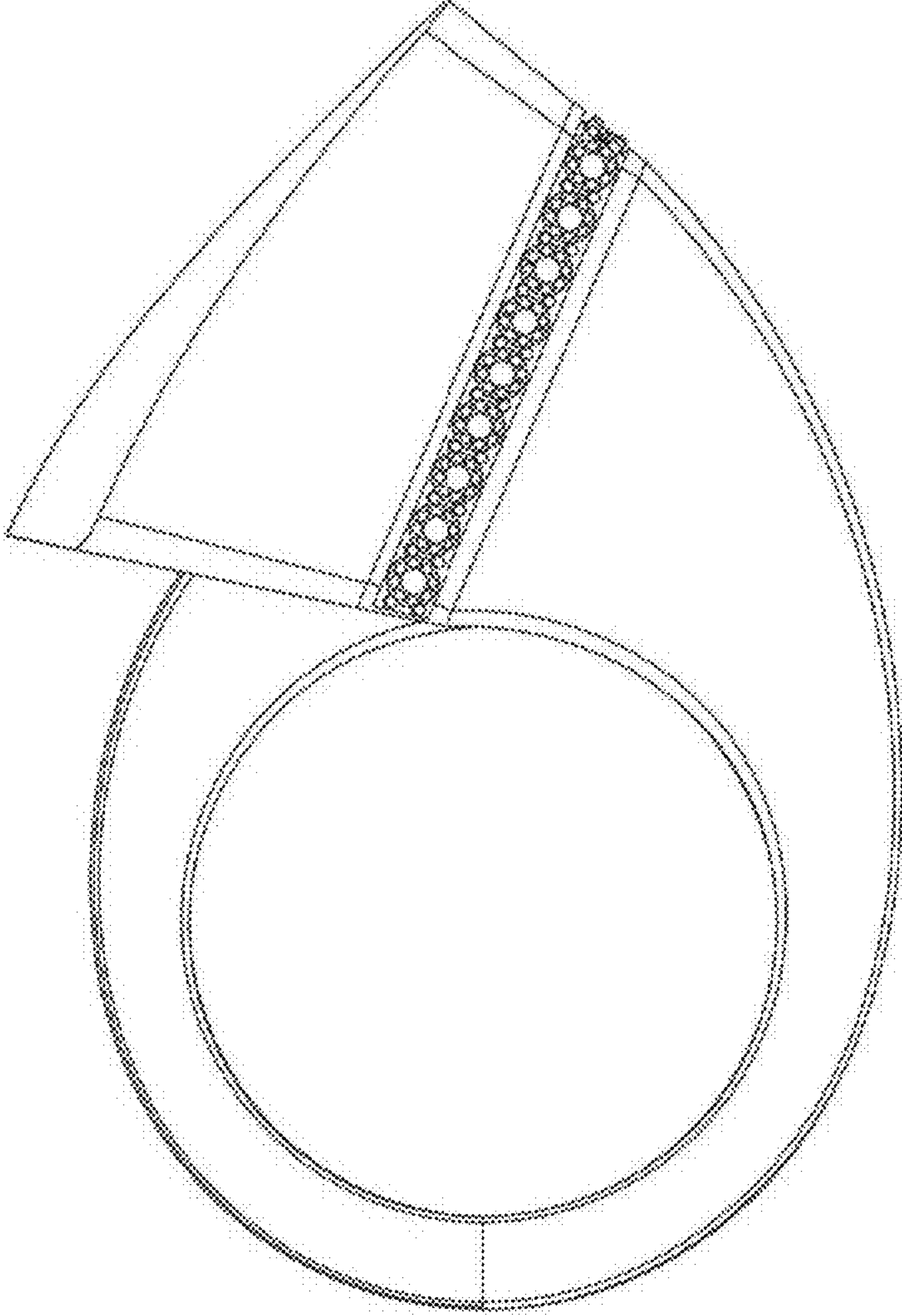


FIG. 3

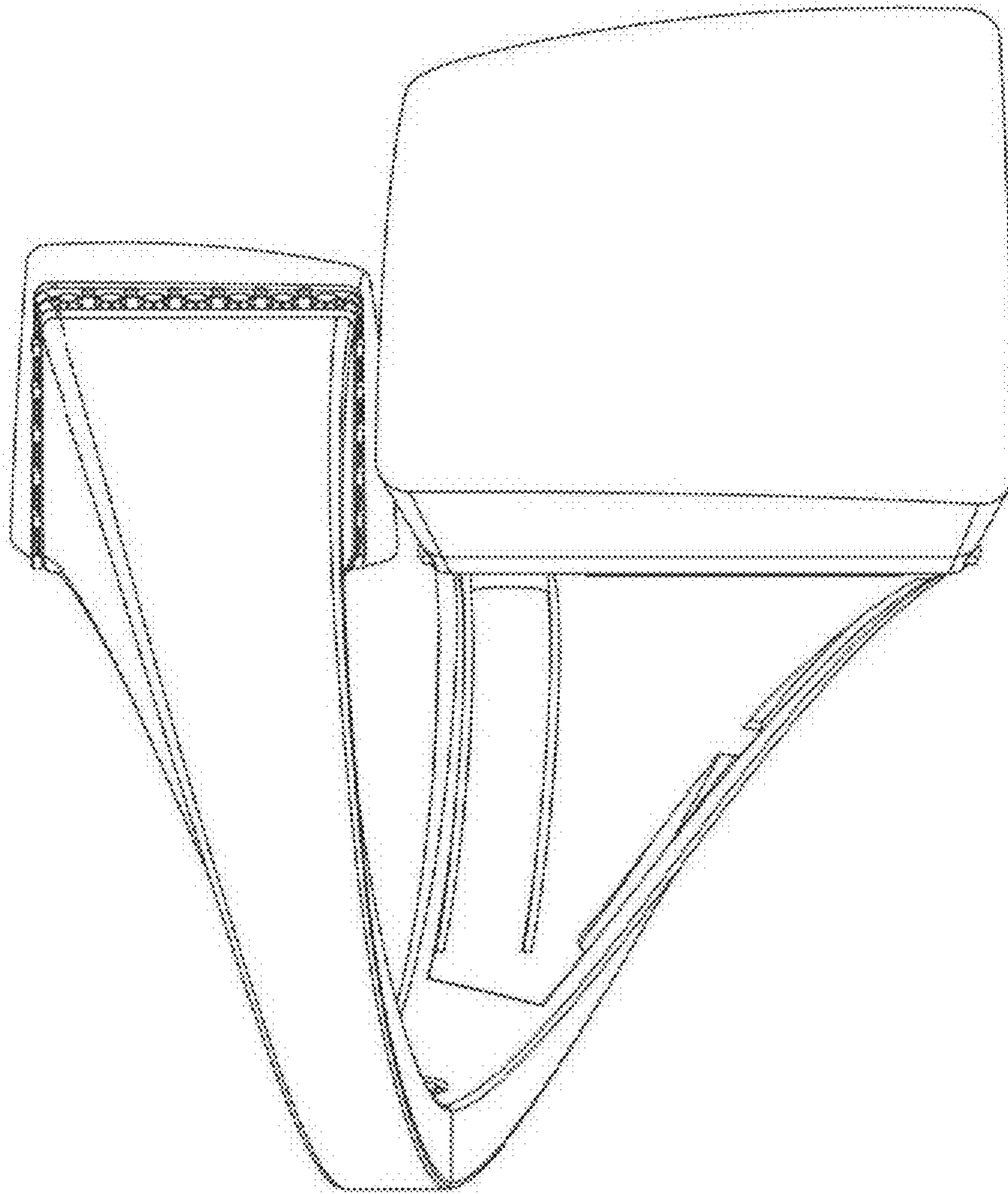


FIG. 4

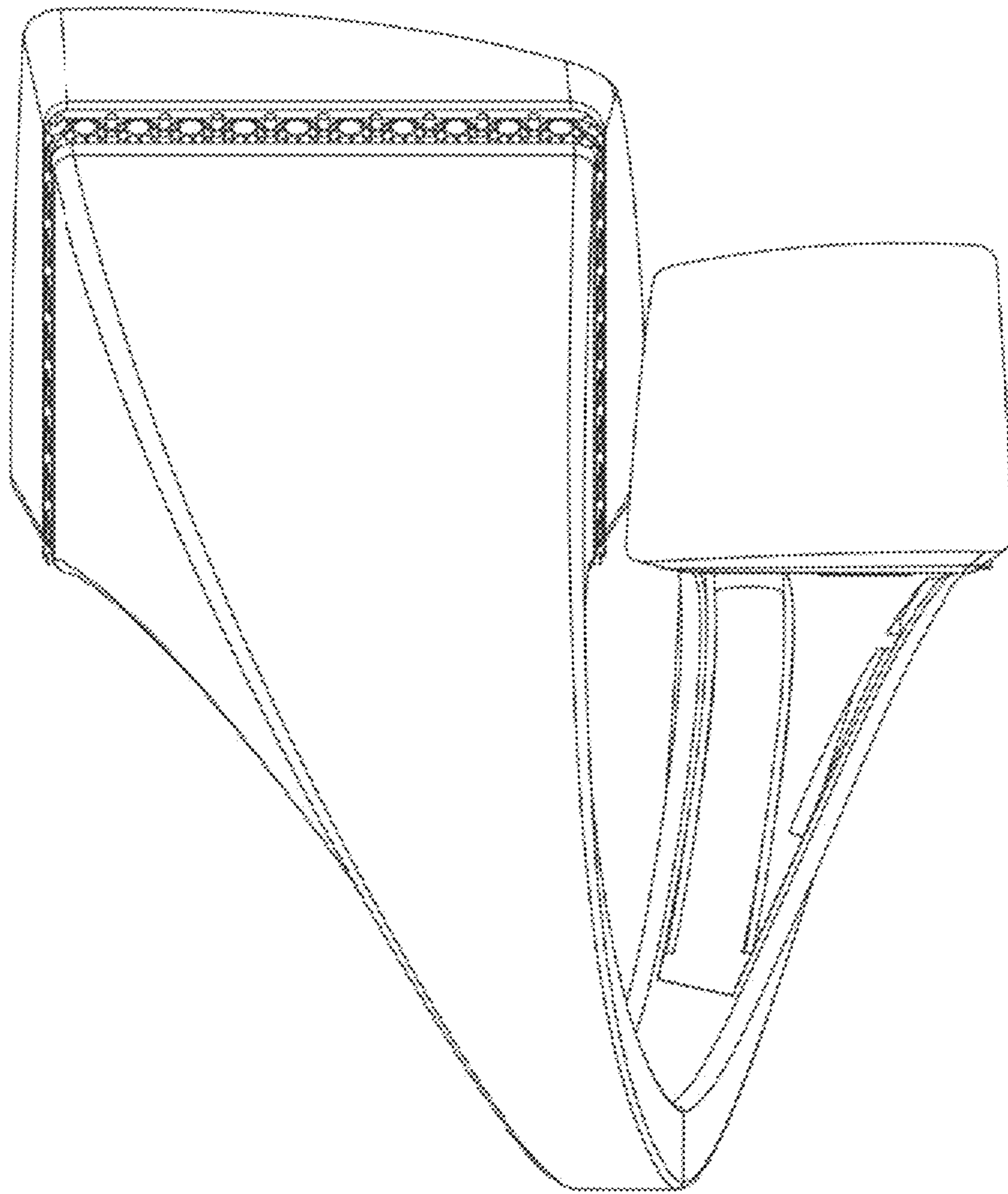


FIG. 5

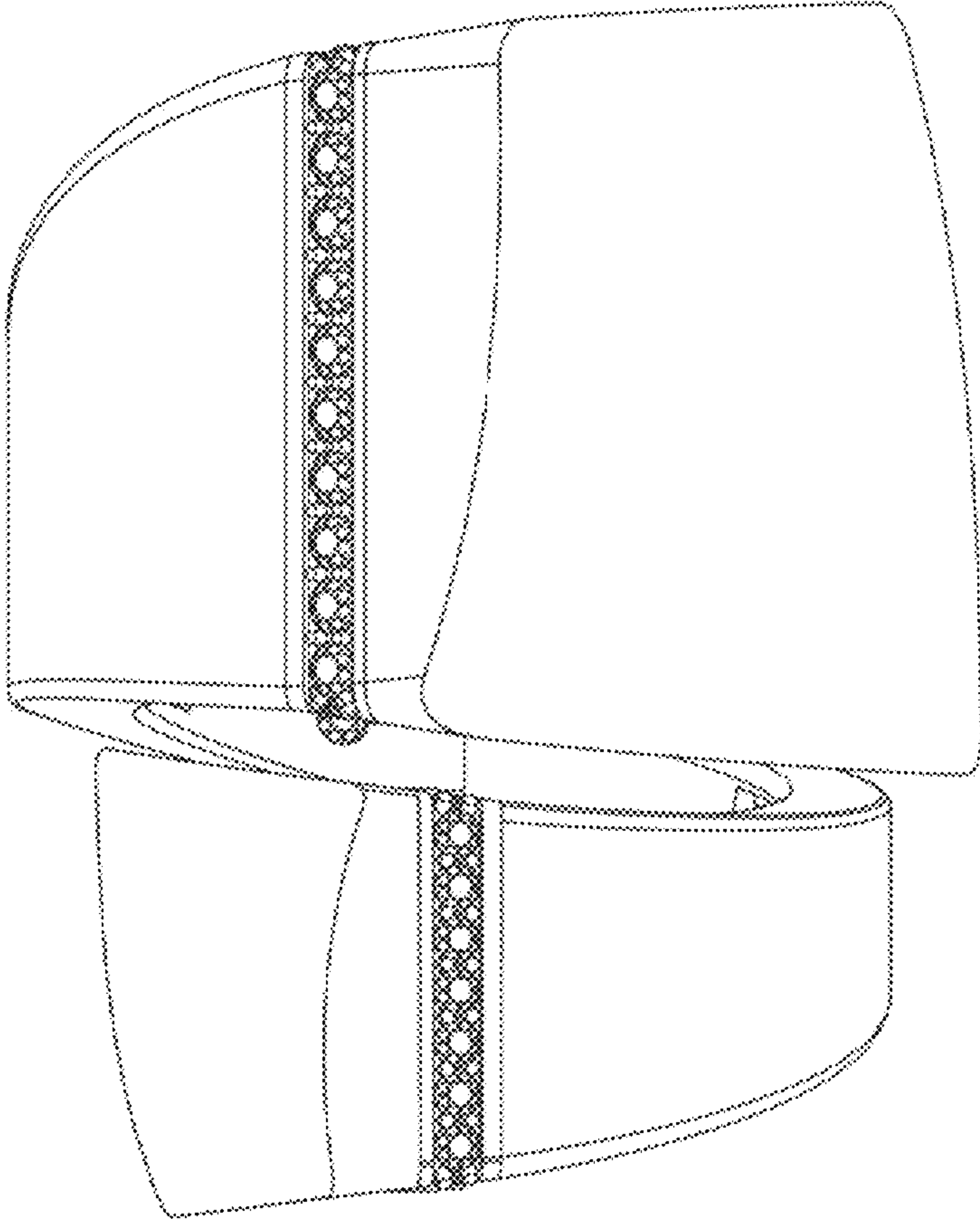


FIG. 6

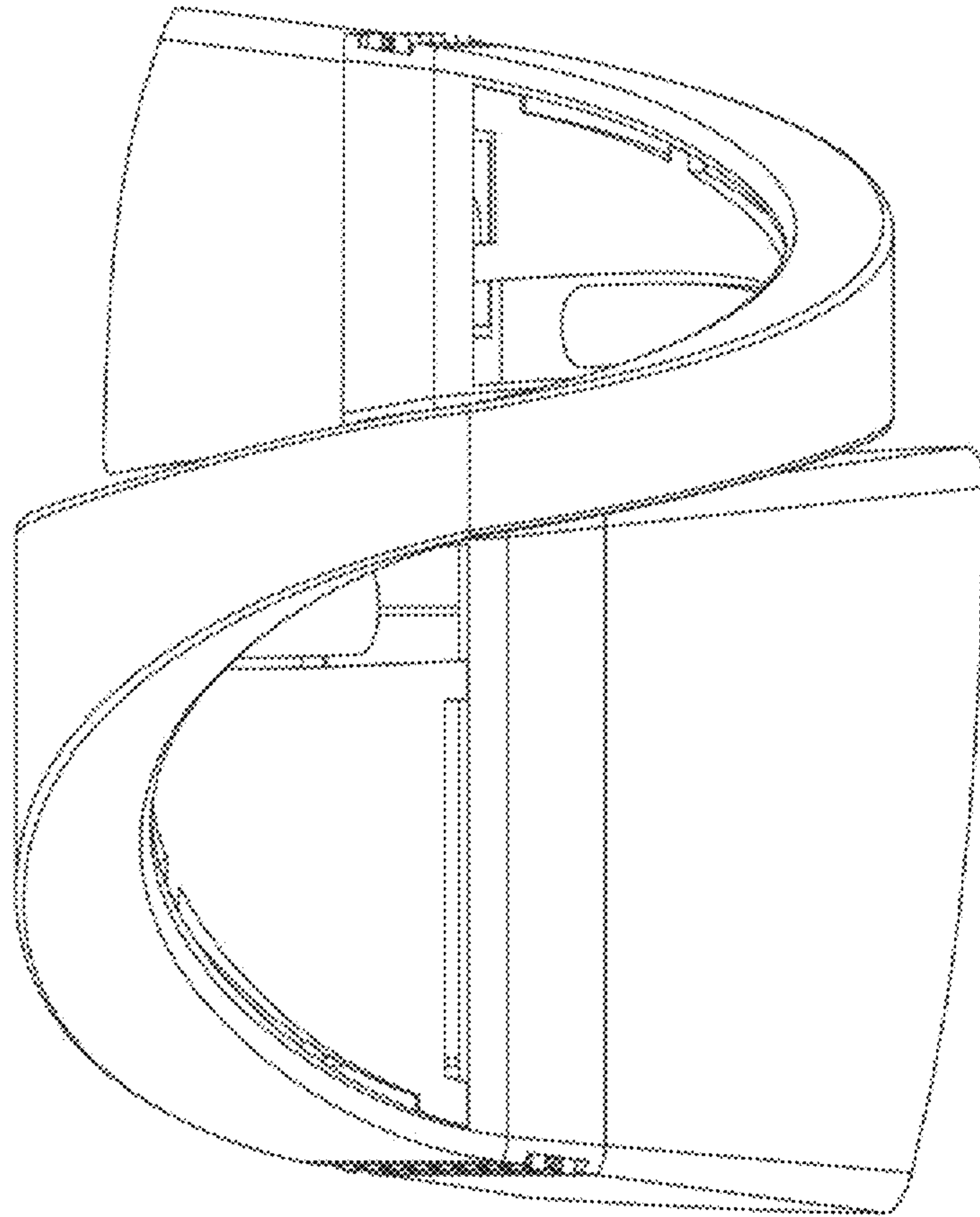


FIG. 7

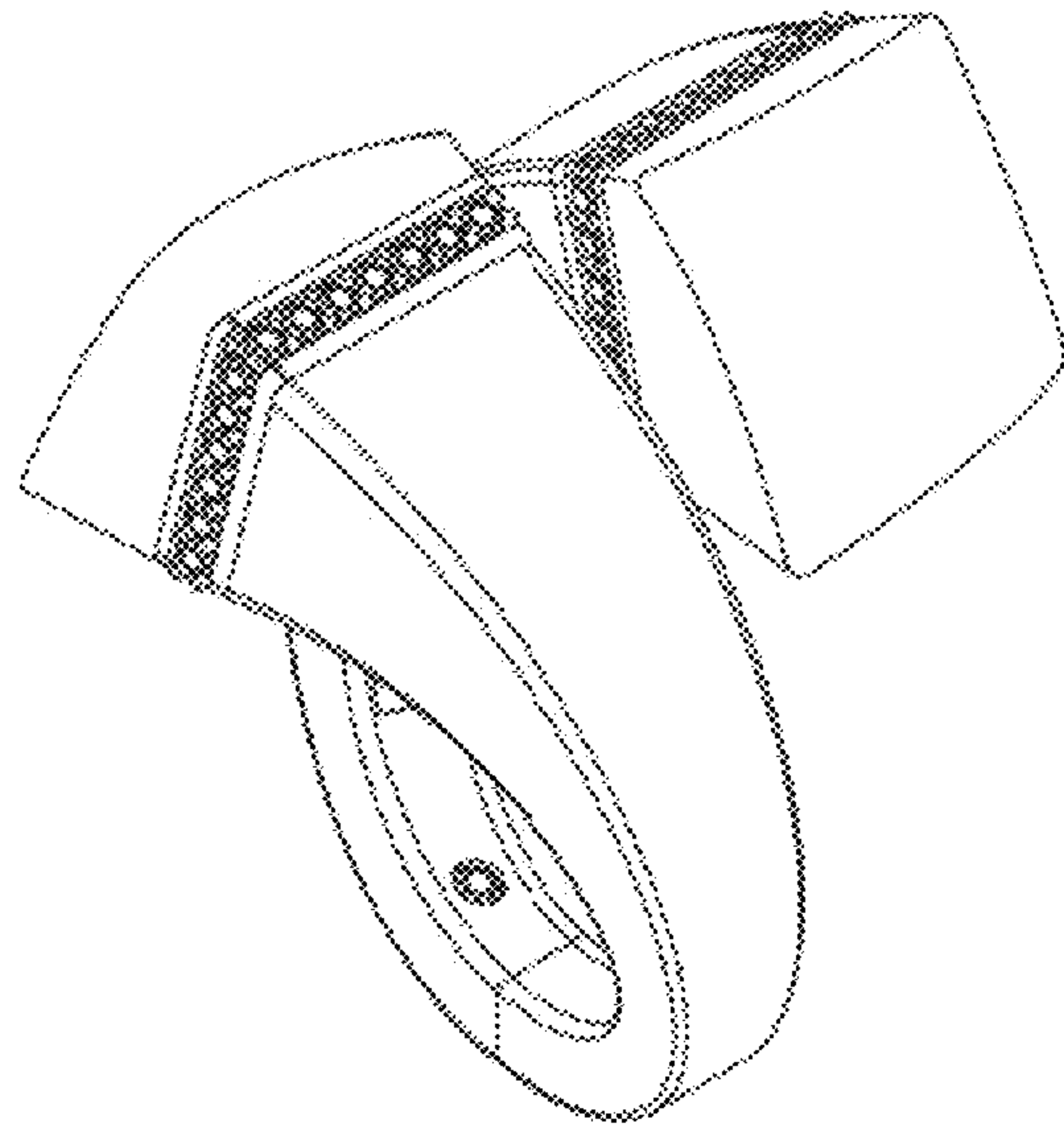


FIG. 8

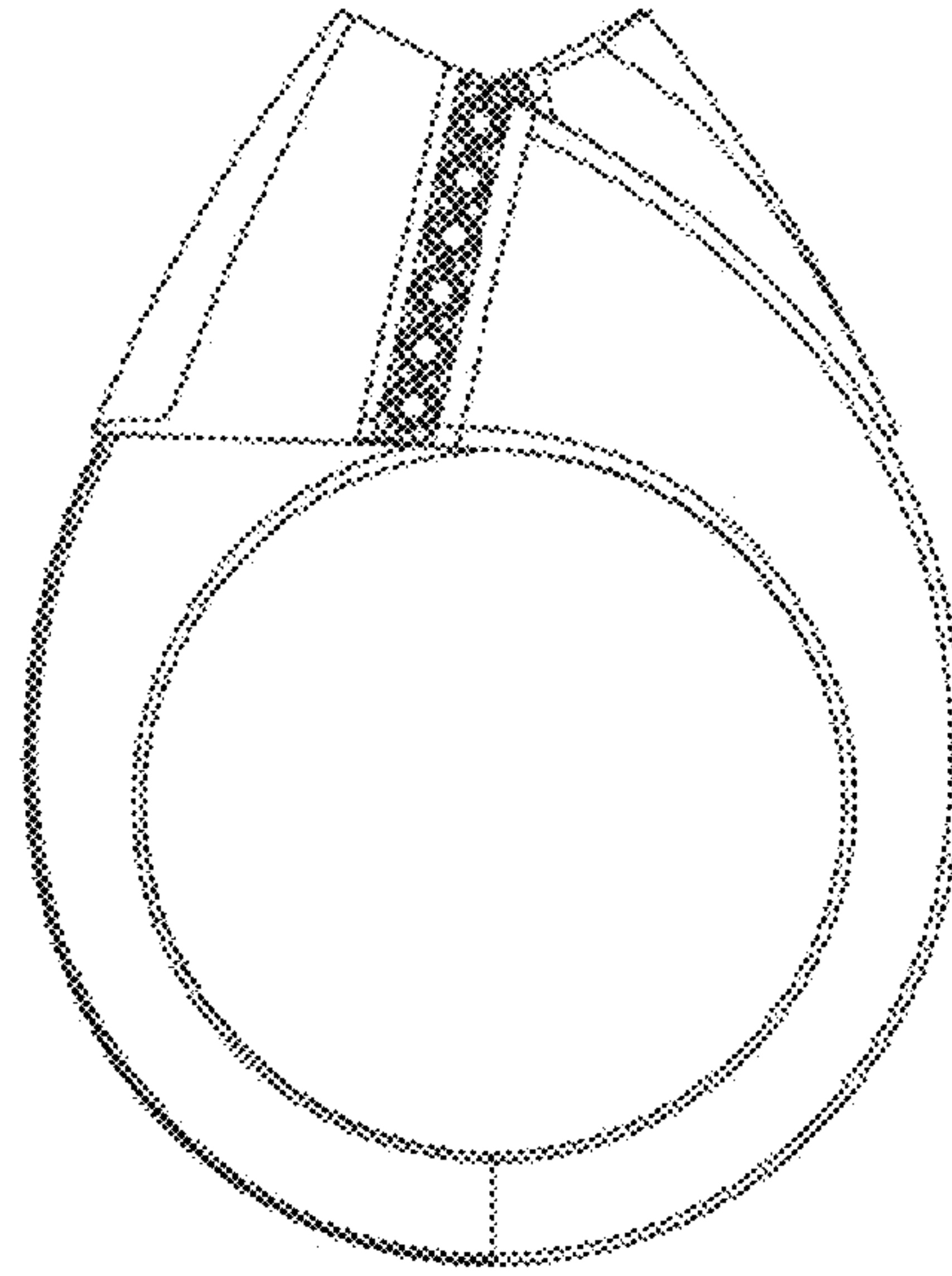


FIG. 9

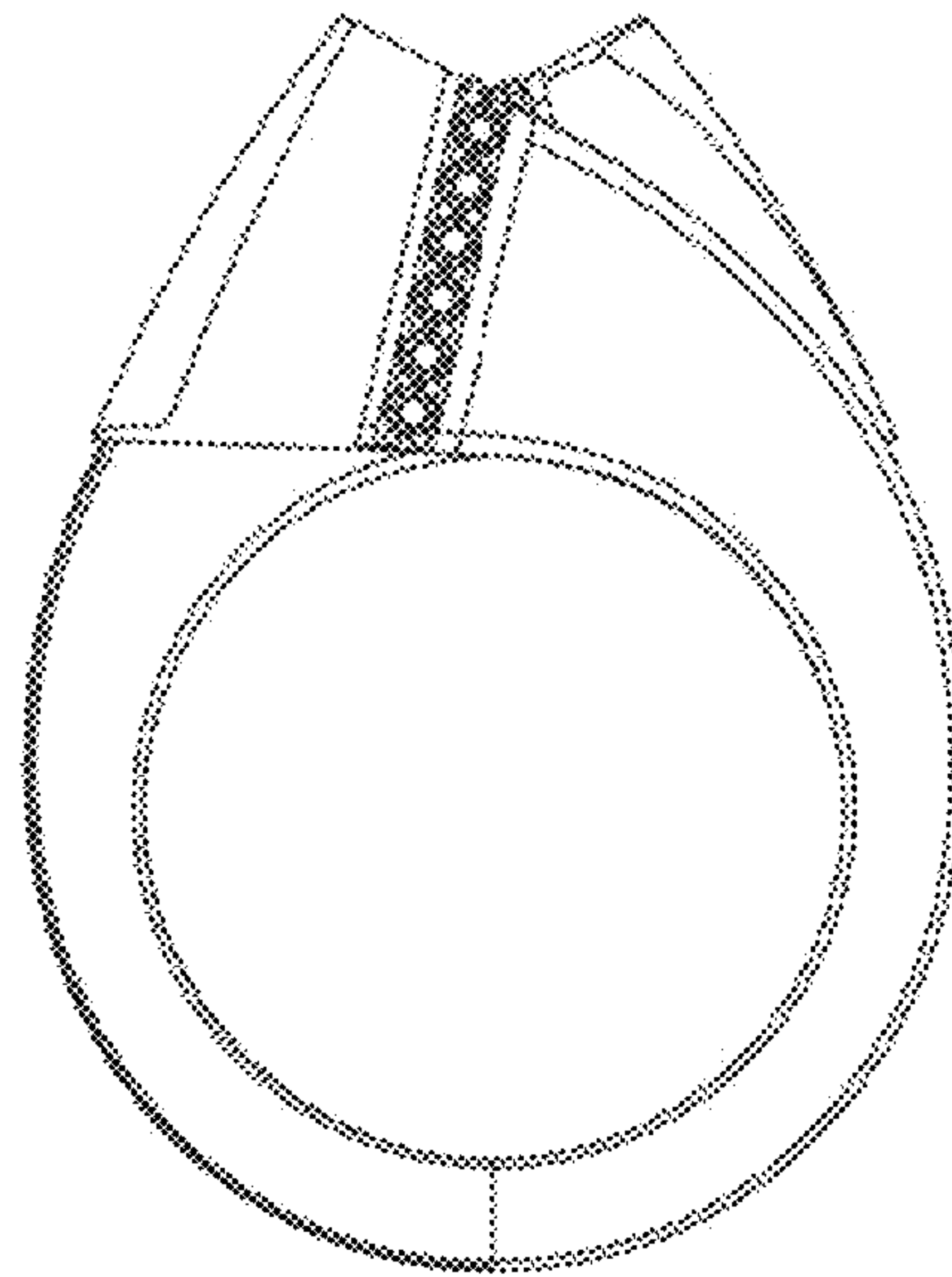


FIG. 10

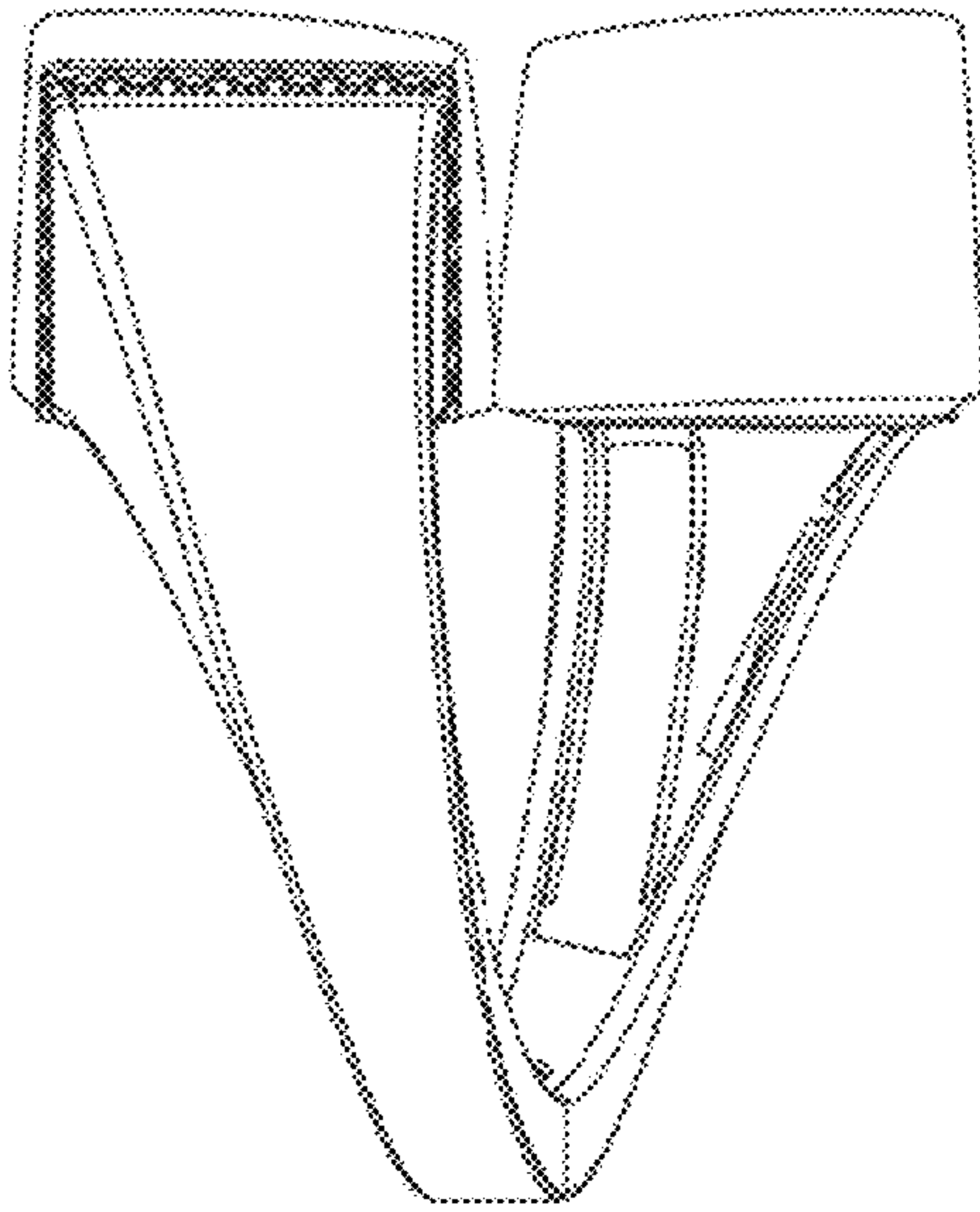


FIG. 11

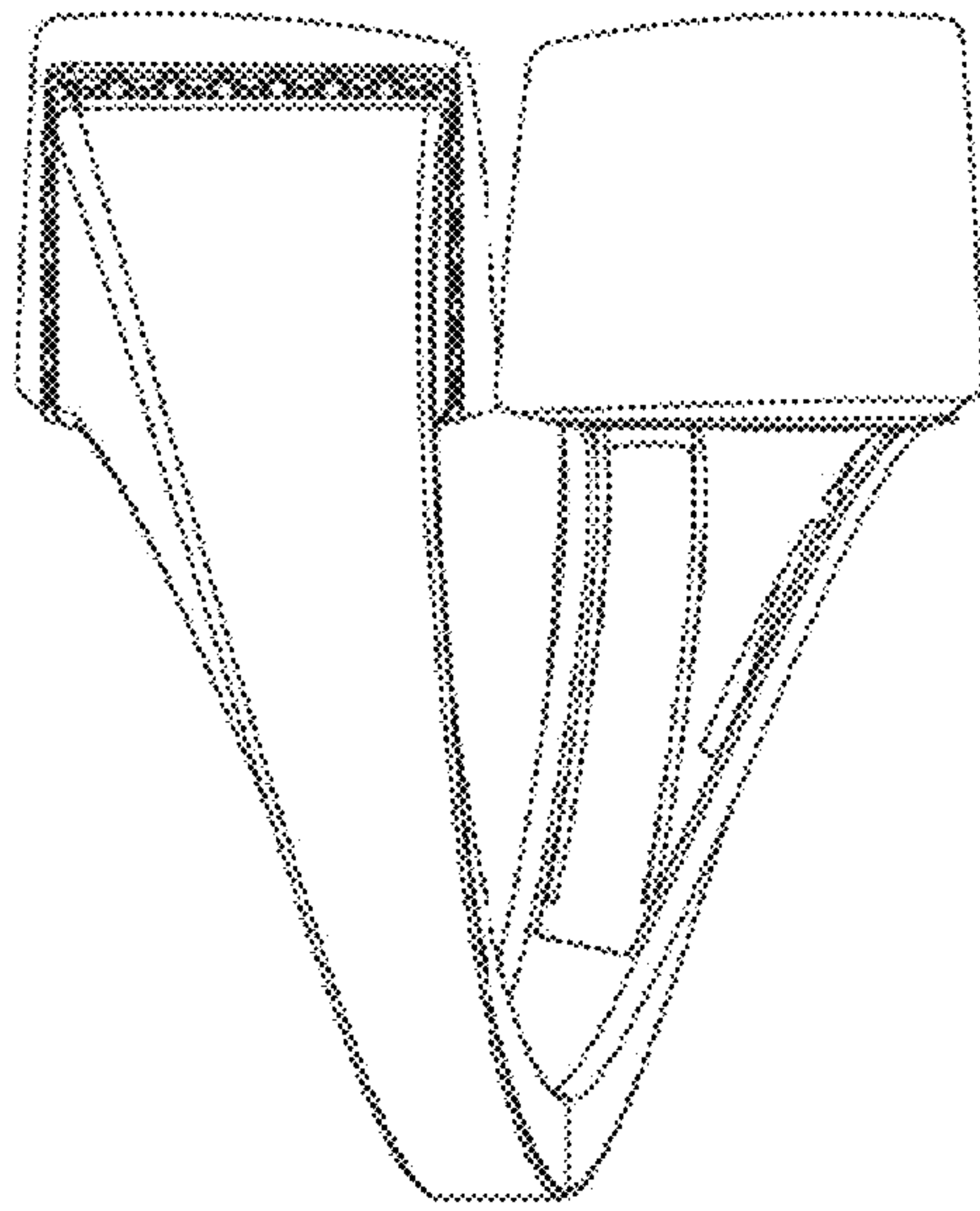


FIG. 12

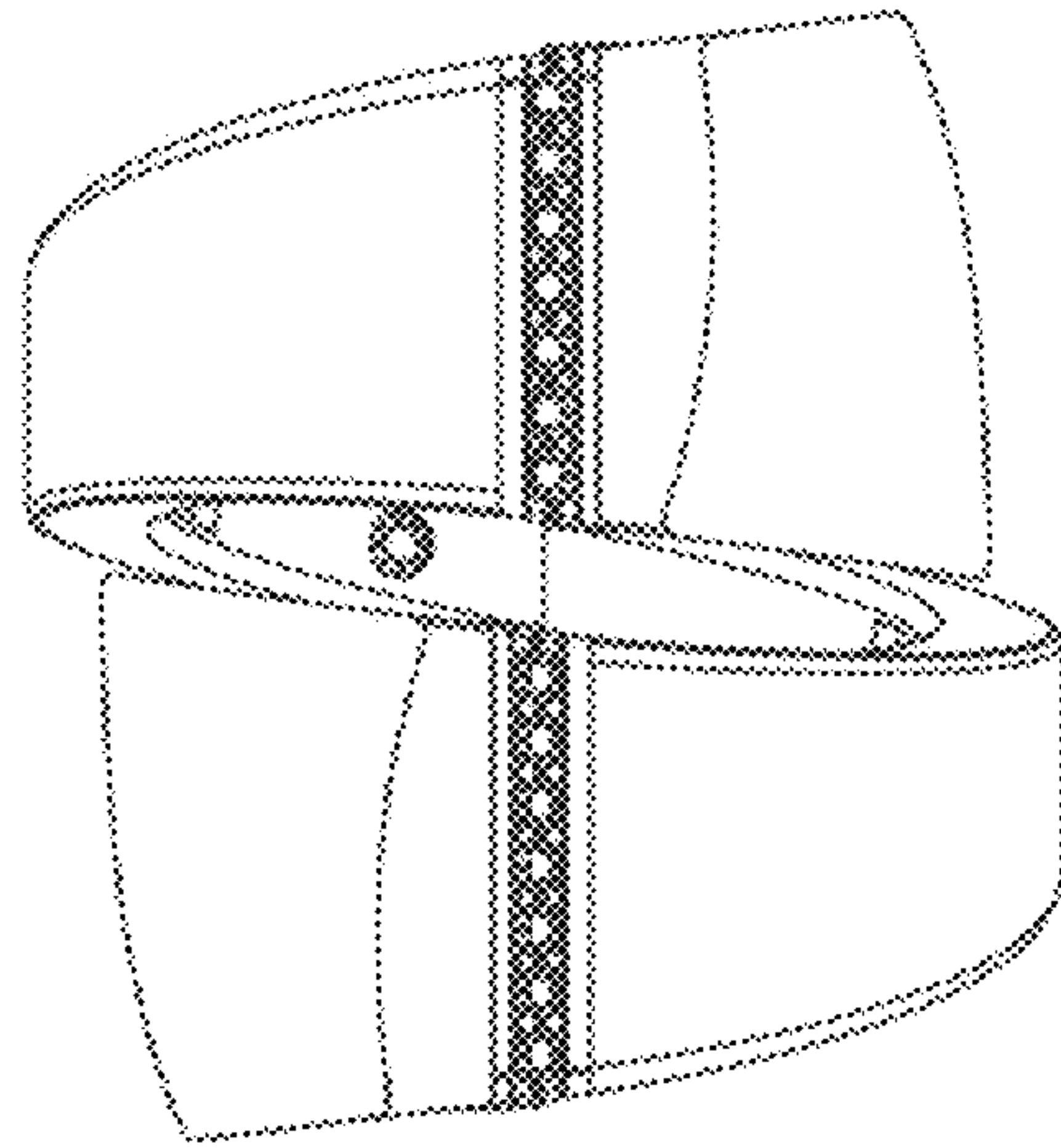


FIG. 13

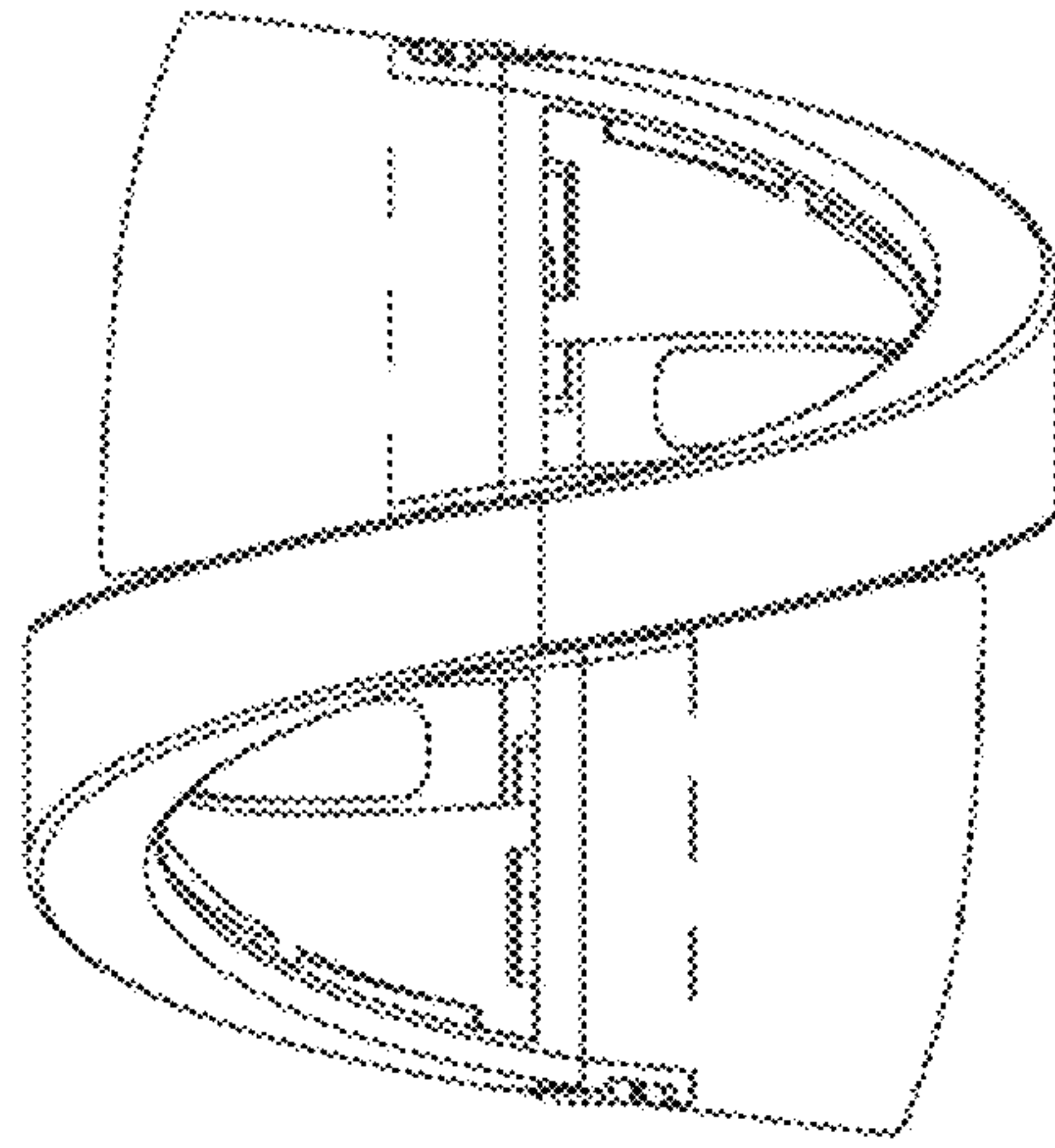


FIG. 14