



US00D928011S

(12) **United States Design Patent** (10) **Patent No.:** **US D928,011 S**  
**Vonau et al.** (45) **Date of Patent:** **\*\* Aug. 17, 2021**

(54) **WRISTBAND WITH APERTURE**  
(71) Applicant: **SG5 Enterprises, LLC**, Denver, CO (US)  
(72) Inventors: **Elizabeth Vonau**, Denver, CO (US);  
**Lusia Donovan**, Orlando, FL (US);  
**Christine Hayes**, Denver, CO (US);  
**Jeremy Parnacher**, Denver, CO (US)  
(\*\*) Term: **15 Years**  
(21) Appl. No.: **29/732,182**  
(22) Filed: **Apr. 22, 2020**  
(51) **LOC (13) Cl.** ..... **11-01**  
(52) **U.S. Cl.**  
USPC ..... **D11/2**  
(58) **Field of Classification Search**  
USPC ..... D11/1-18; D14/344; D10/31, 32, 38;  
D3/201, 215; D9/436, 715  
CPC ..... A44C 5/00; A44C 5/0007; A44C 5/0015;  
A44C 5/0046; A44C 5/0053; A44C  
5/0061; A44C 5/0069; A44C 5/0076;  
A44C 5/0084; A44C 5/0092; A44C  
15/00; A44C 15/0045; A44C 15/0085;  
A44C 15/009  
See application file for complete search history.

3,547,323 A \* 12/1970 Sledge, Jr. .... A44C 5/00  
D11/3  
D276,221 S \* 11/1984 Bulgari ..... D11/3  
D372,878 S \* 8/1996 Finnegan ..... D11/3  
D523,369 S \* 6/2006 Jacober ..... D11/3  
D524,678 S \* 7/2006 Fishman ..... D11/2  
D562,172 S \* 2/2008 Yuengling ..... D11/4  
D597,436 S \* 8/2009 Bowdish ..... D11/4  
D597,881 S \* 8/2009 Hou ..... D11/3  
D645,774 S \* 9/2011 Chowdhary ..... D11/3  
D718,170 S \* 11/2014 Aumiller ..... D10/32  
D720,641 S \* 1/2015 Rummonds ..... D11/3  
D727,196 S \* 4/2015 Tanner ..... D11/3  
D728,404 S \* 5/2015 Evans ..... D11/3  
D752,469 S 3/2016 Rastrick  
(Continued)

(56) **References Cited**  
U.S. PATENT DOCUMENTS  
1,093,757 A \* 4/1914 Becken ..... A44C 5/0053  
D11/2  
D77,057 S \* 12/1928 Burgess ..... D10/32  
D85,403 S \* 10/1931 Swanson ..... D11/2  
D125,612 S \* 3/1941 Dopyera ..... D11/2  
D132,184 S \* 4/1942 Lyon ..... D11/3  
2,473,226 A \* 6/1949 Sheldon ..... G04B 37/12  
D11/3  
D186,818 S \* 12/1959 Gale ..... D10/32  
3,202,331 A \* 8/1965 McKinstrie ..... B63C 11/02  
D11/2

**OTHER PUBLICATIONS**

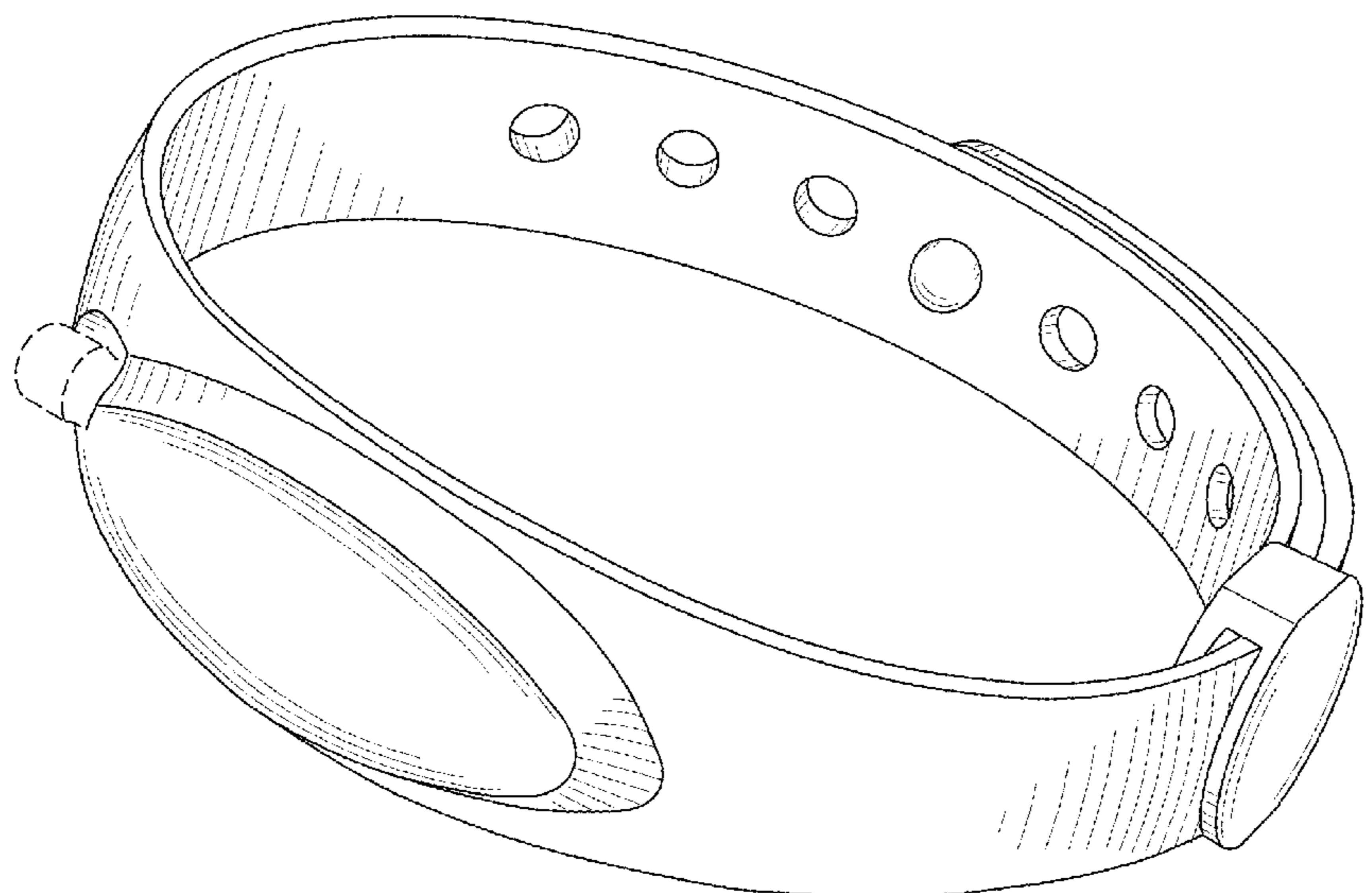
Smartsunband, <https://smartsunband.com/uv-wristbands/>.  
SunZee, [https://www.kickstarter.com/projects/115969509/sunzee-wearable-sunscreen-dispenser-for-on-the-go?ref=thanks\\_link](https://www.kickstarter.com/projects/115969509/sunzee-wearable-sunscreen-dispenser-for-on-the-go?ref=thanks_link).  
*Primary Examiner* — Llorellys Martinez  
(74) *Attorney, Agent, or Firm* — J. Greg Tinch, Esq.

(57) **CLAIM**  
The ornamental design for a wristband with aperture, as shown and described.

**DESCRIPTION**

FIG. 1 is a top perspective view of a wristband with aperture in accordance with the present invention;  
FIG. 2 is a front view thereof;  
FIG. 3 is a rear view thereof;  
FIG. 4 is a top view thereof;  
FIG. 5 bottom view thereof;  
FIG. 6 is a left side view thereof; and,  
FIG. 7 is a right side view thereof.  
The broken lines shown represent the portions of the wristband with aperture that form no part of the claimed design.

**1 Claim, 4 Drawing Sheets**



(56)

**References Cited**

U.S. PATENT DOCUMENTS

D771,010	S	*	11/2016	Louis	.....	D11/3
D780,613	S	*	3/2017	Shaukat	.....	D11/2
D810,603	S	*	2/2018	Davis	.....	D11/4
D815,555	S	*	4/2018	Vandekop	.....	D11/5
D826,763	S	*	8/2018	Chuang	.....	D11/3
D849,997	S	*	5/2019	Healy	.....	D27/196
D864,011	S	*	10/2019	Moon	.....	D11/3
D872,613	S	*	1/2020	Bidstrup	.....	D11/3
D878,950	S		3/2020	Ennis		
D879,643	S	*	3/2020	Deng	.....	D11/3
D881,739	S	*	4/2020	Deng	.....	D11/3
2011/0139823	A1	*	6/2011	Staudt	.....	A45F 5/00 222/175

\* cited by examiner

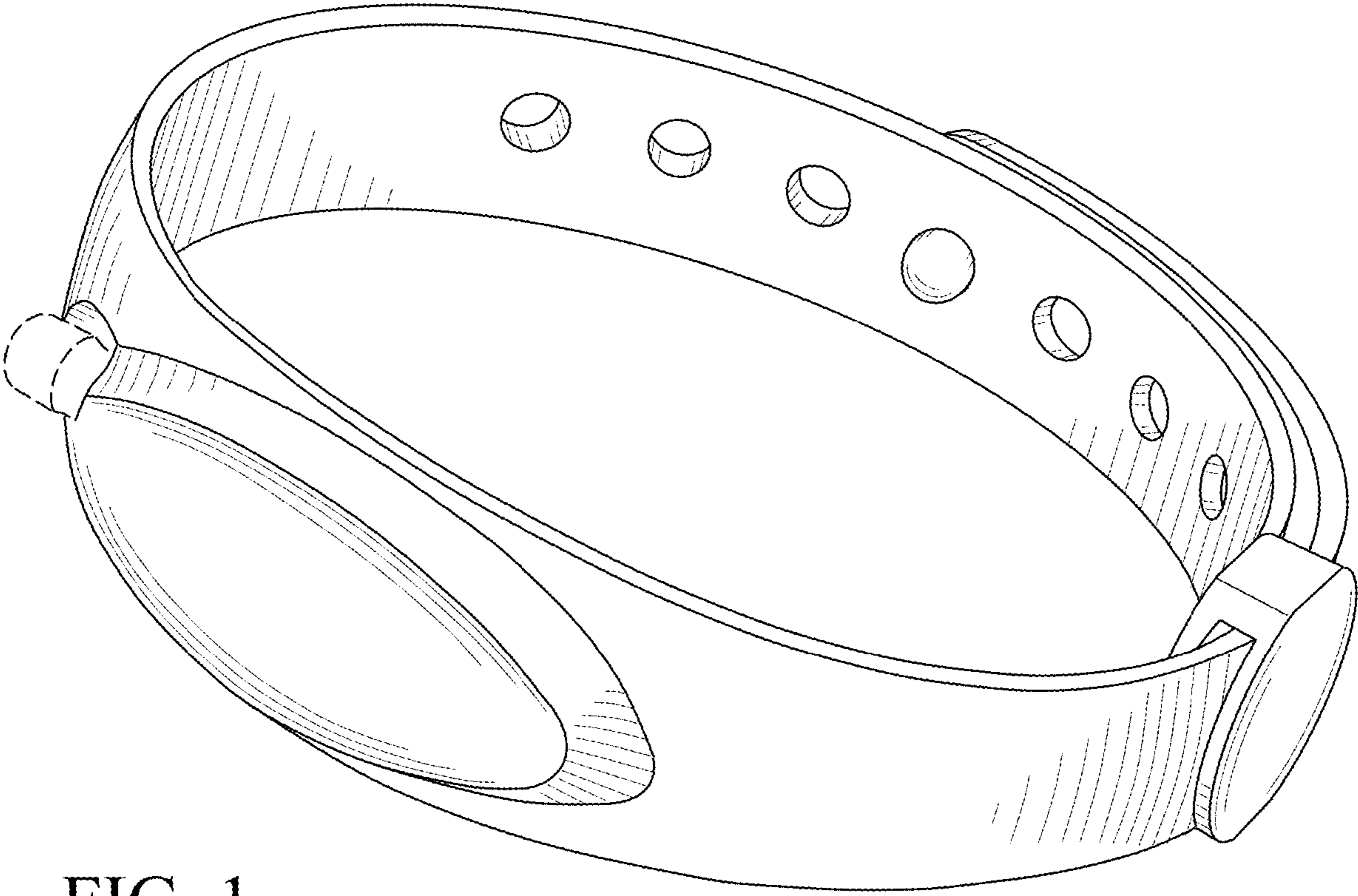


FIG. 1

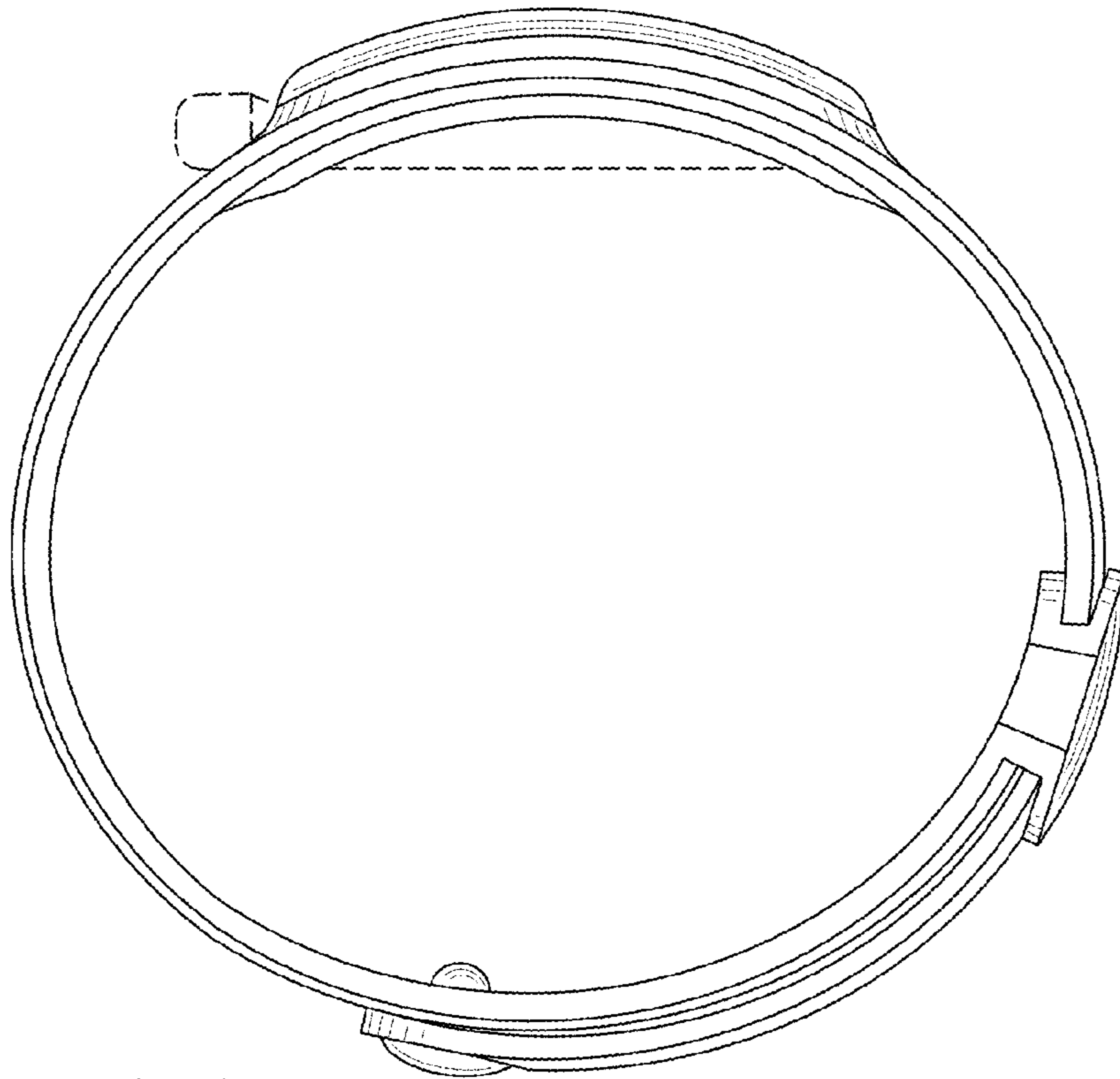


FIG. 2

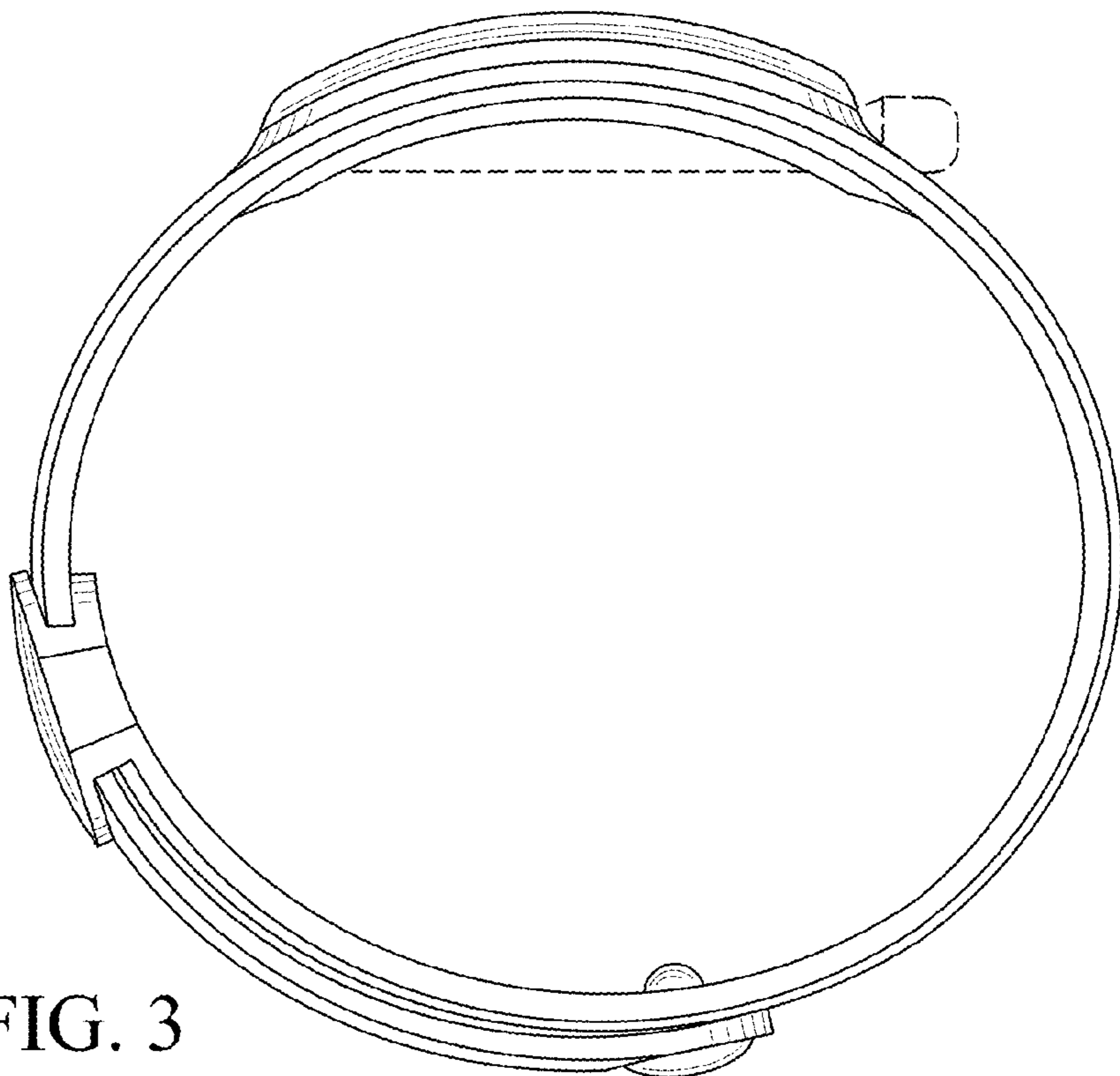


FIG. 3

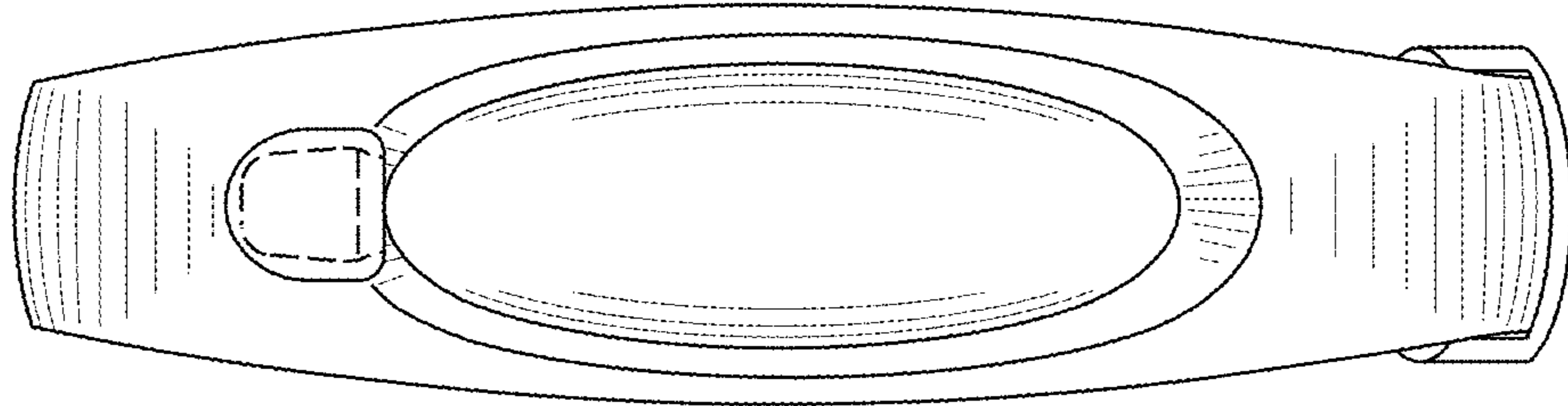


FIG. 4

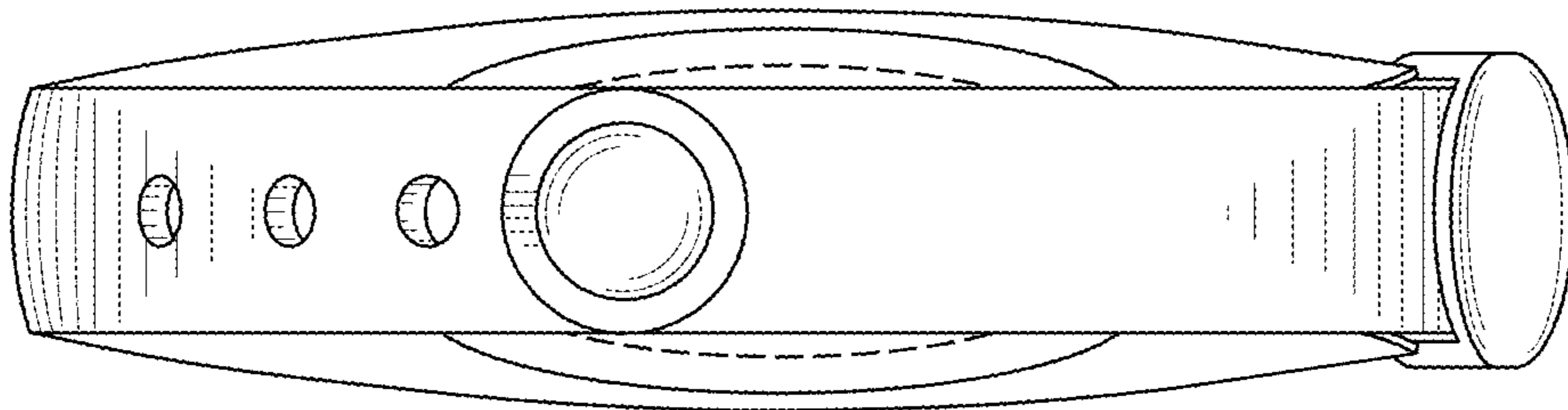


FIG. 5

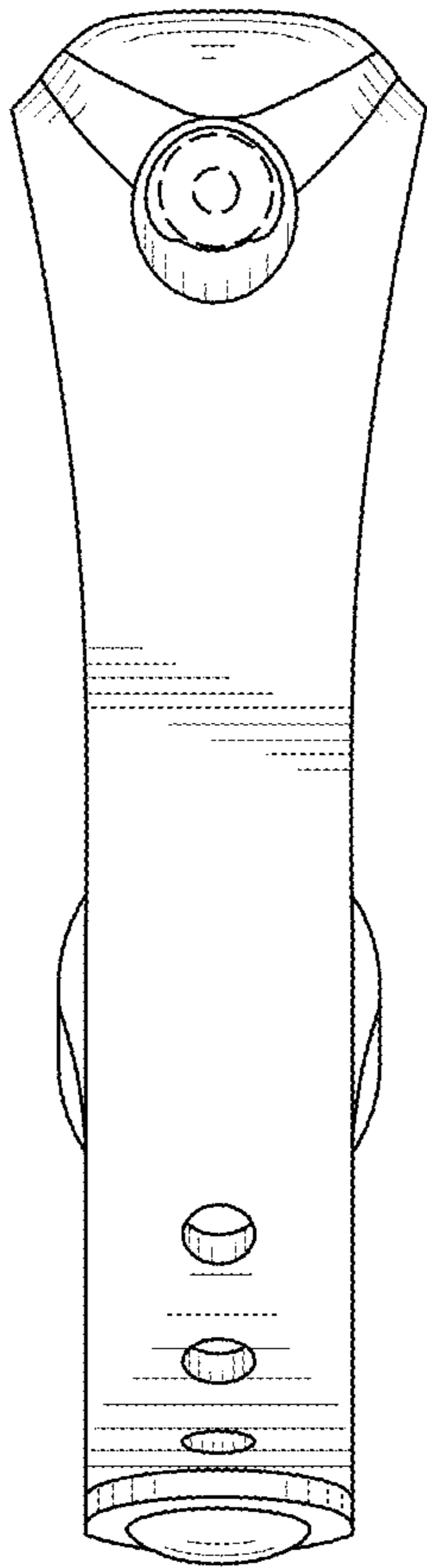


FIG. 6

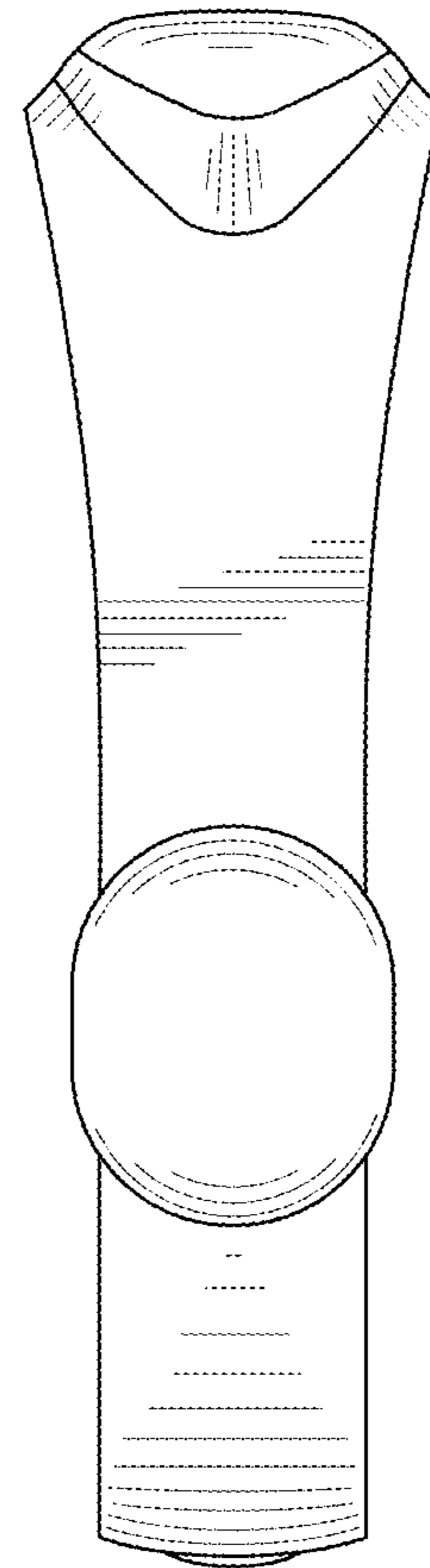


FIG. 7