



US00D928010S

(12) **United States Design Patent** (10) **Patent No.:** **US D928,010 S**  
**Balayer** (45) **Date of Patent:** **\*\* Aug. 17, 2021**

(54) **WRISTWATCH HOLDER WITH LID AND INTERCHANGEABLE RING**

(71) Applicant: **Marc Balayer**, Gatineau (CA)  
(72) Inventor: **Marc Balayer**, Gatineau (CA)  
(73) Assignee: **Marc Balayer**, Gatineau (CA)  
(\*\*) Term: **15 Years**

(21) Appl. No.: **29/694,617**

(22) Filed: **Jun. 12, 2019**

(51) **LOC (13) Cl.** ..... **10-07**

(52) **U.S. Cl.**  
USPC ..... **D10/132; D10/37**

(58) **Field of Classification Search**  
USPC .... D10/30-39, 128-132; D14/344, 345, 440  
CPC ..... A44C 5/0007; A44C 5/147; A44C 11/10;  
A44C 11/12; G04B 37/005; G04B  
37/0058; G04B 37/084; G04B 37/087;  
G04B 37/1486

See application file for complete search history.

(56) **References Cited**

**U.S. PATENT DOCUMENTS**

1,793,995 A 2/1931 Bulova  
2,547,991 A 4/1951 Witbrod  
2,619,792 A \* 12/1952 Slater ..... G04B 37/1486  
368/281  
3,313,101 A \* 4/1967 Carroll ..... A45C 11/10  
368/287  
3,386,239 A \* 6/1968 Shiffman ..... G04B 37/225  
368/296  
D214,642 S 7/1969 Kettell  
D276,506 S \* 11/1984 Henkels ..... D10/23  
D322,762 S \* 12/1991 Muller ..... D10/32  
D327,078 S 6/1992 Nakao et al.  
5,392,261 A \* 2/1995 Hsu ..... G04B 37/1413  
368/281  
D360,140 S \* 7/1995 Grant ..... D10/18

(Continued)

**FOREIGN PATENT DOCUMENTS**

CH 145196 4/1931  
CH 791660 7/1963

(Continued)

**OTHER PUBLICATIONS**

Pocket Watch and Pendant Accessories for the Apple Watch (<https://kickstarter.com/projects/bucardo/pocket-watch-and-pendant-accessories-for-the-apple>).

(Continued)

*Primary Examiner* — Katherine Glennon

(74) *Attorney, Agent, or Firm* — Thomas Horstemeyer, LLP

(57) **CLAIM**

The ornamental design for a wristwatch holder with lid and interchangeable ring, as shown and described.

**DESCRIPTION**

FIG. 1 is a top perspective view of the base of a wristwatch holder with lid and interchangeable ring, the left side of the base being a mirror image of the right side.

FIG. 2 is a top perspective view of the interchangeable ring thereof, the left side of the interchangeable ring being a mirror image of the right side.

FIG. 3 is a bottom perspective view of the interchangeable ring thereof.

FIG. 4 is a top view of the lid thereof.

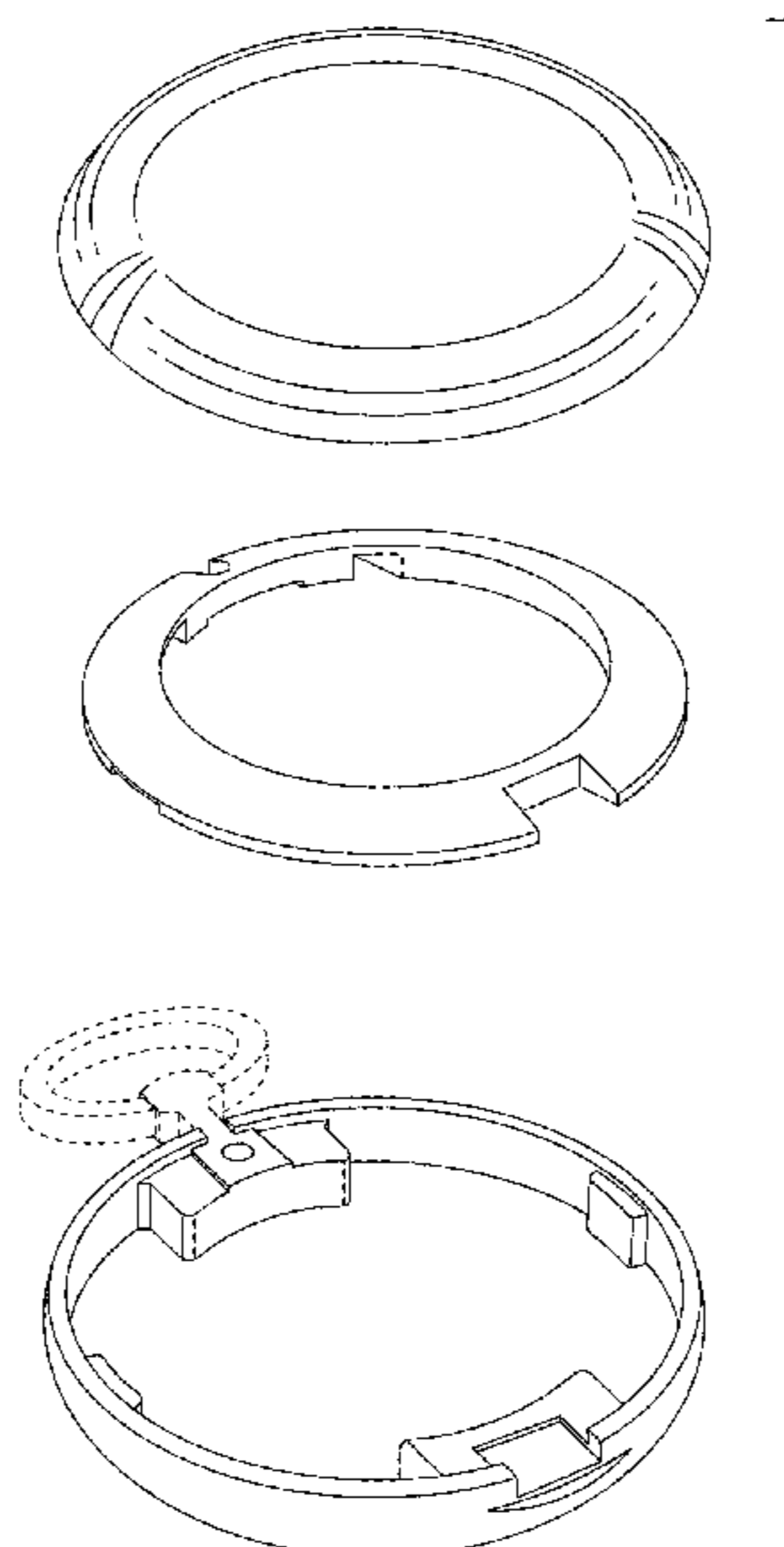
FIG. 5 is a bottom perspective view of the lid thereof.

FIG. 6 is a top perspective view thereof in a closed position; and,

FIG. 7 is an exploded view thereof.

The broken lines in the drawings represent environmental subject matter and form no part of the claimed design.

**1 Claim, 3 Drawing Sheets**



(56)

References Cited

U.S. PATENT DOCUMENTS

D416,814 S \* 11/1999 Welsh ..... D10/31  
 D417,236 S \* 11/1999 Burrus ..... D10/31  
 D483,284 S \* 12/2003 Chien ..... D10/129  
 D491,077 S \* 6/2004 Stoop ..... D10/30  
 D527,654 S \* 9/2006 Min ..... D10/33  
 D534,450 S \* 1/2007 Muller ..... D10/132  
 D562,705 S \* 2/2008 Laucella ..... D10/37  
 8,188,842 B2 \* 5/2012 Otsuka ..... G08C 17/02  
 340/12.22  
 D672,265 S \* 12/2012 Pulli ..... D10/128  
 D725,496 S \* 3/2015 Belamich ..... D10/37  
 D827,453 S \* 9/2018 Davoli ..... D10/37  
 10,214,831 B2 \* 2/2019 Dubois ..... B81C 1/00674  
 D855,487 S \* 8/2019 Schaad ..... D10/128  
 2003/0206493 A1 \* 11/2003 Garrard ..... G04B 27/08  
 368/10  
 2007/0189127 A1 \* 8/2007 Pollak ..... G04B 37/1486  
 368/294  
 2009/0022014 A1 \* 1/2009 Gracia ..... G04B 37/0445  
 368/311  
 2012/0134244 A1 \* 5/2012 Margaritelli ..... G04B 37/005  
 368/281  
 2012/0257482 A1 \* 10/2012 Raffy ..... G04B 37/0016  
 368/277

2013/0222139 A1 \* 8/2013 Gouge ..... A61B 5/01  
 340/573.1  
 2015/0346692 A1 \* 12/2015 Bolzt ..... G04B 37/0041  
 368/314  
 2016/0085215 A1 3/2016 Watler, Jr.  
 2016/0098013 A1 \* 4/2016 Kadmiri ..... G04B 19/283  
 368/273  
 2018/0203415 A1 \* 7/2018 Munro ..... G04B 37/085  
 2020/0019120 A1 \* 1/2020 Gauche ..... G04B 37/0041  
 2020/0319768 A1 \* 10/2020 Drake ..... G04G 9/007

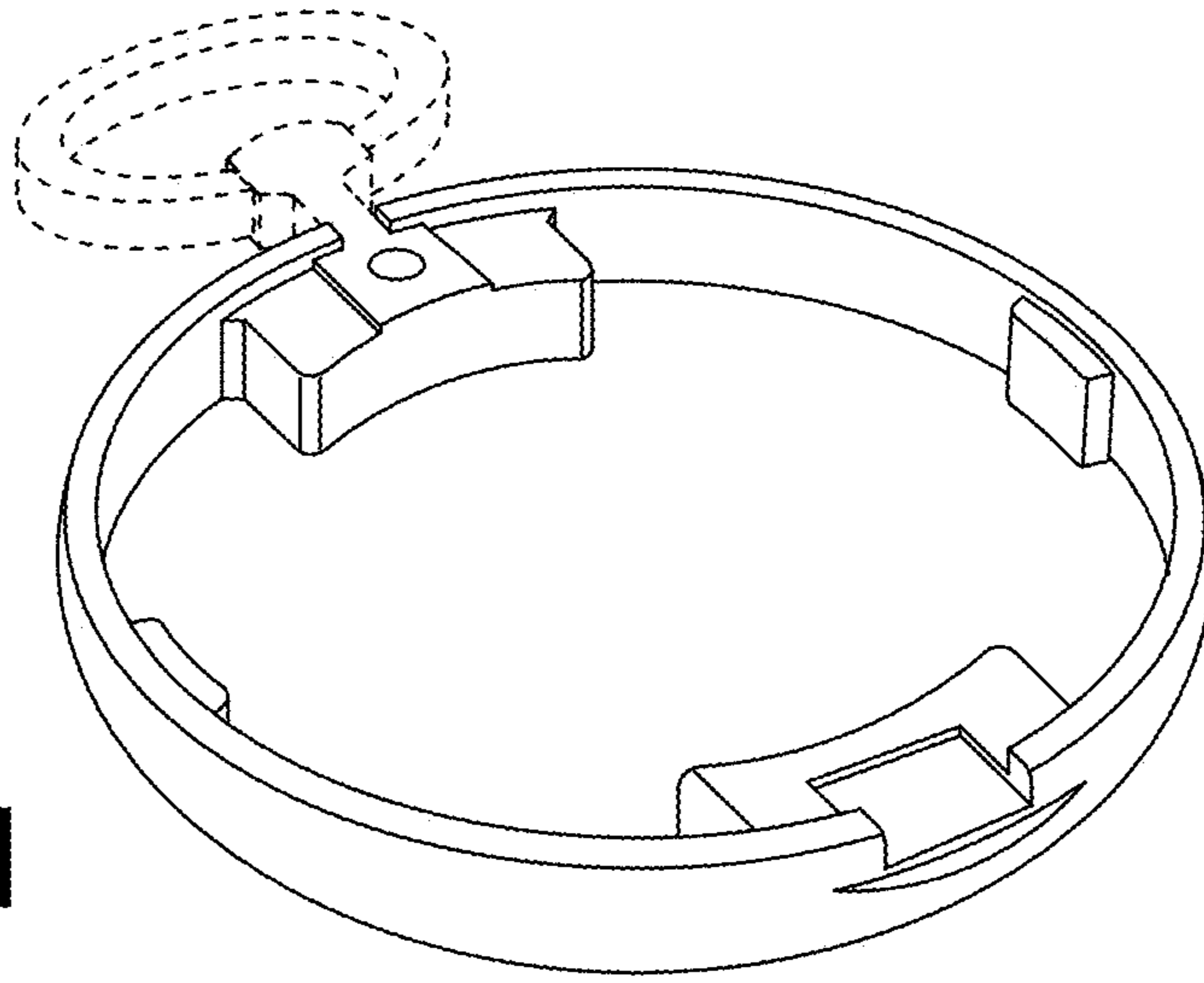
FOREIGN PATENT DOCUMENTS

CH	555158	3/1974
DE	7137175	12/1971
DE	29718139	1/1998
WO	2017080911 A1	5/2017

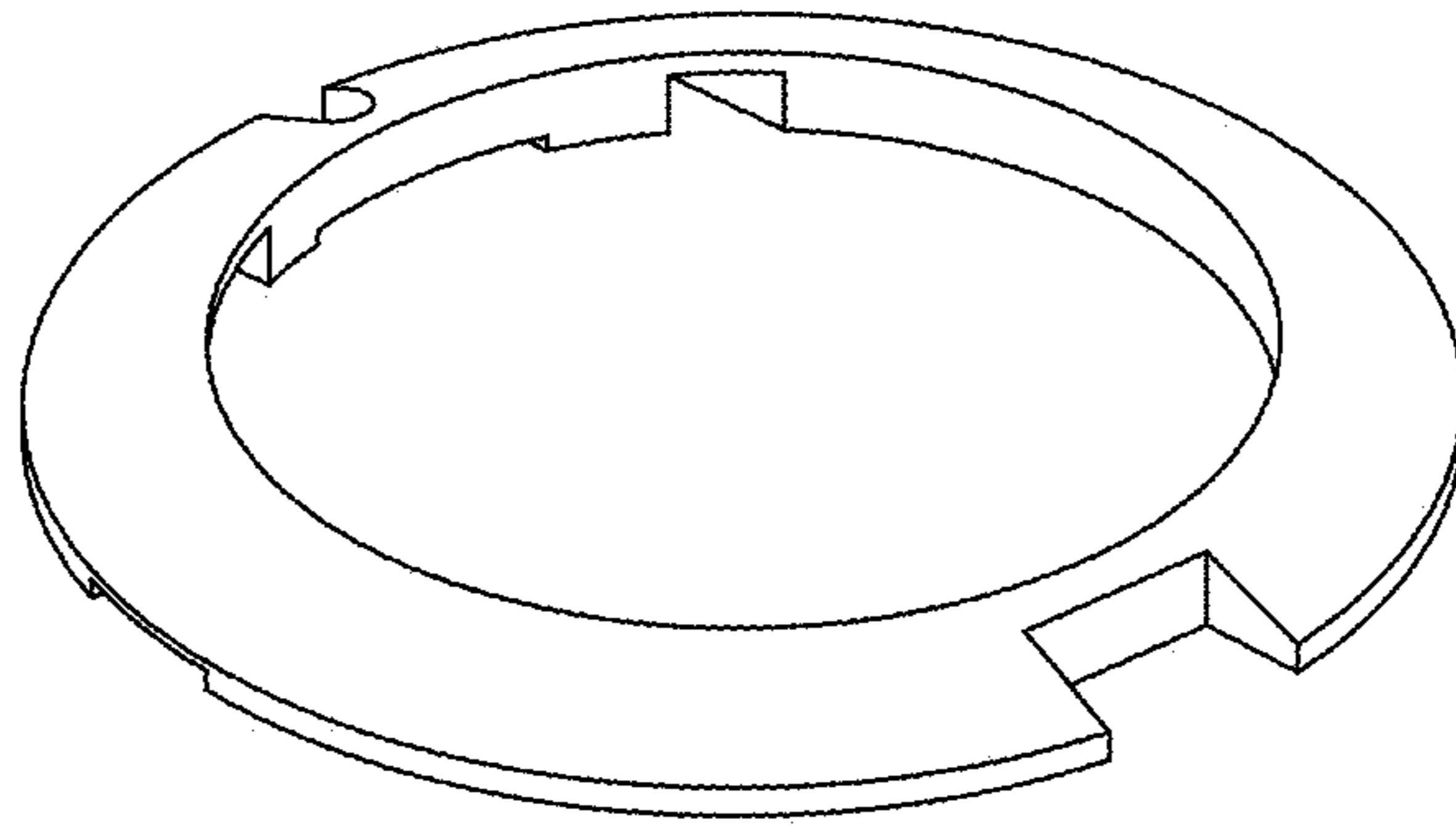
OTHER PUBLICATIONS

PW (Pocket-Watch)—Pocket watch case for the iPod Nano (<https://www.pozible.com/project/4931>).  
 Jones & Horan Auction Lot 353 ([http://www.auctionsjones-horan.com/1701/htm1/1701\\_348-356.htm](http://www.auctionsjones-horan.com/1701/htm1/1701_348-356.htm)).

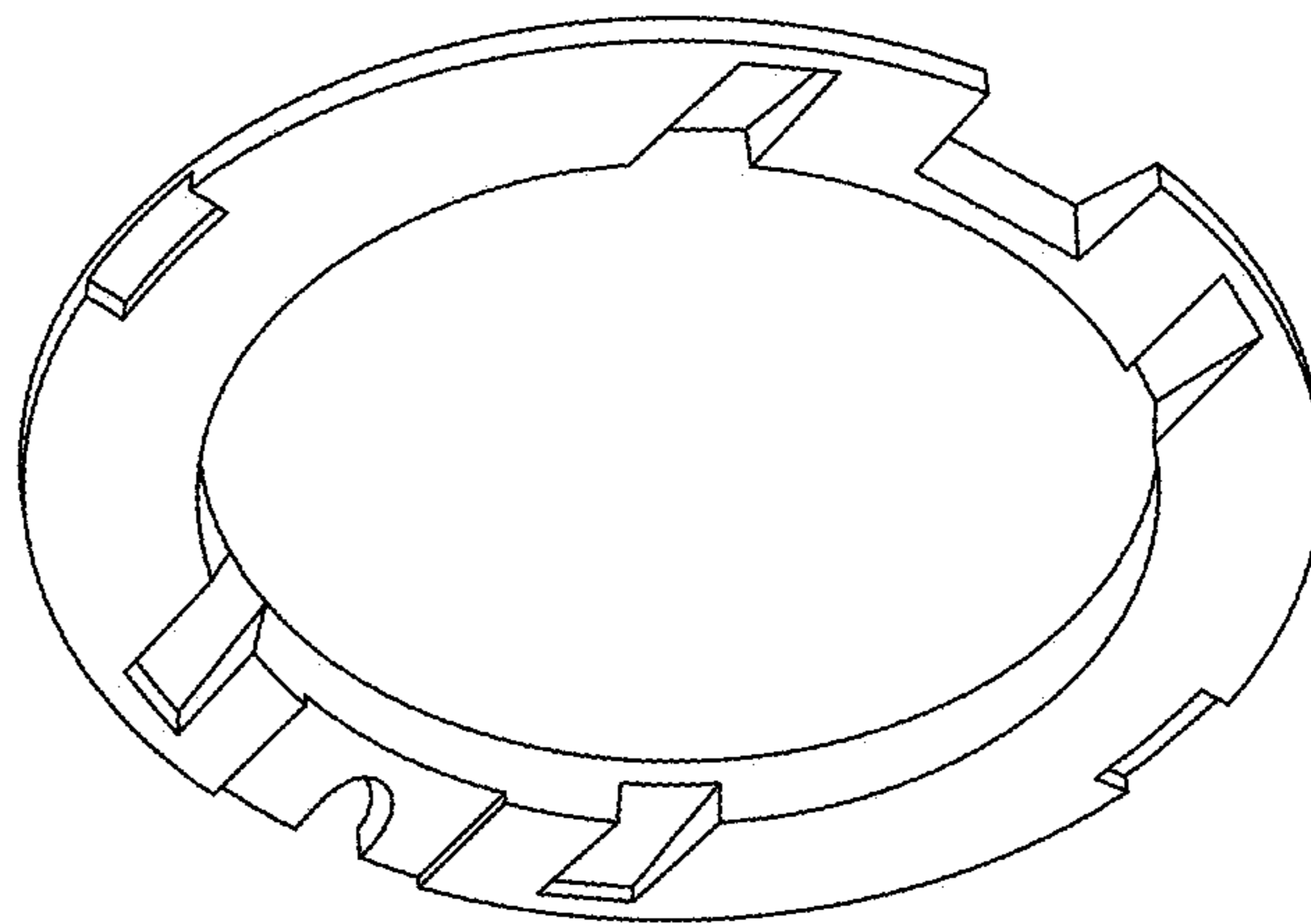
\* cited by examiner



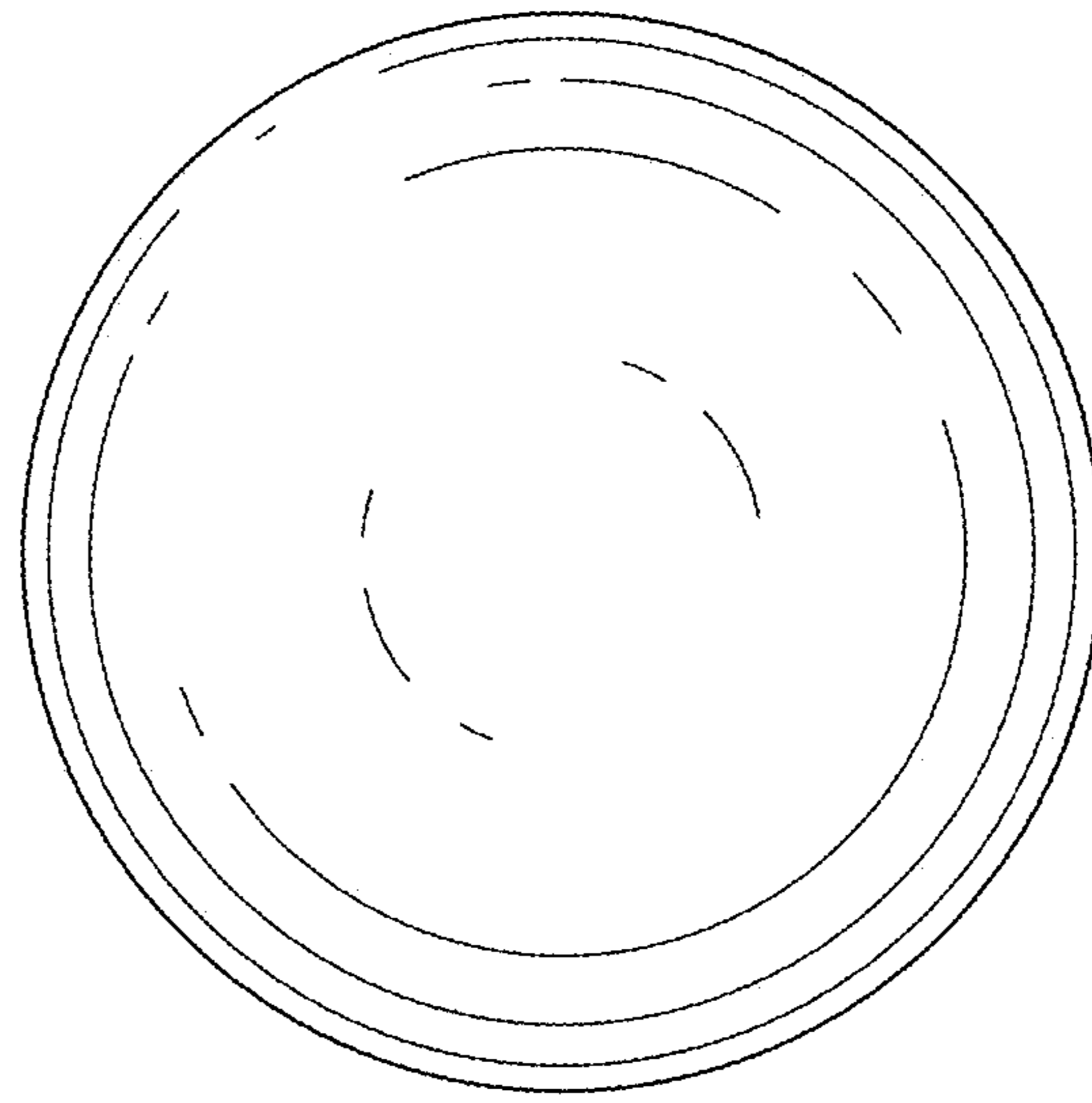
**FIG. 1**



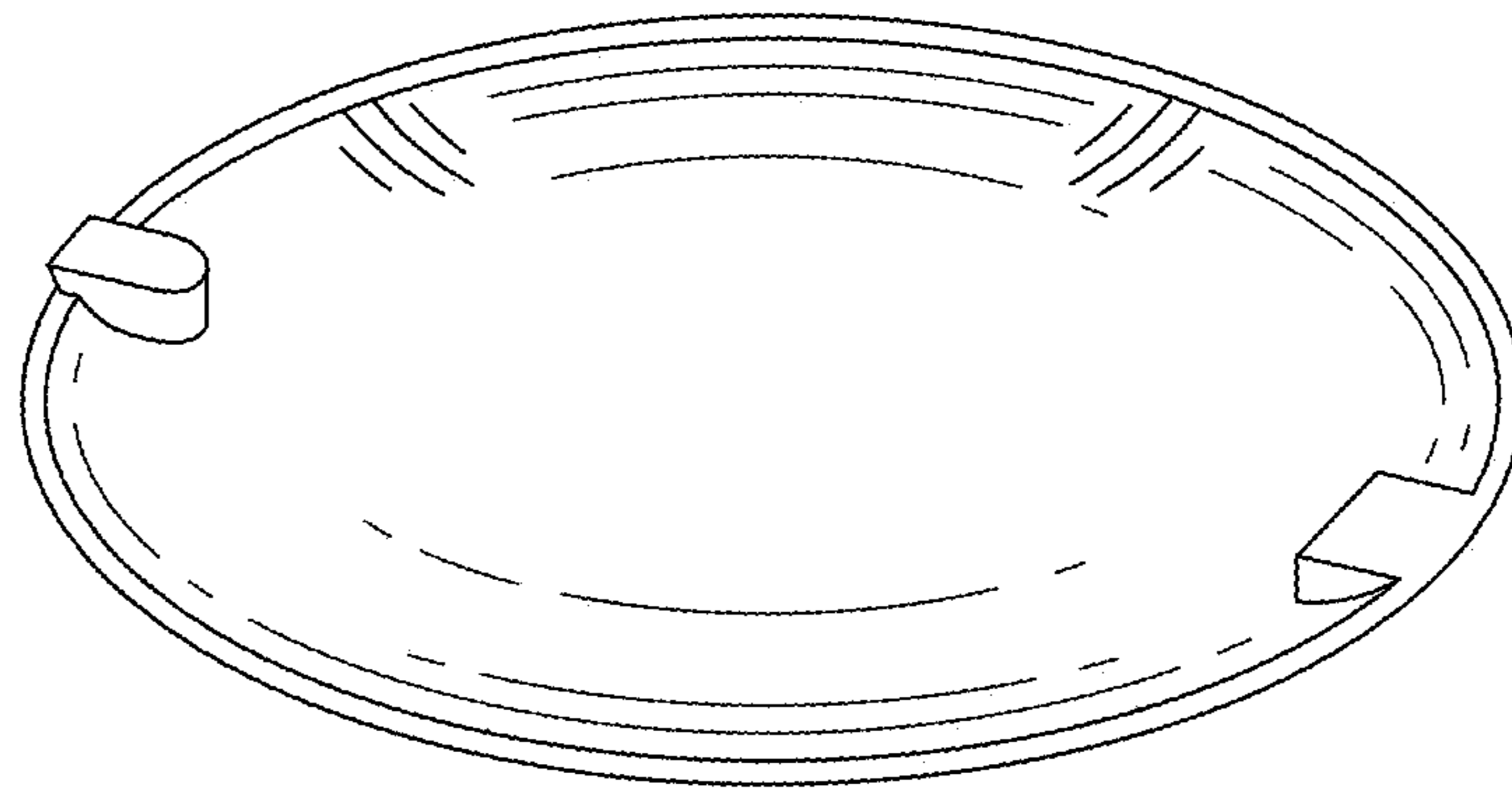
**FIG. 2**



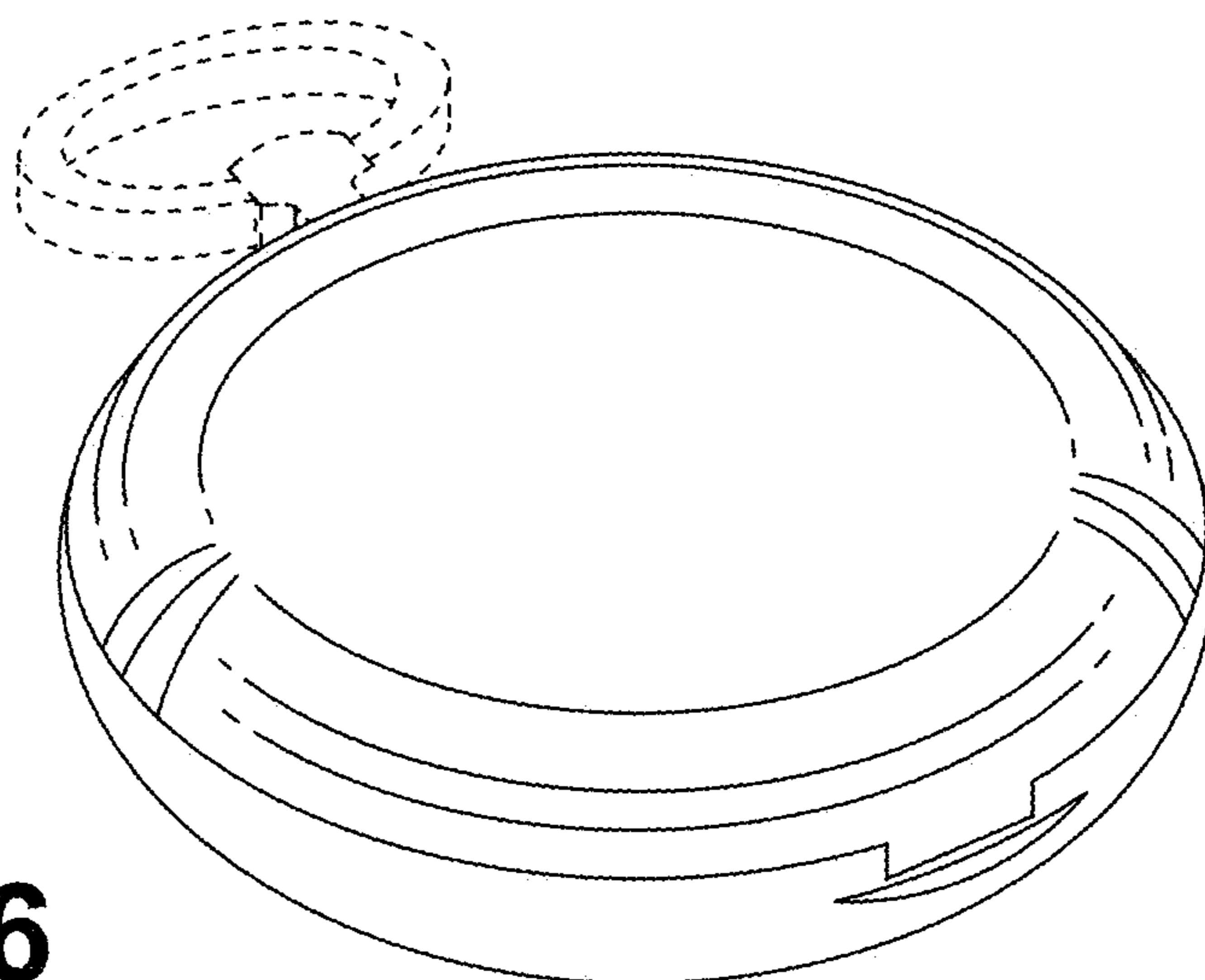
**FIG. 3**



**FIG. 4**

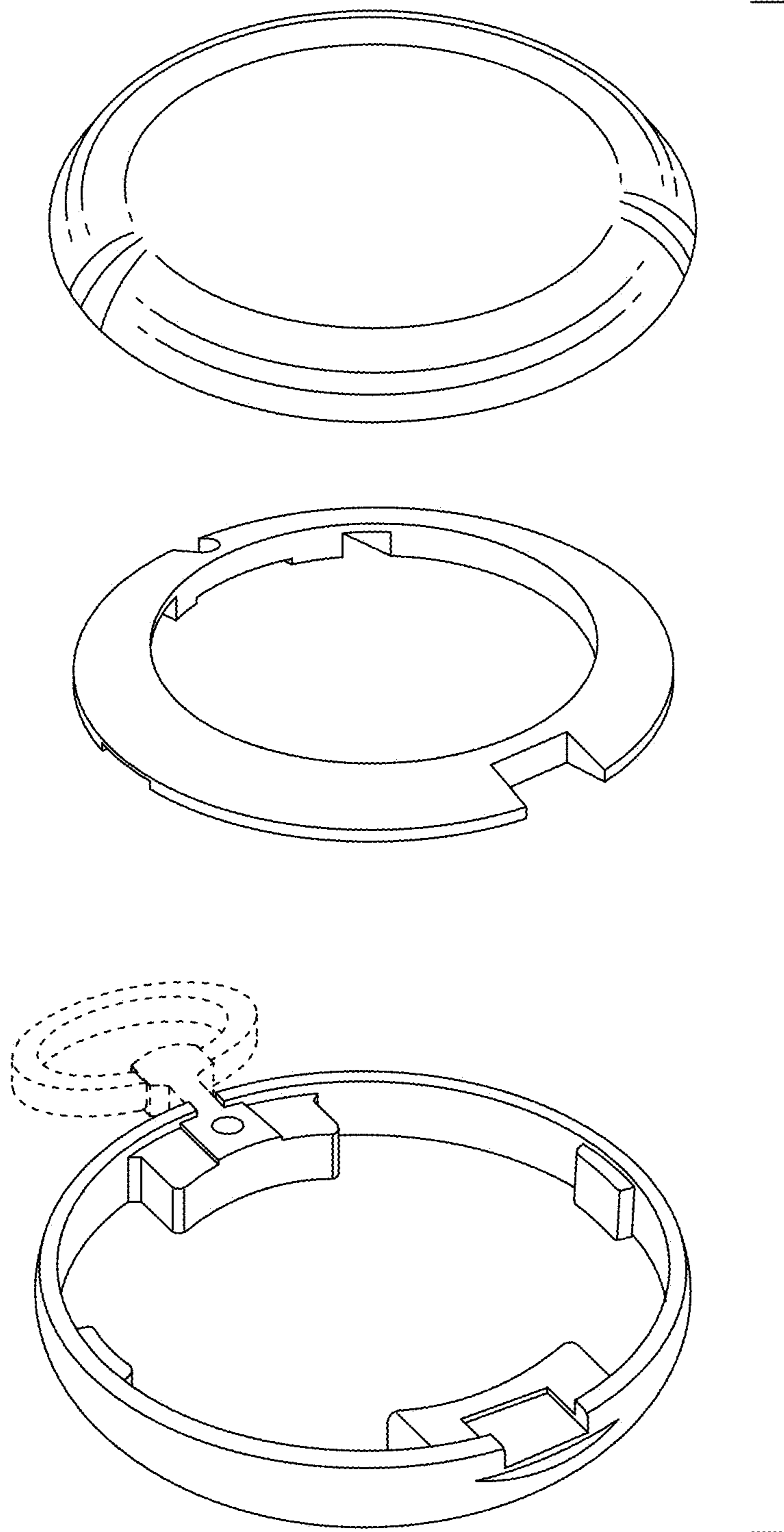


**FIG. 5**



**FIG. 6**





**FIG. 7**