



US00D928009S

(12) **United States Design Patent** (10) **Patent No.:** **US D928,009 S**
Qiuting (45) **Date of Patent:** **** Aug. 17, 2021**

(54) **SECOND HAND FOR A WATCH**
(71) Applicant: **Cheng Qiuting**, Foshan (CN)
(72) Inventor: **Cheng Qiuting**, Foshan (CN)
(**) Term: **15 Years**
(21) Appl. No.: **29/723,170**
(22) Filed: **Feb. 5, 2020**
(51) **LOC (13) Cl.** **10-07**
(52) **U.S. Cl.**
USPC **D10/127**
(58) **Field of Classification Search**
USPC D10/1-2, 6, 8, 14, 22, 30-39, 40-41,
D10/46.1, 102-103, 122-126, 127
CPC G04B 19/00; G04B 19/04; G04B 19/042;
G04B 19/046; G04B 19/048; G04B
19/06; G04B 19/065; G04B 19/08; G04B
19/082; G04B 19/085; G04B 19/087;
G04B 19/10; G04B 19/103; G04B
19/106; G04B 19/12; G04B 19/18; G04B
19/22; G04B 19/26; G04B 19/262; G04B
19/264; G04B 19/266; G04B 19/268;
G04B 45/0061; Y10T 29/49579
See application file for complete search history.

(56) **References Cited**
U.S. PATENT DOCUMENTS

D4,649 S * 2/1871 Gale D10/124
D126,965 S * 5/1941 Graesser D10/102
D190,291 S * 5/1961 Sittser D10/10
6,519,853 B1 * 2/2003 Machida G04B 19/042
29/896.3
D573,502 S * 7/2008 Lalo D10/122
D628,497 S * 12/2010 Laucella D10/33
D746,716 S * 1/2016 Gueit D10/127
D805,942 S * 12/2017 Koelewyn D10/127
D822,523 S * 7/2018 Laucella D10/127
D836,015 S * 12/2018 Men D10/126

2016/0124392 A1* 5/2016 Genoud G04F 7/065
368/102
2017/0220004 A1* 8/2017 Bossart G04B 19/042
2018/0173163 A1* 6/2018 Kraehenbuehl G04B 19/065

FOREIGN PATENT DOCUMENTS

CN 304663705 * 6/2018
CN 304868709 * 10/2018

OTHER PUBLICATIONS

Blancpain Villeret Ultraplate | posted at luxuryactivist.com Sep. 2014 © Copyright 2018 [online][site visited Feb. 7, 2018]. Available from Internet: <<https://luxuryactivist.com/watches/blancpain-villeret-ultraplate-essential-luxury-in-3-37mm/>> (Year: 2014).
Bring a Loupe: Beautiful Vintage Chronographs from Mido, Gallet, Heuer | hodinkee.com; May 2016 [online]. © 2009-2021, Hodinkee Inc. [retrieved May 21, 2021] from Internet: <<https://www.hodinkee.com/articles/bring-a-loupe-may-6-2016>> (p. 2) (Year: 2016).*

(Continued)

Primary Examiner — Katherine Glennon
(74) *Attorney, Agent, or Firm* — Rumit Ranjit Kanakia

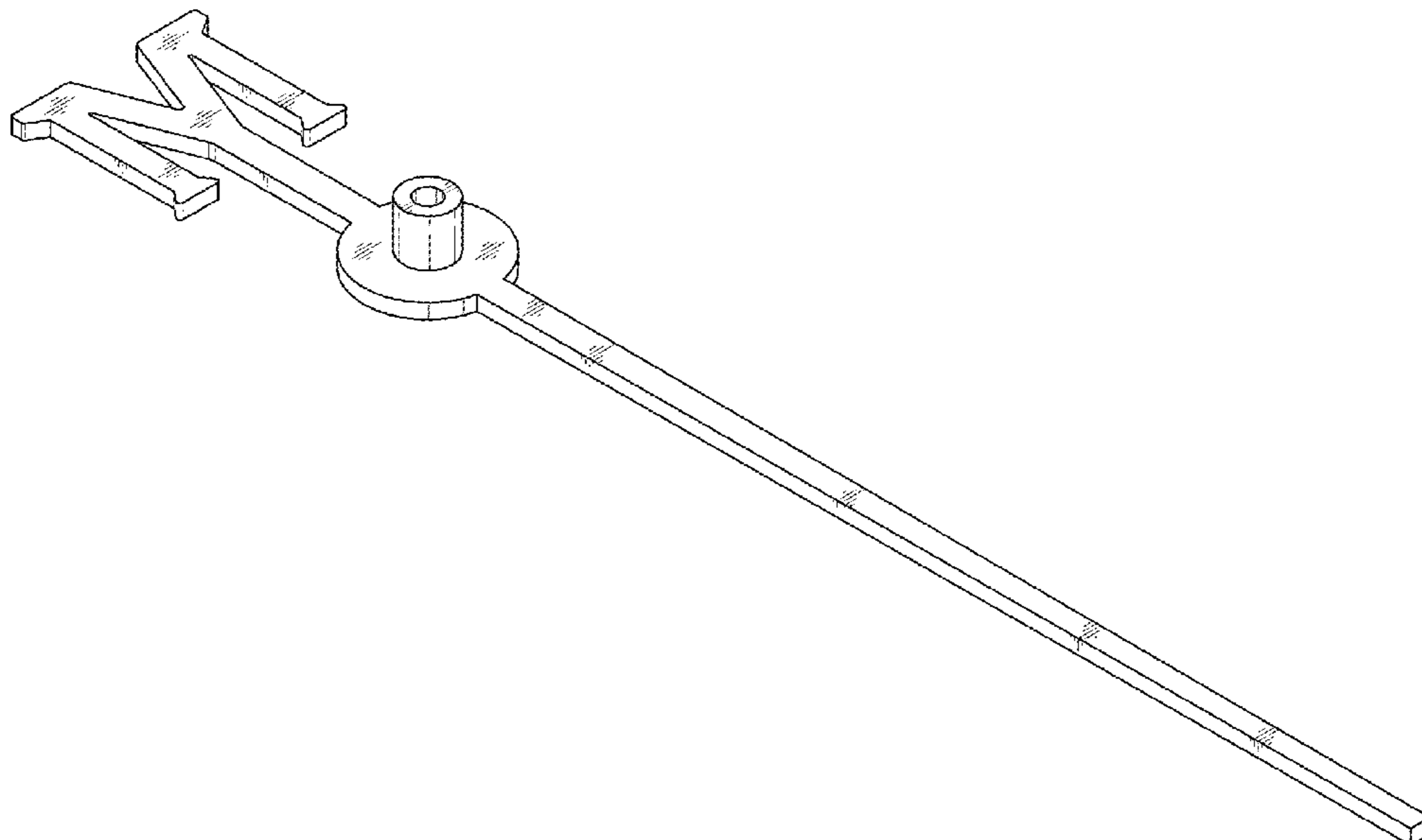
(57) **CLAIM**

The ornamental design for a second hand for a watch, as shown and described.

DESCRIPTION

FIG. 1 is a Perspective view of a second hand for a watch showing my new design;
FIG. 2 is a Front view thereof;
FIG. 3 is a Back view thereof;
FIG. 4 is an enlarged Left-side view thereof;
FIG. 5 is an enlarged Right-side view thereof;
FIG. 6 is a Top view thereof; and,
FIG. 7 is a Bottom view thereof.

1 Claim, 4 Drawing Sheets



(56)

References Cited

OTHER PUBLICATIONS

Detroit Watch Company M1-Woodward Chronograph Review | wornandwound.com; Jun. 2017 [online]. © 2011-2017, worn & wound LLC [retrieved May 21, 2021] from Internet: <<https://wornandwound.com/review/detroit-watch-company-m1-woodward-chronograph-review/>> (Year: 2017).*

* cited by examiner

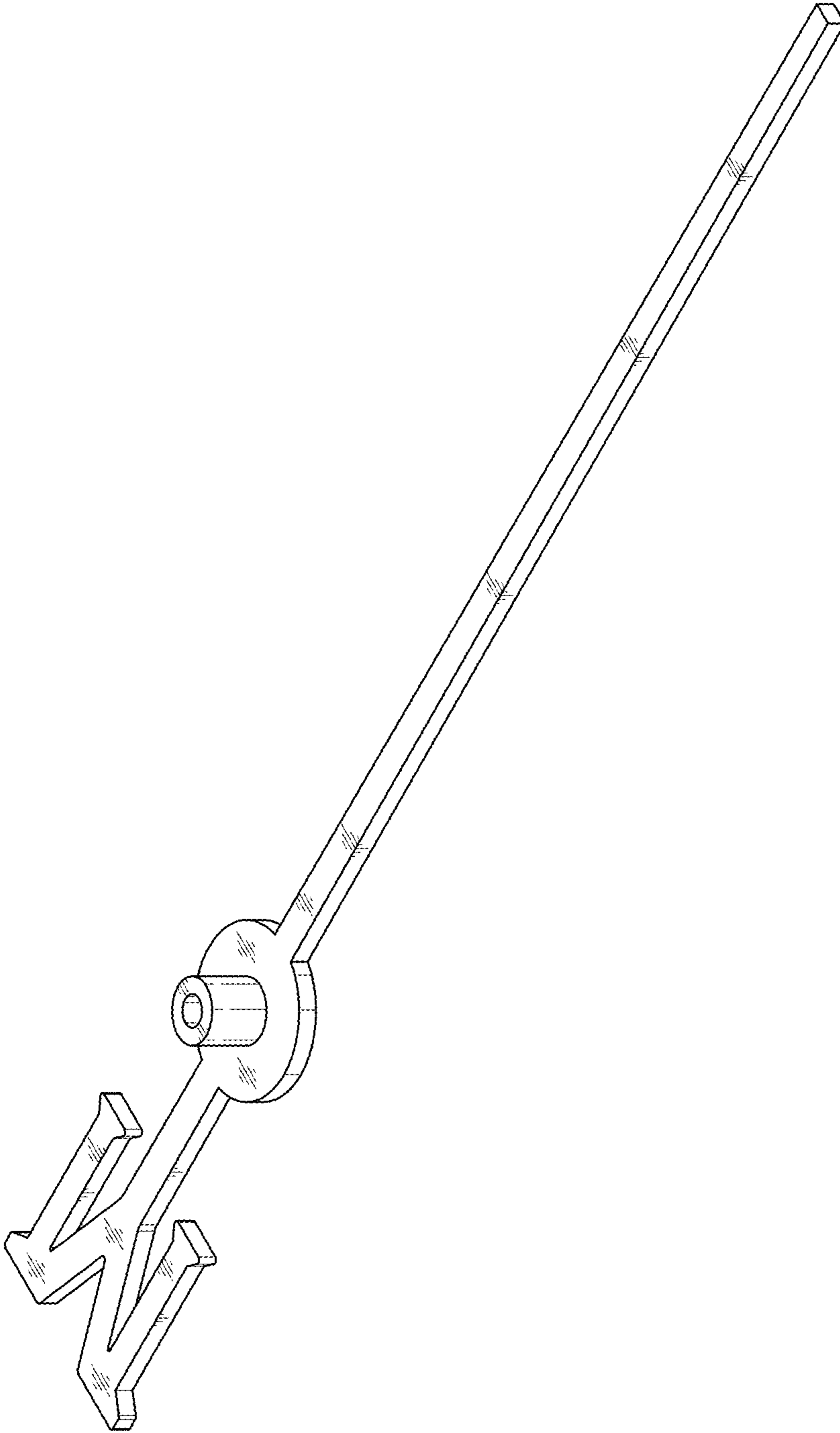


FIG. 1



FIG. 2



FIG. 3

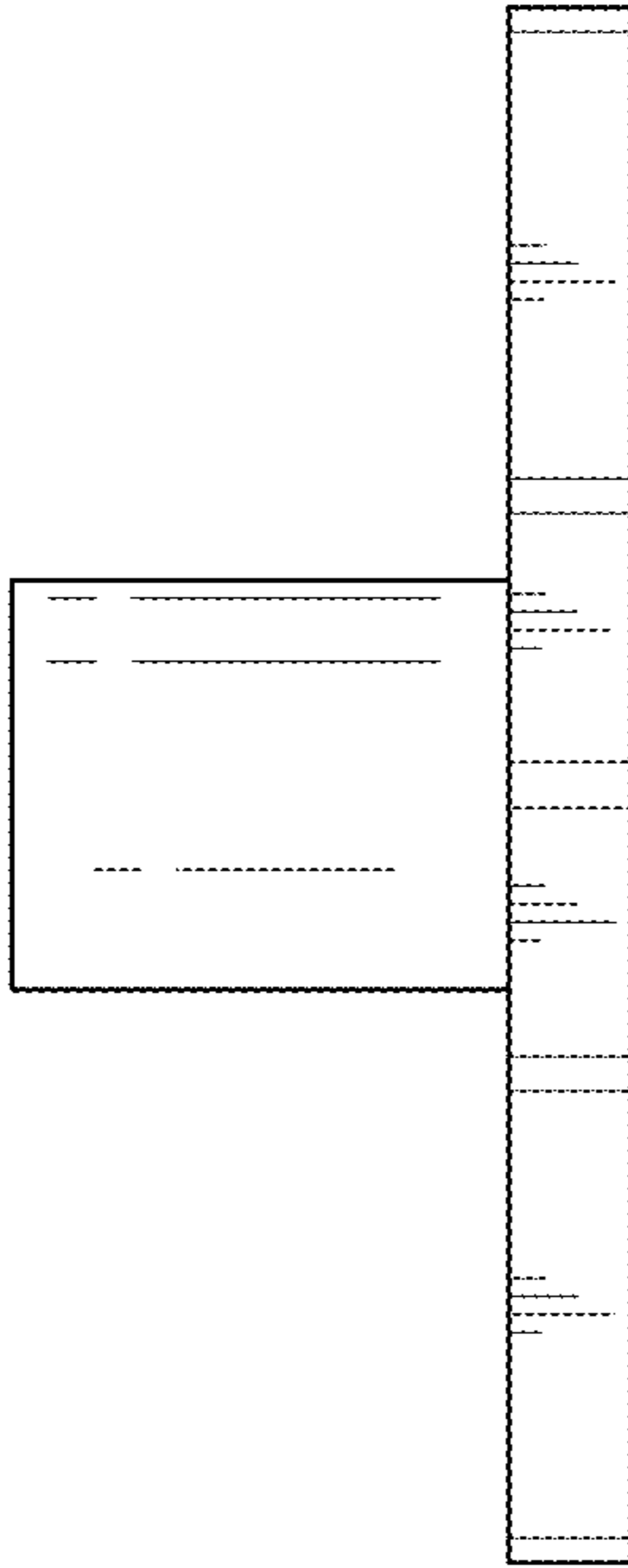


FIG. 5

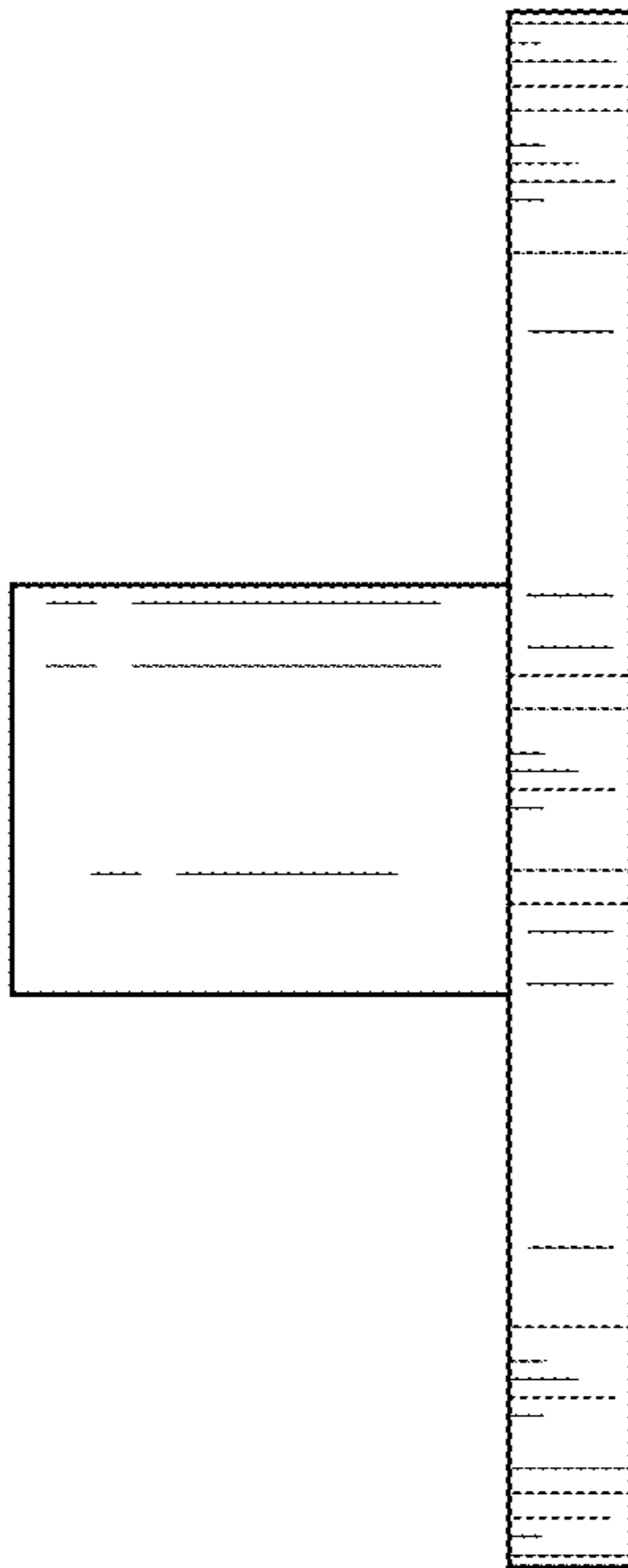


FIG. 4

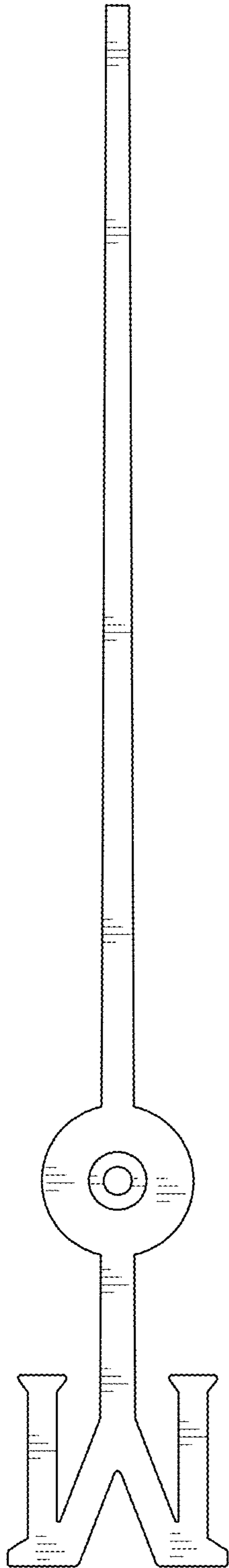


FIG. 6

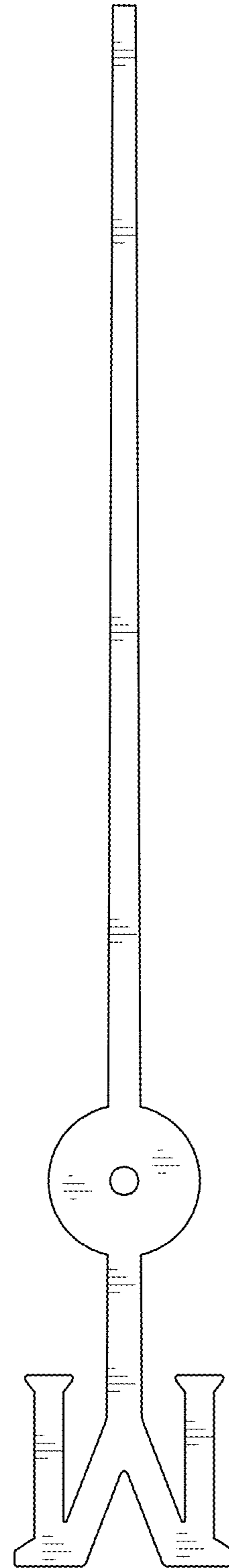


FIG. 7