



US00D928005S

(12) **United States Design Patent** (10) **Patent No.:** **US D928,005 S**
Smalley et al. (45) **Date of Patent:** **** Aug. 17, 2021**

(54) **DOORBELL** D813,700 S * 3/2018 Scalisi D10/118.2
D817,207 S * 5/2018 Scalisi D10/118.2
(71) Applicant: **Comcast Cable Communications, LLC**, Philadelphia, PA (US) D828,201 S * 9/2018 Jeong D10/118.2
D842,156 S * 3/2019 Hanna D10/118.2
D859,200 S * 9/2019 Siminoff D10/118.2

(72) Inventors: **Ryan Smalley**, Plymouth Meeting, PA (US); **Michael Jou**, Philadelphia, PA (US); **Erik Stefans**, Philadelphia, PA (US) * cited by examiner

(73) Assignee: **Comcast Cable Communications, LLC**, Philadelphia, PA (US) *Primary Examiner* — George D. Kirschbaum
Assistant Examiner — Joseph J Kukella

(**) Term: **15 Years** (74) *Attorney, Agent, or Firm* — Banner & Witcoff, Ltd.

(21) Appl. No.: **29/712,320** (57) **CLAIM**
The ornamental design for a doorbell, as shown and described.

(22) Filed: **Nov. 7, 2019**

(51) **LOC (13) Cl.** **10-05**

(52) **U.S. Cl.** **D10/118.2**

(58) **Field of Classification Search** **DESCRIPTION**

USPC **D10/118.2**
D10/106.6, 106.7, 106.8, 116.1, 118, D14/358
D10/118.2, 121–124, 126; D13/171, 174;
D14/358

CPC ... G08B 3/00; G08B 3/10; G08B 7/00; G08B 7/06; G08B 13/1436; G08B 13/1463; G08B 13/1481

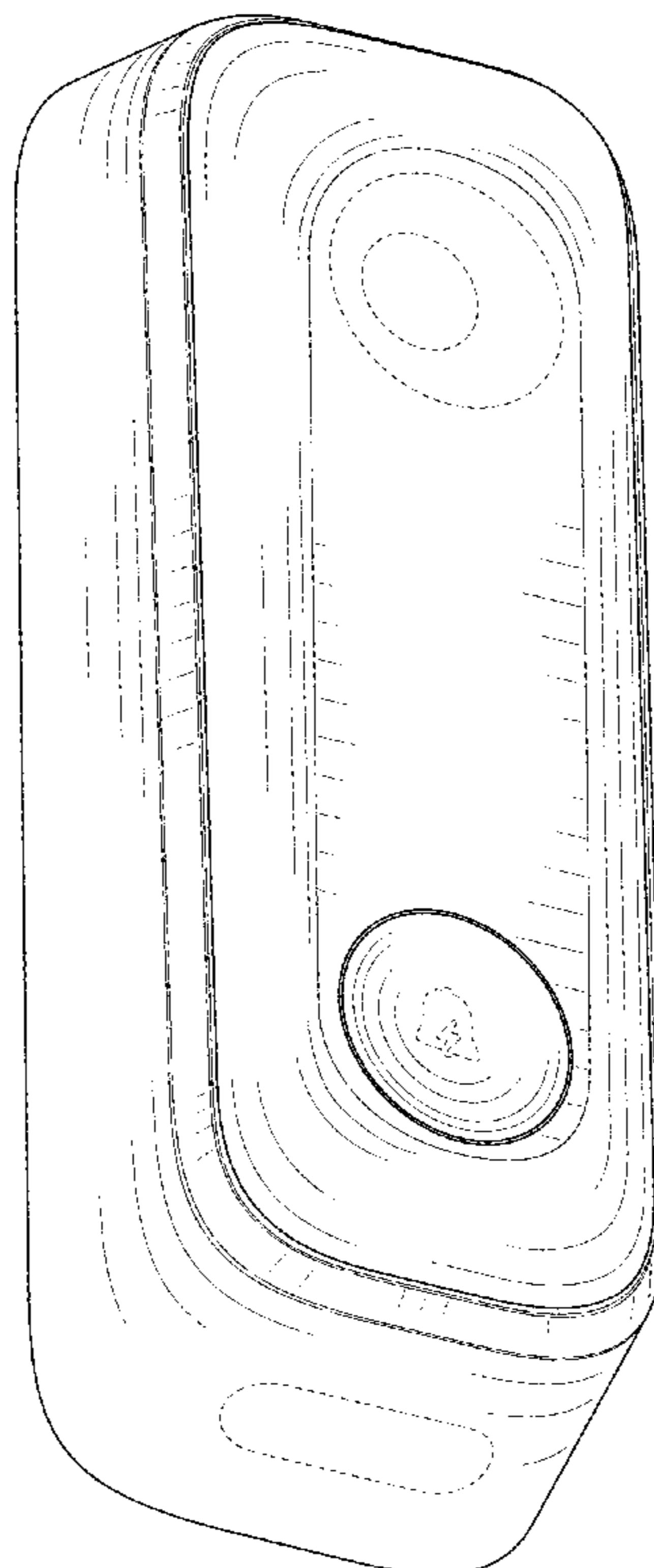
See application file for complete search history.

(56) **References Cited**

U.S. PATENT DOCUMENTS

D787,359 S * 5/2017 Scalisi D10/118.2
D795,940 S * 8/2017 Huang D16/203

1 Claim, 8 Drawing Sheets



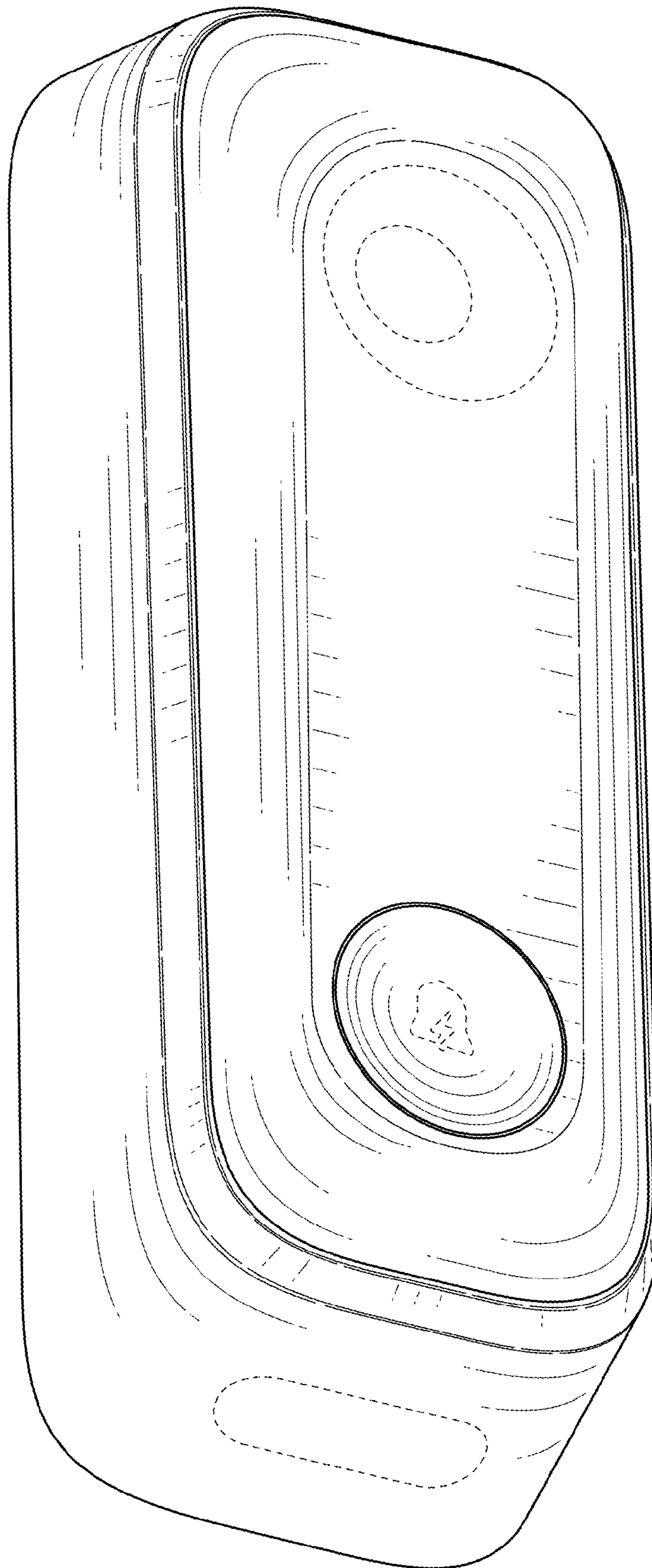


FIG. 1

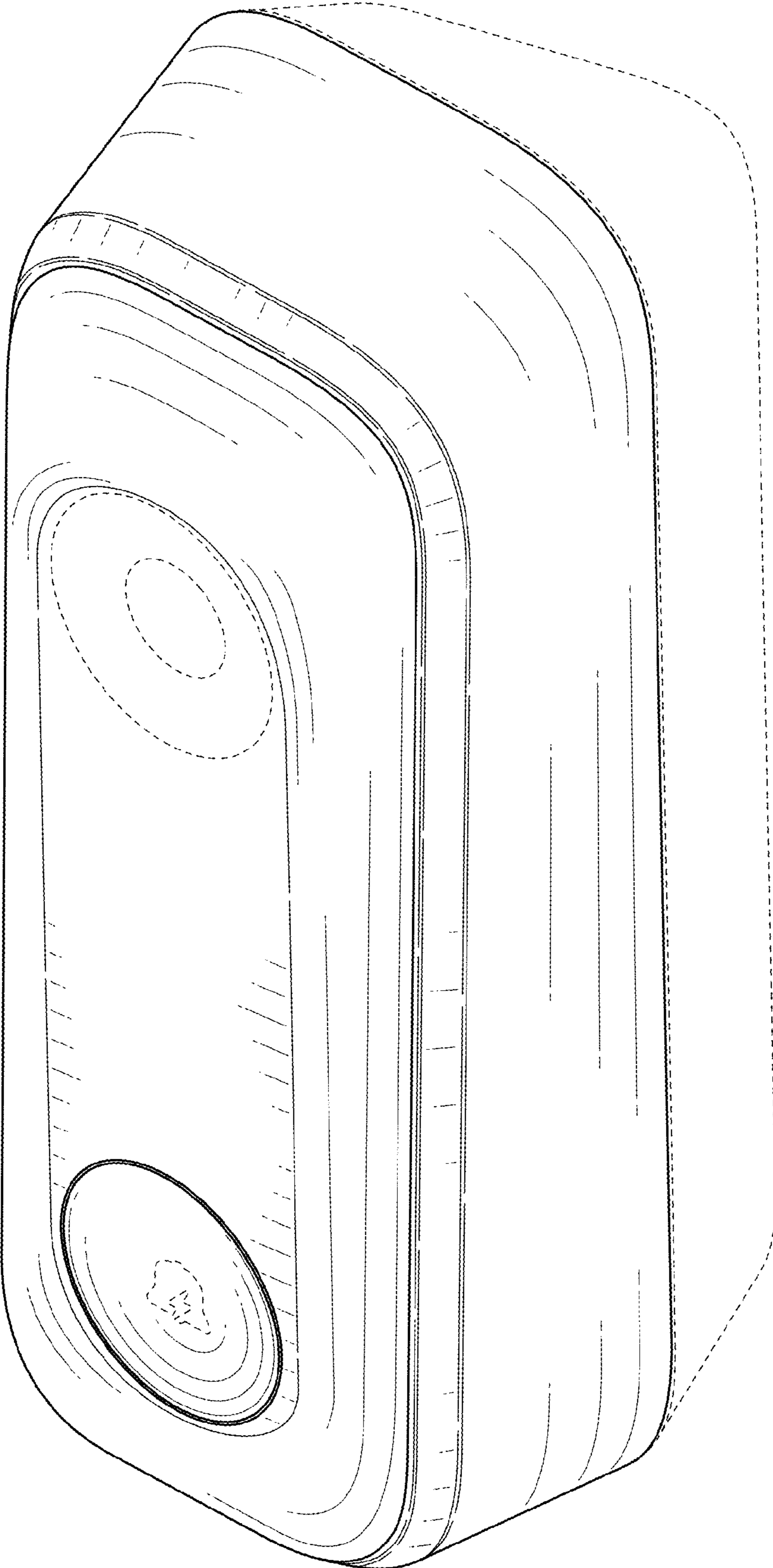


FIG. 2

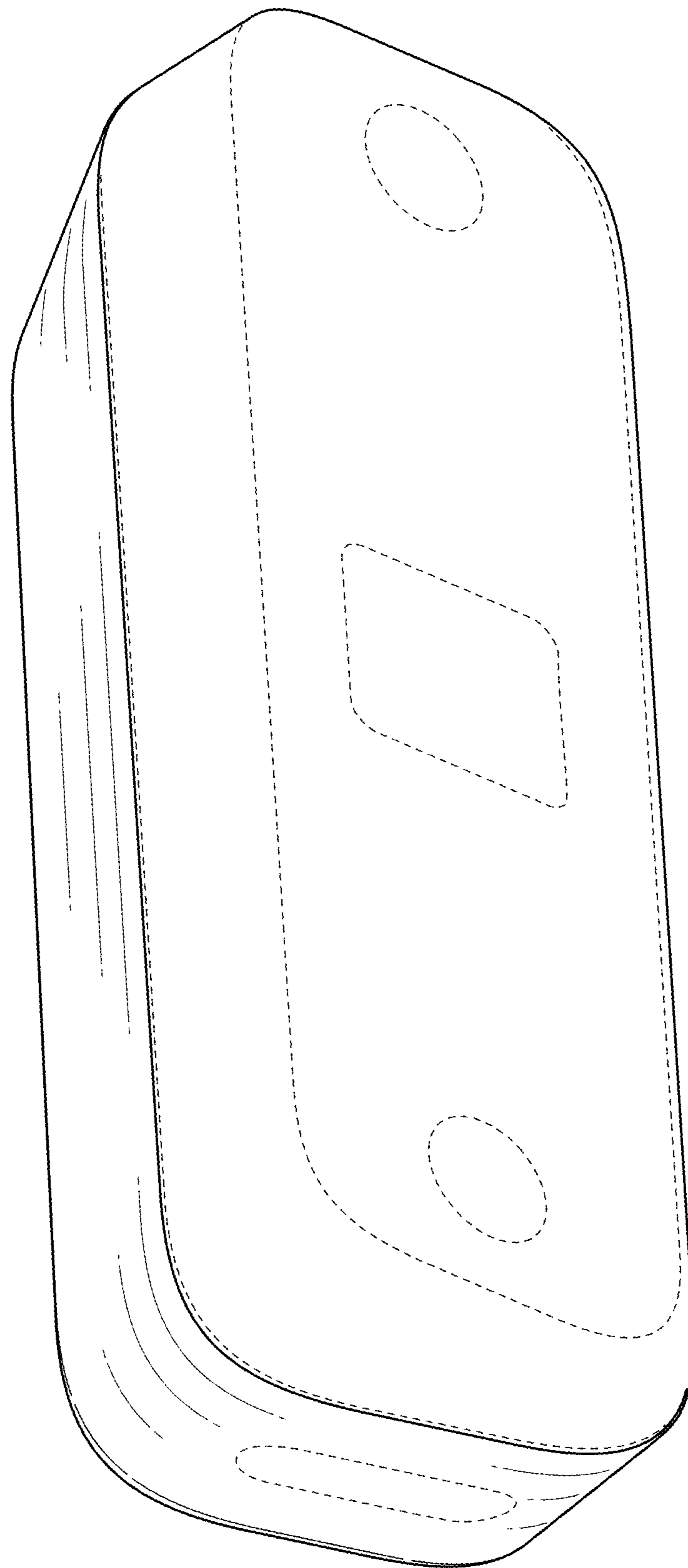


FIG. 3

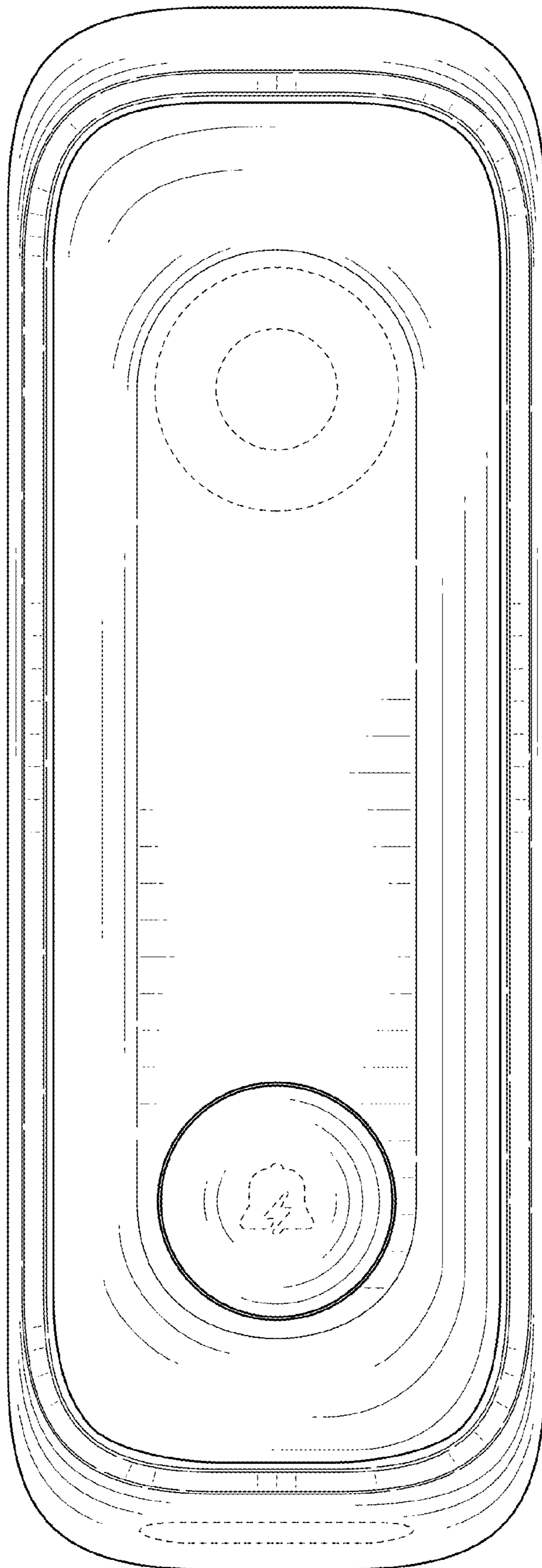


FIG. 4

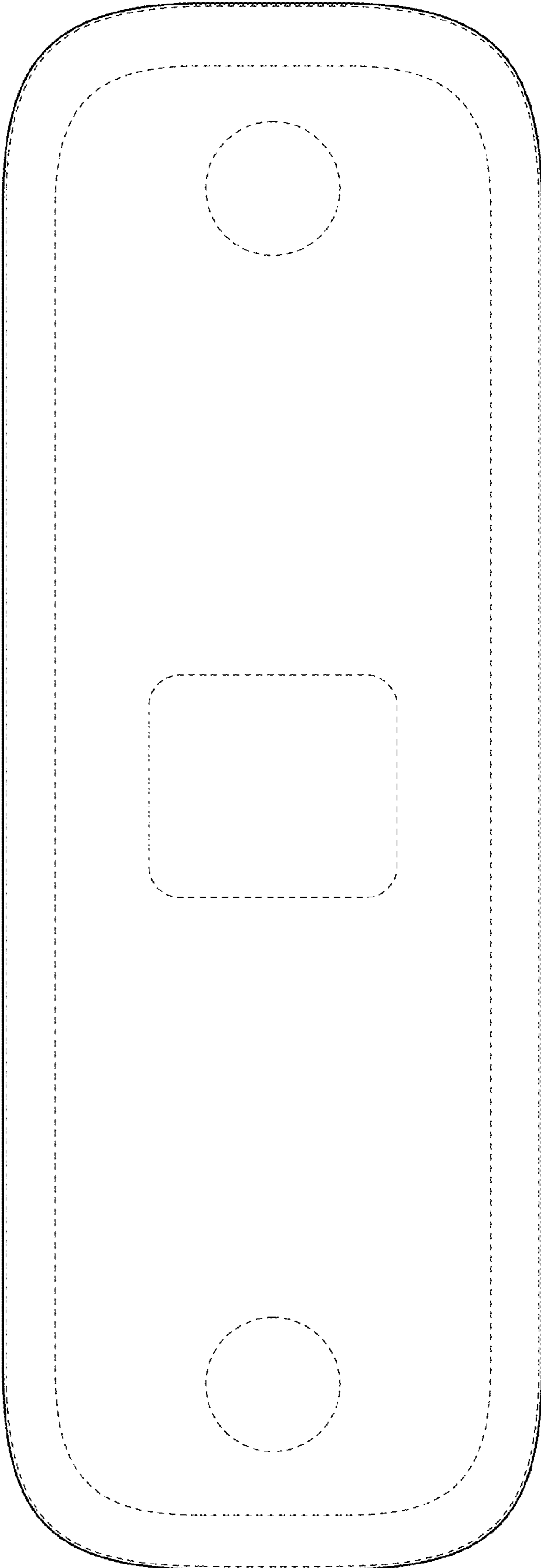


FIG. 5

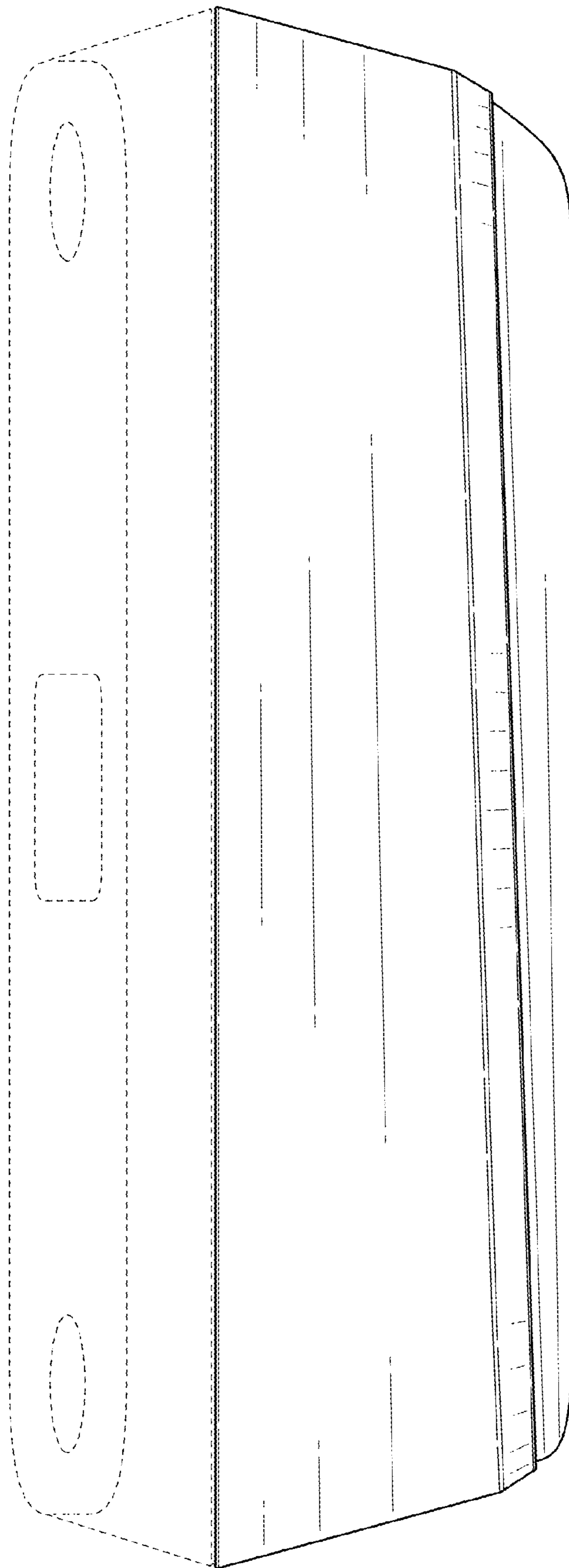


FIG. 6

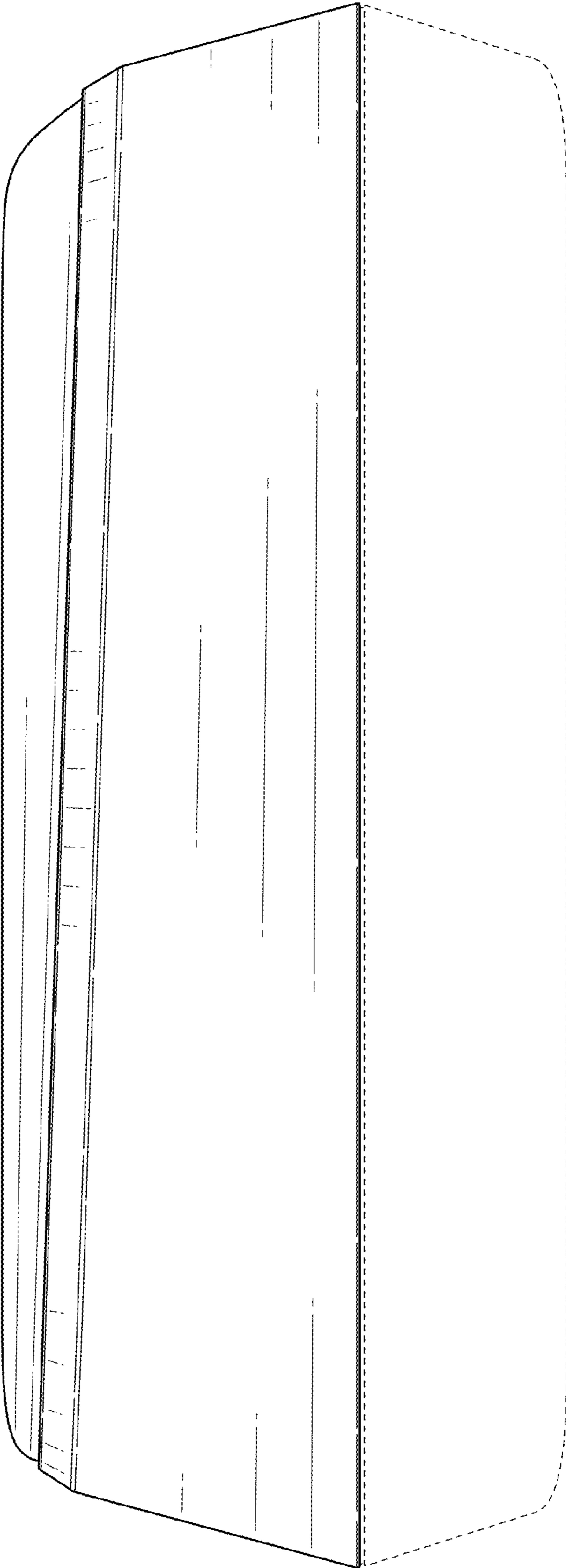


FIG. 7

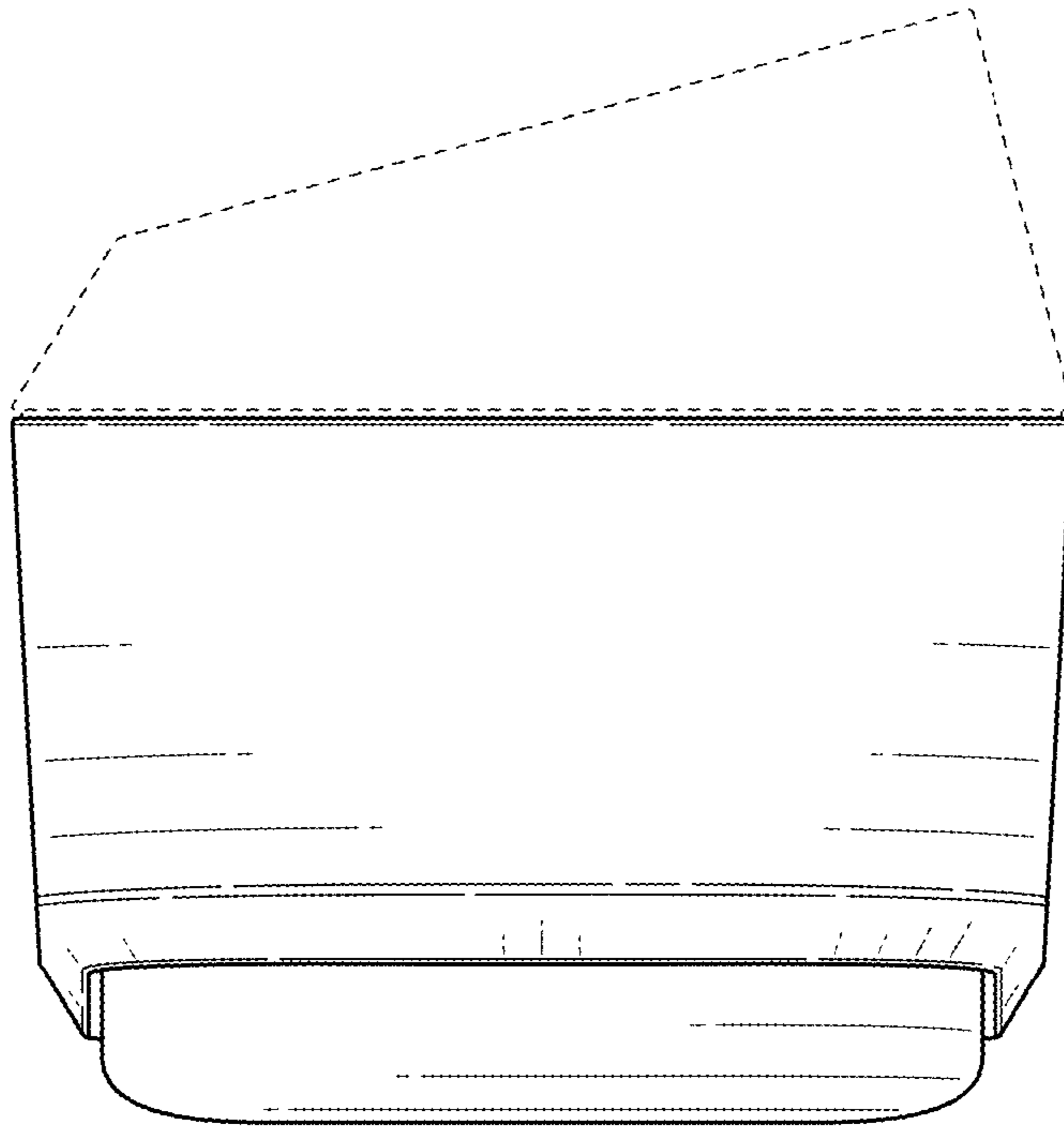


FIG. 8

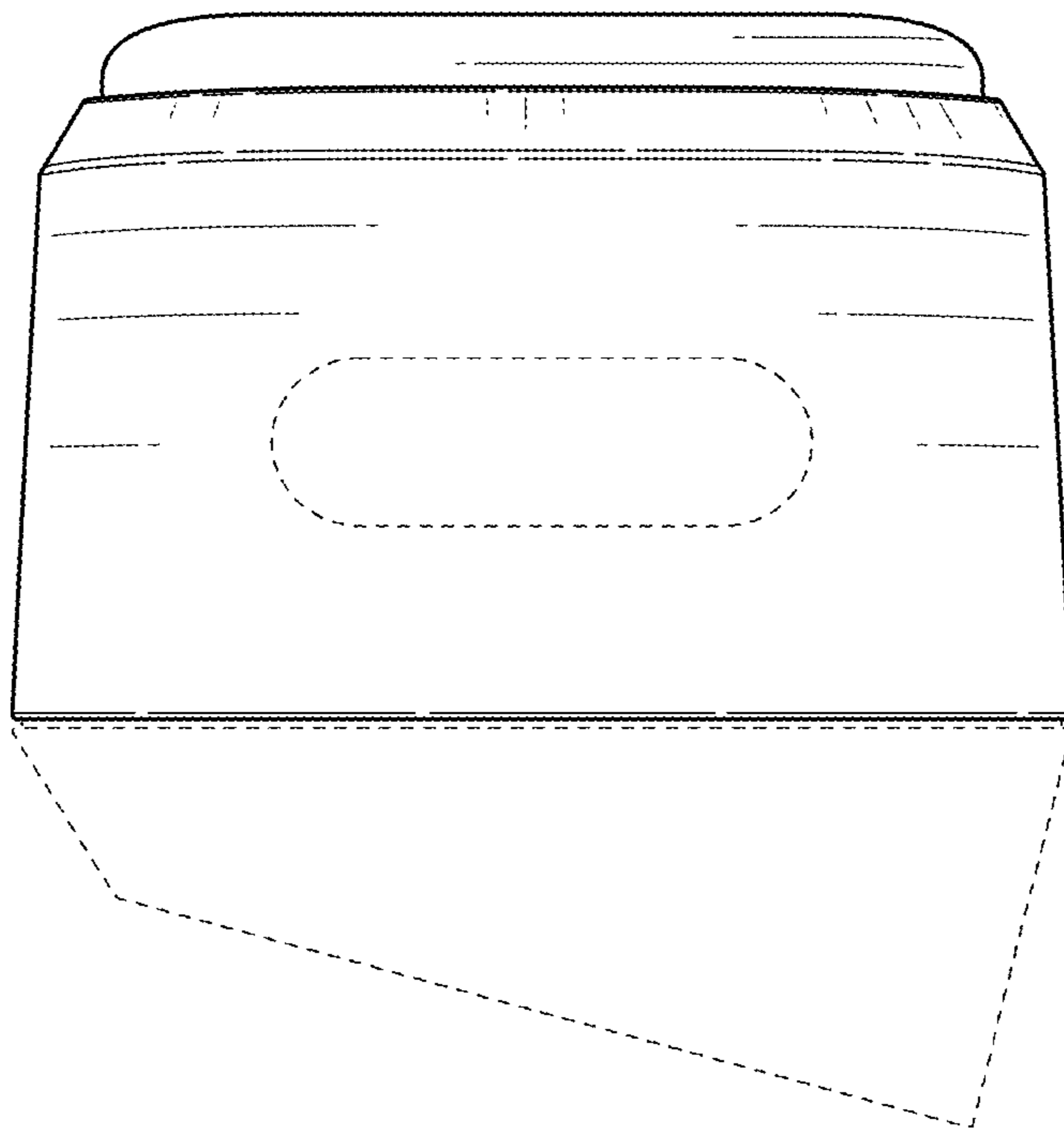


FIG. 9