



US00D928003S

(12) **United States Design Patent** (10) **Patent No.:** **US D928,003 S**
Yu (45) **Date of Patent:** **** Aug. 17, 2021**

(54) **ELECTRONIC SCALE**
(71) Applicant: **SHENZHEN UNIQUE SCALES CO., LTD.**, Shenzhen (CN)
(72) Inventor: **Huayun Yu**, Shenzhen (CN)
(73) Assignee: **SHENZHEN UNIQUE SCALES CO., LTD.**, Shenzhen (CN)

D858,331 S * 9/2019 Yu D10/92
D859,193 S * 9/2019 Yu D10/92
D873,688 S * 1/2020 Fu D10/92
(Continued)

(**) Term: **15 Years**

FOREIGN PATENT DOCUMENTS

(21) Appl. No.: **29/720,380**

CN 302720331 * 9/2013
CN 303094806 * 8/2014
(Continued)

(22) Filed: **Jan. 13, 2020**

(51) **LOC (13) Cl.** **10-04**
(52) **U.S. Cl.**
USPC **D10/92**

OTHER PUBLICATIONS

Loftilla Store, Bathroom Scale, Date first available Sep. 27, 2019, [online]retrieved Jun. 11, 2021,available from https://www.amazon.com/Loftilla-Bathroom-Scale-Body-Weight/dp/B07WK8JMK8/ref=sr_1_14?dchild=1&keywords=bathroom+smart+scale&qid=1623431704&sr=8-14 (Year: 2019).*

(58) **Field of Classification Search**
USPC D10/91, 92, 46, 83, 87; 177/128, 256, 177/74, 179
CPC G01G 21/286; G01G 21/28; G01G 21/00; G01G 21/30; G01G 23/3728; G01G 23/3735; G01G 19/44; G01G 3/14; G01G 19/46; G01G 19/48; G01G 19/50; G01G 21/44; G01G 19/414; G01G 19/4144; G01G 19/42; F16F 1/123; A61B 5/053; A61B 5/4872; A61B 5/0537; A61B 5/4869; A61B 5/6825; A61B 5/6829; A61B 5/7445; G06Q 20/3678; G06Q 20/387; G06Q 20/065; G06Q 20/36; G06Q 20/06; G09B 19/00
See application file for complete search history.

(Continued)

Primary Examiner — Keli L Hill
Assistant Examiner — Sara S Sahneh
(74) *Attorney, Agent, or Firm* — Li & Cai Intellectual Property (USA) Office

(56) **References Cited**

U.S. PATENT DOCUMENTS

D623,972 S * 9/2010 Ogihara D10/92
D718,162 S * 11/2014 Kobayakawa D10/92
D792,257 S * 7/2017 Azimi D10/92
D796,361 S * 9/2017 Bihan D10/92
D798,175 S * 9/2017 Donovan D10/92
D808,287 S * 1/2018 Liang D10/92
D808,288 S * 1/2018 Yu D10/92

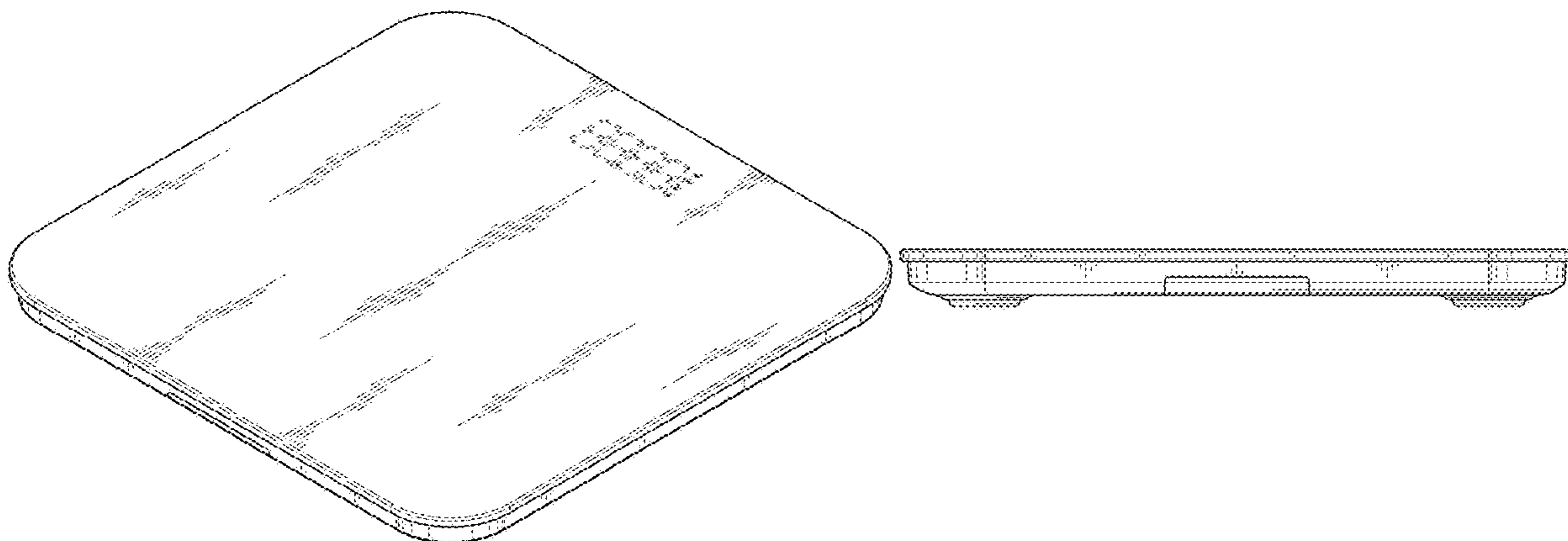
(57) **CLAIM**

The ornamental design for an electronic scale, as shown and described.

DESCRIPTION

FIG. 1 is a top, front and right perspective view of an electronic scale showing my new design; FIG. 2 is a front elevational view thereof; FIG. 3 is a rear elevational view thereof; FIG. 4 is a left side elevational view thereof; FIG. 5 is a right side elevational view thereof; FIG. 6 is a top plan view thereof; and, FIG. 7 is a bottom plan view thereof. The broken lines depict portions of the electronic scale in which the design is embodied that forms no part of the claimed design.

1 Claim, 5 Drawing Sheets



(56)

References Cited

U.S. PATENT DOCUMENTS

D875,584 S * 2/2020 Yu D10/92
D883,118 S * 5/2020 Centen D10/91
D895,464 S * 9/2020 Wang D10/92

FOREIGN PATENT DOCUMENTS

CN 303206325 * 11/2014
CN 304710135 * 11/2017
CN 304902692 * 4/2018
CN 305602366 * 7/2019
CN 306091501 * 1/2020

OTHER PUBLICATIONS

Fitbit Store,Digital Smart Scale,Date first available Sep. 23, 2019,
[online]retrieved Apr. 27, 2021,available from https://www.amazon.com/Fitbit-FB203BK-Bluetooth-Digital-Weight/dp/B07VV6GKDS/ref=sr_1_25?dchild=1&keywords=SHENZHEN+SCALES&qid=1619540106&sr=8-25 (Year: 2019).*

RENPHO Store,Digital Bathroom Scale,Date first available May 26, 2019, [online]retrieved Apr. 27, 2021,available from https://www.amazon.com/RENPHO-Digital-Bathroom-Accurate-Technology/dp/B07SBSNK4T/ref=sr_1_49?dchild=1&keywords=SHENZHEN+SCALES&qid=1619540507&sr=8-49 (Year: 2019).*

Etekcitey Digital Body Weight Bathroom Scale,Date first available Mar. 19, 2018, [online]retrieved Apr. 27, 2021,available from https://www.amazon.com/Etekcitey-Bathroom-Backlight-Precision-Measurements/dp/B078J9MYF7/ref=sr_1_50?dchild=1&keywords=SHENZHEN+SCALES&qid=1619540507&sr=8-50 (Year: 2018).*

* cited by examiner

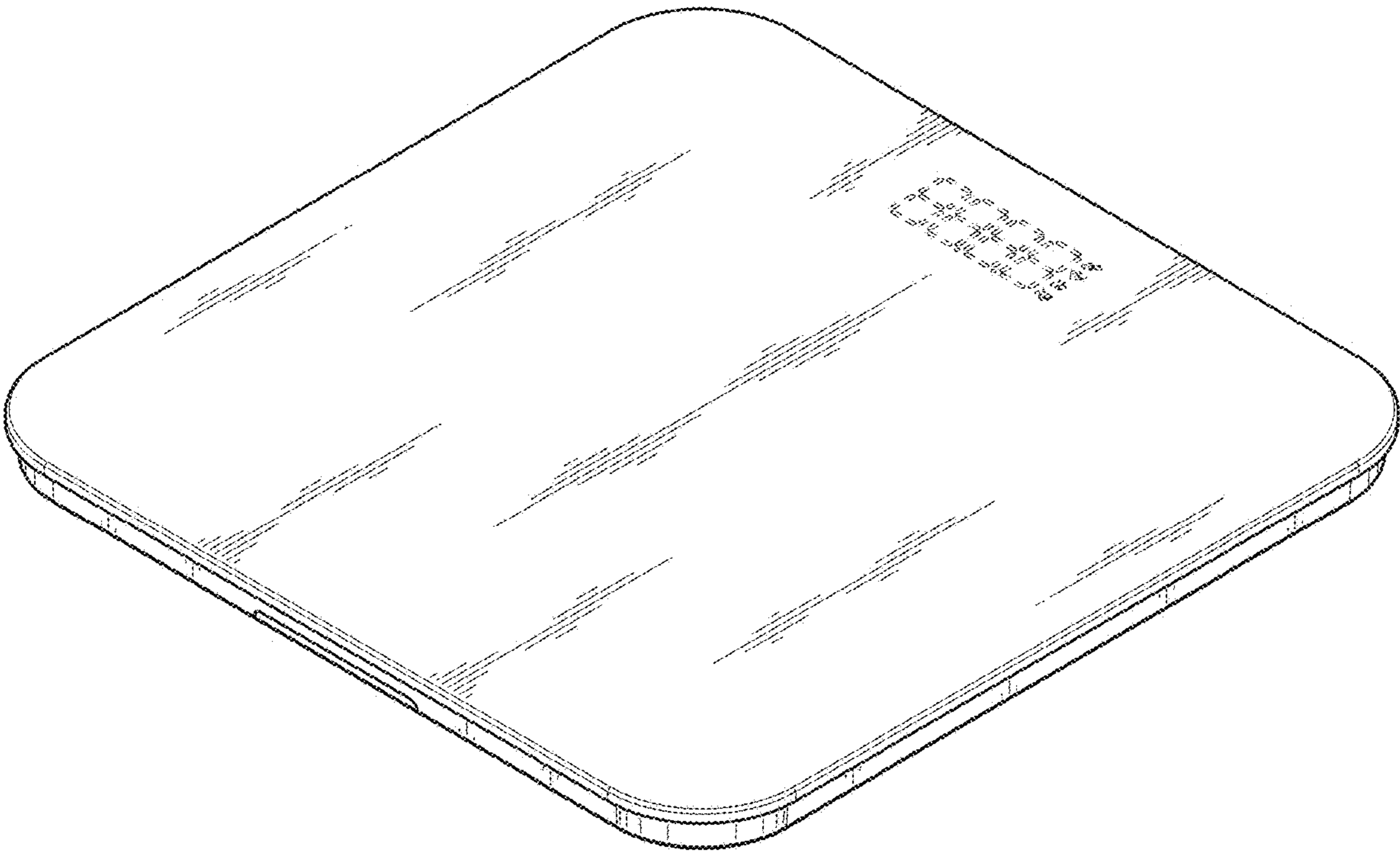


FIG. 1

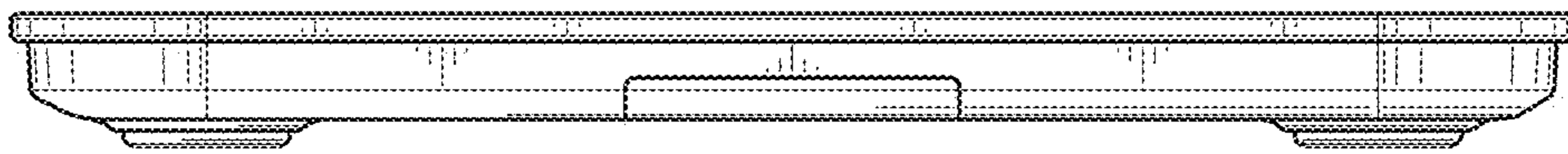


FIG. 2

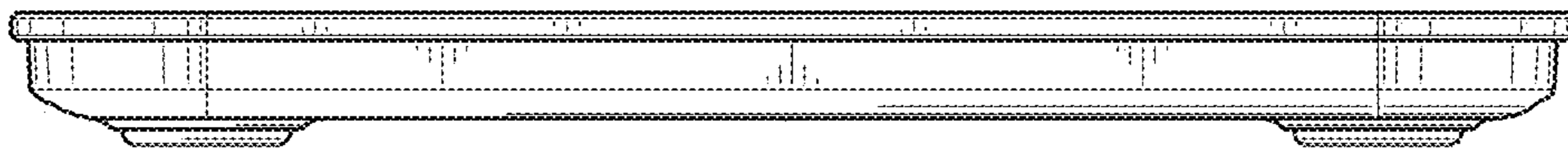


FIG. 3

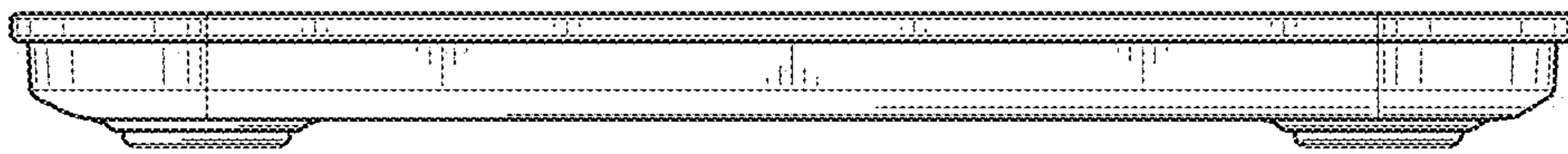


FIG. 4

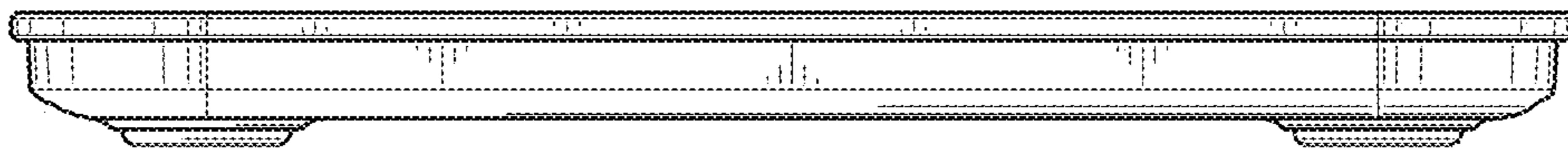


FIG. 5

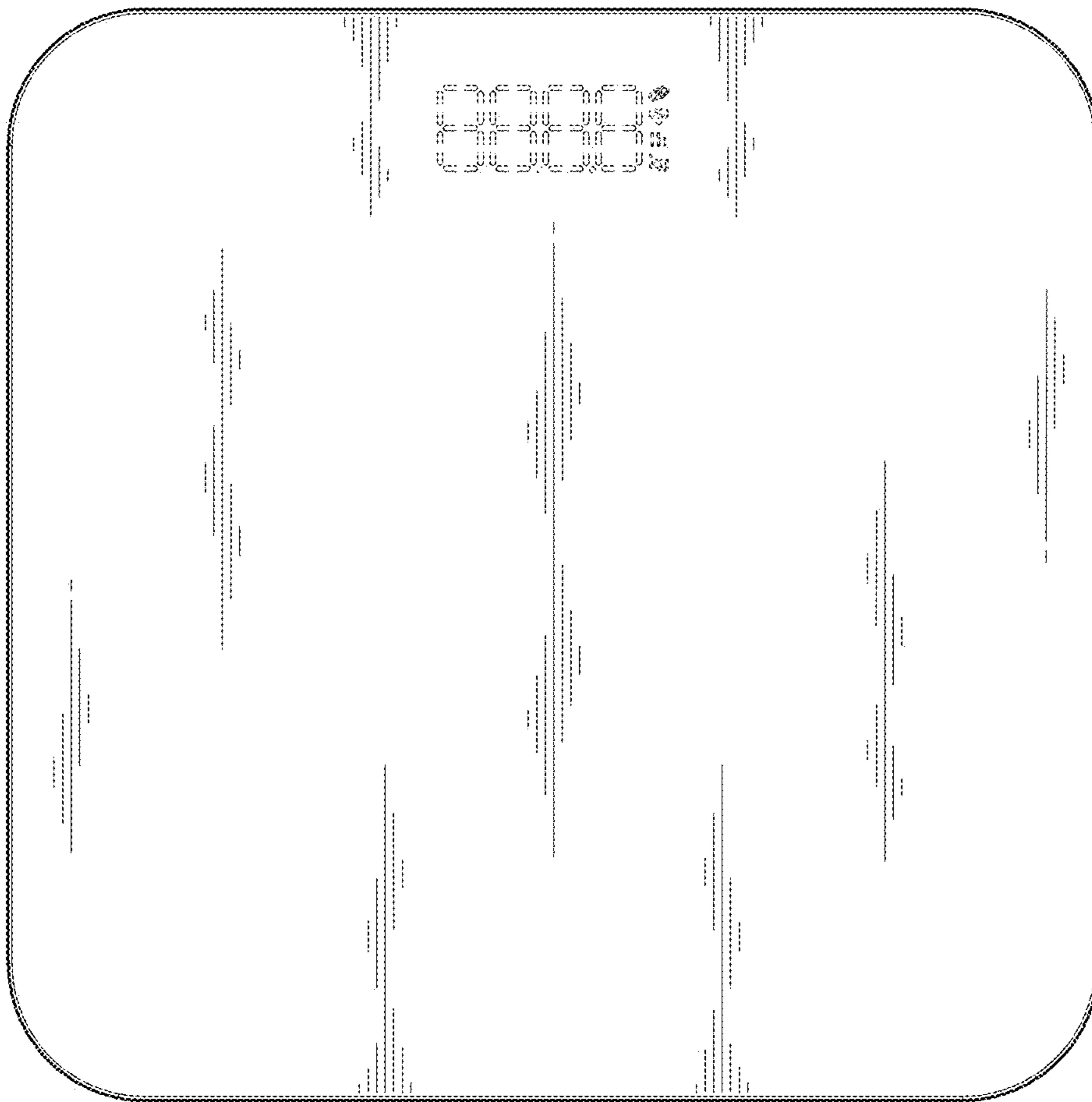


FIG. 6

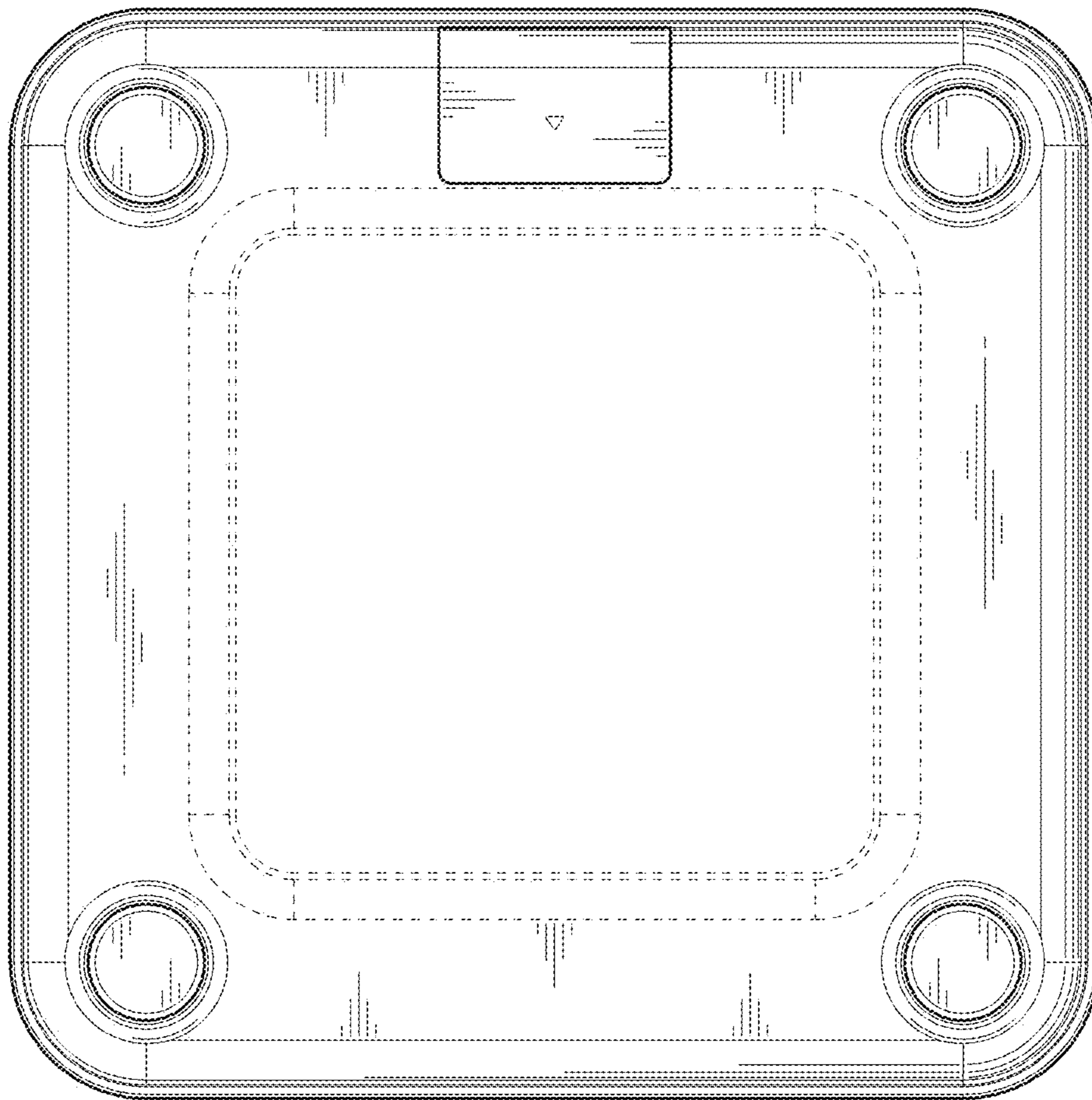


FIG. 7