



US00D928002S

(12) **United States Design Patent** (10) **Patent No.:** **US D928,002 S**
Lu (45) **Date of Patent:** **** Aug. 17, 2021**

(54) **VEHICLE COMMUNICATION INTERFACE**

(71) Applicant: **AUTEL INTELLIGENT TECHNOLOGY CORP., LTD.,**
Guangdong (CN)

(72) Inventor: **Boming Lu,** Guangdong (CN)

(73) Assignee: **AUTEL INTELLIGENT TECHNOLOGY CORP., LTD.,**
Guangdong (CN)

(**) Term: **15 Years**

(21) Appl. No.: **29/706,507**

(22) Filed: **Sep. 20, 2019**

(30) **Foreign Application Priority Data**

Mar. 20, 2019 (CN) 201930117183.9

(51) **LOC (13) Cl.** **10-04**

(52) **U.S. Cl.**
USPC **D10/78**

(58) **Field of Classification Search**

USPC D10/75, 78

CPC G01D 5/00; G01M 17/00; G01M 17/007;
G01M 15/05; F17D 1/08; F02P 17/08;
G01R 31/319; G01R 31/28; G01R 31/007; G01R 31/3648; G01R 31/3693;
G01R 31/3627; G01R 31/31907; G06F 1/166; G06F 1/1656; G06F 1/1626; G06F 1/1609; G06F 1/637; G06F 3/03547; G06F 3/04842; G06F 3/04817; G06F 21/00; G06F 17/00; G07C 2205/02; G07C 5/00; G07C 5/002; G07C 5/004; G07C 5/006; G07C 5/008; G07C 5/02; G07C 5/04; G07C 5/06; G07C 5/08; G07C 5/0808; G07C 5/0816; G07C 5/0825; G07C 5/0833; G07C 5/0841; G07C 5/085; G07C 5/0858; G07C

5/0866; G07C 5/0875; G07C 5/0883; G07C 5/0891; G07C 3/00; F16B 1/00; F16B 2001/0035; G08B 21/187; G08B 21/182; G05B 15/02; F16M 13/02; G08C 17/00; G08C 17/02; G01S 1/02

See application file for complete search history.

(56) **References Cited**

U.S. PATENT DOCUMENTS

D721,290 S * 1/2015 Varacca D10/78
D725,520 S * 3/2015 Varacca D10/78
D795,722 S * 8/2017 Drew D10/78

* cited by examiner

Primary Examiner — Antoine Duval Davis

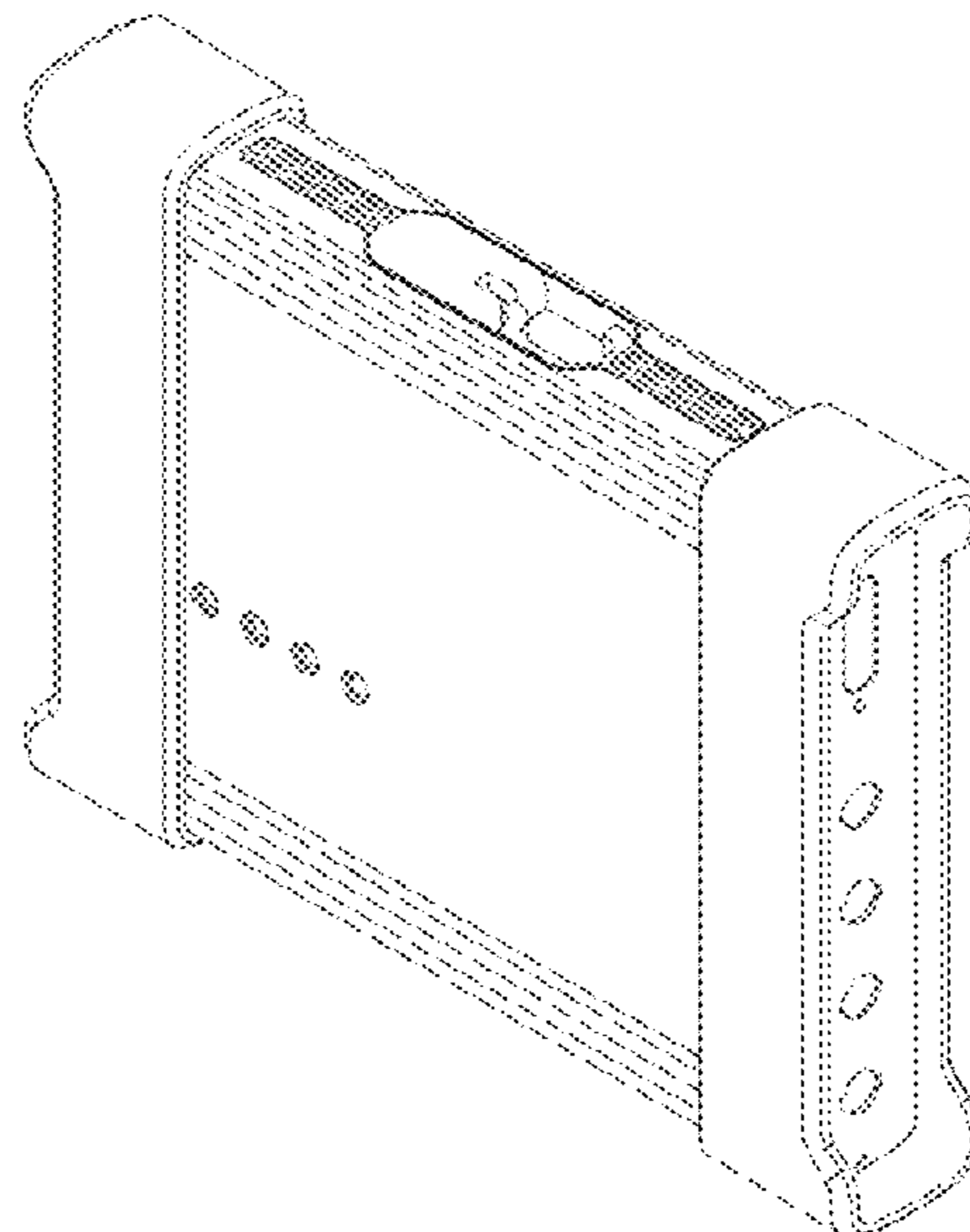
(57) **CLAIM**

I claim the ornamental design for a vehicle communication interface, as shown and described.

DESCRIPTION

FIG. 1 is a front elevational view of an industrial endoscope showing our new design 1;
FIG. 2 is a back elevational view thereof;
FIG. 3 is a left side elevational view thereof;
FIG. 4 is a right side elevational view thereof;
FIG. 5 is a top plan view thereof;
FIG. 6 is a bottom plan view thereof;
FIG. 7 is a perspective view thereof;
FIG. 8 is a front elevational view of an industrial endoscope showing our new design 2;
FIG. 9 is a back elevational view thereof;
FIG. 10 is a left side elevational view thereof;
FIG. 11 is a right side elevational view thereof;
FIG. 12 is a top plan view thereof;
FIG. 13 is a bottom plan view thereof; and,
FIG. 14 is a perspective view thereof.

1 Claim, 6 Drawing Sheets



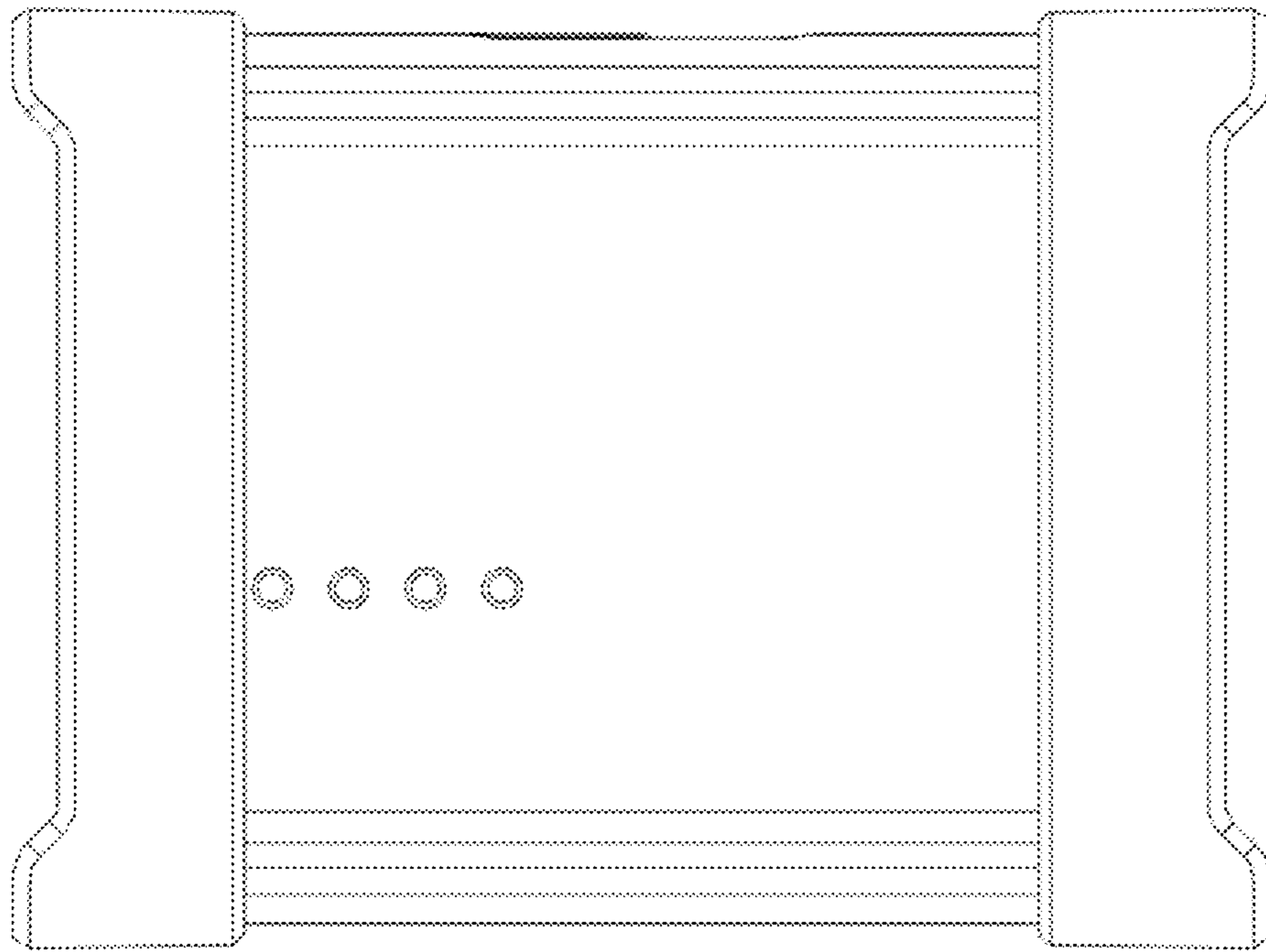


FIG.1

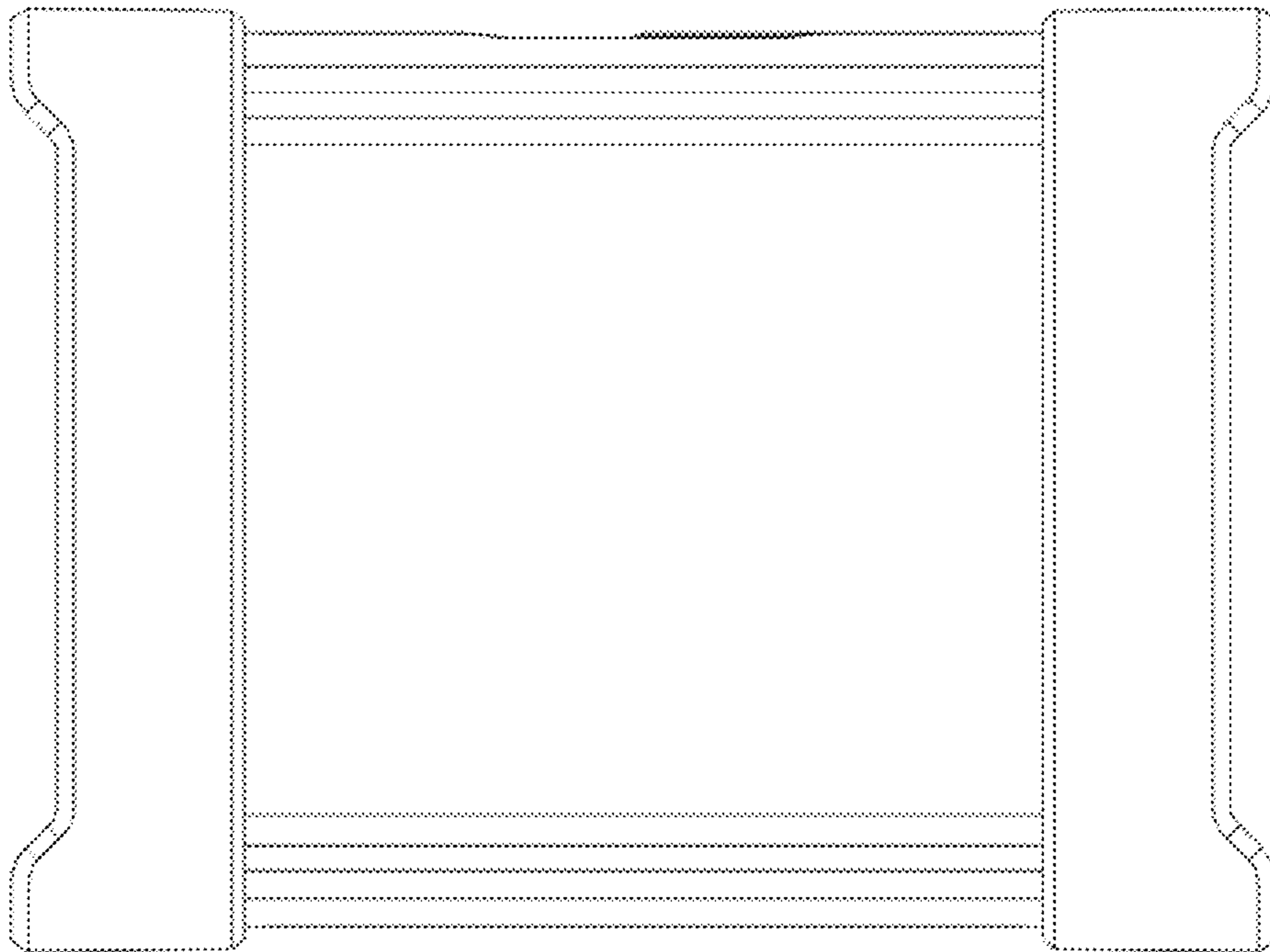


FIG.2

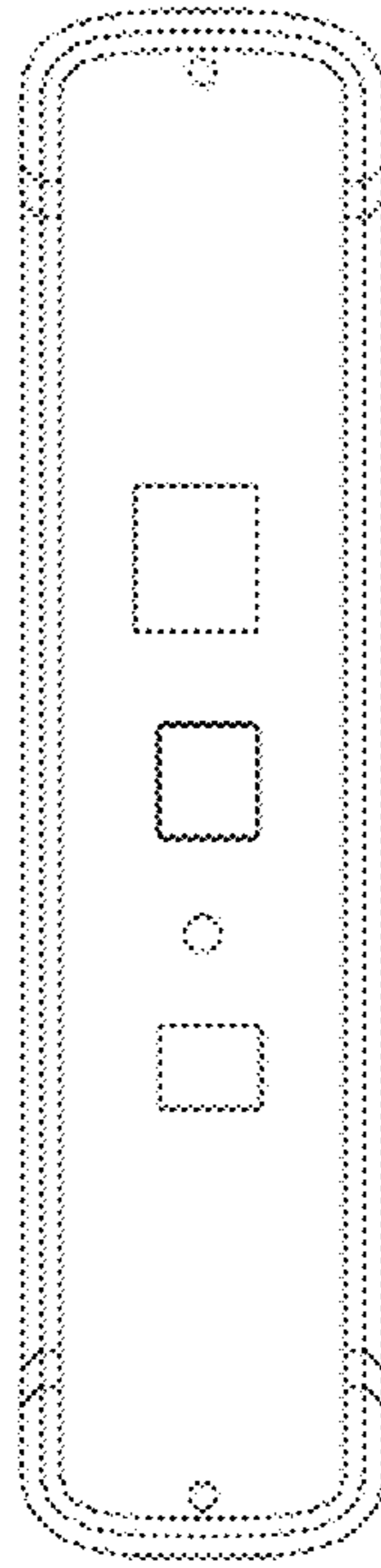


FIG.3

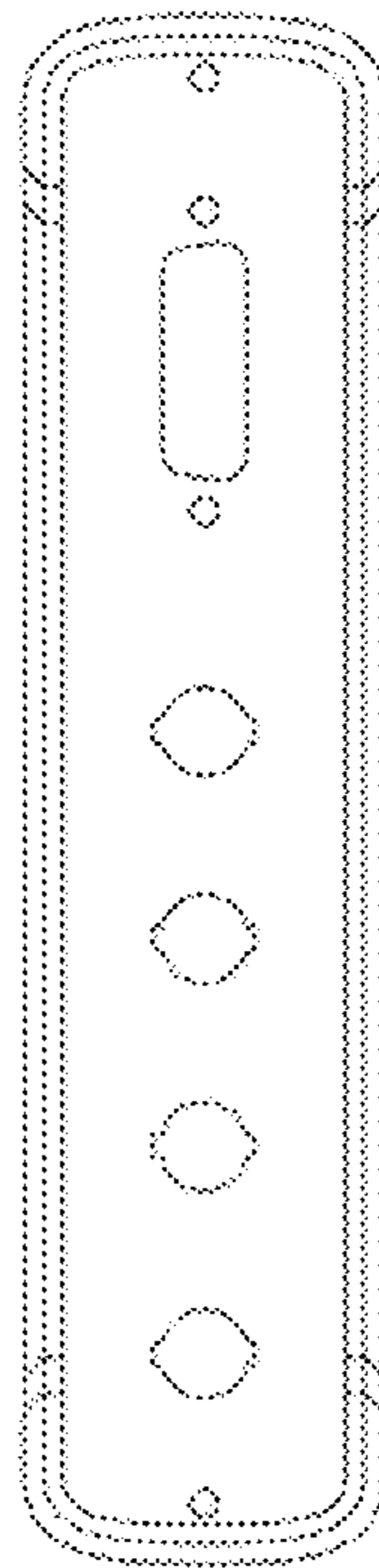


FIG.4

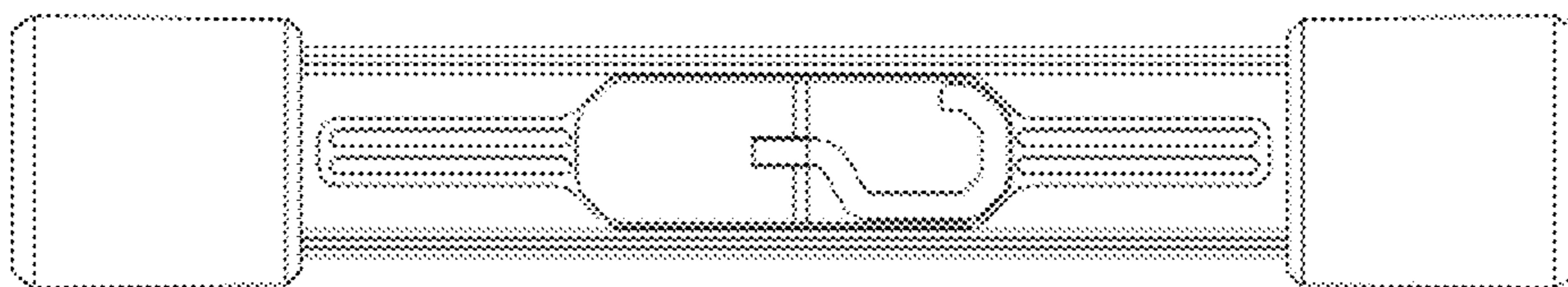


FIG.5

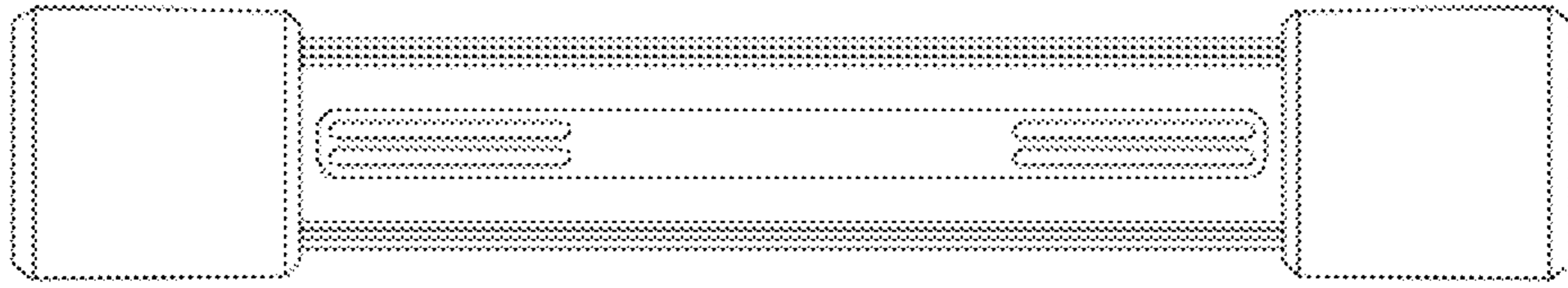


FIG. 6

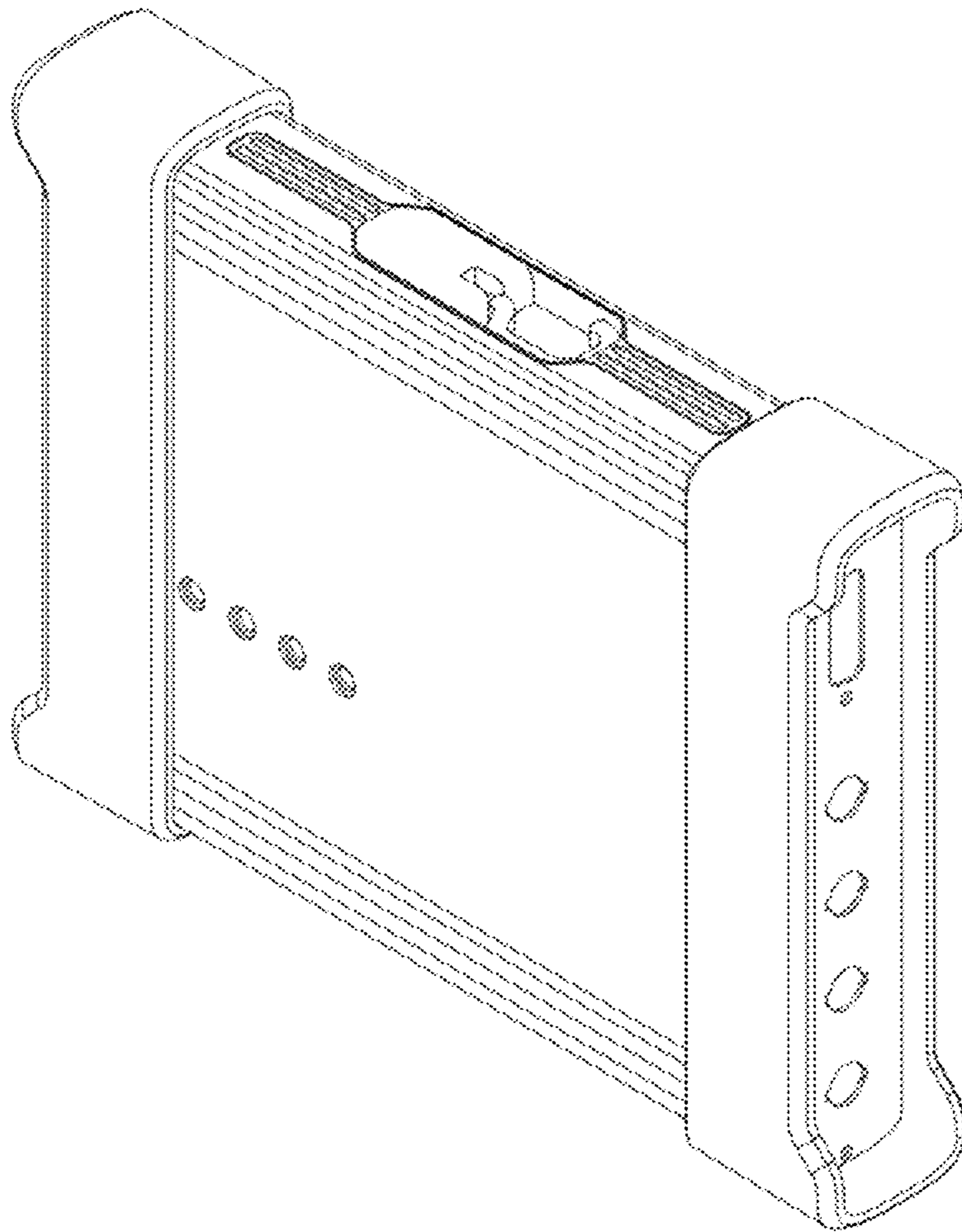


FIG. 7

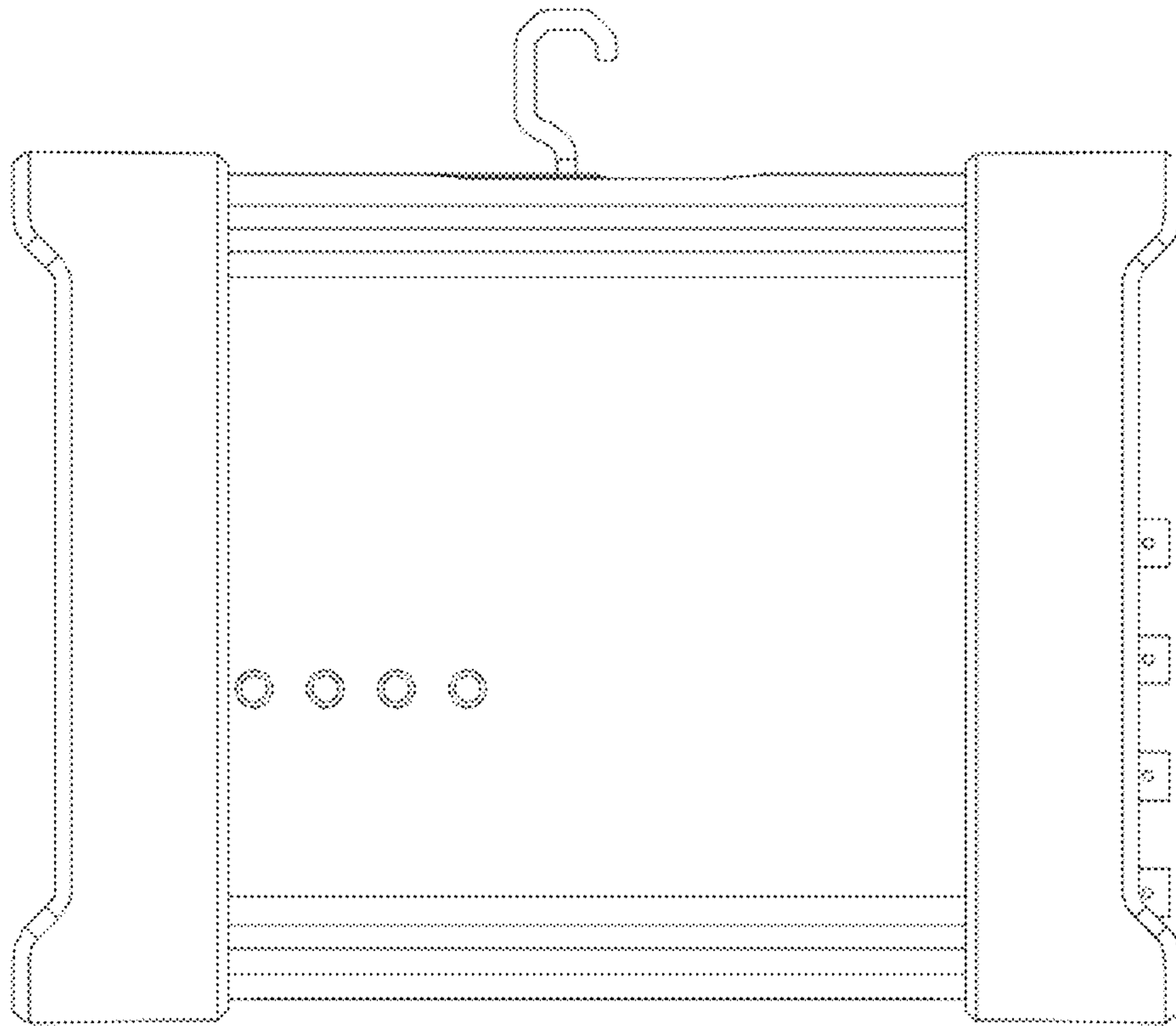


FIG. 8

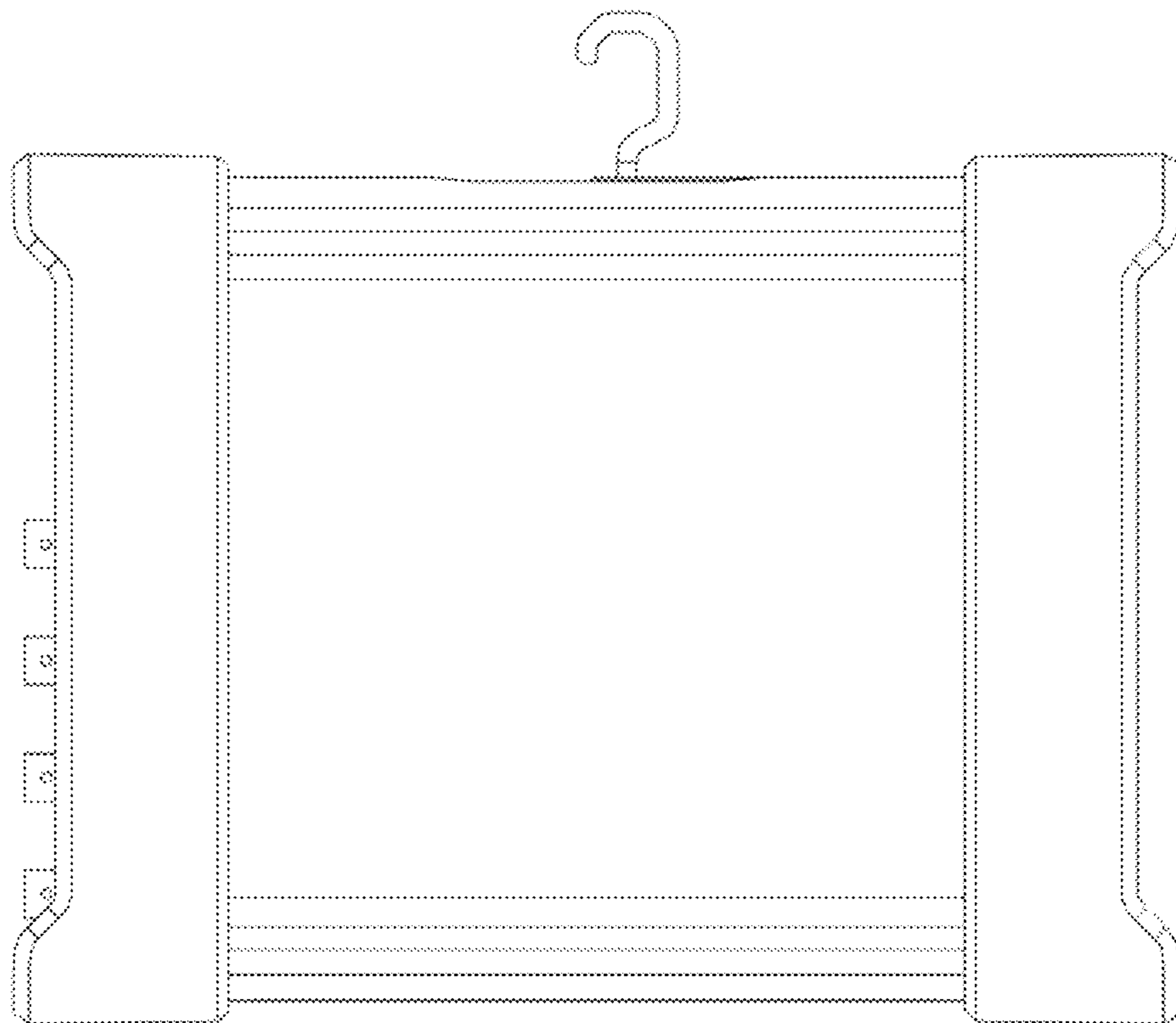


FIG. 9

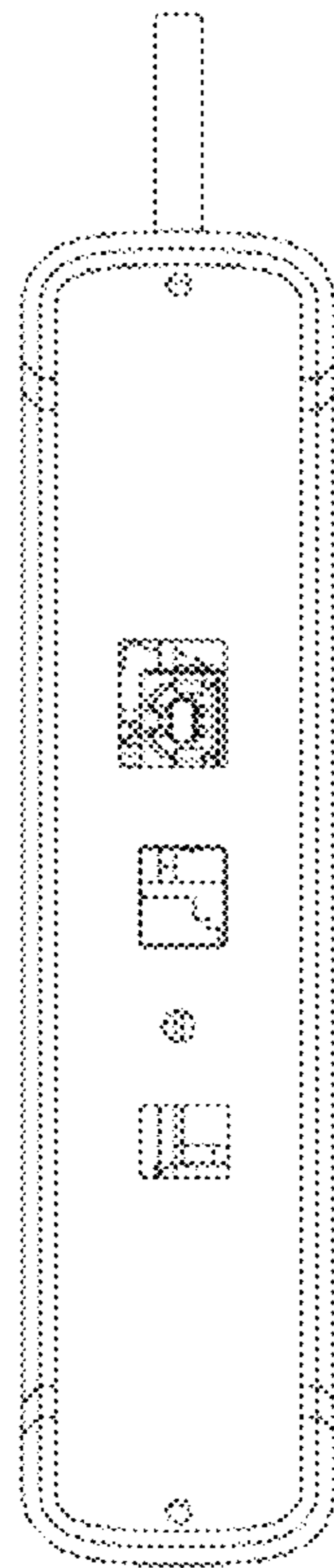


FIG. 10

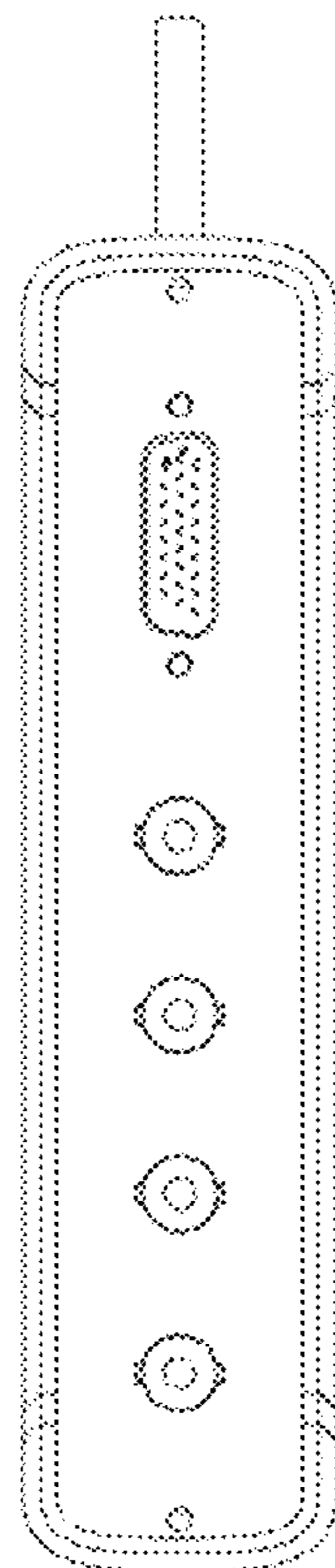


FIG. 11

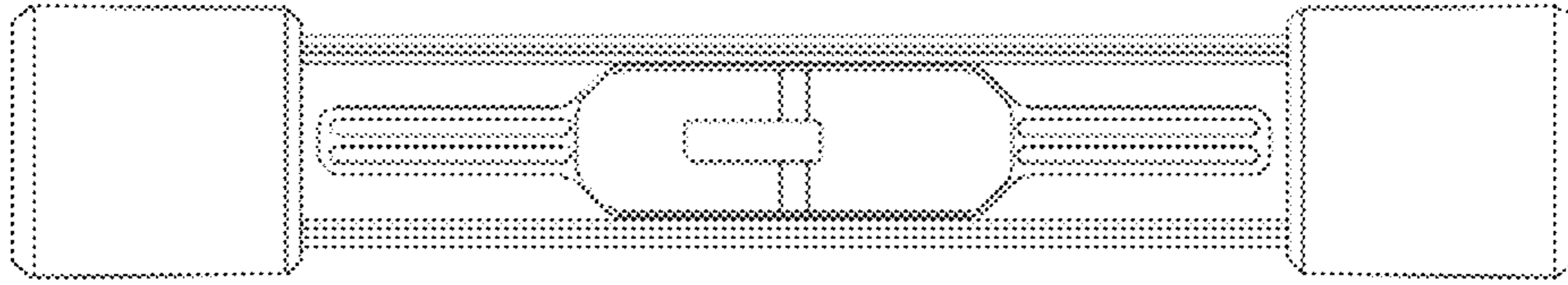


FIG.12

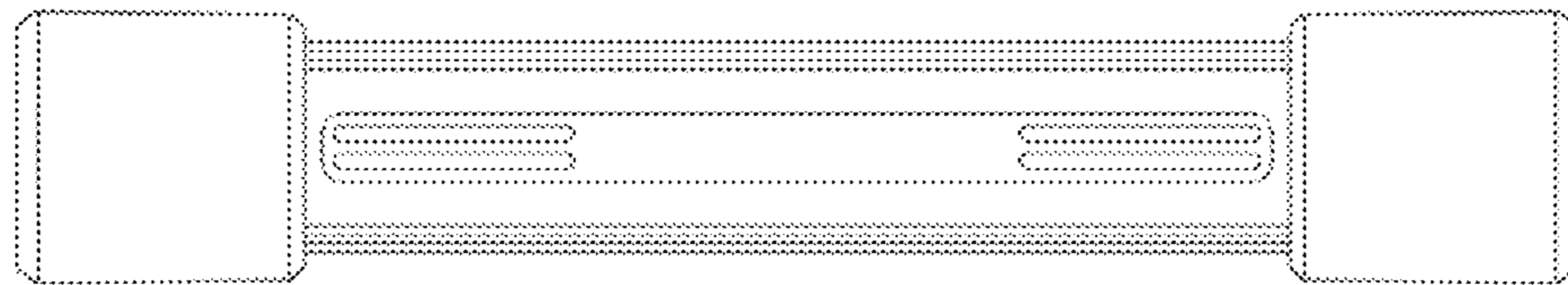


FIG.13

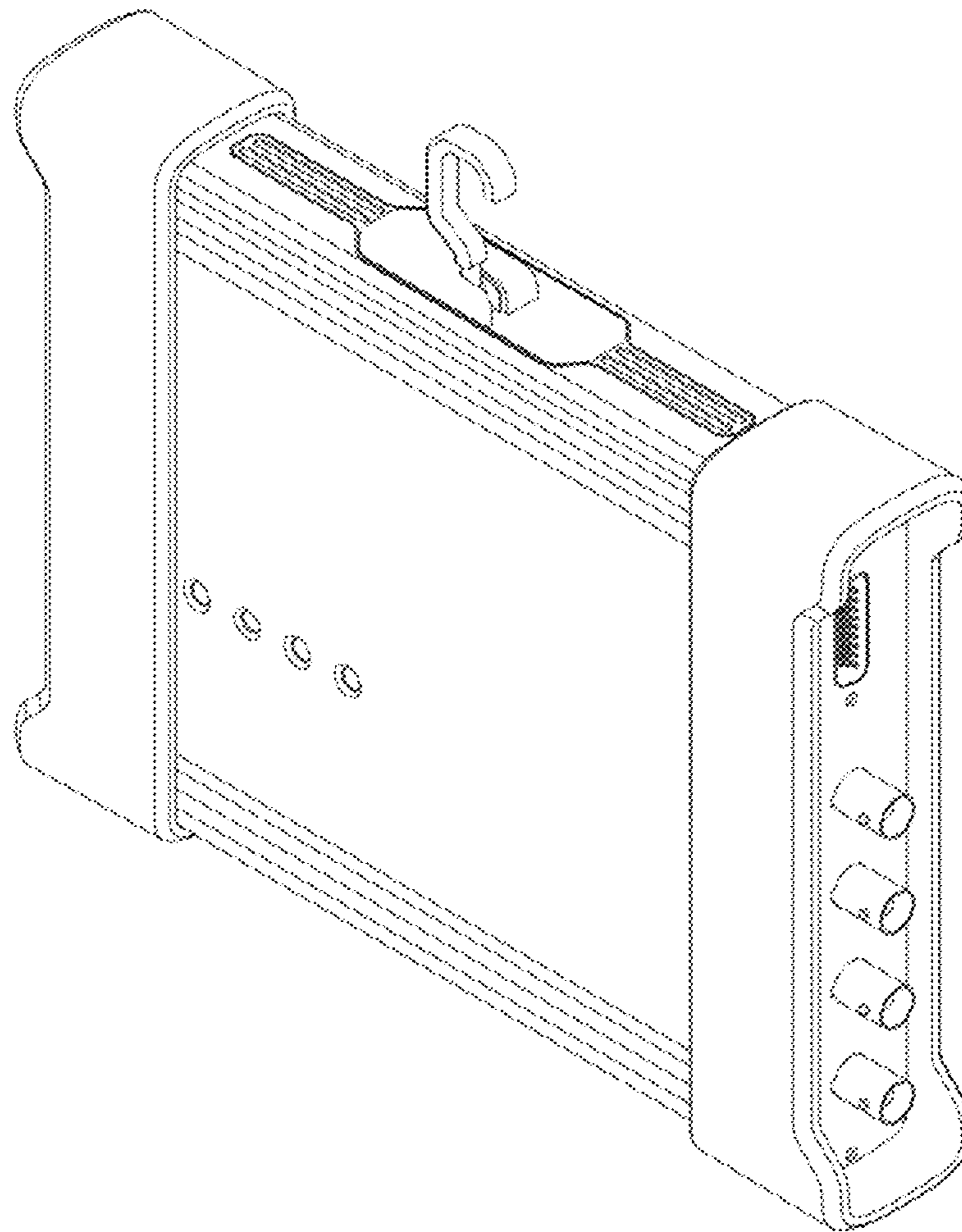


FIG.14