



US00D927999S

(12) **United States Design Patent**
Paschke et al.

(10) **Patent No.:** **US D927,999 S**

(45) **Date of Patent:** **** Aug. 17, 2021**

(54) **FITNESS TRACKER**

(71) Applicant: **Fitbit, Inc.**, San Francisco, CA (US)

(72) Inventors: **Brian Dennis Paschke**, San Francisco, CA (US); **Anthony Gerald Kern**, Pleasant Hill, CA (US); **Yidan Zhang**, Emeryville, CA (US); **Jonah Avram Becker**, San Francisco, CA (US); **Benjamin Patrick Robert Jean Riot**, San Francisco, CA (US); **Bobin Gao**, San Francisco, CA (US); **Eric John Fairbanks**, Lafayette, CA (US); **Junyong Park**, San Francisco, CA (US)

(73) Assignee: **Fitbit, Inc.**, San Francisco, CA (US)

(**) Term: **15 Years**

(21) Appl. No.: **29/750,932**

(22) Filed: **Sep. 17, 2020**

Related U.S. Application Data

(63) Continuation of application No. 29/745,539, filed on Aug. 6, 2020.

(51) **LOC (13) Cl.** **10-04**

(52) **U.S. Cl.**
USPC **D10/70; D10/38; D10/78; D10/97; D14/344; D24/167; D24/186**

(58) **Field of Classification Search**

USPC **D10/30-39, 65, 70, 78, 97, 98; D11/3; D14/138 R, 203.5, 203.6, 203.7, 341, D14/344; D24/167, 168, 186**

CPC **G04B 19/00-19/34; G04B 21/12; G04B 23/12; G04B 37/00-37/228; G04B 47/00-47/068; G04B 45/0069; G04B 47/04; G04B 47/065; G04B 47/066; G01C 17/00; G01C 21/00-21/3697; G01C 22/00-22/025; G01C 23/00-23/005; G01C 21/16; G06F 19/3481; G06F 3/00-3/027; G06F 1/163; G01P 1/00-1/26; G01P 15/00-15/18; A63B 24/00-2024/0096; A63B 2213/00;**

A63B 69/0028; A63B 2071/0658-2071/0666; A63B 2220/00-2220/89; A63B 2225/02; A63C 11/02; A61B 5/681; A61B 5/6824; A61B 5/6825; A61B 5/6826; A61B 5/0537; A61B 5/4872; A61B 5/6831; A61B 5/4869; A61B 5/0858; A61B 5/1075; A61B 5/107; A61B 5/4875; A61B 5/4878; A61B 5/4881; A61B 5/61-5/6898; G04G 21/00; G04G 21/02; G04G 21/08; G04G 9/0064; G04G 9/0005; A44C 5/00-5/16; G04R 20/02; G04C 10/00; G04C 10/02; G08B 21/0269; G08B 21/0272; G08B 21/0286; G08B 21/0288; G08B 21/0291; G08B 21/04-21/2454; G01S 19/00-19/55

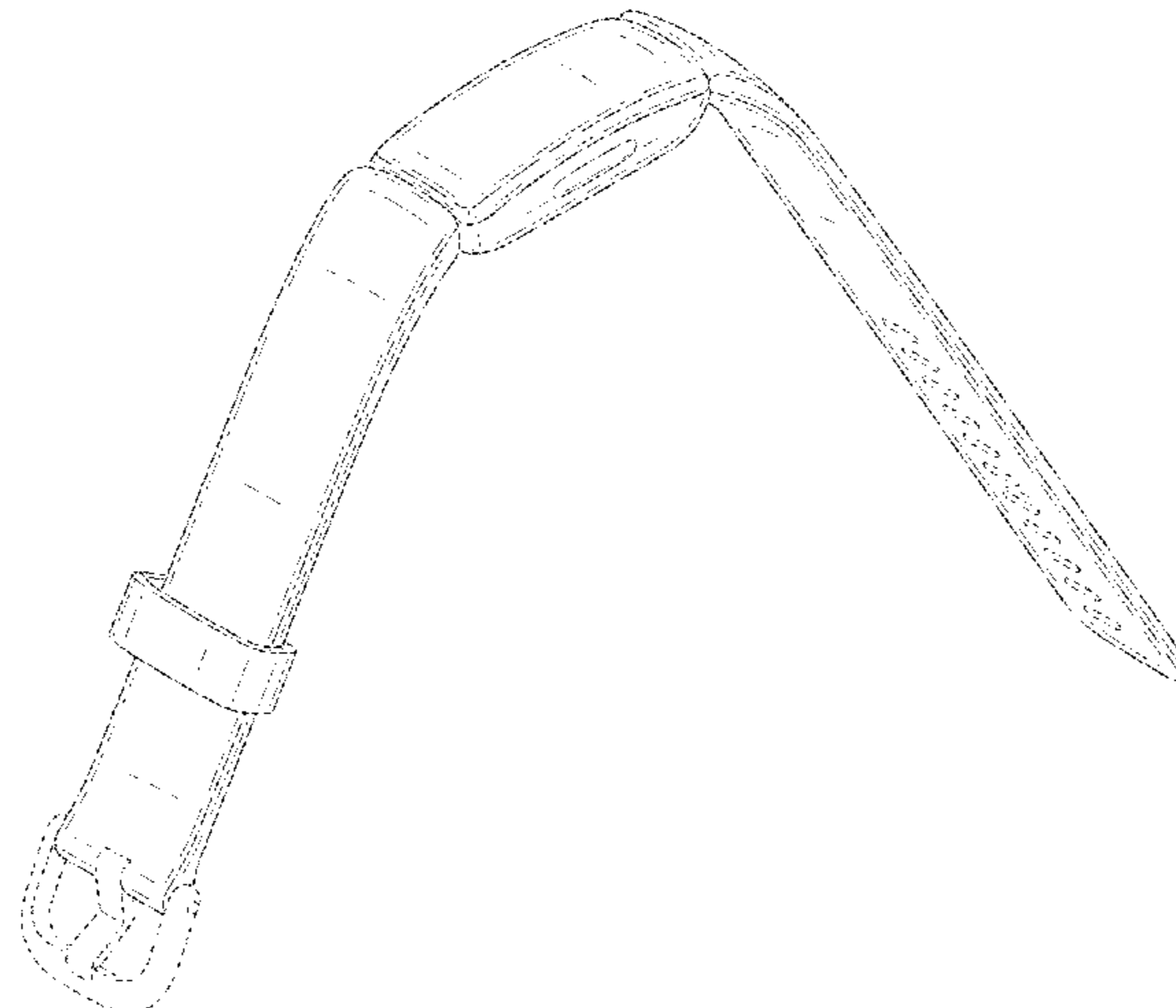
See application file for complete search history.

(56)

References Cited

U.S. PATENT DOCUMENTS

8,296,983 B2	10/2012	Padgett et al.
8,370,549 B2	2/2013	Burton et al.
D720,249 S	12/2014	Park et al.
D720,635 S	1/2015	Park et al.
D724,453 S	3/2015	Ogihara et al.
D726,052 S	4/2015	Henning
D727,183 S	4/2015	Park et al.
D729,646 S	5/2015	Phillips et al.
D729,648 S	5/2015	Phillips et al.
D729,649 S	5/2015	Phillips et al.
D744,869 S	12/2015	Dallmeyer et al.
D745,513 S	12/2015	Jung et al.
D745,514 S	12/2015	Jung et al.
D747,714 S	1/2016	Erbeus
D749,002 S	2/2016	Park et al.
D751,069 S	3/2016	Choi et al.
D751,549 S	3/2016	Park et al.
D759,516 S	6/2016	Ling et al.
D790,374 S *	6/2017	Lean D10/70
D795,719 S	8/2017	Lean et al.
D800,596 S	10/2017	Ling et al.
D803,709 S	11/2017	Le Bihan et al.
D806,880 S	1/2018	Henning
D808,962 S	1/2018	Wu
D813,229 S	3/2018	Ling et al.
D814,643 S	4/2018	Mockler et al.
D816,668 S	5/2018	Wu



D826,763	S	8/2018	Chuang	
D827,838	S	9/2018	Lillquist et al.	
D831,643	S	10/2018	Son et al.	
D840,042	S	2/2019	Yan	
D845,868	S	4/2019	Hale, Jr.	
D846,747	S	4/2019	Lillquist et al.	
D848,875	S	5/2019	Wildner et al.	
D860,989	S	9/2019	Choplin et al.	
D861,678	S	10/2019	Kern et al.	
D864,956	S *	10/2019	Kern	D14/344
D865,546	S	11/2019	Kellock	
D879,094	S *	3/2020	Choplin	D14/344
D895,613	S	9/2020	Kozlovskaya et al.	
D902,203	S *	11/2020	Choplin	D14/344
D903,663	S *	12/2020	Jones	D14/344
D910,618	S *	2/2021	Kozlovskaya	A44C 5/14 D14/344
2014/0073486	A1	3/2014	Ahmed et al.	
2015/0186609	A1	7/2015	Utter, II	
2016/0374569	A1	12/2016	Breslow et al.	
2017/0011210	A1	1/2017	Cheong et al.	
2017/0065224	A1	3/2017	Rahko et al.	
2017/0120107	A1	5/2017	Wisbey	
2019/0361402	A1 *	11/2019	Markan	A44C 5/14

FOREIGN PATENT DOCUMENTS

CN	203930353	U	11/2014
CN	303317625	S	8/2015
CN	303814660	S	8/2016
CN	205697726	U	11/2016
CN	304191013	S	6/2017
CN	304191025	S	6/2017
CN	30425914	S	8/2017
CN	206920835	U	1/2018
CN	2068667660	U	1/2018
CN	207341307	U	5/2018
CN	305059475	S	3/2019
CN	305146927	S	5/2019
CN	305301071	S	8/2019
CN	305306153	S	8/2019
CN	305580104	S	1/2020
EM	004527299-0001		11/2017
EM	005518487-0005		7/2018
EM	005518487-0006		7/2018
EM	005518487-0010		7/2018
EM	005518487-0012		7/2018
EM	005838075-0001		11/2018
EM	006585006-0004		6/2019
EM	006585006-0011		6/2019
EM	006860904-0001		9/2019
EM	007701685-0001		2/2020
EM	007828199-0001		4/2020
IN	320486-001-0001		8/2019
KR	101805257	B1	2/2017
KR	30-1024782		9/2019

OTHER PUBLICATIONS

“New Fitbit Versa on the way with built-in Amazon Alexa?” Source: androidauthority.com (<https://www.androidauthority.com/fitbit-versa-2-amazon-alexa-1014860/>). Website accessed Mar. 30, 2020.

iConnect by Timex Active Smartwatch with Heart Rate, Notifications and Activity Tracking, available at Amazon.com (<https://www.amazon.com/iConnect-Timex-TW5M34400-Active-Smartwatch/dp/B07XZRQBGV>). Website accessed Mar. 30, 2020.

Alfawise H19 RFID Sports Smartwatch Fitness Tracker—Black, available at gearbest.com (https://www.gearbest.com/smart-watches/pp_009207049039.html?wid=1433363). Website accessed Mar. 30, 2020.

Ergofinity™ Bluetooth Smart Watch available at ergofinity.com (<https://ergofinity.com/products/bluetooth-smart-watch-ios-android>). Website accessed Mar. 30, 2020.

Amazfit BIP Lite 3ATM Smart Watch (Blue) available at amazon.in (https://www.amazon.in/Amazfit-Lite-3ATM-Smart-Watch/dp/B07WQWDYJ7/ref=asc_df_B07WQWDYJ7/?tag=googleshopdes-

21&linkCode=df0&hvadid=397082878775&hvpos=&hvnetw=g&hvrnd=13400080515884943460&hvpone=&hvptwo=&hvqmt=&hvdev=c&hvdvcmdl=&hvlocint=&hvlocphy=1007765&hvtargid=pla-819594895182&psc=1&ext_vmc=hi). Website accessed Mar. 30, 2020.

Samsung’s 6th smartwatch has a 3G modern and a massive curved display, posted Aug. 28, 2014, [retrieved Jun. 5, 2019]. Retrieved from Internet, <URL: <https://arstechnica.com/gadgets/2014/08/samsungs-6th-smartwatch-has-a-3g-modern-and-a-massive-curved-display/>>.

Samsung Introduces Three New Wearables for Balanced and Connected Living, Samsung Newsroom, posted Feb. 20, 2019, accessed Feb. 25, 2019. <URL: <https://news.samsung.com/us/samsung-wearable-galaxy-watch-active-galaxy-fit-galaxy-buds-unpacked-2019/>>.

Seifert, “Making Time: how Pebble built its next smartwatch,” downloaded from: <http://www.theverge.com/2015/2124/8091175/pebble-time-watchwearable-platform-eric-migicovsky-interview>, The Verge, Feb. 24, 2015.

Alfawise H19 RFID Sports Smartwatch Fitness Tracker for sale at gearbest.com (https://www.gearbest.com/smart-watches/pp_009207049039.html?wid=1433363). Website accessed Dec. 6, 2019.

Fitbit Versa Smartwatch and Activity Tracker with Classic Band for sale at HSN (<https://www.hsn.com/products/fitbit-versa-smartwatch-and-activity-tracker-with-class/8688605>). Website accessed Dec. 6, 2019.

Fitbit Versa Smartwatch for sale at kohls.com (<https://www.kohls.com/product/prd-3296179/fitbit-versa-smart-fitness-watch-non-nfc.jsp>). Website accessed Dec. 6, 2019.

“Basis B1 Watch In-Depth Review”, DC Rainmaker (<http://www.dcrainmaker.com/2013/basis-b1-review.html>). Website accessed Feb. 4, 2014.

Review: Fitbit Inspire HR, dated Mar. 12, 2019, source Wired.com (<https://www.wired.com/review/review-fitbit-inspire-hr/>). Website accessed Aug. 31, 2020.

Stolyar, Brenda. “Fitbit Charge 3 Review dated Nov. 19, 2019: Jack of All Trades”, source Digital Trends (<https://www.digitaltrends.com/fitness-tracker-reviews/fitbit-charge-3-review/>). Website accessed Aug. 25, 2020.

U.S. Appl. No. 29/729,178, filed Mar. 24, 2020, applicant Fitbit, Inc.

U.S. Appl. No. 29/706,974, filed Sep. 25, 2019, applicant Fitbit, Inc.

U.S. Appl. No. 29/729,039, filed Mar. 24, 2020, applicant Fitbit, Inc.

U.S. Appl. No. 29/721,845, filed Jan. 23, 2020, applicant Fitbit, Inc.

U.S. Appl. No. 29/721,870, filed Jan. 23, 2020, applicant Fitbit, Inc.

U.S. Appl. No. 29/722,312, filed Jan. 28, 2020, applicant Fitbit, Inc.

U.S. Appl. No. 29/722,314, filed Jan. 28, 2020, applicant Fitbit, Inc.

U.S. Appl. No. 29/729,177, filed Mar. 24, 2020, applicant Fitbit, Inc.

U.S. Appl. No. 29/656,638, filed Jul. 13, 2018, applicant Fitbit, Inc.

U.S. Appl. No. 29/732,494, filed Apr. 24, 2020, applicant Fitbit, Inc.

U.S. Appl. No. 29/732,495, filed Apr. 24, 2020, applicant Fitbit, Inc.

U.S. Appl. No. 29/732,496, filed Apr. 24, 2020, applicant Fitbit, Inc.

U.S. Appl. No. 29/669,190, filed Nov. 6, 2018, applicant Fitbit, Inc.

U.S. Appl. No. 29/688,946, filed Apr. 25, 2019, applicant Fitbit, Inc.

U.S. Appl. No. 29/702,946, filed Aug. 22, 2019, applicant Fitbit, Inc.

U.S. Appl. No. 29/702,397, filed Aug. 19, 2019, applicant Fitbit, Inc.

Abandoned U.S. Appl. No. 29/705,182, filed Sep. 10, 2019, applicant Fitbit, Inc.

U.S. Appl. No. 29/728,976, filed Mar. 23, 2020, applicant Fitbit, Inc.

* cited by examiner

Primary Examiner — Antoine Duval Davis
(74) Attorney, Agent, or Firm — Leason Ellis LLP

(57)

CLAIM

The ornamental design for a fitness tracker, as shown and described.

DESCRIPTION

This application is a continuation of application Ser. No. 29/745,536 filed Aug. 6, 2020, which is hereby incorporated by reference for all purposes.

FIG. 1 is a top, right side isometric view our new design for a fitness tracker

FIG. 2 is a top plan view thereof.

FIG. 3 is a bottom plan view thereof.

FIG. 4 is a left side elevation view thereof.

FIG. 5 is a right side elevation view thereof.

FIG. 6 is a front side elevation view thereof; and,

FIG. 7 is a back side elevation view thereof.

The features shown in broken lines in the drawing depict unclaimed subject matter and form no part of the claimed design.

1 Claim, 5 Drawing Sheets

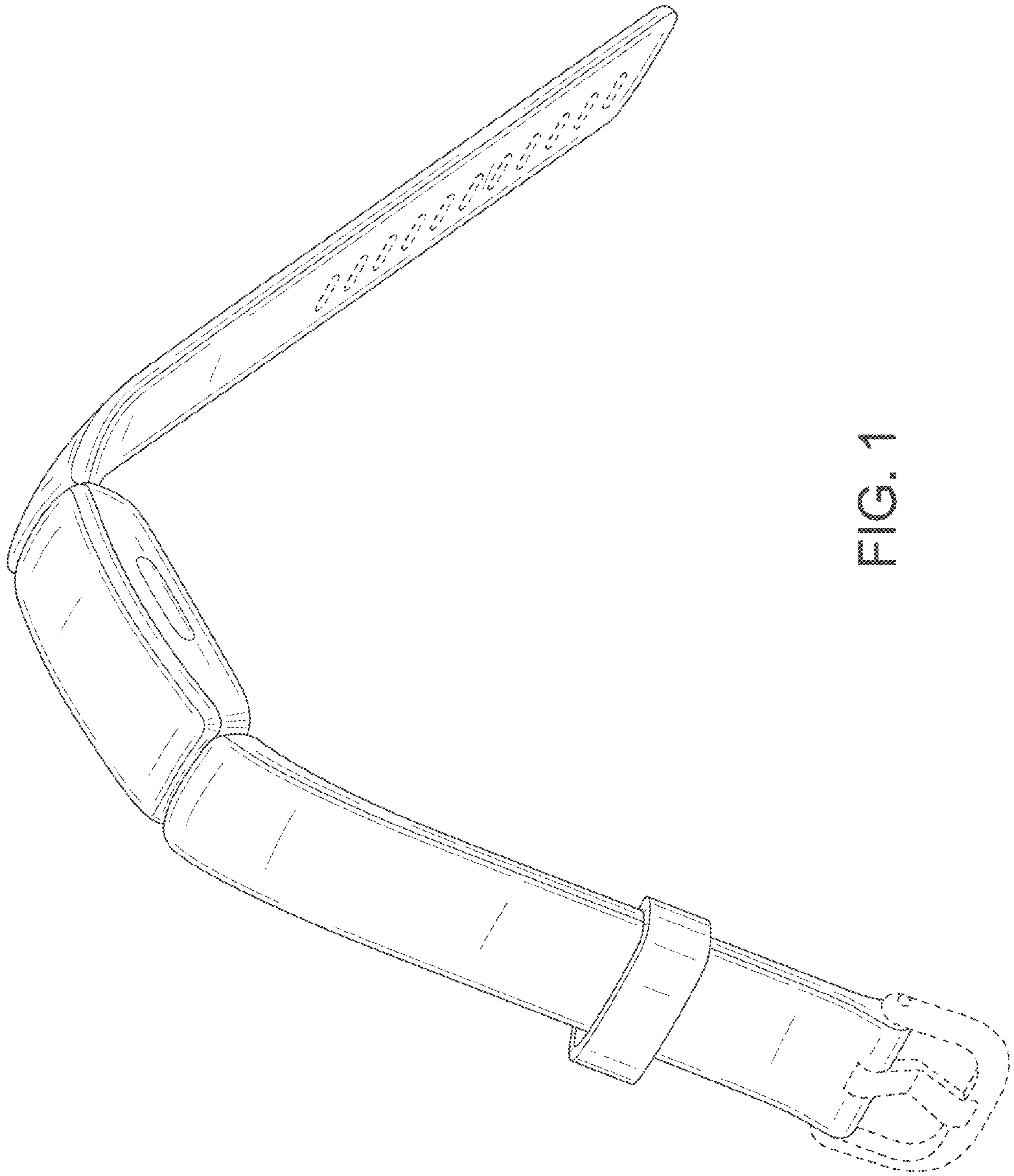


FIG. 1

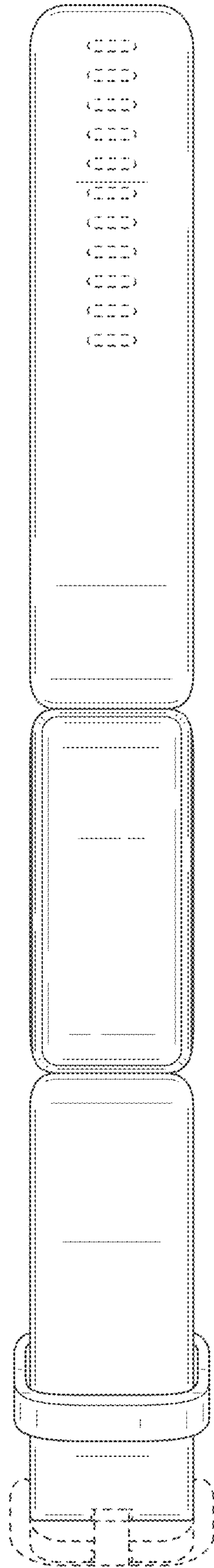


FIG. 2

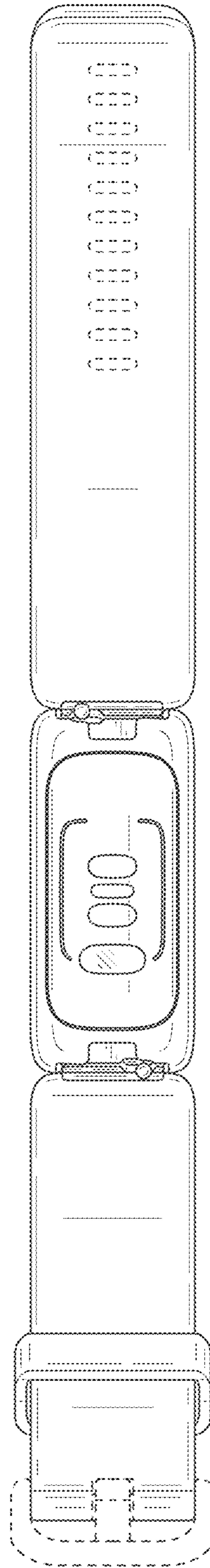


FIG. 3

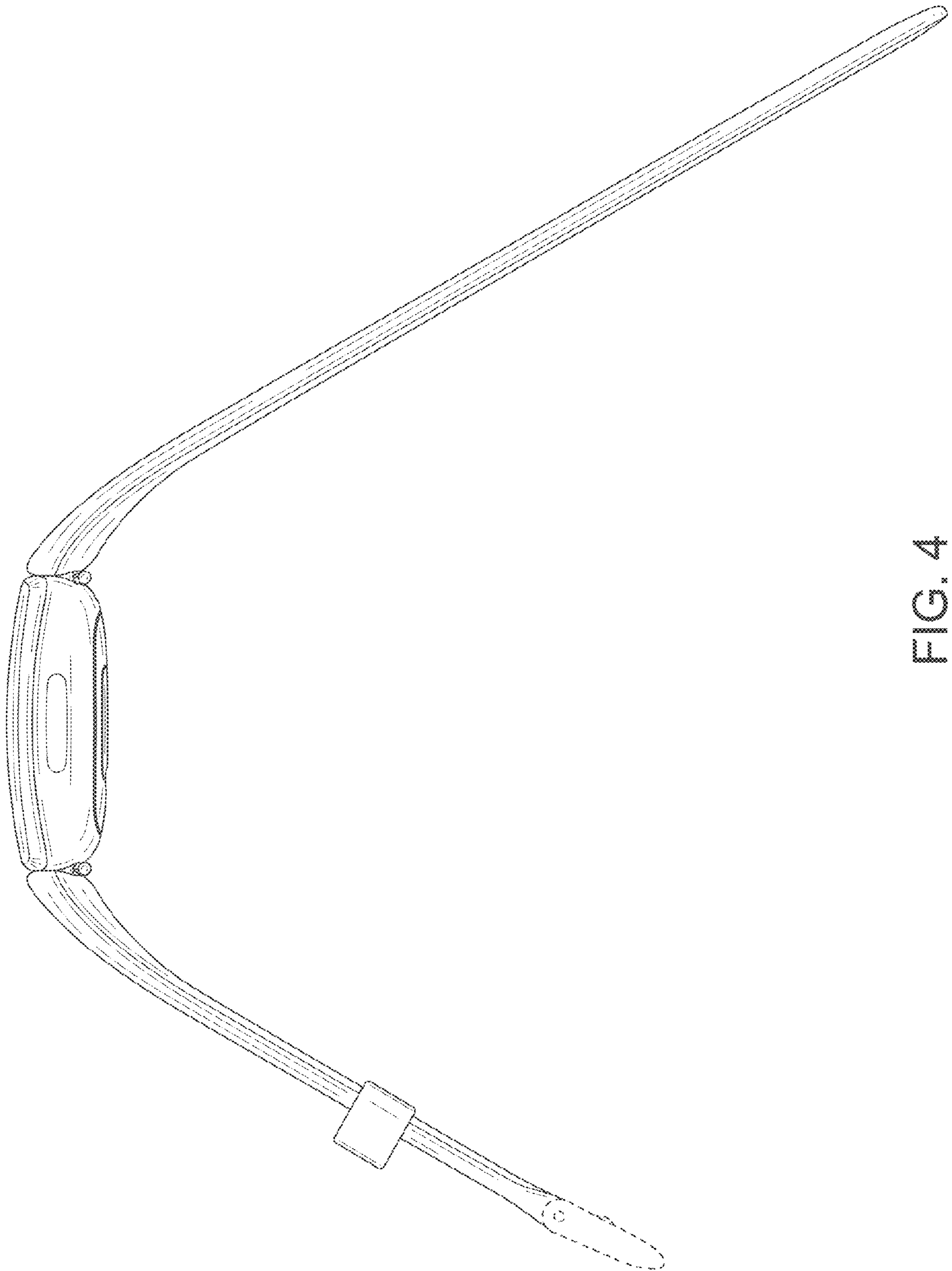


FIG. 4

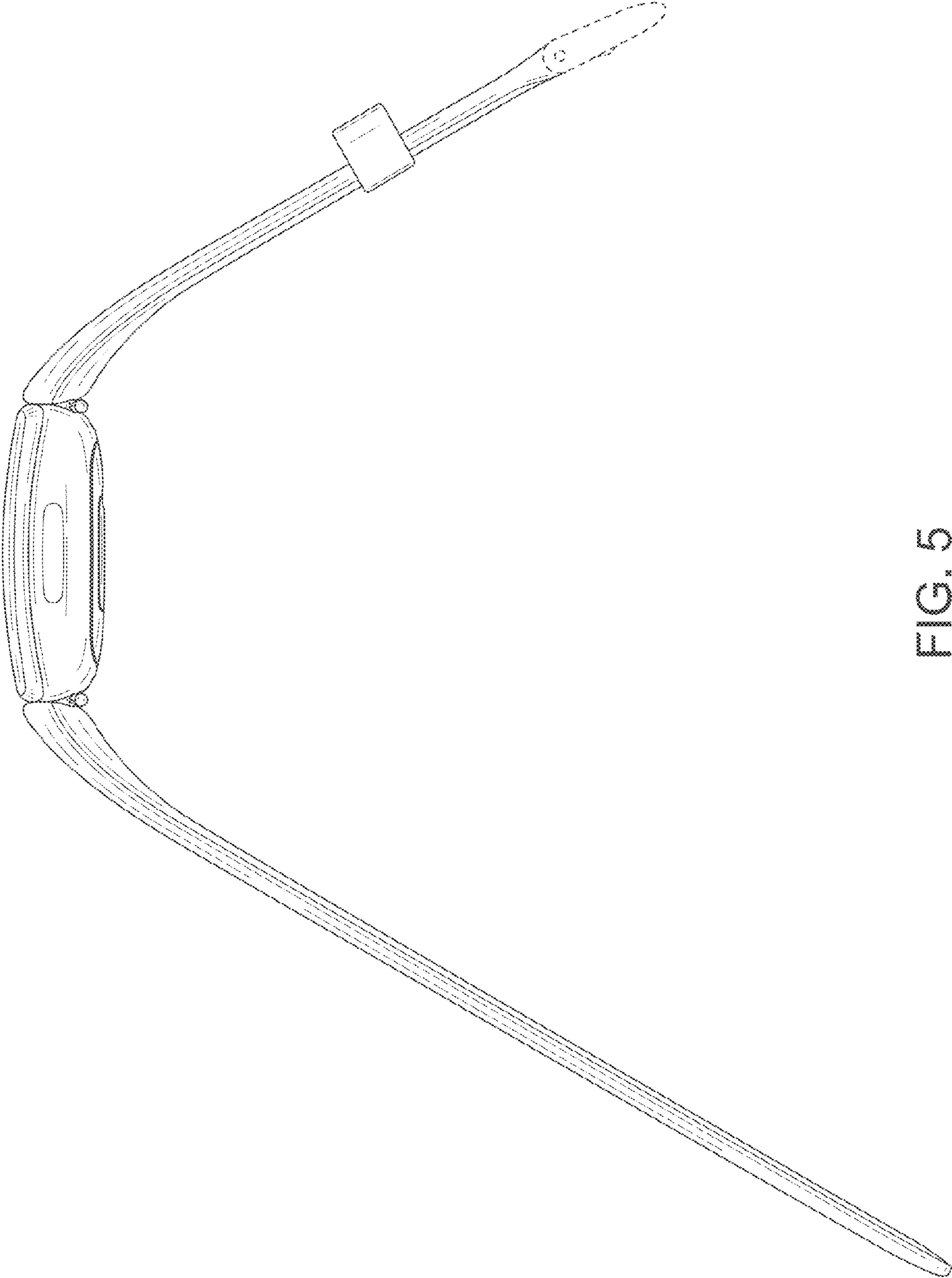


FIG. 5

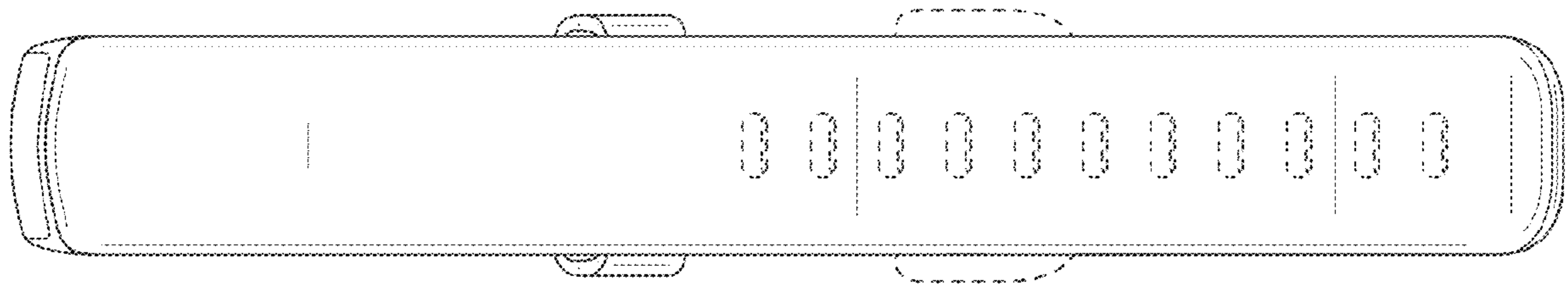


FIG. 7

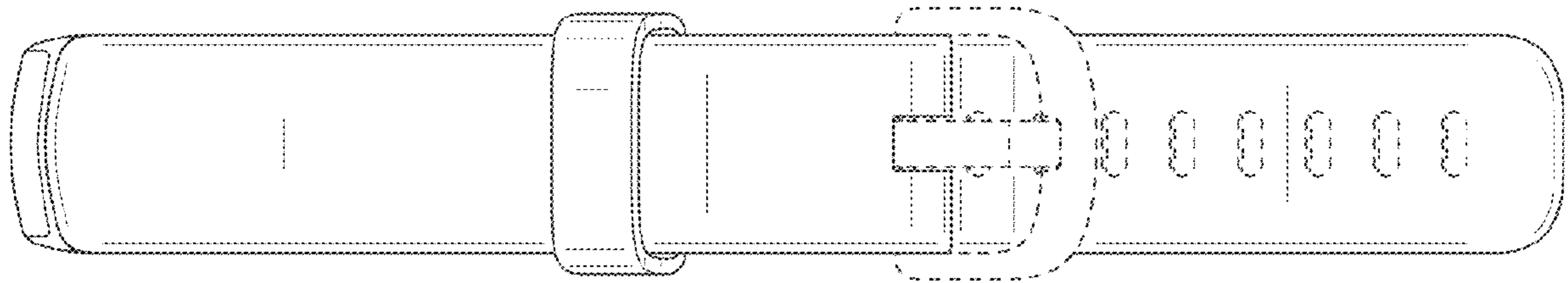


FIG. 6