



US00D927998S

(12) **United States Design Patent** (10) **Patent No.:** **US D927,998 S**
Ahn et al. (45) **Date of Patent:** **** Aug. 17, 2021**

(54) **FRONT SENSOR HOUSING**

(71) Applicant: **Waymo LLC**, Mountain View, CA (US)

(72) Inventors: **YooJung Ahn**, Mountain View, CA (US); **Jared S. Gross**, Belmont, CA (US); **Thomas Southworth**, Royal Oak, MI (US); **Chun Chen**, Cupertino, CA (US)

(73) Assignee: **Waymo LLC**, Mountain View, CA (US)

(**) Term: **15 Years**

(21) Appl. No.: **29/688,903**

(22) Filed: **Apr. 25, 2019**

(51) **LOC (13) Cl.** **10-04**

(52) **U.S. Cl.**
USPC **D10/70; D12/190; D12/197**

(58) **Field of Classification Search**
USPC **D10/70; D12/190, 197**
CPC .. **B60Q 1/0017; B60Q 1/0023; B60Q 1/0029;**
B60Q 1/0035; B60Q 1/0041; B60Q 1/26;
B60Q 1/2603; B60Q 1/2607; B60Q
1/2611; B60Q 9/002; B60Q 9/003; B60Q
9/004;

(Continued)

(56) **References Cited**

U.S. PATENT DOCUMENTS

D328,436 S 8/1992 Fuerst et al.
5,945,907 A 8/1999 Yaron et al.
D478,518 S 8/2003 Porter

(Continued)

FOREIGN PATENT DOCUMENTS

KR 101998298 B1 7/2019
WO 2018138584 A1 8/2018

Primary Examiner — Antoine Duval Davis

(74) *Attorney, Agent, or Firm* — Banner & Witcoff, Ltd.

(57) **CLAIM**

The ornamental design for a front sensor housing, as shown and described.

DESCRIPTION

The present application is related to U.S. Design patent application Ser. No. 29/688,905, entitled Rear Sensor Housing, filed concurrently herewith, the entire disclosure of which is incorporated by reference herein.

FIG. 1 is a front perspective view of a front sensor housing according to a first embodiment of our design;

FIG. 2 is a front elevation view thereof;

FIG. 3 is a back elevation view thereof;

FIG. 4 is a right side elevation view thereof;

FIG. 5 is a left side elevation view thereof;

FIG. 6 is a top plan view thereof;

FIG. 7 is a bottom plan view thereof;

FIG. 8 is a front perspective view of a front sensor housing according to a second embodiment of our design;

FIG. 9 is a front elevation view thereof;

FIG. 10 is a back elevation view thereof;

FIG. 11 is a right side elevation view thereof;

FIG. 12 is a left side elevation view thereof;

FIG. 13 is a top plan view thereof;

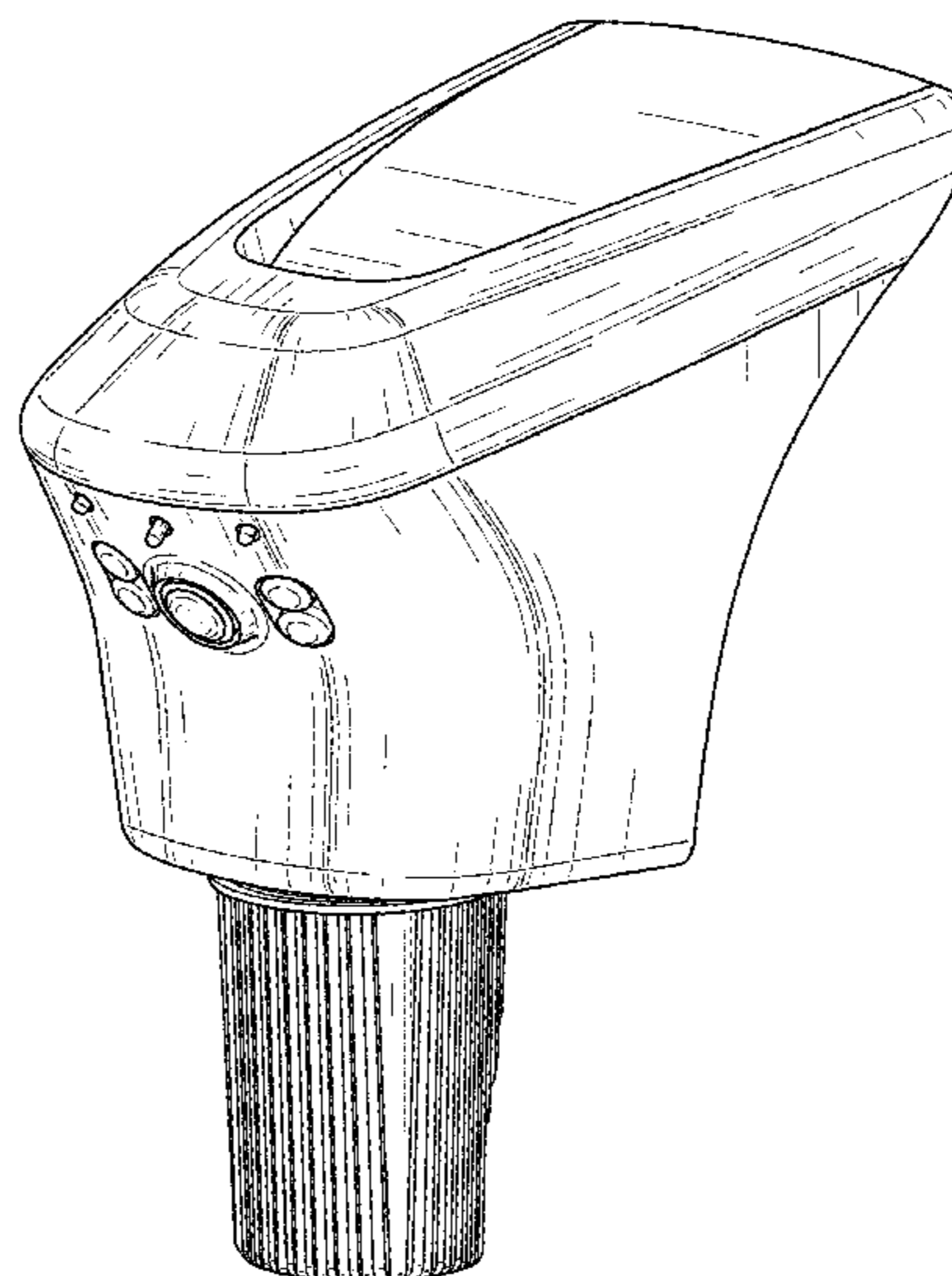
FIG. 14 is a bottom plan view thereof; and,

FIG. 15 is a front perspective view of the front sensor housing of the first embodiment positioned on an exemplary vehicle.

The broken lines in the figures illustrate portions of the front sensor housing that form no part of the claimed design. The broken lines shown in FIG. 15 illustrate an exemplary vehicle that forms no part of the claimed design.

The specific placement of the front sensor housing in FIG. 15 on the exemplary vehicle is for illustrative purposes only and does not limit placement of the front sensor housing to a specific location on a vehicle or other object.

1 Claim, 9 Drawing Sheets



(58) **Field of Classification Search**

CPC B60Q 9/006; B60Q 9/007; B60Q 9/008;
 B60R 1/10; B60R 1/12; B60R 2001/1284

See application file for complete search history.

(56) **References Cited**

U.S. PATENT DOCUMENTS

D525,888	S	8/2006	Porter	
9,725,060	B1	8/2017	Daniel et al.	
9,862,311	B2	1/2018	Kiriyama et al.	
D825,357	S	8/2018	Ahn et al.	
D826,073	S	8/2018	Alkelai et al.	
D834,971	S	12/2018	Ahn et al.	
D835,028	S	12/2018	Ahn et al.	
D850,303	S	6/2019	Wang et al.	
D850,946	S	6/2019	Zhevelev et al.	
D860,013	S	9/2019	Ahn et al.	
10,444,752	B2	10/2019	Kim et al.	
D874,957	S *	2/2020	Ahn	D10/70
2013/0242586	A1 *	9/2013	Huizen	B60R 1/12 362/494
2016/0011594	A1	1/2016	Chung et al.	
2017/0151933	A1	6/2017	Doorley et al.	
2017/0293016	A1	10/2017	McCloskey et al.	
2017/0297488	A1	10/2017	Wang et al.	
2017/0300060	A1	10/2017	Crawley	
2017/0343654	A1	11/2017	Valois et al.	
2018/0011173	A1	1/2018	Newman	
2018/0015886	A1	1/2018	Frank et al.	
2018/0017680	A1	1/2018	Pennecot et al.	
2018/0037268	A1	2/2018	Moore et al.	
2018/0086280	A1	3/2018	Nguyen	
2020/0195816	A1	6/2020	Stein et al.	

* cited by examiner

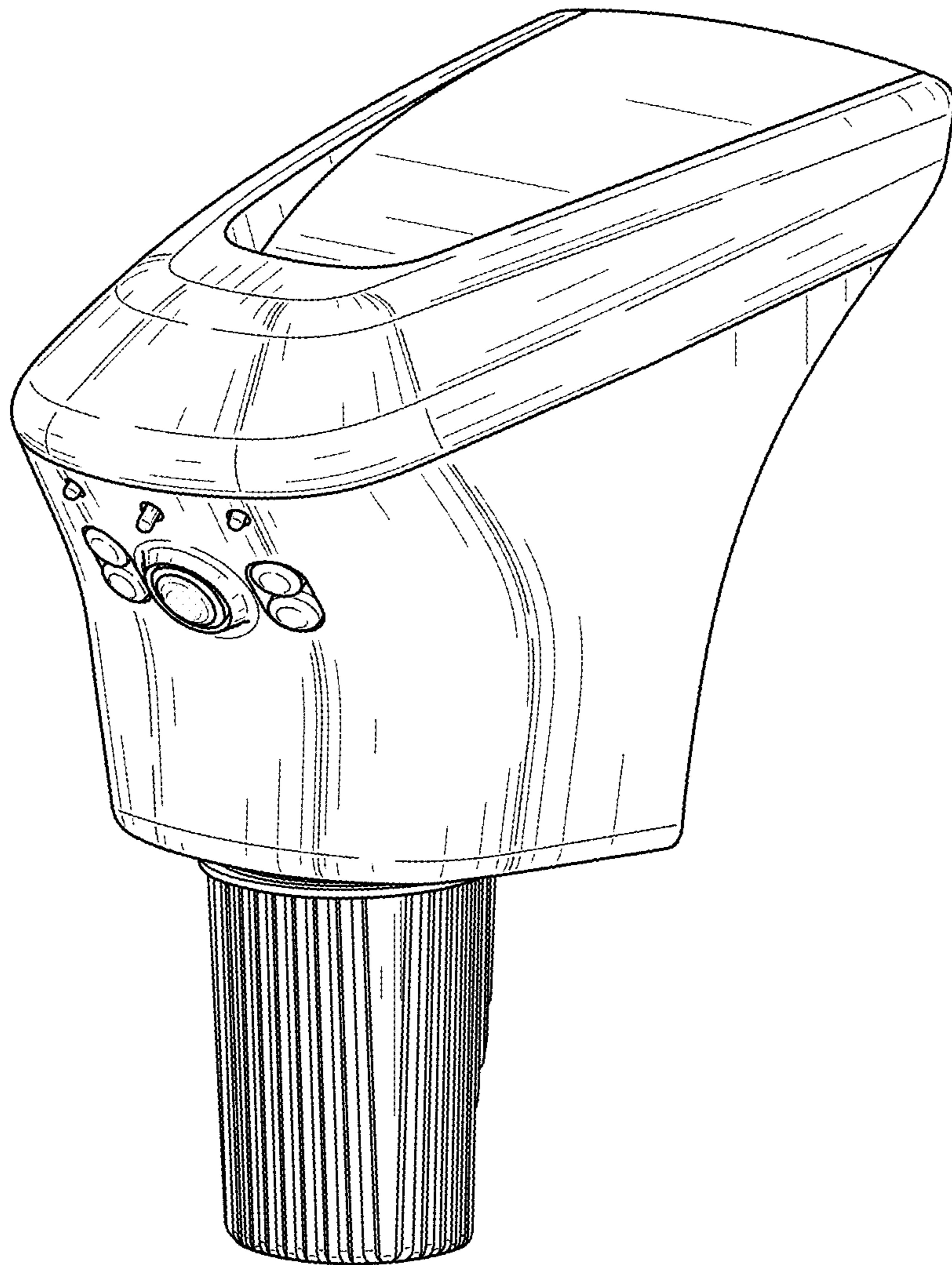


FIG. 1

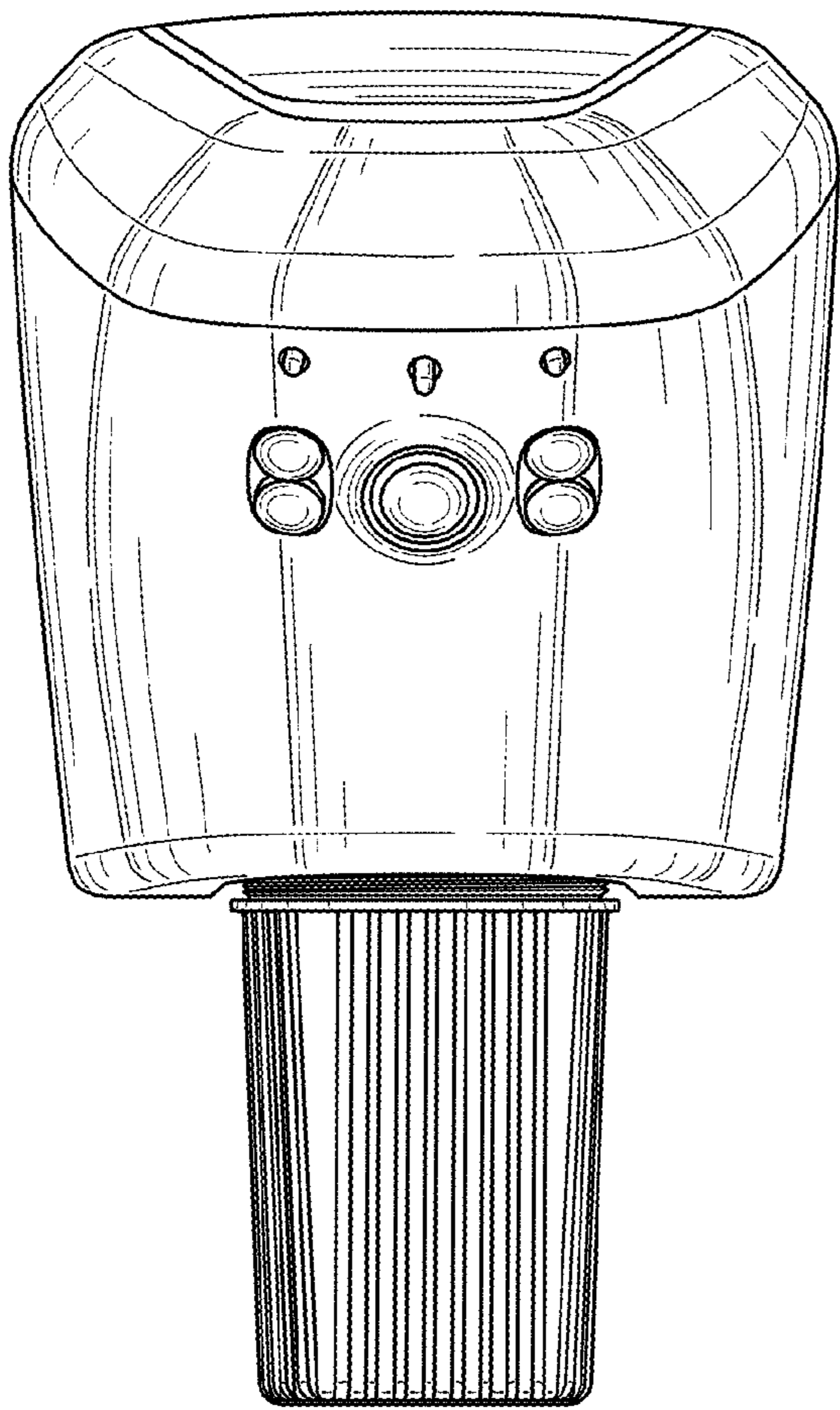


FIG. 2

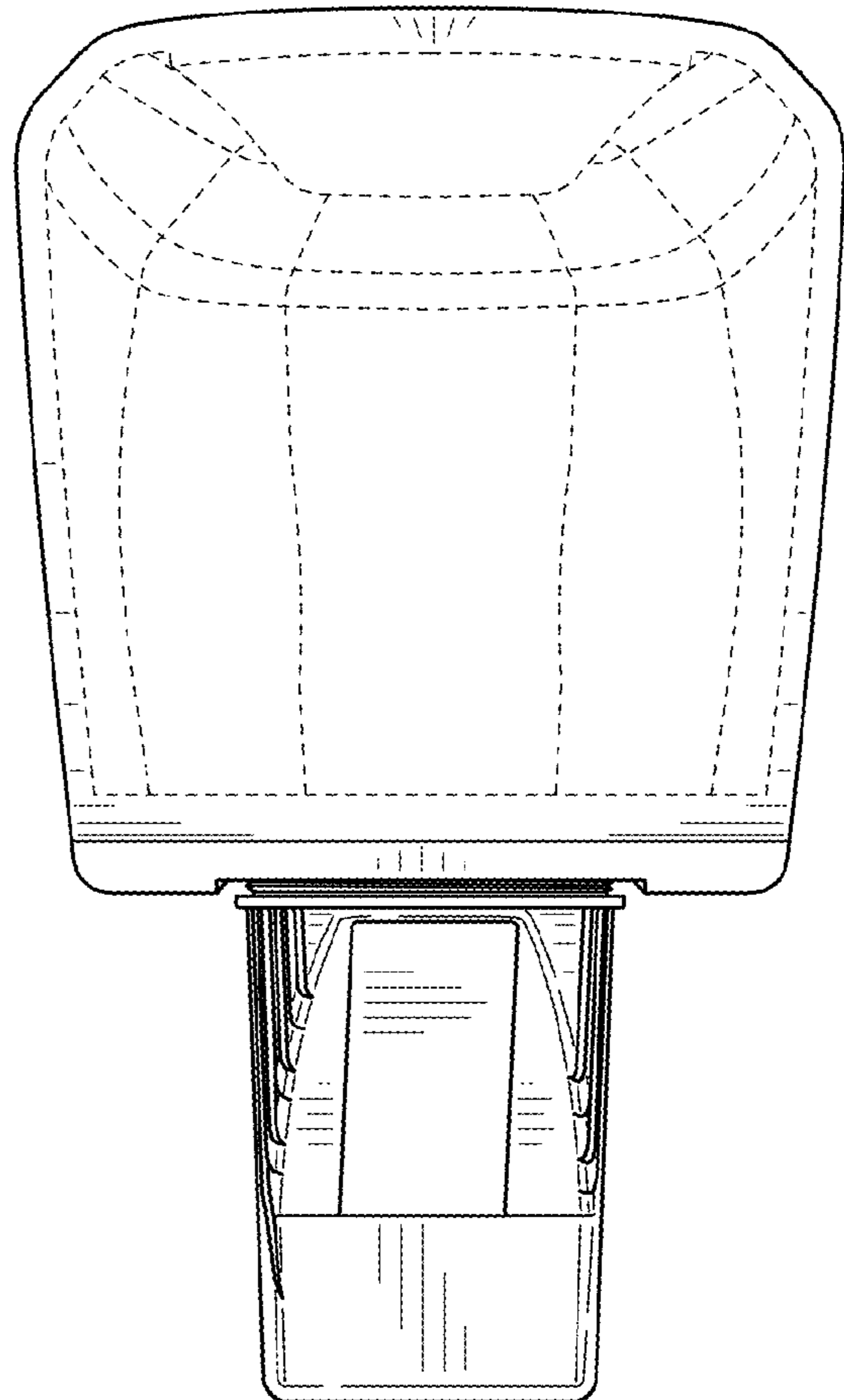


FIG. 3

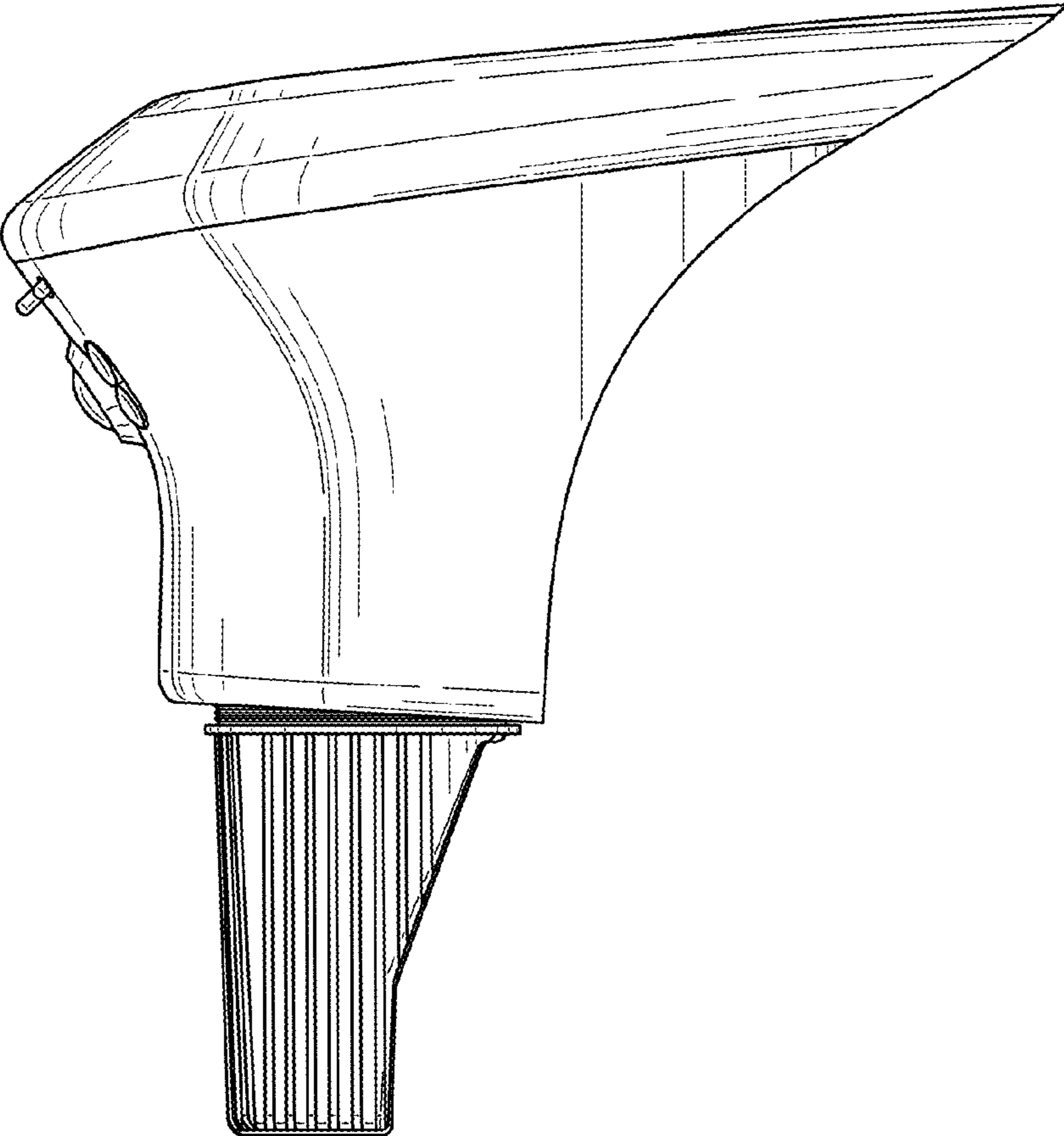


FIG. 4

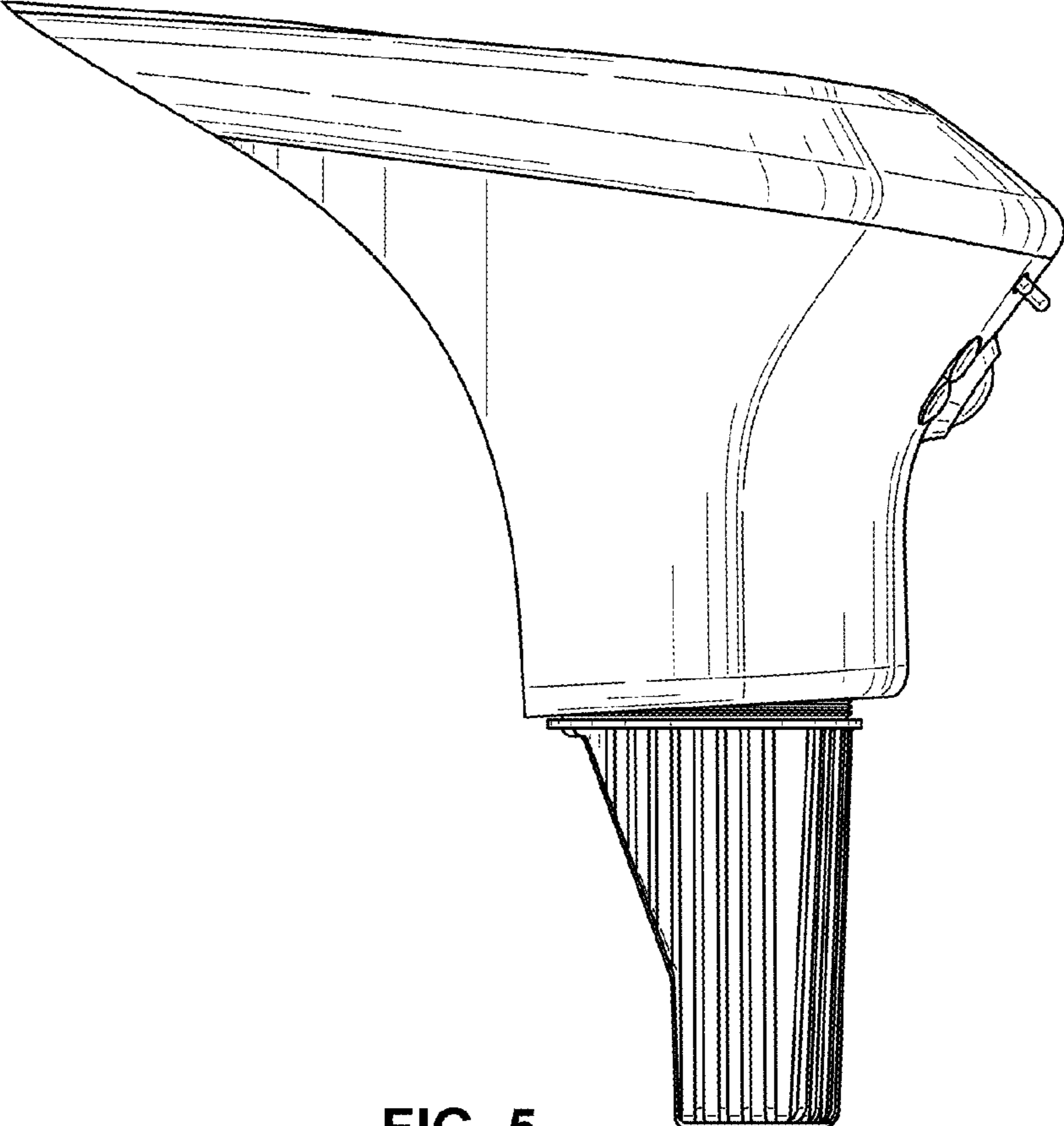


FIG. 5

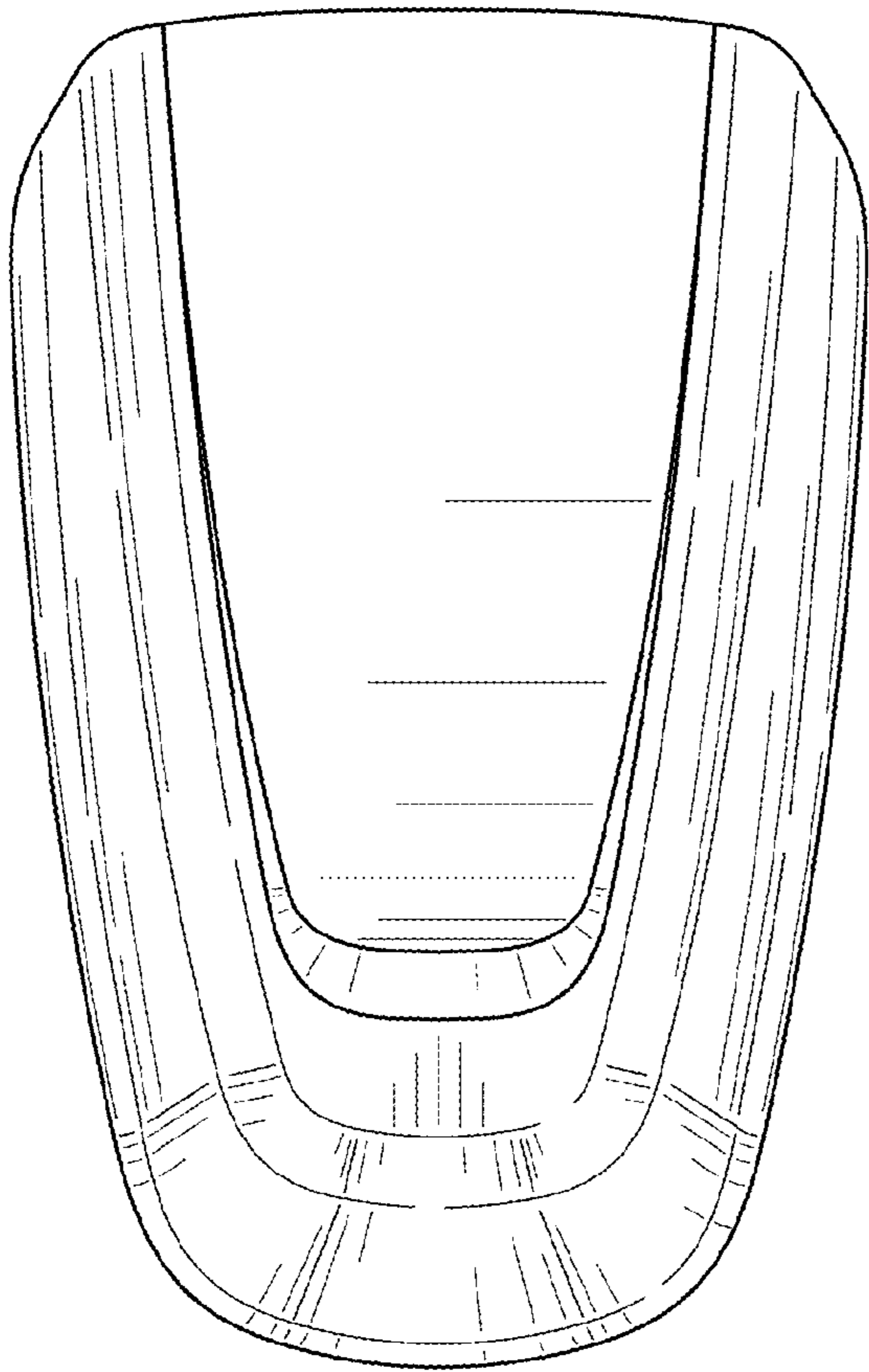


FIG. 6

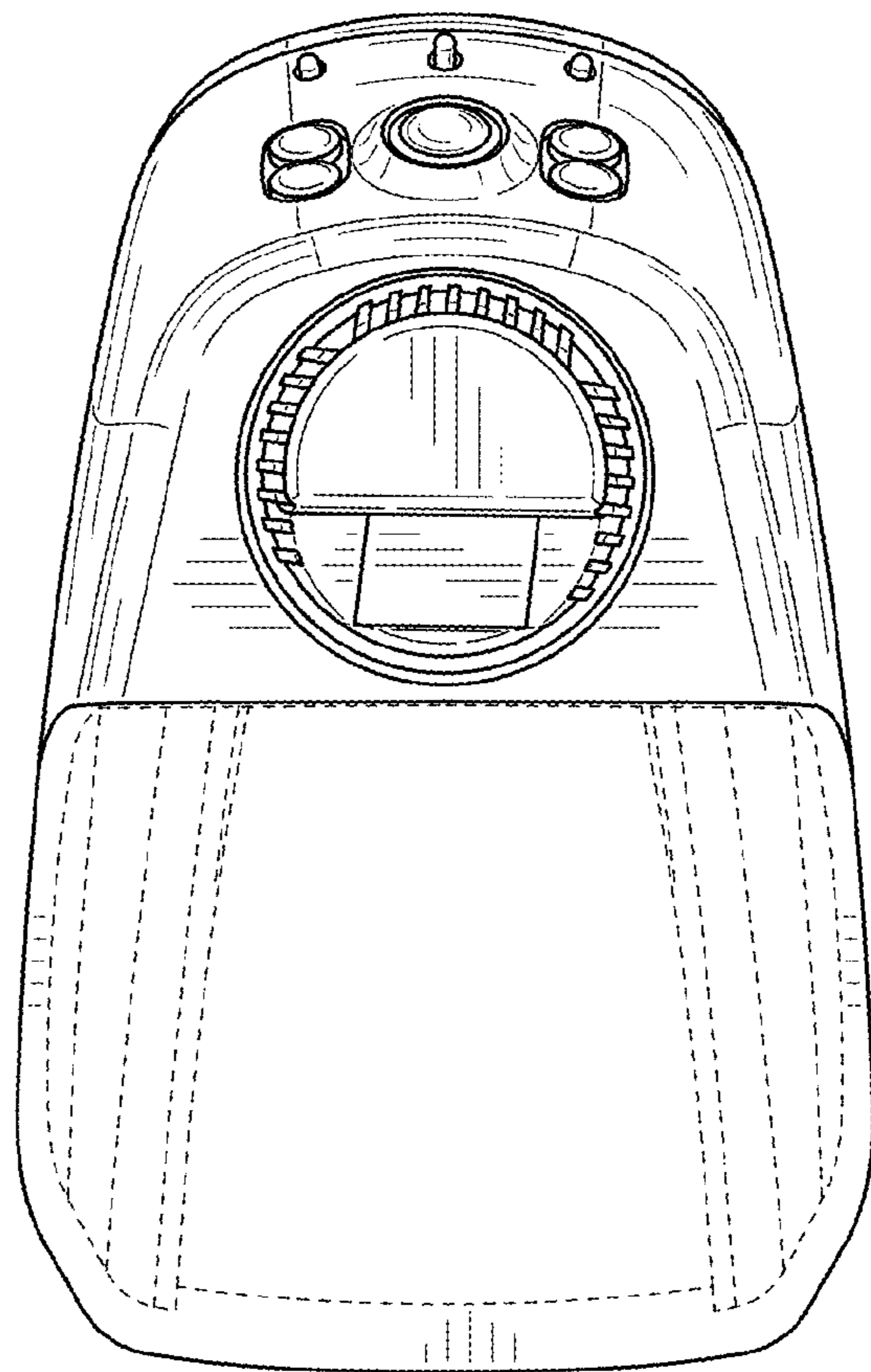


FIG. 7

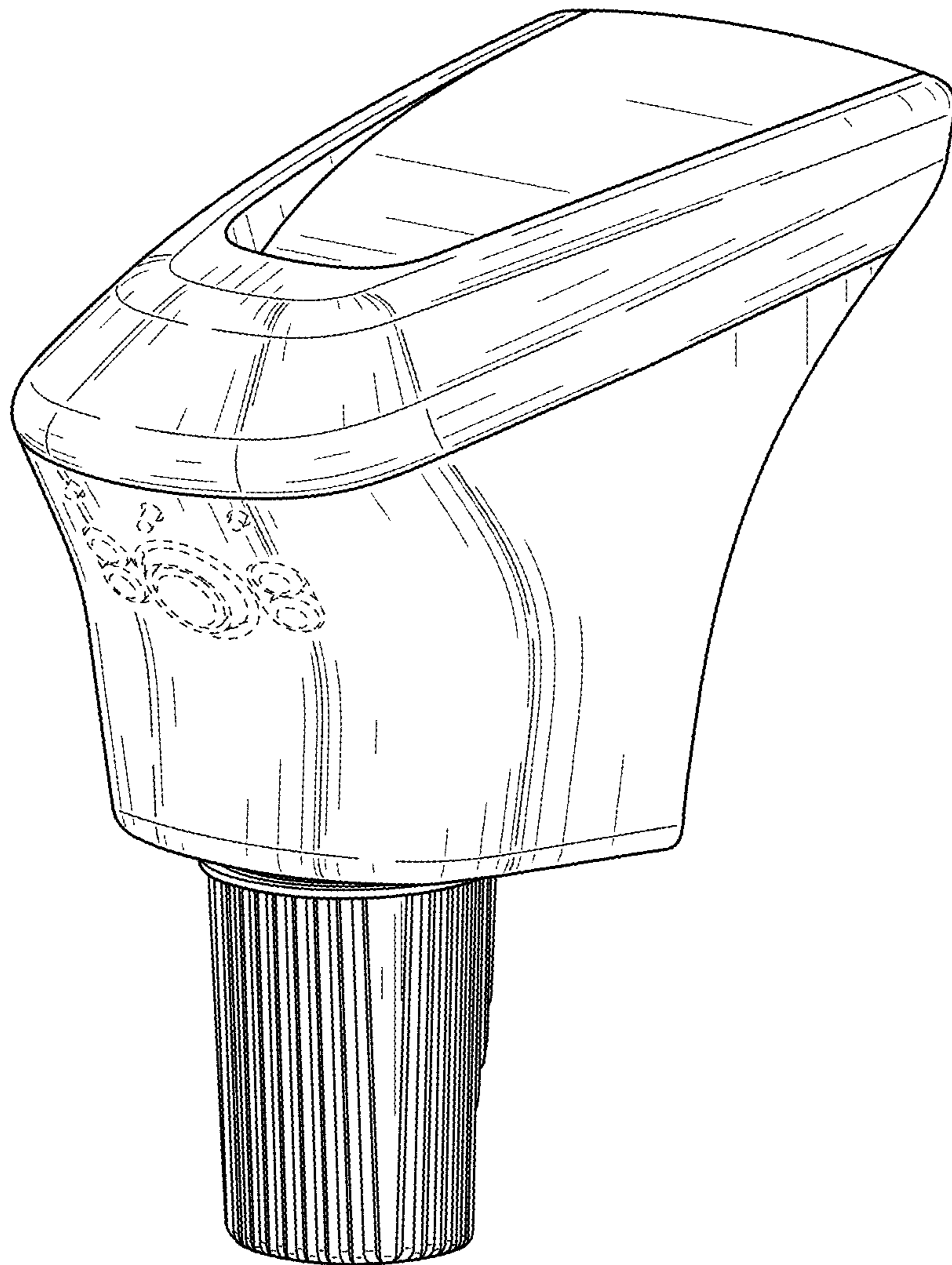


FIG. 8

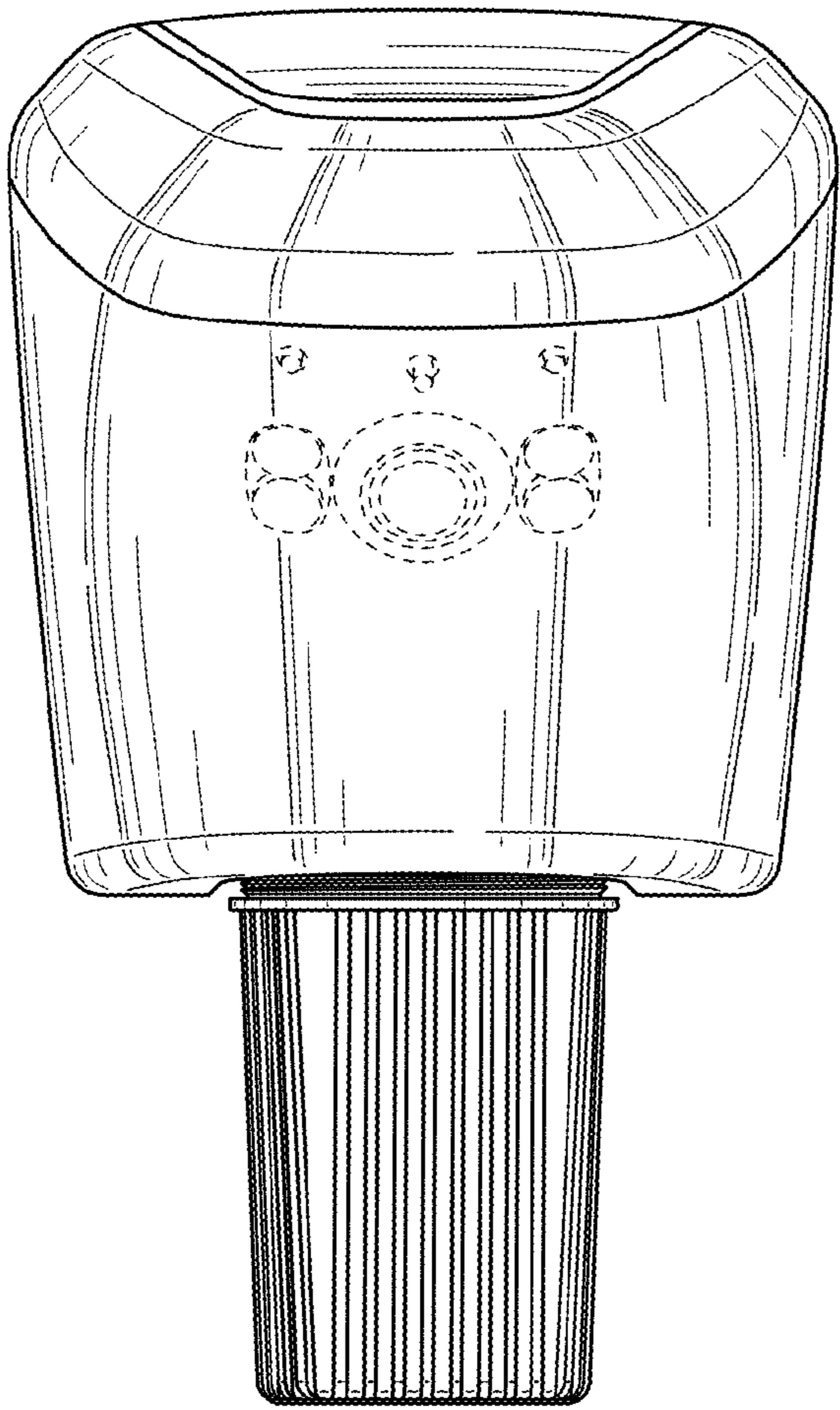


FIG. 9

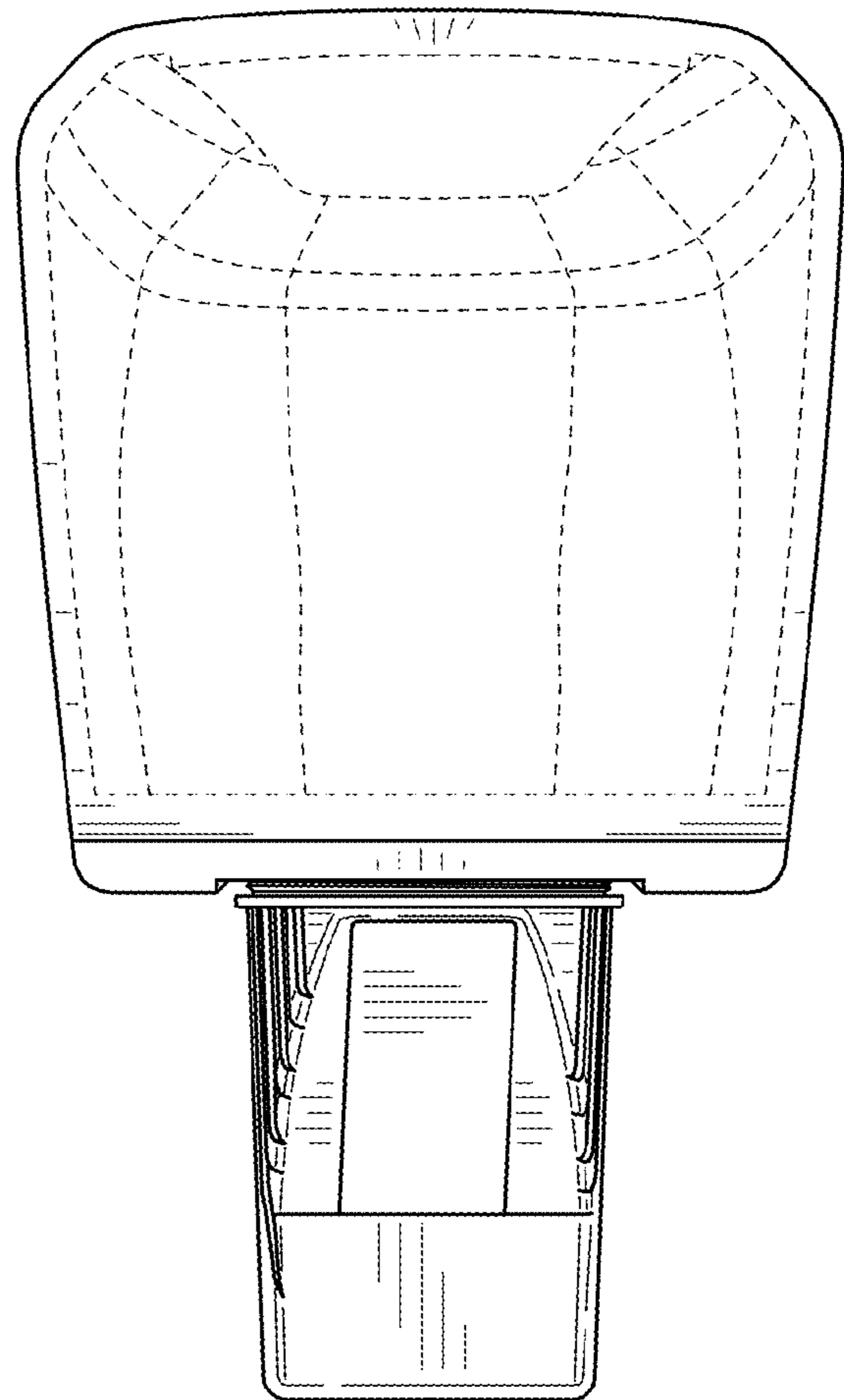


FIG. 10

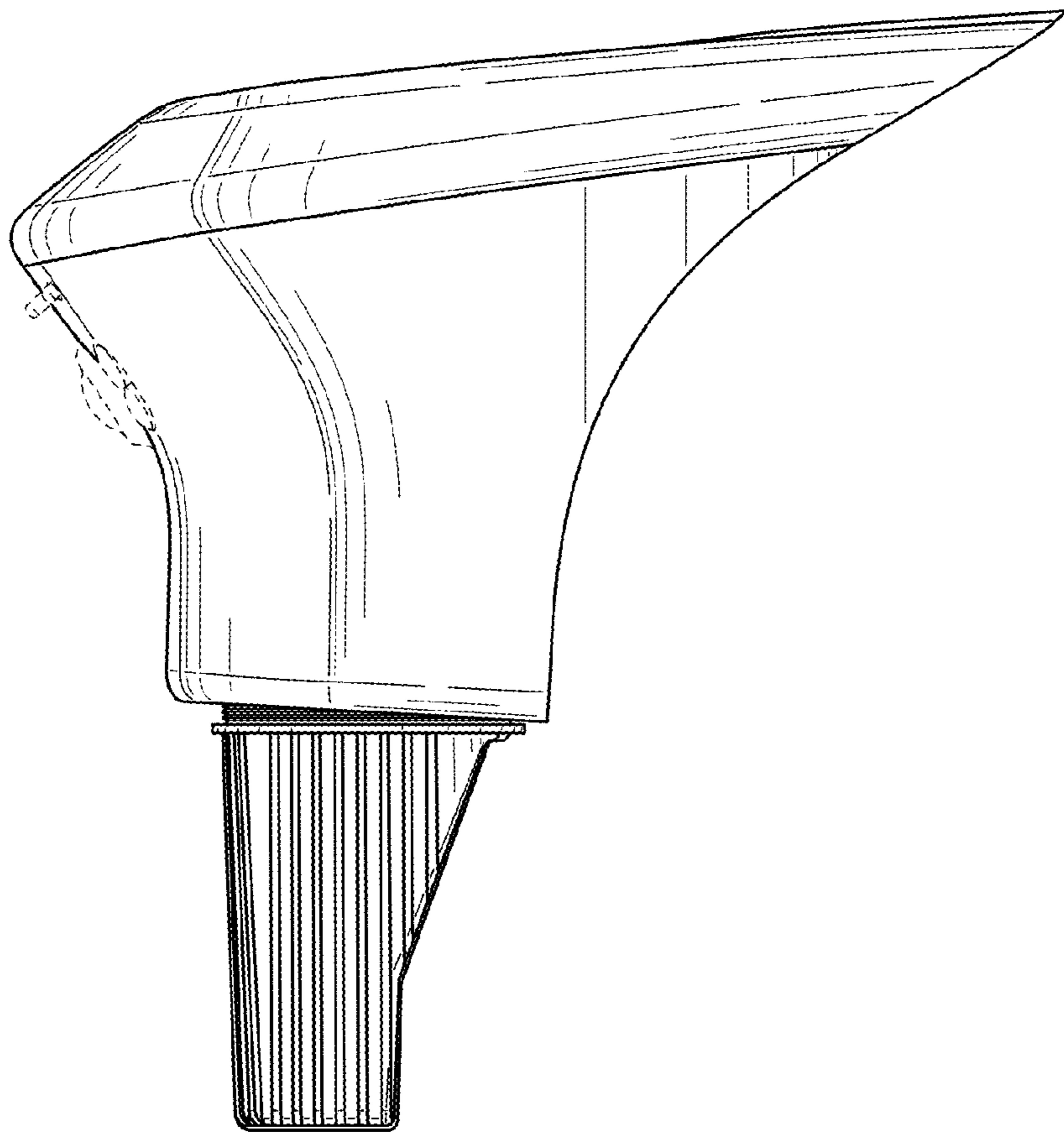


FIG. 11

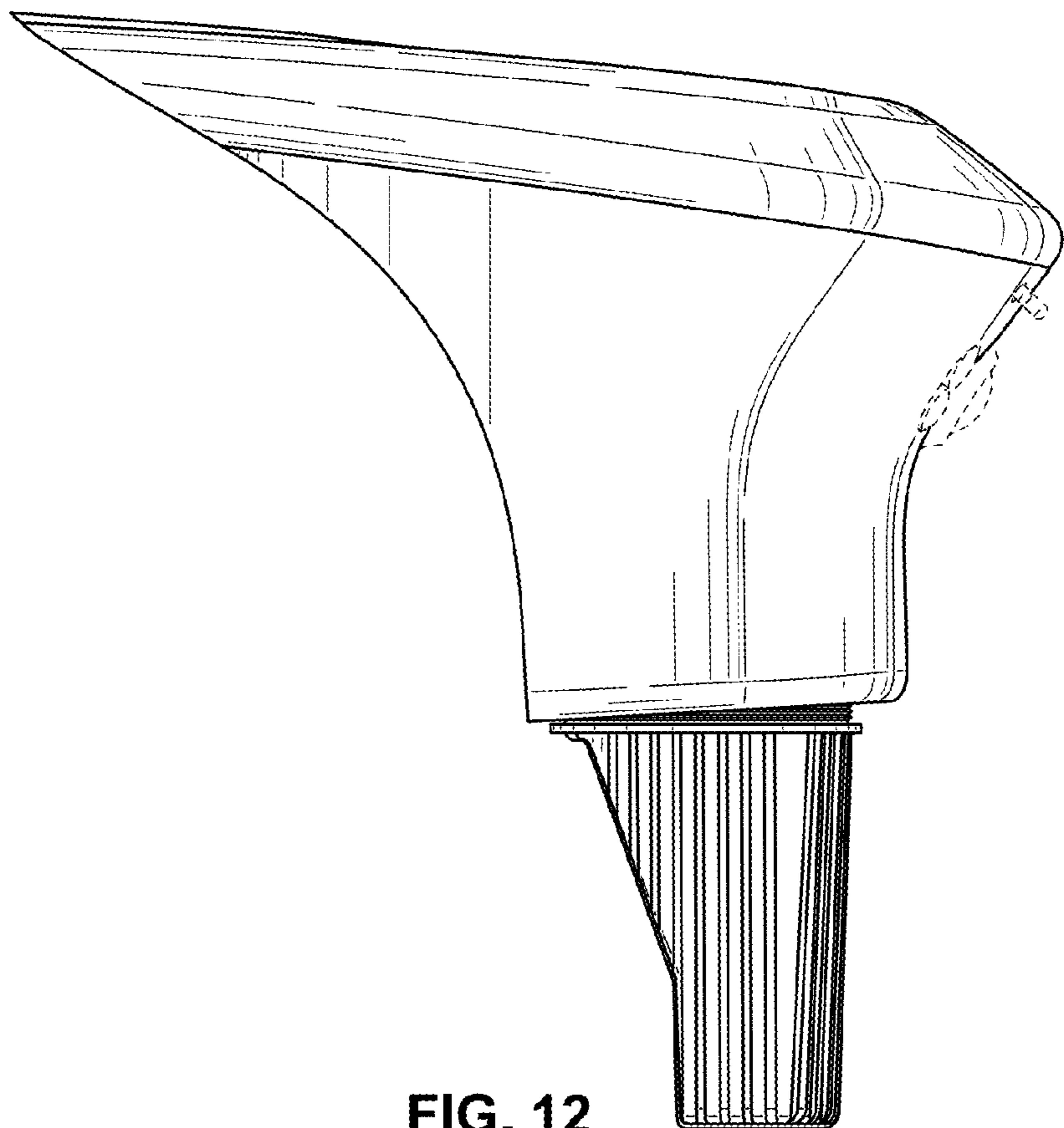


FIG. 12

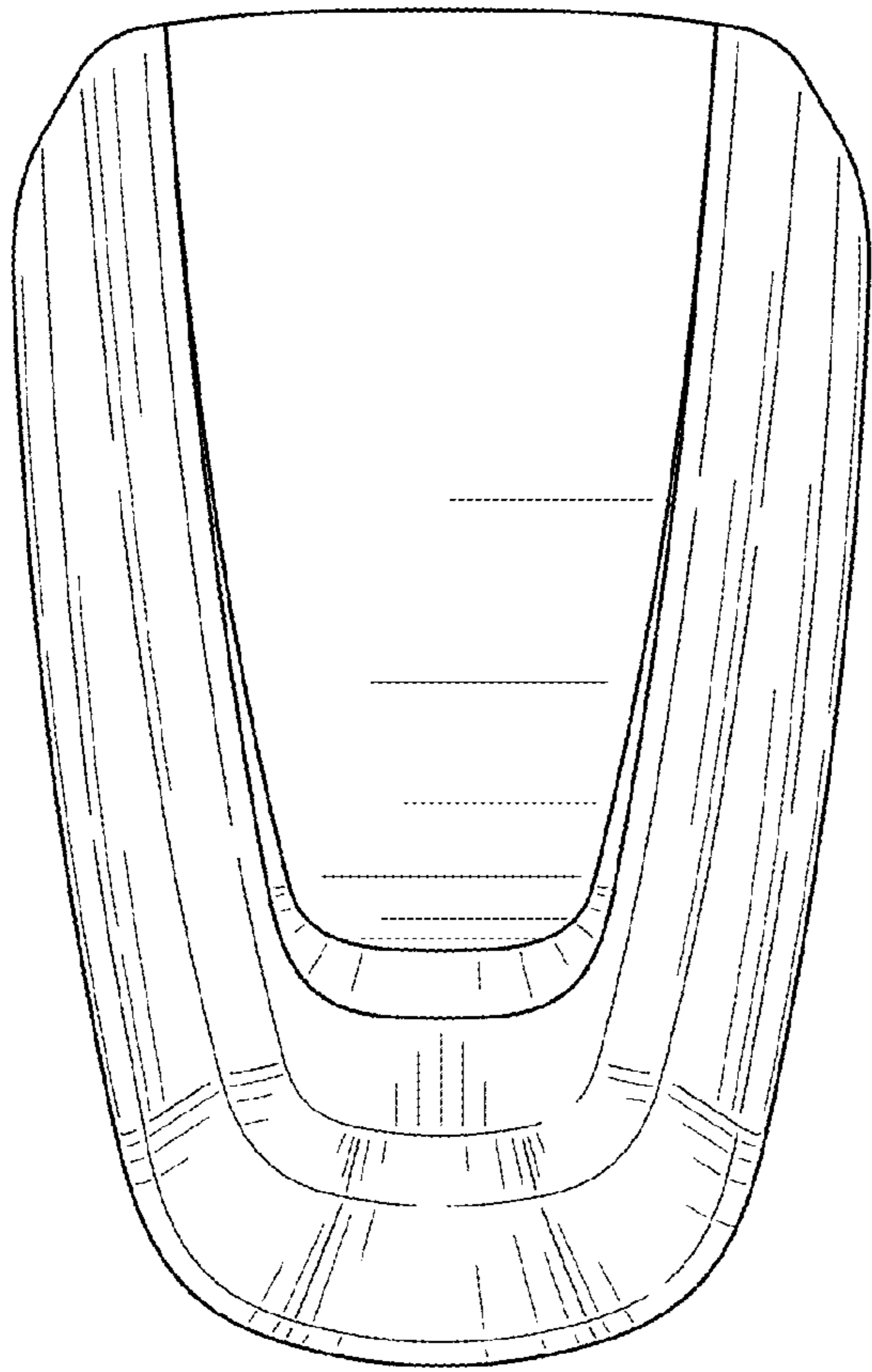


FIG. 13

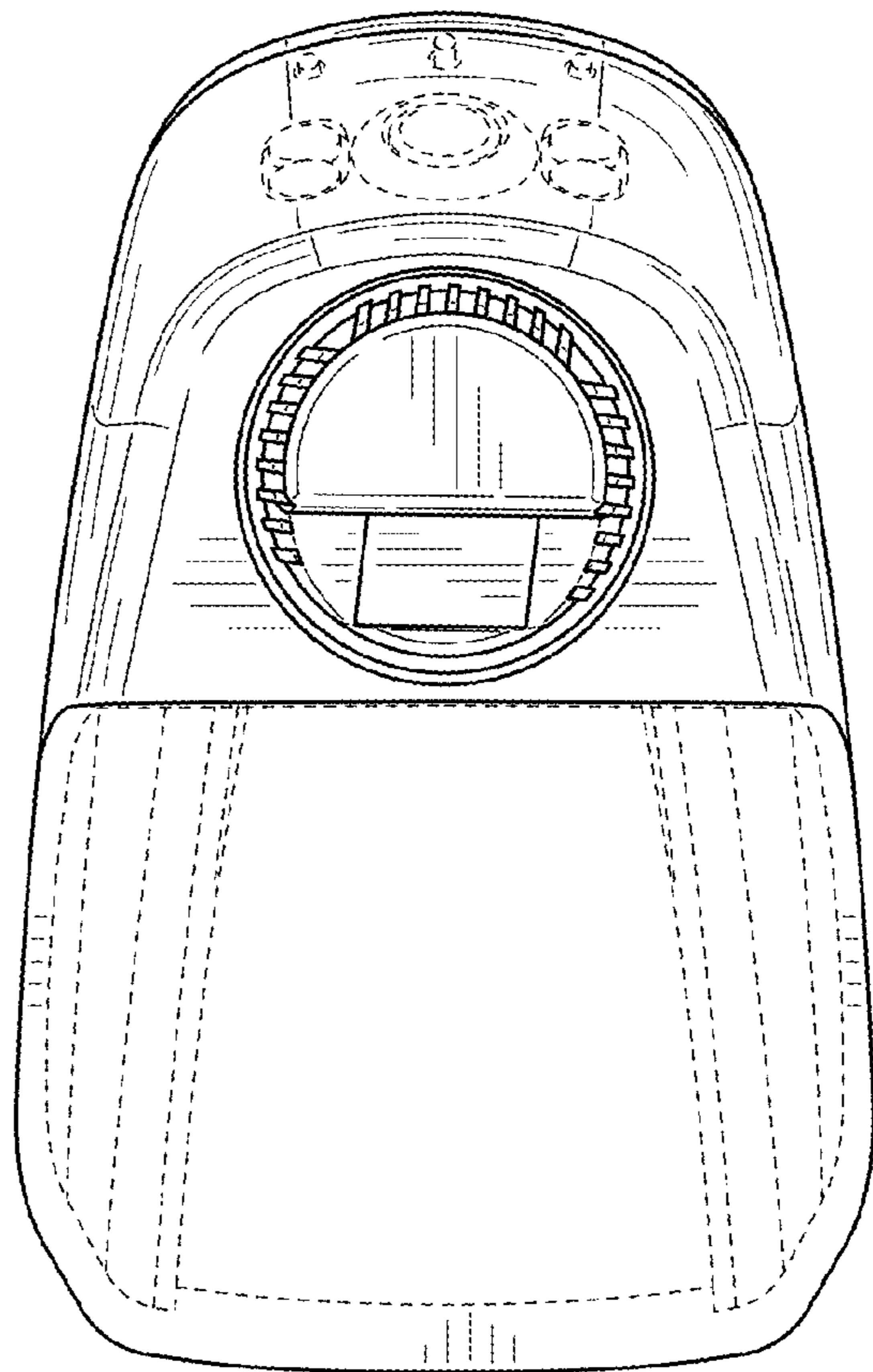


FIG. 14

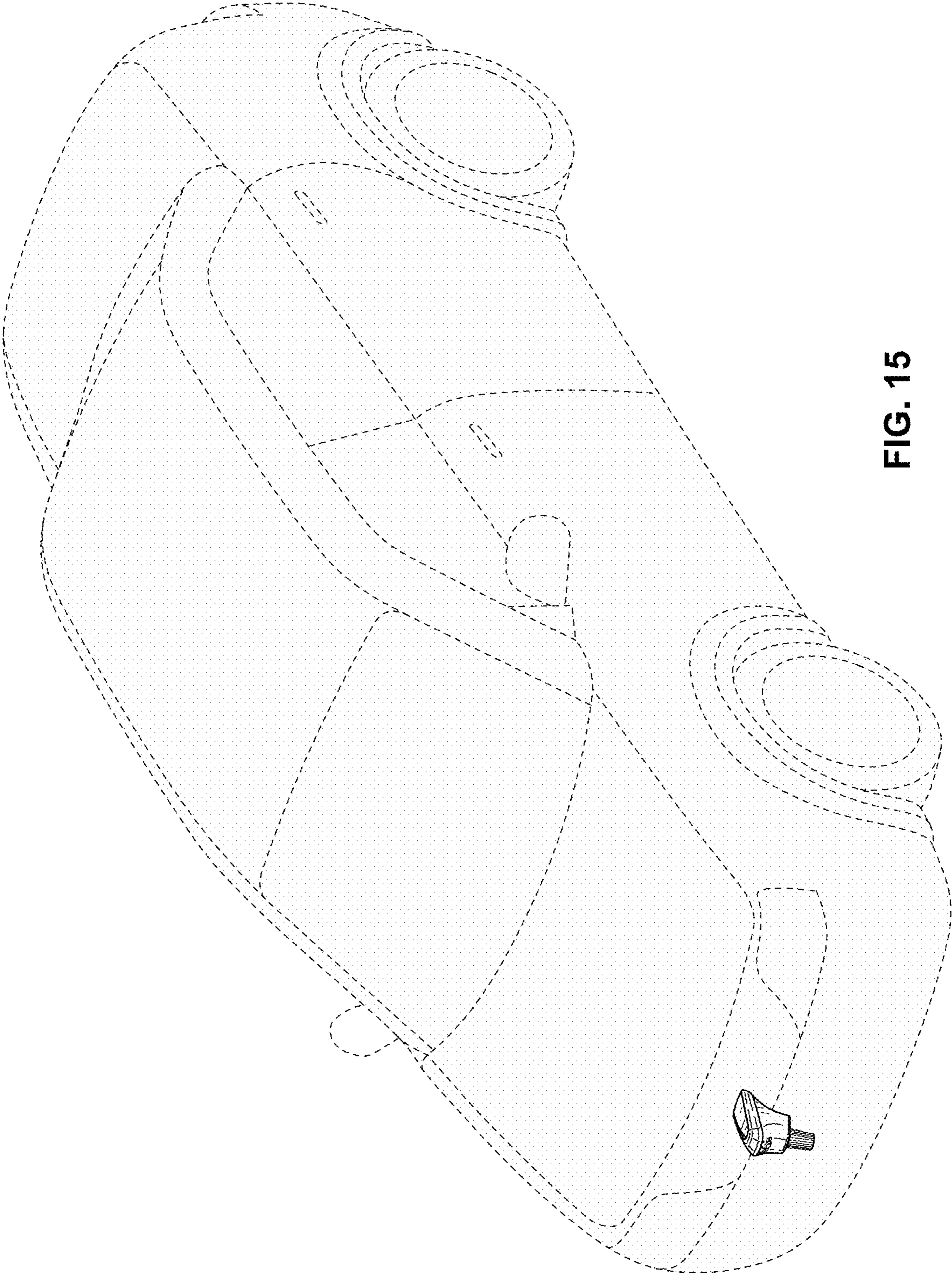


FIG. 15