



US00D927995S

(12) **United States Design Patent** (10) **Patent No.:** **US D927,995 S**
Deng (45) **Date of Patent:** **** Aug. 17, 2021**

(54) **METAL DETECTOR**

(71) Applicant: **SHANGHAI TIANXUN ELECTRONIC EQUIPMENT CO., LTD**, Shanghai (CN)

(72) Inventor: **Junhong Deng**, Shanghai (CN)

(73) Assignee: **SHANGHAI TIANXUN ELECTRONIC EQUIPMENT CO., LTD.**, Shanghai (CN)

(**) Term: **15 Years**

(21) Appl. No.: **29/752,768**

(22) Filed: **Sep. 29, 2020**

(51) **LOC (13) Cl.** **10-04**

(52) **U.S. Cl.**
USPC **D10/47**

(58) **Field of Classification Search**
USPC D10/47

CPC ... G01V 3/00; G01V 3/02; G01V 3/04; G01V 3/06; G01V 3/08; G01V 3/081; G01V 3/082; G01V 3/083; G01V 2003/084; G01V 2003/085; G01V 2003/086; G01V 3/087; G01V 3/088; G01V 3/10; G01V 3/101; G01V 3/102; G01V 3/104; G01V 3/105; G01V 3/107; G01V 3/108; G01V 3/12; G01V 3/14; G01V 3/15; G01V 3/16; G01V 3/165; G01V 3/17; G01V 3/175; G01V 3/18; G01V 3/20; G01V 3/22; G01V 3/24; G01V 3/26; G01V 3/265; G01V 3/28; G01V 3/30; G01V 3/32; G01V 3/34; G01V 3/36; G01V 3/38; G01V 3/40

See application file for complete search history.

(56) **References Cited**

U.S. PATENT DOCUMENTS

D863,077 S	10/2019	Shao	
D885,206 S *	5/2020	Deng	D10/47
D885,939 S *	6/2020	Deng	D10/47
D889,999 S	7/2020	Qin	
D899,275 S *	10/2020	Ye	D10/47
D907,513 S *	1/2021	Qin	D10/47
D918,062 S *	5/2021	Qin	D10/47

* cited by examiner

Primary Examiner — Antoine Duval Davis

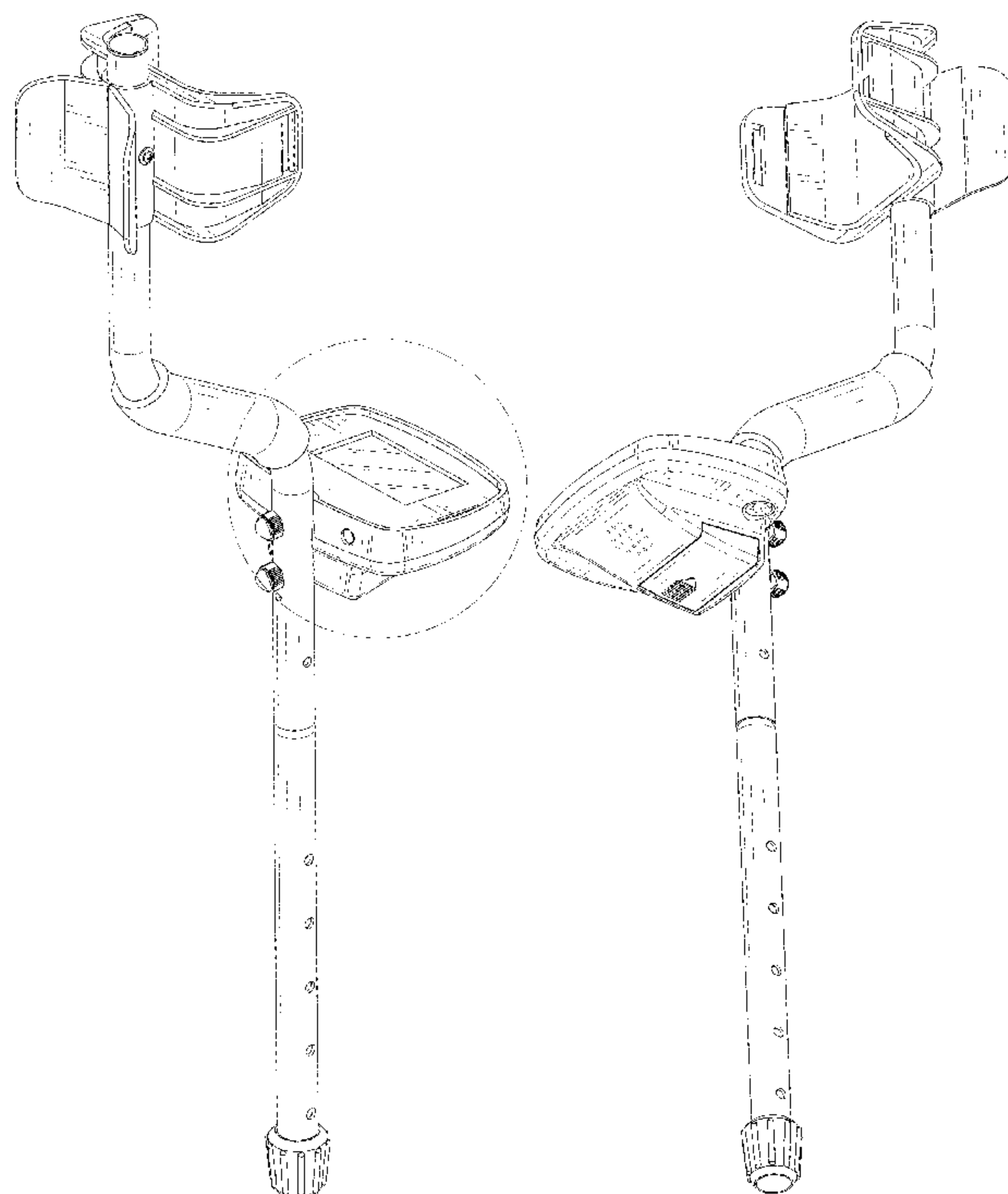
(57) **CLAIM**

The ornamental design for a metal detector, as shown and described.

DESCRIPTION

FIG. 1 is a perspective view of a metal detector showing my new design;
 FIG. 2 is another perspective view thereof;
 FIG. 3 is a front elevational view thereof;
 FIG. 4 is a rear elevational view thereof;
 FIG. 5 is a left side elevational view thereof;
 FIG. 6 is a right side elevational view thereof;
 FIG. 7 is a top plan view thereof;
 FIG. 8 is a bottom plan view thereof; and,
 FIG. 9 is an enlarged view of portion 9 shown in FIG. 1.
 The broken lines in the drawings depict portions of the metal detector that form no part of the claimed design.

1 Claim, 9 Drawing Sheets



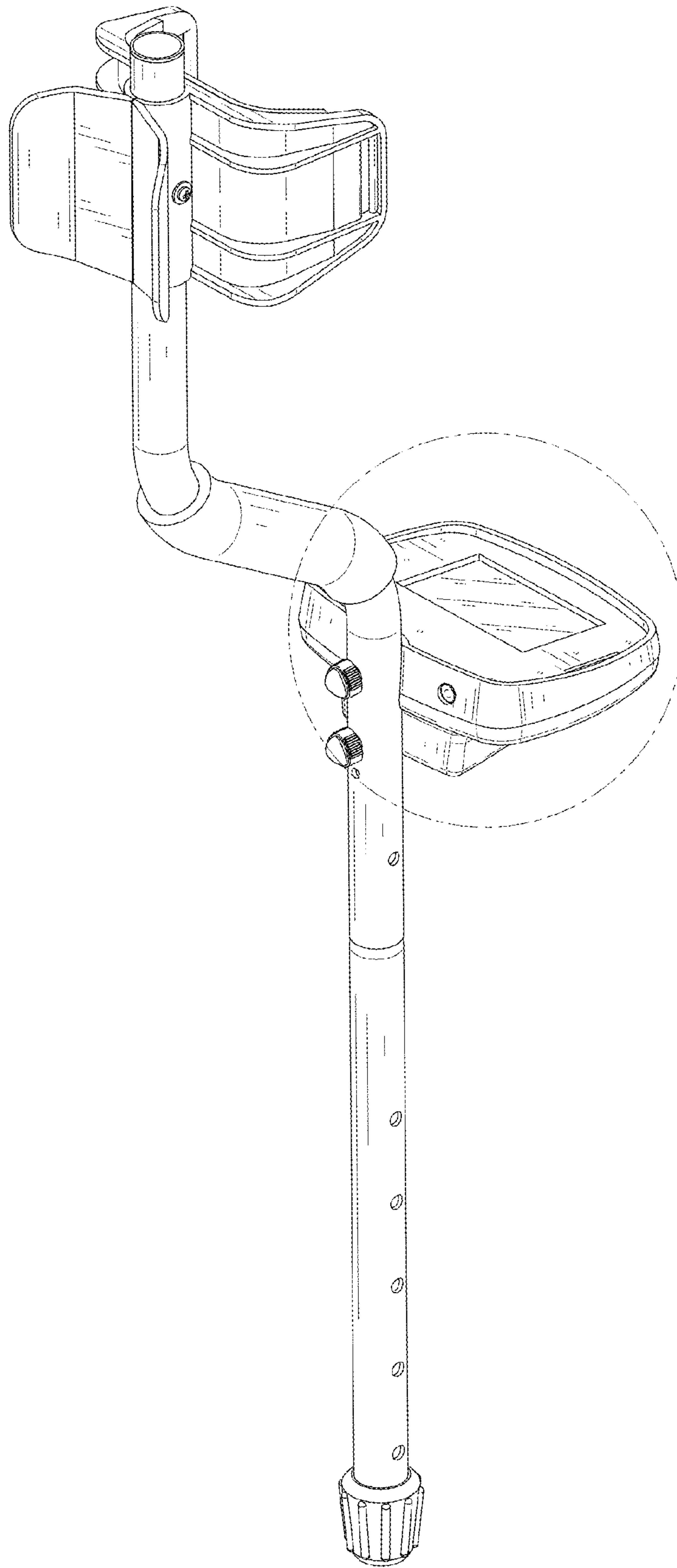


FIG. 1

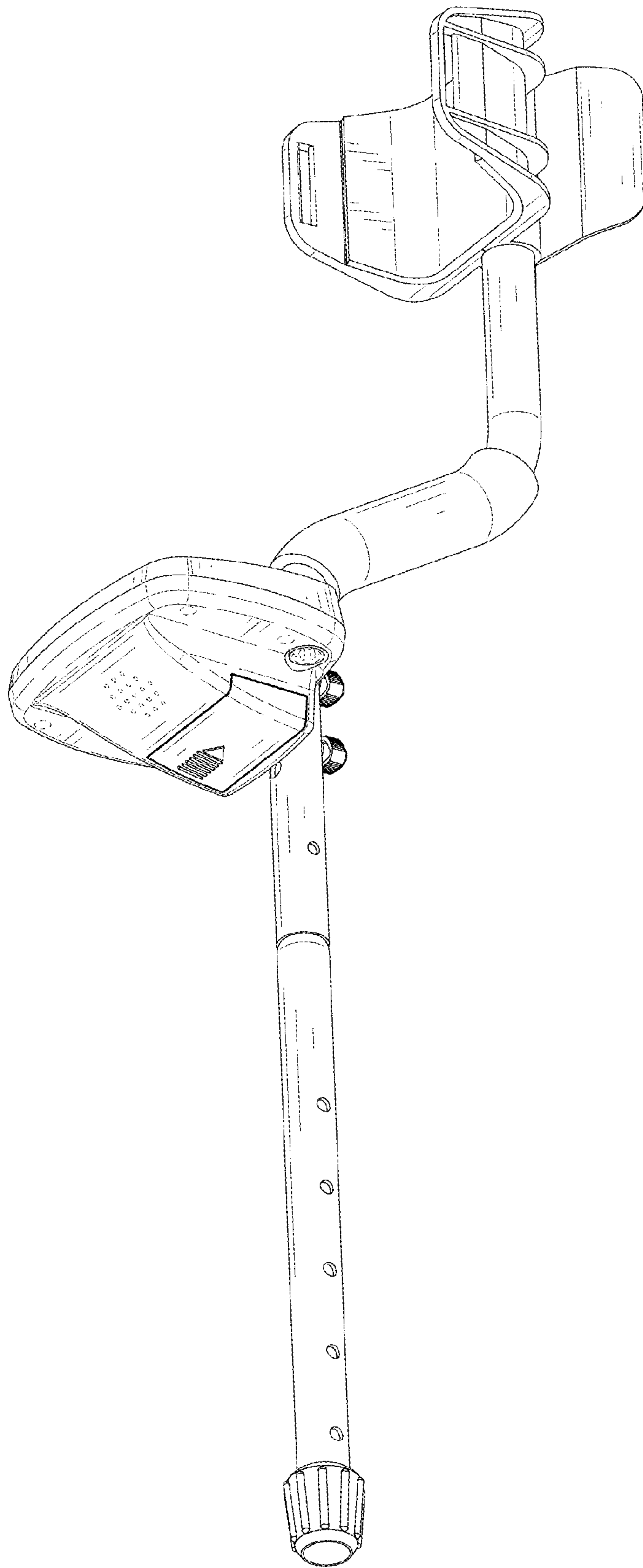


FIG. 2

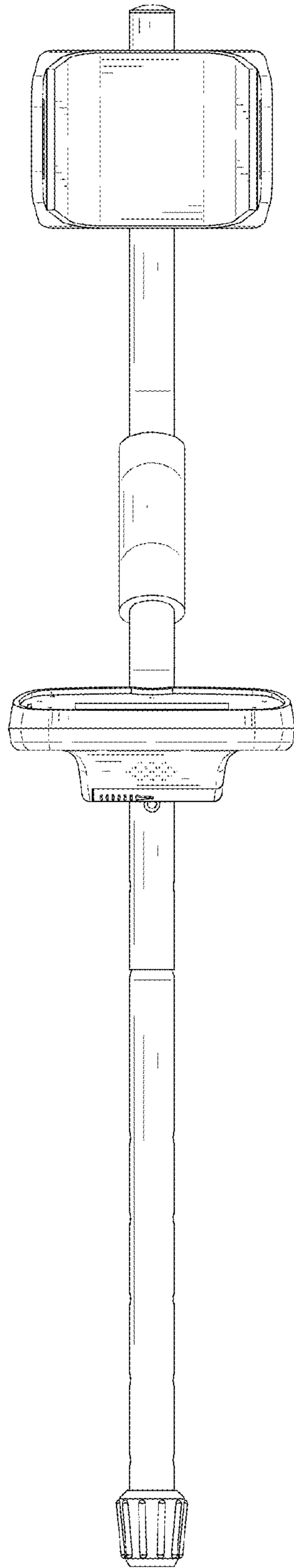


FIG. 3

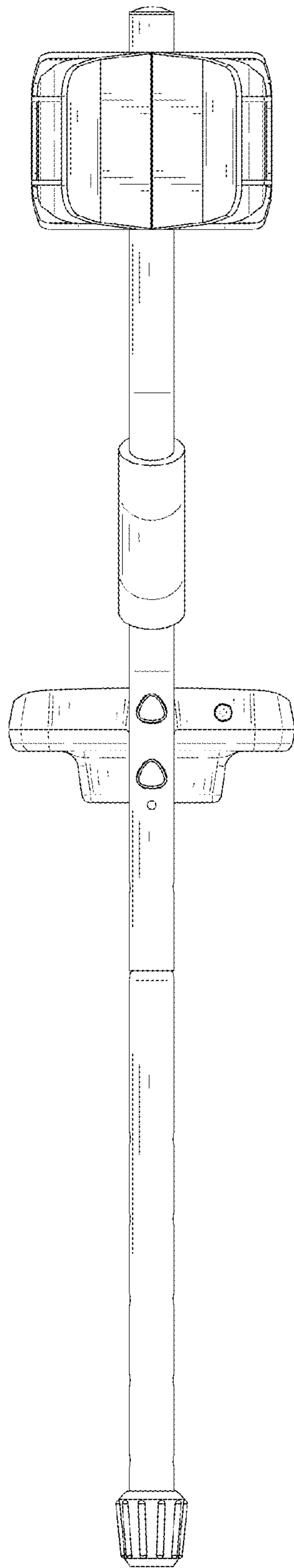


FIG. 4

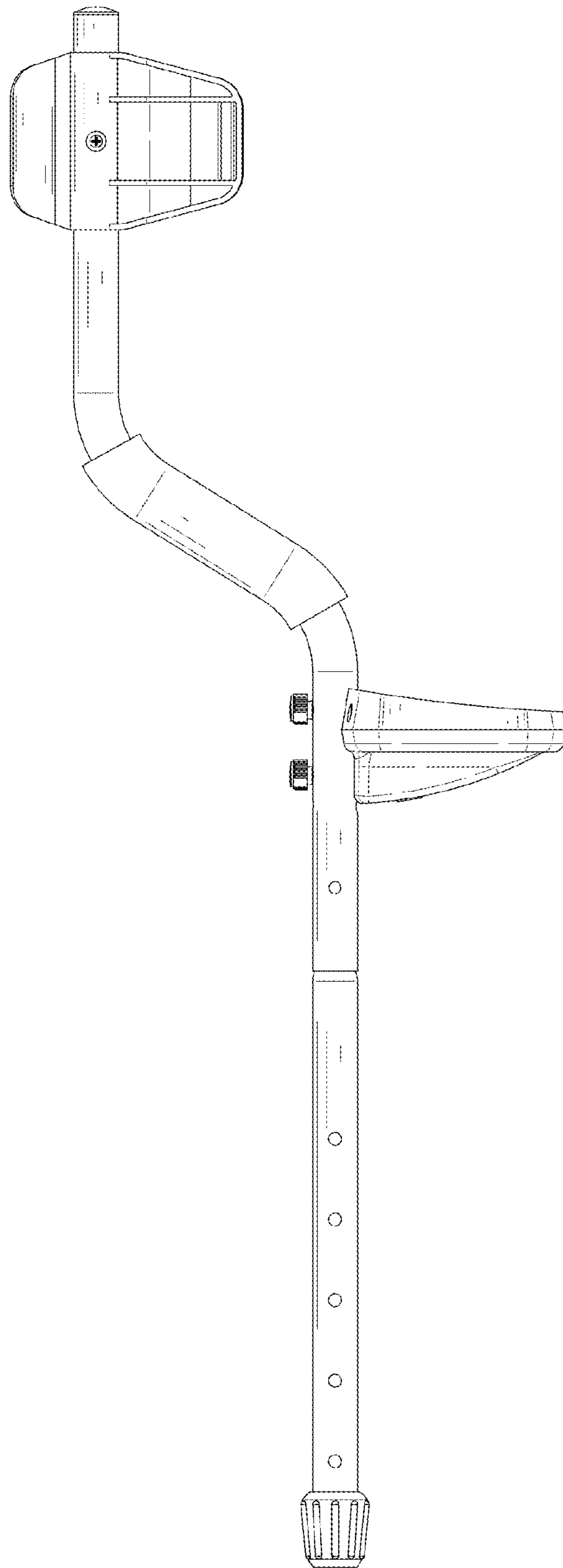


FIG. 5

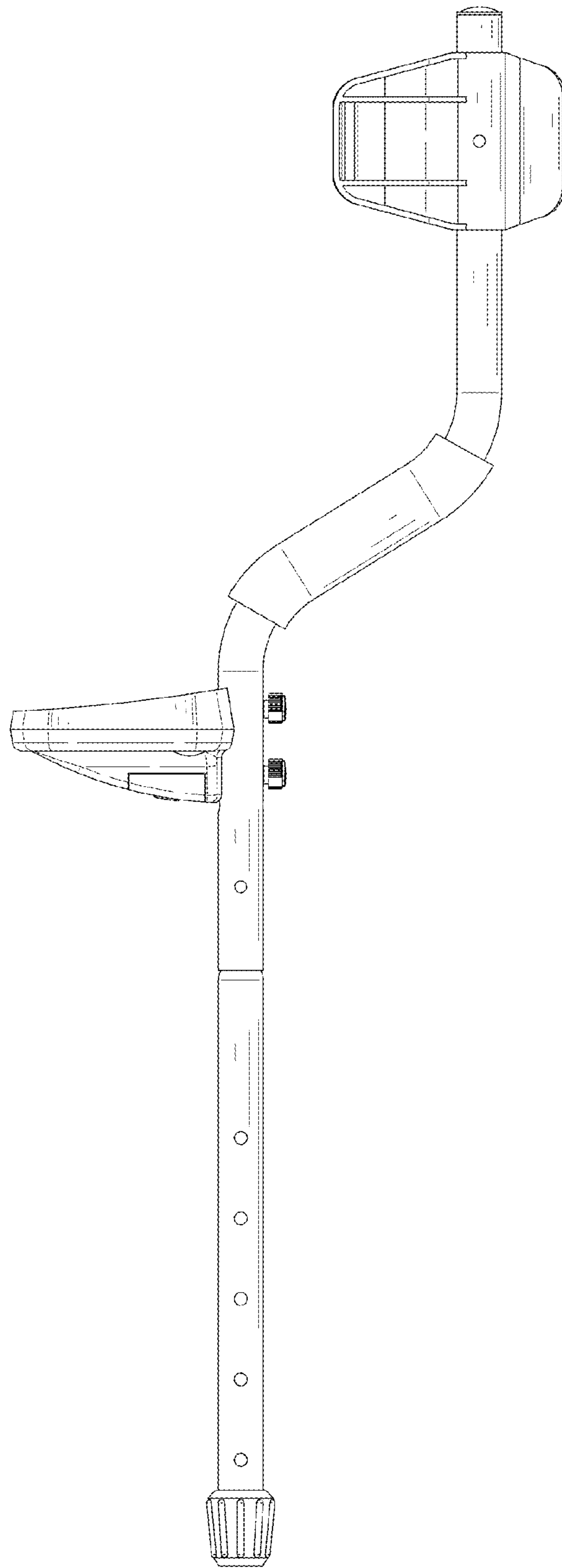


FIG. 6

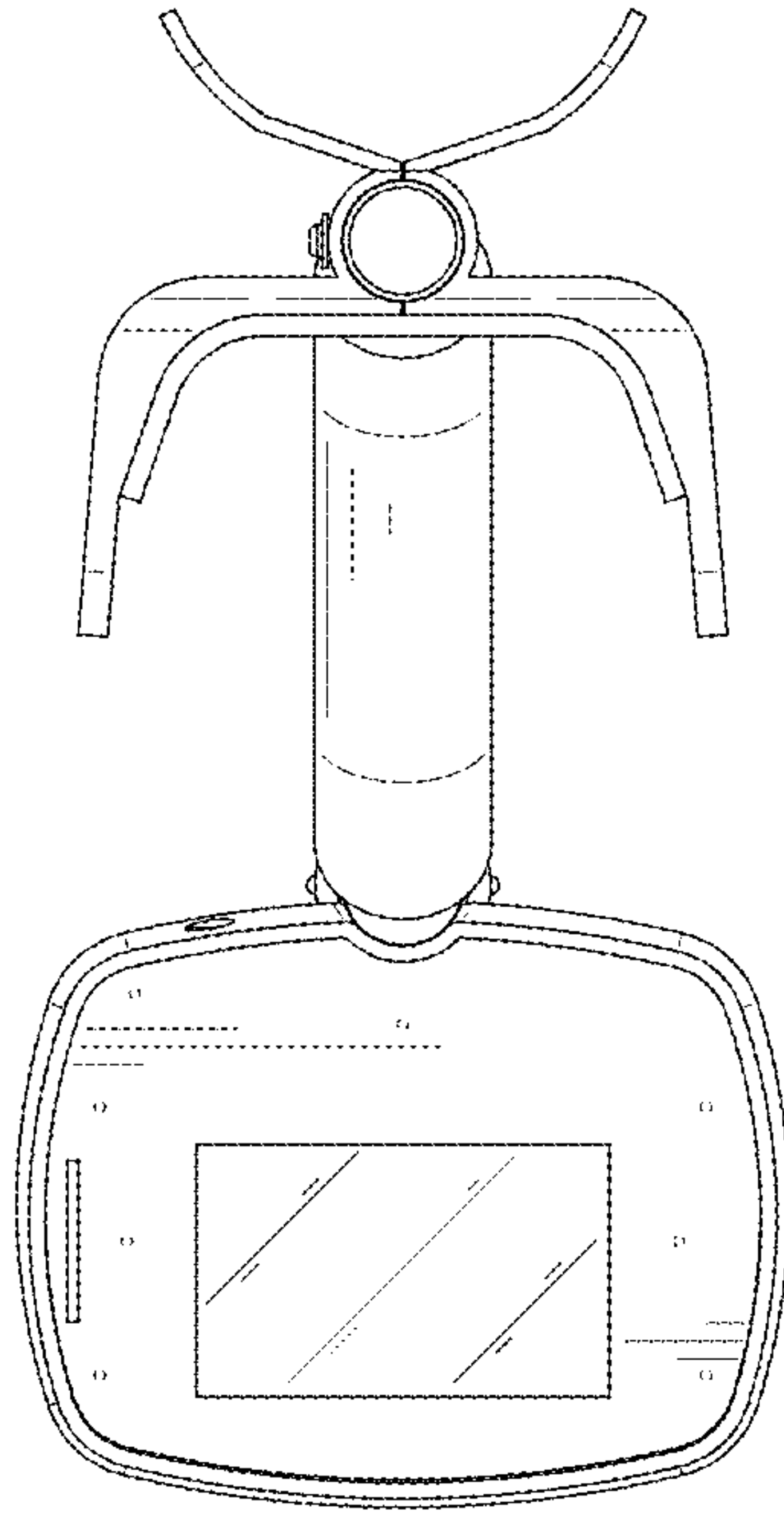


FIG. 7

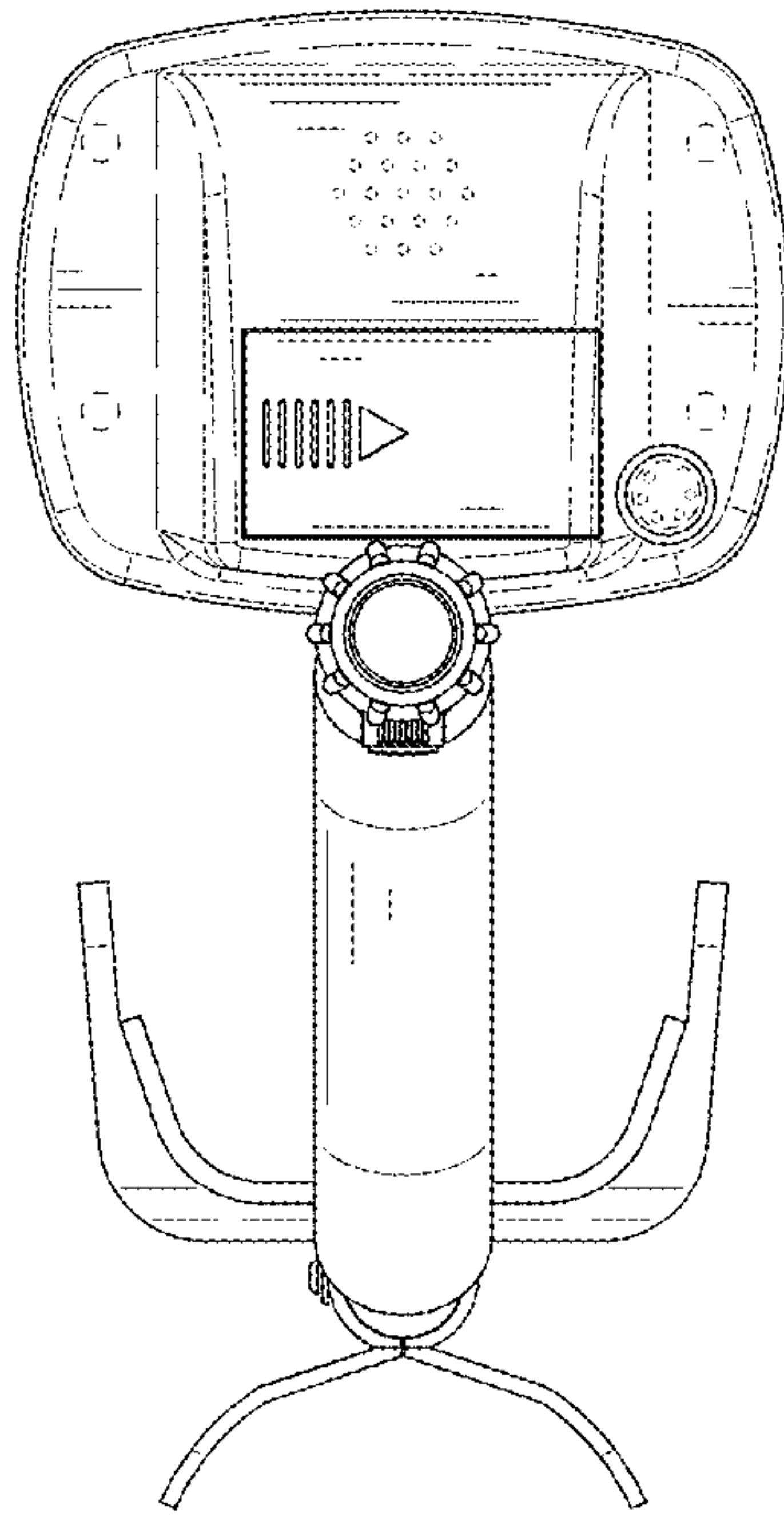


FIG. 8

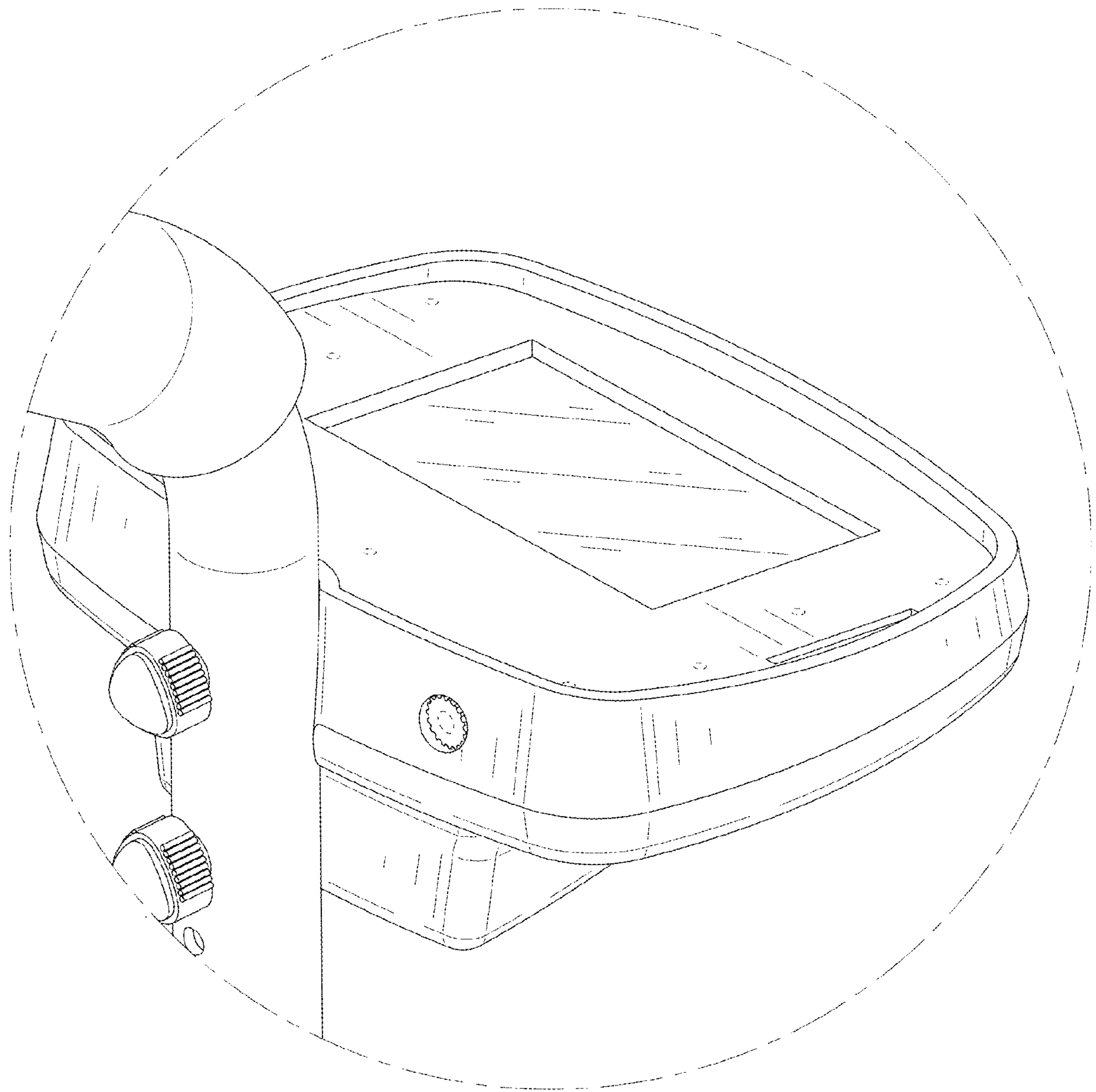


FIG. 9