



US00D927991S

(12) **United States Design Patent** (10) **Patent No.:** **US D927,991 S**
Ide et al. (45) **Date of Patent:** **** Aug. 17, 2021**

- (54) **WATCH WITH DISPLAY**
- (71) Applicant: **Garmin Switzerland GmbH**,
Schaffhausen (CH)
- (72) Inventors: **Brian S. Ide**, Westwood, KS (US);
Peter J. Henne, Overland Park, KS
(US); **Jason D. George**, Overland Park,
KS (US); **Michael J. DeVore**, Prairie
Village, KS (US); **Jacob T. Bruce**,
Kansas City, MO (US)
- (73) Assignee: **Garmin Switzerland GmbH**
- (**) Term: **15 Years**
- (21) Appl. No.: **29/652,229**
- (22) Filed: **Jun. 18, 2020**
- (51) **LOC (13) Cl.** **10-02**
- (52) **U.S. Cl.**
USPC **D10/38; D14/344**
- (58) **Field of Classification Search**
USPC D10/30-39, 65, 70, 97, 98, 122, 132;
D14/250, 344, 440; D24/167, 186
CPC G04B 37/005; G04B 37/0058; G04B
37/0084; G04B 37/087; G04B 37/12;
A44C 5/00; A44C 5/02; A44C 5/0007;
A44C 5/0015; A44C 5/0023; A44C
5/0053; A44C 5/147; G06F 1/163; A61B
5/681
See application file for complete search history.

(56) **References Cited**
U.S. PATENT DOCUMENTS

D222,784 S	12/1971	Kurth
3,733,809 A	5/1973	Reiter et al.
3,740,944 A	6/1973	Chopard
3,901,023 A	8/1975	Uebelhardt
D317,265 S	6/1991	Giolla et al.
5,226,023 A	7/1993	Grimm
D399,140 S	10/1998	Voegeli

5,974,000 A	10/1999	Pfeil
D417,158 S	11/1999	Krauss
D459,241 S	6/2002	Bodino
D460,002 S	7/2002	Wunderman
D471,115 S	3/2003	Buechner
6,577,558 B1	6/2003	Ricci
D476,581 S	7/2003	Calvani et al.
D504,624 S	5/2005	Bodino

(Continued)

OTHER PUBLICATIONS

Garmin Forerunner 745 8 Months Later Review Update | dcrainmaker.com; posted Apr. 20, 2021 [online]. © © 2021 DC Rainmaker [retrieved Apr. 22, 2021] from Internet: <https://www.dcrainmaker.com/2021/04/garmin-forerunner-745-review-update-8-months-later.html> (Year: 2021).*

(Continued)

Primary Examiner — Katherine Glennon
(74) *Attorney, Agent, or Firm* — Samuel M. Korte; Max M. Ali

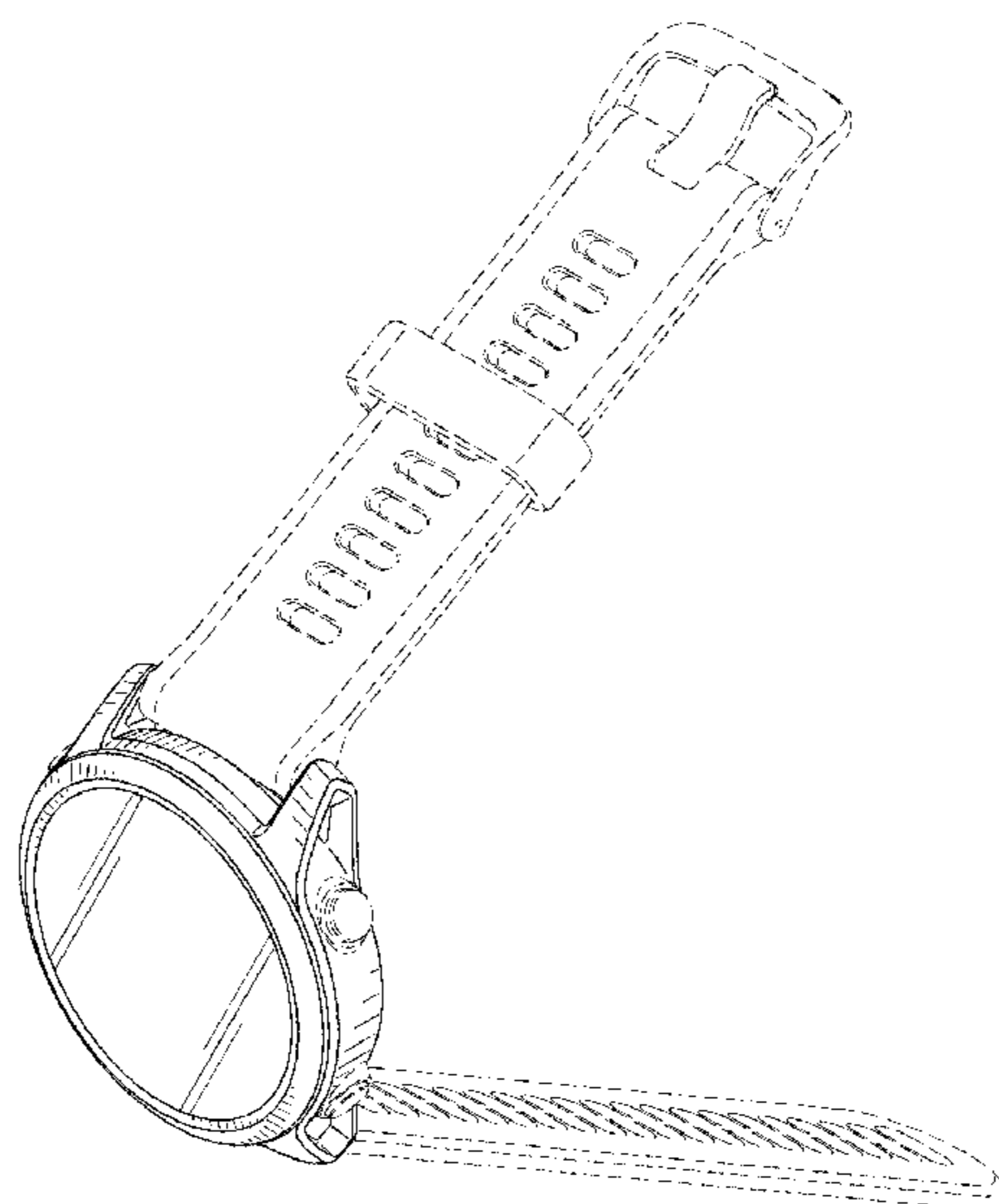
(57) **CLAIM**

The ornamental design for a watch with display, as shown and described.

DESCRIPTION

FIG. 1 is a front perspective view of a watch with display according to the present invention; FIG. 2 is a rear perspective view of the watch with display; FIG. 3 is a front view of the watch with display; FIG. 4 is a rear view of the watch with display; FIG. 5 is a left side view of the watch with display; FIG. 6 is a right side view of the watch with display; FIG. 7 is a top view of the watch with display; and, FIG. 8 is a bottom view of the watch with display. The broken lines shown in the drawings represent portions of the watch with display that form no part of the claimed design.

1 Claim, 4 Drawing Sheets



(56)

References Cited

U.S. PATENT DOCUMENTS

D509,150 S 9/2005 Bodino
 D521,879 S 5/2006 Tonohori
 D538,182 S 3/2007 Lalo
 D566,579 S 4/2008 Tran
 D573,486 S 7/2008 Sanz
 D585,310 S 1/2009 Allison
 D589,837 S 4/2009 Genender
 D592,975 S 5/2009 Markl
 D596,510 S 7/2009 Register et al.
 D602,386 S 10/2009 Ueda et al.
 D607,346 S 1/2010 Bove et al.
 D610,922 S 3/2010 Lammers-Meis et al.
 D633,812 S 3/2011 Yurman
 D657,697 S 4/2012 Lammers-Meis et al.
 D658,079 S 4/2012 Emch
 D658,518 S 5/2012 Behling
 D659,554 S 5/2012 Yurman
 D660,726 S 5/2012 Register et al.
 D660,727 S 5/2012 Parmigiani
 D661,206 S 6/2012 Register et al.
 D664,865 S 8/2012 Luk Ying Yee
 D682,712 S 5/2013 Lammers-Meis et al.
 D684,486 S 6/2013 Messmer et al.
 D690,611 S 10/2013 Inoue
 D700,080 S 2/2014 Broadbent et al.
 D725,497 S 3/2015 Henne et al.
 D739,268 S 9/2015 Lammers-Meis et al.
 D740,136 S 10/2015 Henne et al.
 D742,761 S 11/2015 Grazian et al.
 D743,282 S 11/2015 Park et al.
 D753,832 S 4/2016 Lin et al.
 D756,240 S 5/2016 Register et al.
 D768,623 S 10/2016 Zou et al.
 D769,134 S 10/2016 Schwamkrug
 D769,737 S 10/2016 Voirin
 D772,081 S 11/2016 Lee et al.
 D773,944 S 12/2016 Wang
 D789,808 S 6/2017 Kimura
 D799,986 S 10/2017 Monachon
 D805,405 S 12/2017 Henne et al.
 D805,406 S 12/2017 Register et al.
 9,835,457 B2 12/2017 Morris
 D806,581 S 1/2018 Register et al.
 D806,582 S 1/2018 Register et al.
 D812,607 S 3/2018 Mistry et al.
 D814,947 S * 4/2018 Emmenegger D10/39
 D819,021 S 5/2018 Mistry et al.
 D819,627 S * 6/2018 Boukai D14/344
 D827,831 S 9/2018 Fong et al.
 D828,351 S 9/2018 Xie et al.
 D834,430 S 11/2018 Schaad
 D836,464 S 12/2018 Liu et al.
 D836,465 S 12/2018 Register et al.
 D836,466 S 12/2018 Shi
 10,146,188 B2 12/2018 Katzer et al.
 D839,753 S 2/2019 Domke et al.
 D844,458 S * 4/2019 Lillquist D10/30
 10,276,925 B2 4/2019 Han et al.
 D847,662 S * 5/2019 Ciobanu D10/30
 D848,864 S 5/2019 Mockler et al.

D851,504 S 6/2019 Henne et al.
 D857,528 S 8/2019 Moilanen et al.
 10,474,194 B1 * 11/2019 Ell G06F 1/1656
 D877,627 S * 3/2020 Muller D10/30
 D900,643 S * 11/2020 Barberis D10/38
 D900,644 S * 11/2020 Register D10/38
 D900,645 S 11/2020 Henne et al.
 D905,576 S * 12/2020 Lillquist D10/38
 D912,539 S * 3/2021 Connor D10/38
 D912,542 S * 3/2021 Moilanen D10/38
 10,944,158 B2 * 3/2021 Sayem H01Q 7/00
 2013/0078528 A1 3/2013 Swift
 2013/0088942 A1 4/2013 Perko et al.
 2018/0173166 A1 6/2018 Kayano et al.

OTHER PUBLICATIONS

Printout from <https://buy.garmin.com/en-US/US/p/628939/pn/010-02120-00>, published prior to Jun. 18, 2020.
 Printout from <https://buy.garmin.com/en-US/US/p/564291/pn/010-01746-02>, published prior to Jun. 18, 2020.
 Printout from <https://buy.garmin.com/en-US/US/p/621922/pn/010-02063-00>, published prior to Jun. 18, 2020.
 Printout from <http://www.suunto.com/en-US/Product-search/See-all-Sports-Watches/?sortby=New&searchTerm=traverse&page=0> published prior to Dec. 15, 2016.
 Printout from www.dcrainmaker.com/2012/04/suunto-ambit-in-depth-review.html published prior to Sep. 29, 2015.
 Printout from <http://www.apple.com/watch/> published prior to Jan. 25, 2016.
 Printout from https://www.bloomingdales.com/shop/product/g-shock-g-steel-53.8mm?ID=2725010&pla_country=US&cm_mmc=Google-PLA-ADC--Jewelry%20%26%20Accessories-NA--G-shock--889232168203USA&CAWELAID=120156070005934945&CAGPSPN=pla&CAAGID=47685648719&CATCI=pla-383074889643&CATARGETID=1201560700062413848<cadevice=c&gclid=EAlalOobChMlvMbEIL3B1wIVk6DsCh3QDwNMEAQYASABEgJNgvD_BwE, published prior to Dec. 15, 2016.
 Printout from www.suunto.com/en-US/Products/Sports-Watches/Suunto-Ambit2/Suunto-Ambit2-Black/ published prior to Sep. 29, 2015.
 Rainmaker, DC, Polar Vantage V Multisport GPS In-Depth Review, <https://www.dcrainmaker.com/2018/12/polar-vantage-v-multisport-review.html>, Dec. 19, 2018.
 Nicholson Ian, OutdoorGearLab, "Suunto Core Review," <https://www.outdoorgearlab.com/reviews/camping-and-hiking/altimeter-watch/suunto-core>, Mar. 18, 2013.
 Printout from <https://www.suunto.com/en-us/Products/Sports-Watches/Suunto-Elementum-Ventus/Suunto-Elementum-Ventus-Brown-Leather/> published prior to Apr. 6, 2017.
 Printout from <http://www.gpsrunningwatchreview.com/reviews/suunto-x10-review/> published Nov. 2010.
 Rainmaker, DC, "Garmin Forerunner 645 Music GPS Running Watch In-Depth Review," <https://www.dcrainmaker.com/2018/03/garmin-forerunner-645-music-gps-watch-in-depth-review.html>, Mar. 6, 2018.
 Wired, "Review: Suunto Spartan HR Baro," <https://www.wired.com/review/review-suunto-spartan-hr-baro/>, Feb. 13, 2018.

* cited by examiner

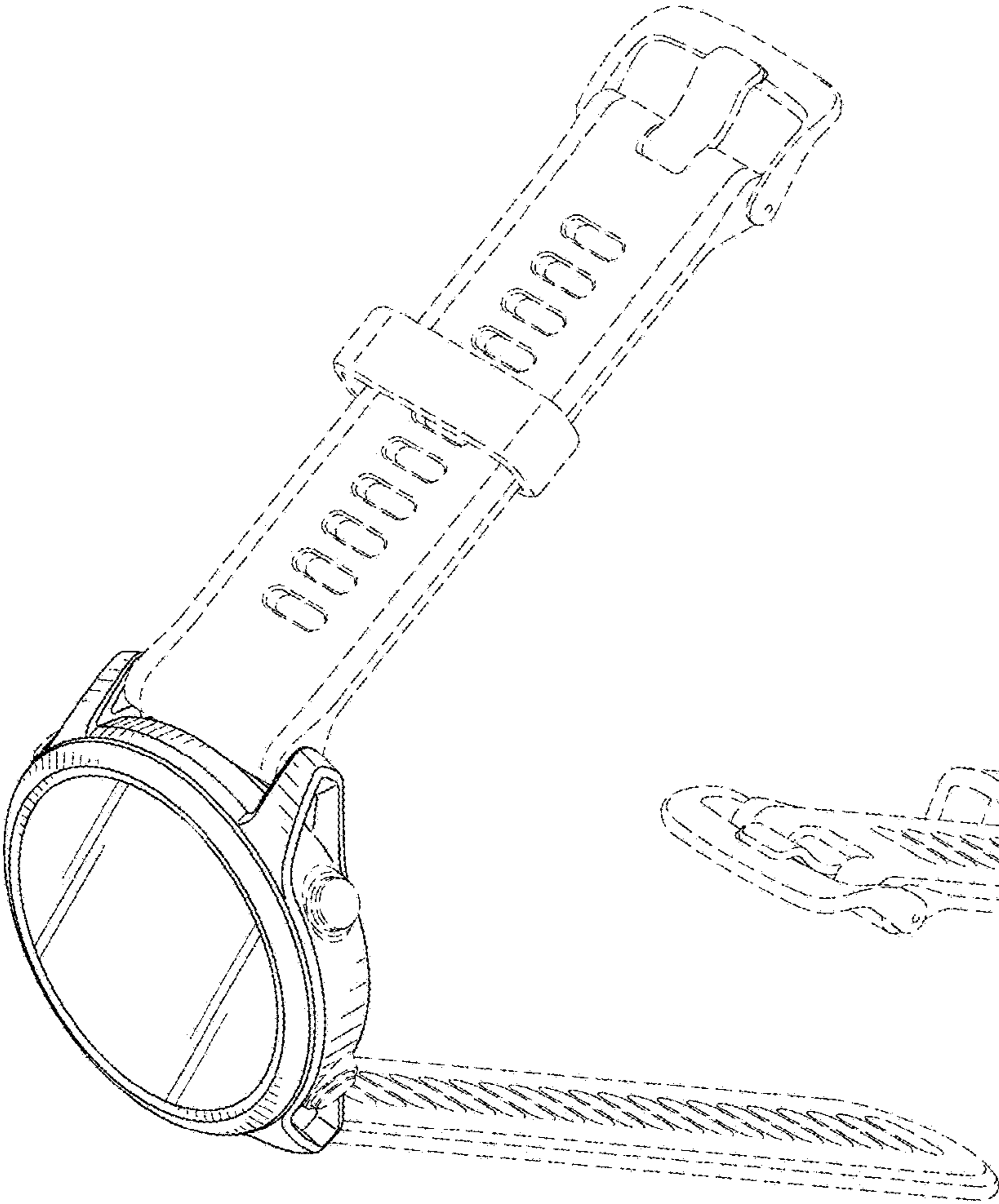


Fig. 1

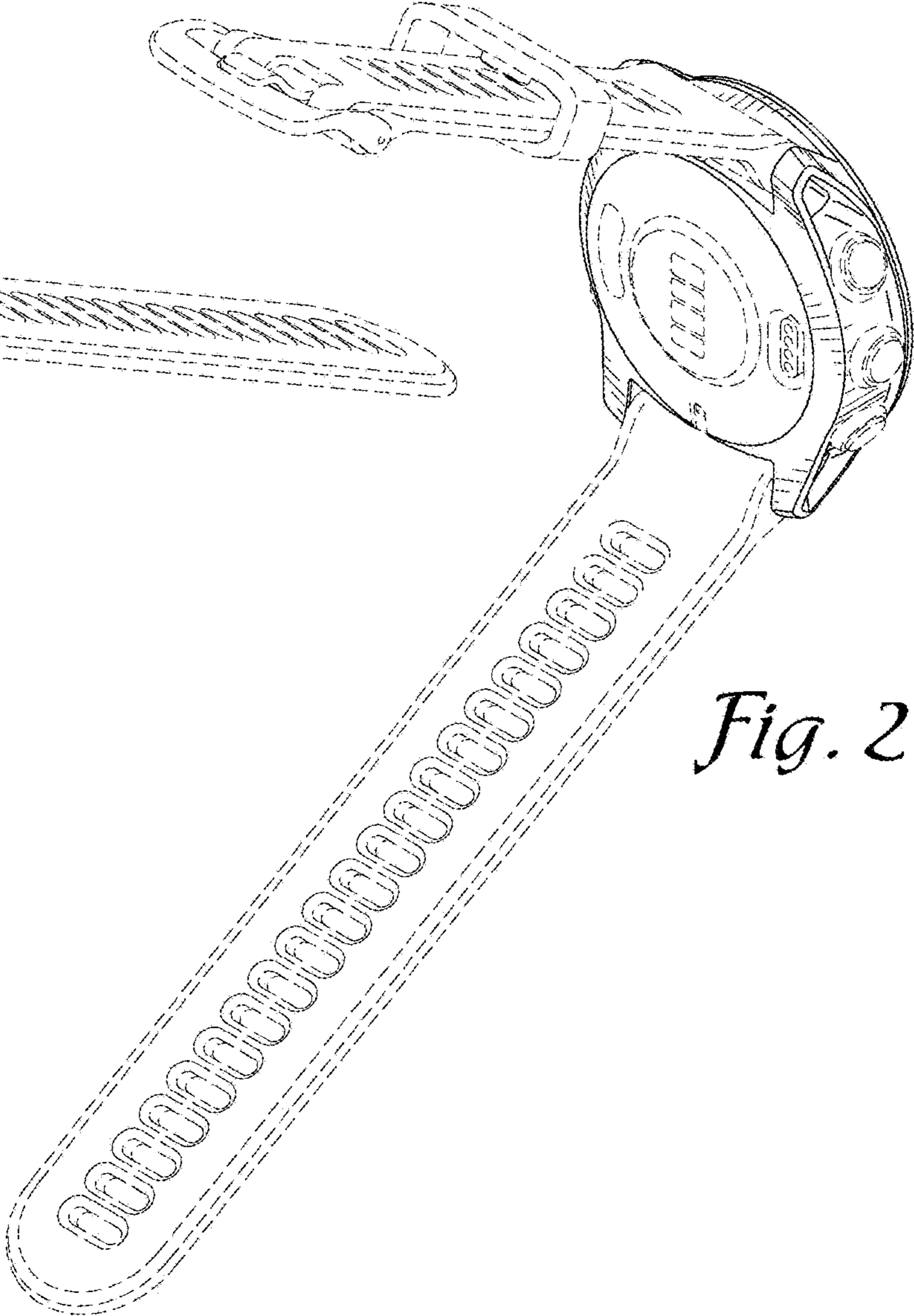


Fig. 2

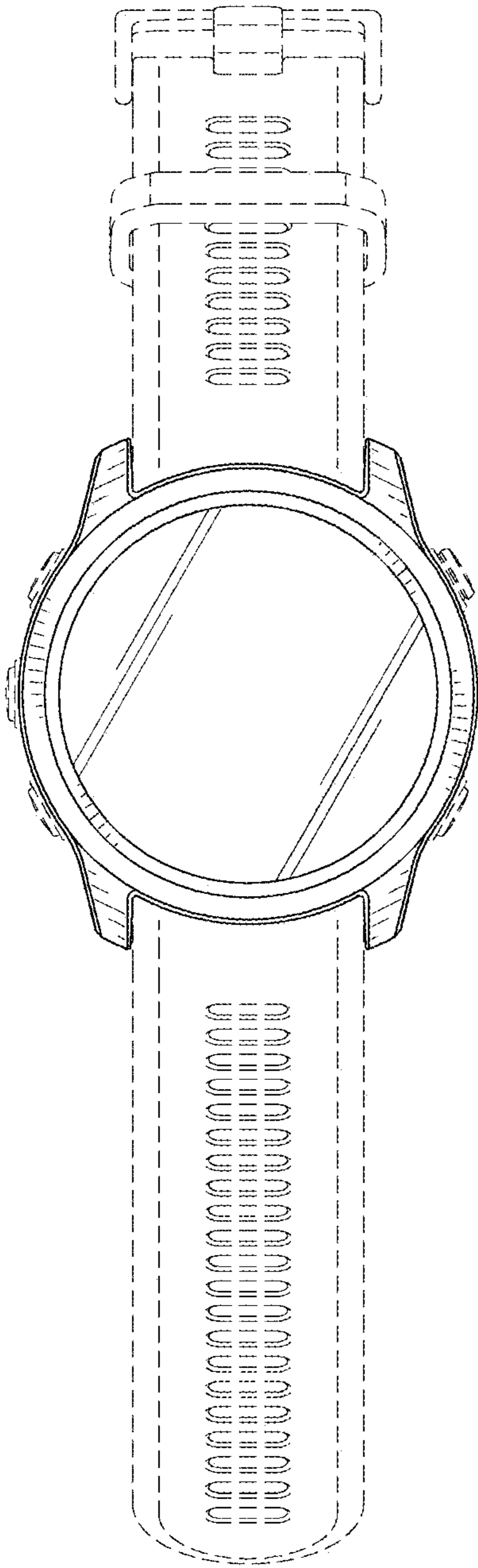


Fig. 3

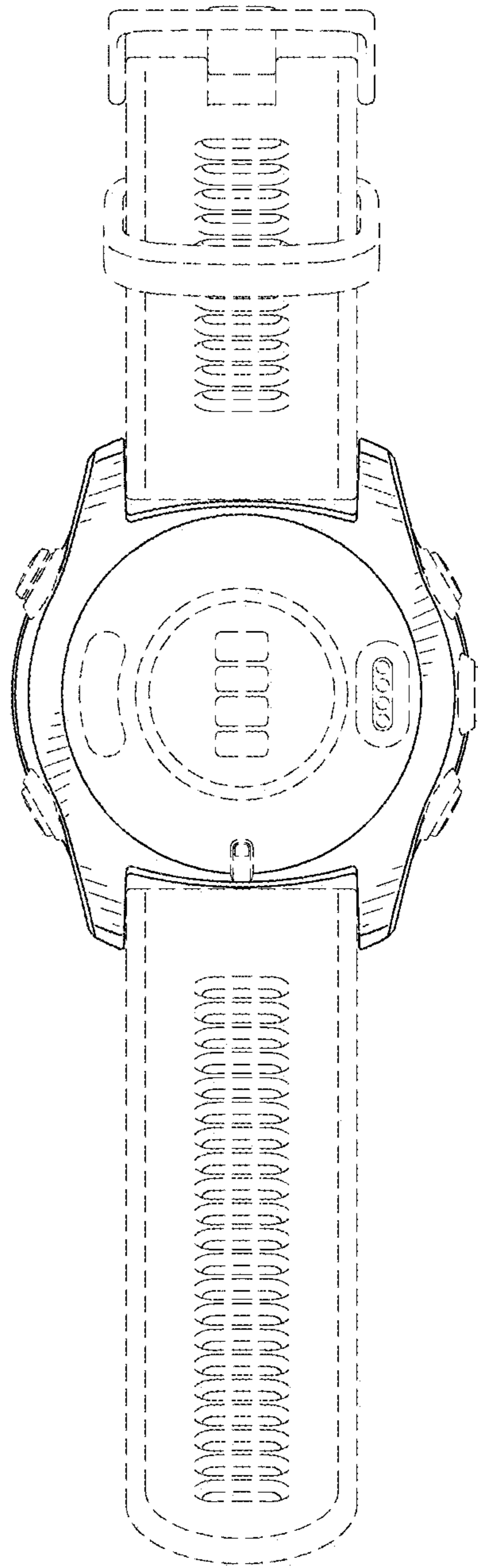
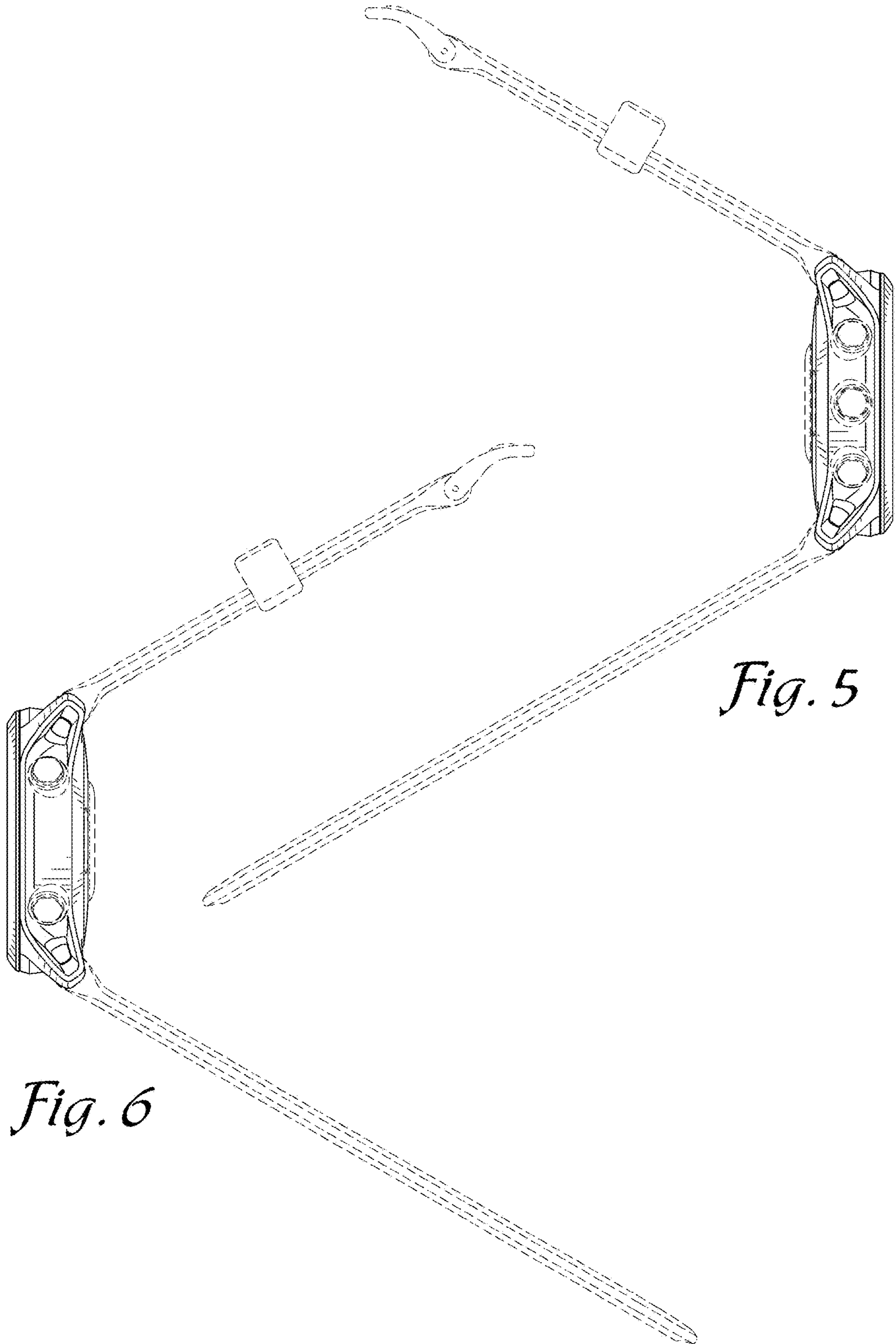


Fig. 4



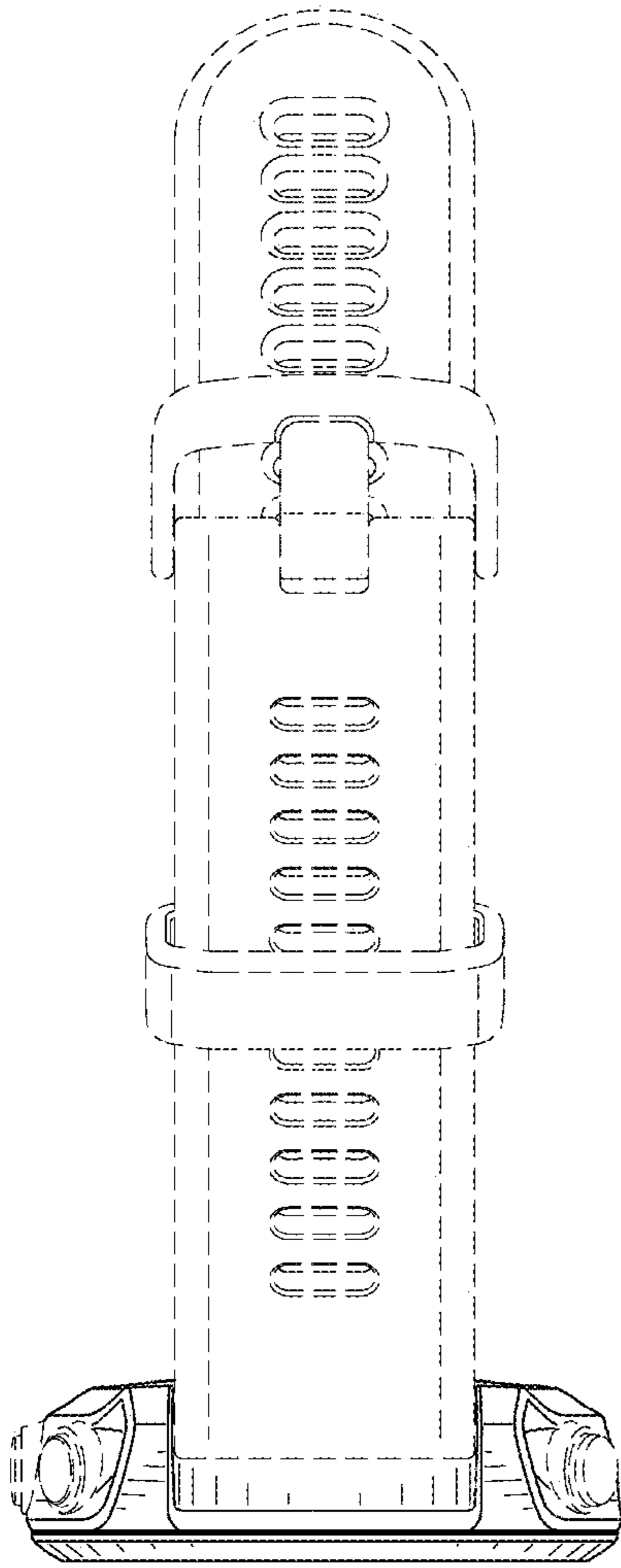


Fig. 7

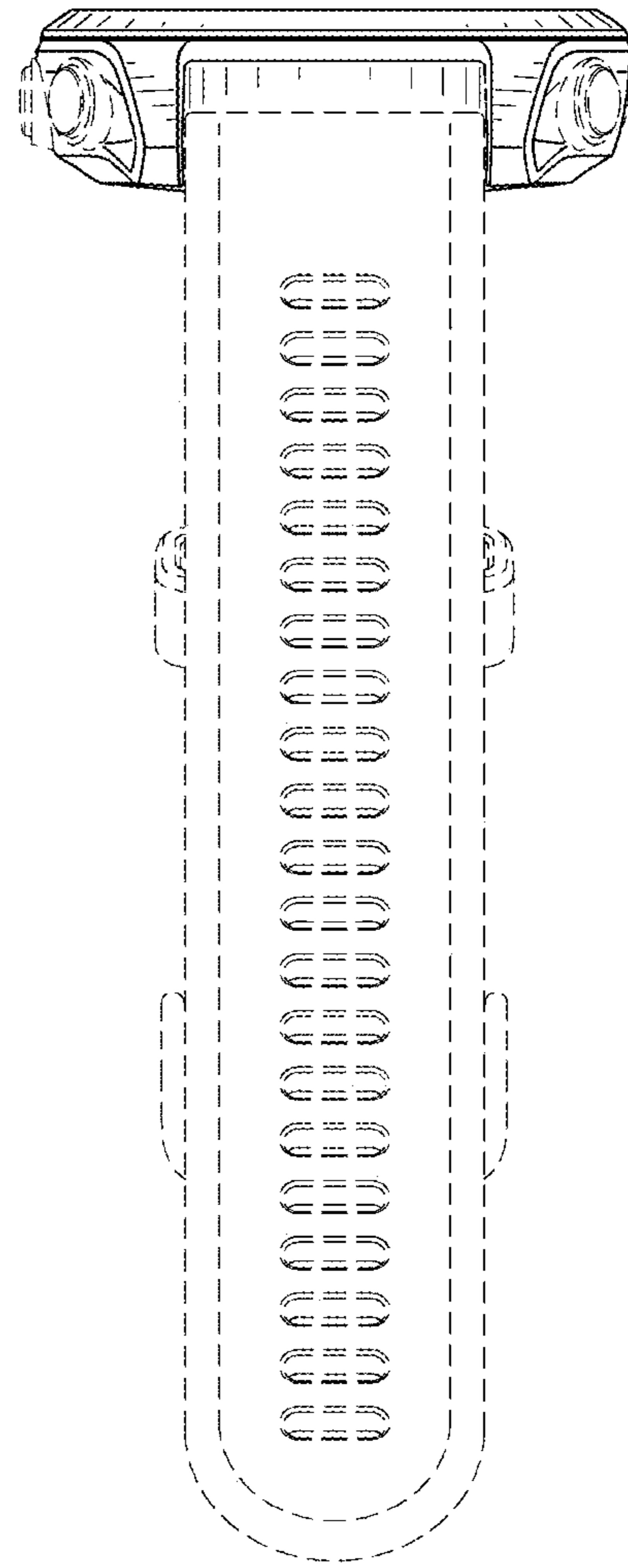


Fig. 8