



US00D927990S

(12) **United States Design Patent**
Hoffman

(10) **Patent No.:** **US D927,990 S**

(45) **Date of Patent:** **** Aug. 17, 2021**

(54) **ALUMINUM BEVERAGE CONTAINER**

(71) Applicant: **Ronald W. Hoffman**, Green Bay, WI
(US)

(72) Inventor: **Ronald W. Hoffman**, Green Bay, WI
(US)

(73) Assignee: **Ronald W. Hoffman**, Green Bay, WI
(US)

(**) Term: **15 Years**

(21) Appl. No.: **29/651,242**

(22) Filed: **Feb. 26, 2018**

(51) **LOC (13) Cl.** **09-01**

(52) **U.S. Cl.**
USPC **D9/767; D9/779**

(58) **Field of Classification Search**
USPC D9/500, 502, 516, 530, 537, 539, 542,
D9/549, 763-783

CPC B21D 51/26; B21D 51/383; B29C 66/71;
B65D 1/00; B65D 1/02; B65D 1/12;
B65D 1/14; B65D 1/40; B65D 1/44;
B65D 1/023; B65D 1/0223; B65D 1/165;
B65D 1/238; B65D 1/246; B65D 1/253;
B65D 7/04; B65D 21/0209; B65D
21/0233; B65D 25/00; B65D 25/28;
B65D 41/0457; B65D 41/17; B65D
53/06; B65D 75/56; B65D 79/005; B65D
2501/0036; B65D 2543/00064; B65D
2543/00074; B65D 2543/00083; B65D
2543/00092; B65D 2543/00101; B65D
2543/00111; Y10T 29/49826

See application file for complete search history.

(56) **References Cited**

U.S. PATENT DOCUMENTS

D3,376 S * 2/1869 Pratt D9/782
2,641,374 A * 6/1953 Der Yuen B65D 21/0231
215/10

D254,714 S * 4/1980 Mascia D9/767
D304,686 S * 11/1989 Jarrin D9/782
D333,978 S * 3/1993 Zutler D9/566
D364,815 S * 12/1995 Wallace D9/782
D422,917 S * 4/2000 Van Herrewegen D9/782
D424,445 S * 5/2000 Papp D9/560
D432,015 S * 10/2000 Holiday D9/438
D437,233 S * 2/2001 Gibert D9/556
D447,944 S * 9/2001 Justice D21/499
D523,343 S * 6/2006 Castner D9/518
D533,068 S * 12/2006 Haley D9/538

(Continued)

OTHER PUBLICATIONS

Renderosity.com; Moebius87; "Dystopian Square Soda"; [online]
'https://www.renderosity.com/mod/gallery/dystopian-square-soda/
1832454/?p'; dated Feb. 14, 2009; accessed Dec. 23, 2019; 6p.
(Year: 2009).*

(Continued)

Primary Examiner — Keli L Hill

(57) **CLAIM**

The ornamental design for an aluminum beverage container,
as shown and described.

DESCRIPTION

FIG. 1 is a front view of an aluminum beverage container,
showing my new design, the rear, left and right sides being
identical thereto;

FIG. 2 is a top plan view thereof;

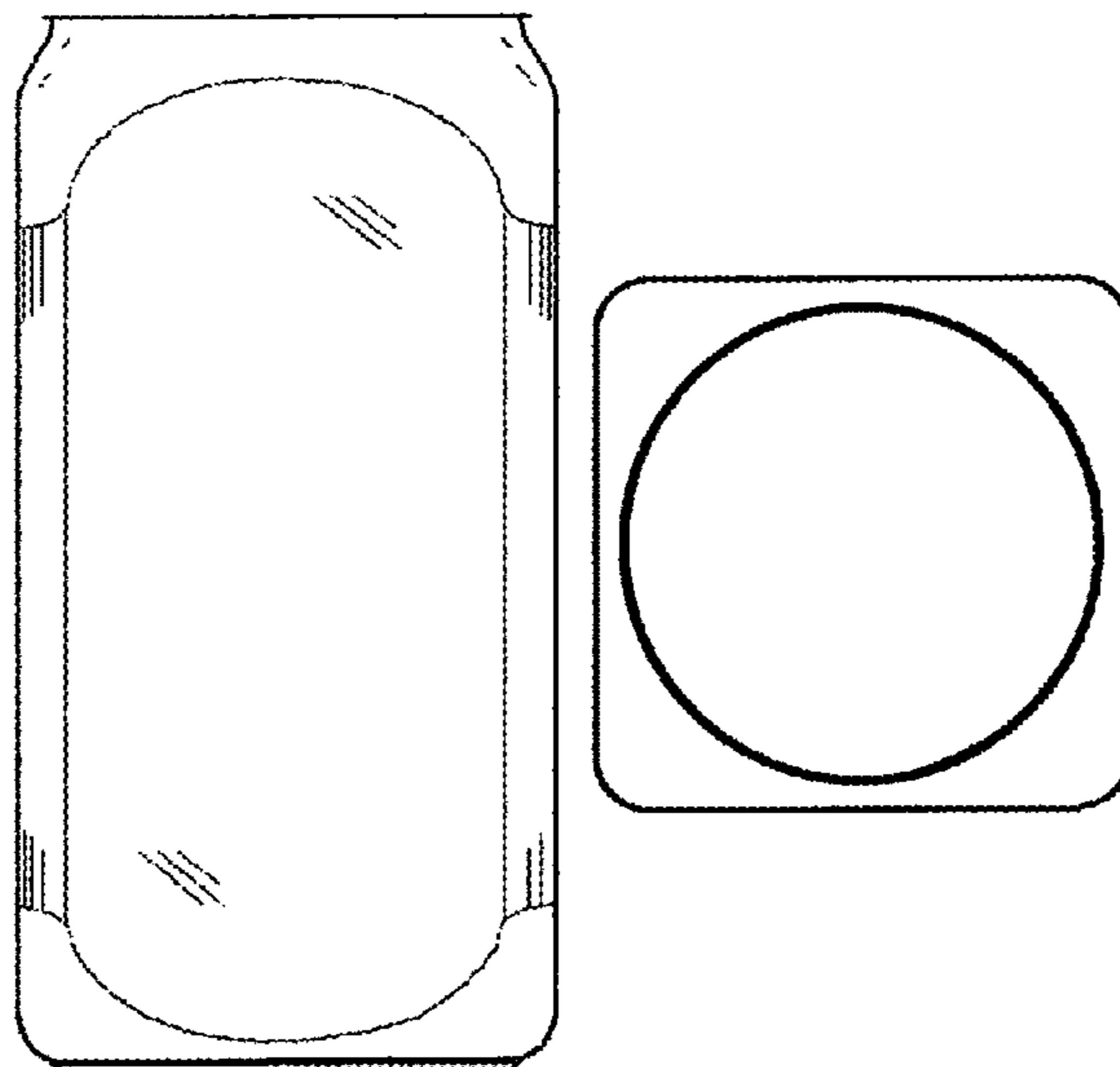
FIG. 3 is a bottom plan view thereof;

FIG. 4 is a 45 degree view showing the rounded corners and
tapering of the sides to the top and bottom of the container
thereof;

FIG. 5 is a partial perspective view showing the top contour
of the container thereof; and,

FIG. 6 is a partial perspective view showing the bottom
depth/contour of the interior surface of the container thereof.

1 Claim, 3 Drawing Sheets



(56)

References Cited

U.S. PATENT DOCUMENTS

D558,583	S	*	1/2008	Langbein	D9/560
D573,476	S	*	7/2008	Hopkins	D9/537
D630,518	S	*	1/2011	Biesecker	D9/558
D637,495	S	*	5/2011	Gill	D9/538
D671,843	S	*	12/2012	Plosky	D9/773
D682,088	S	*	5/2013	de Urquijo Carmona	D9/428
D720,238	S	*	12/2014	Miller, Jr.	B65D 21/0231 D9/782
D746,701	S	*	1/2016	Pape	D9/772
D811,232	S	*	2/2018	Gottlieb	D9/563

OTHER PUBLICATIONS

SimonsIdea.com; "Square Can to help save environment"; [online] 'www.simonsidea.blogspot.com/2013/04/square-can-to-help-save-environment-if.html'; dated Apr. 12, 2013; accessed Sep. 28, 2020; 1p. (Year: 2013).*

* cited by examiner

FIG.1

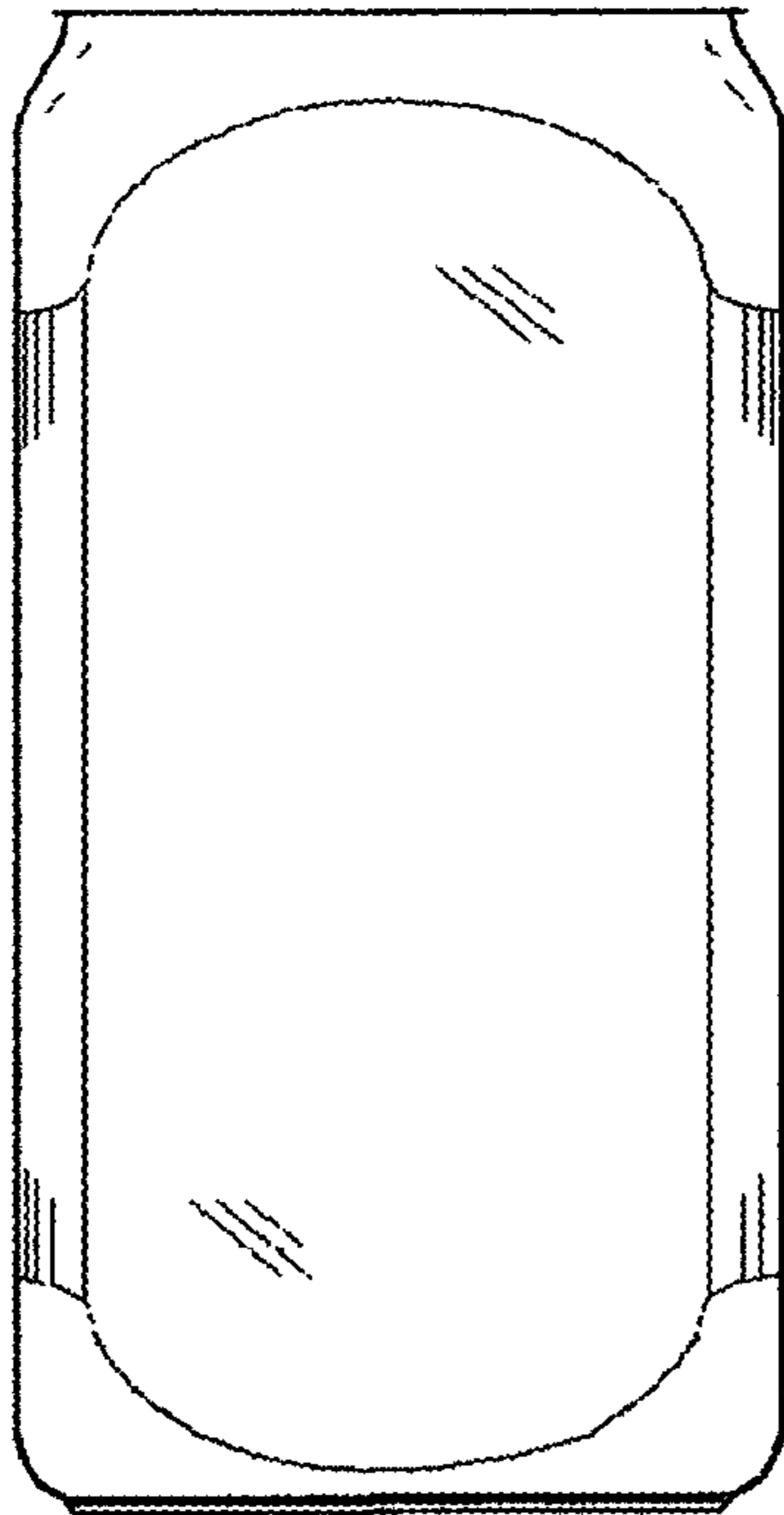


FIG.2

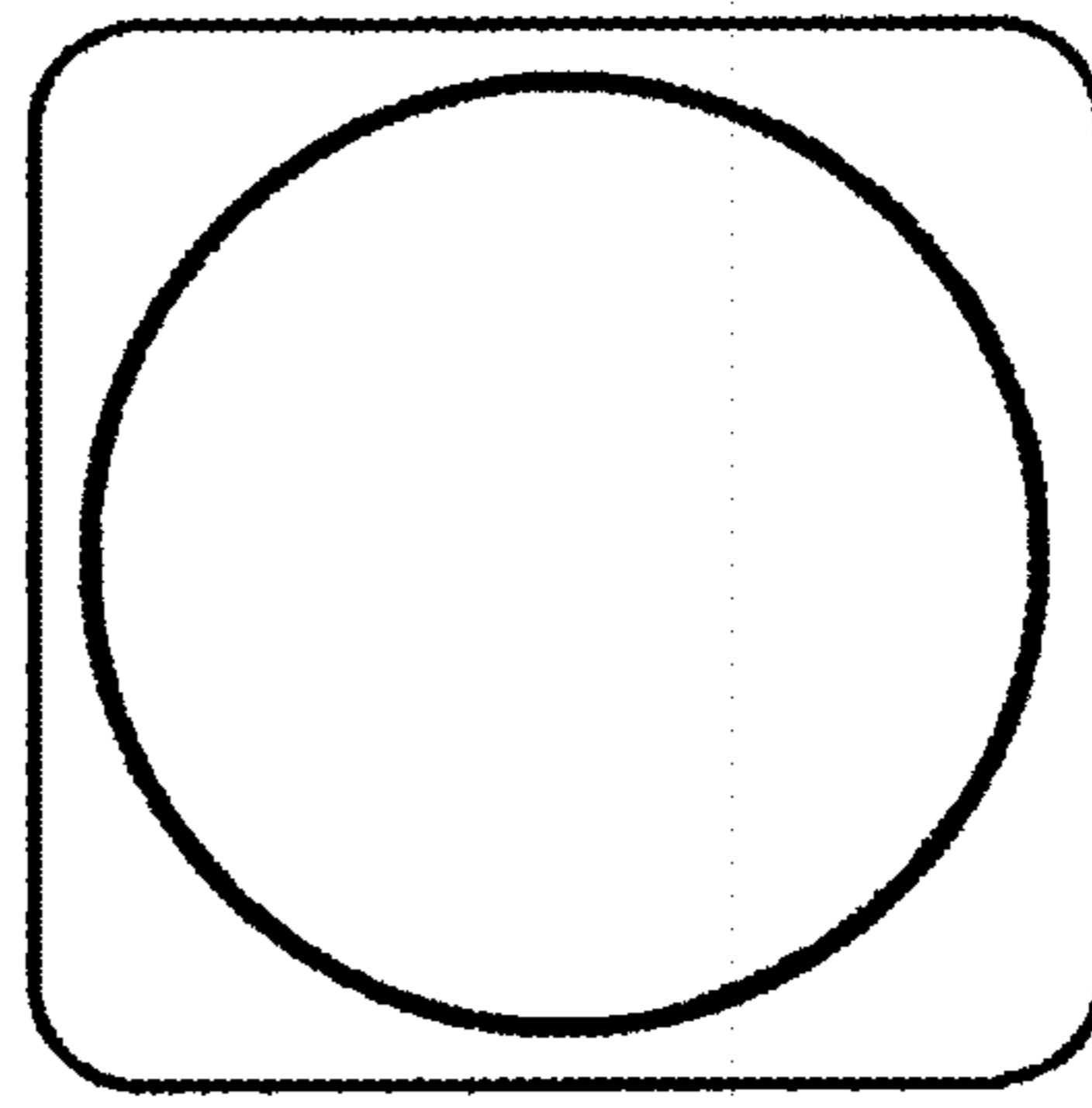


FIG.3

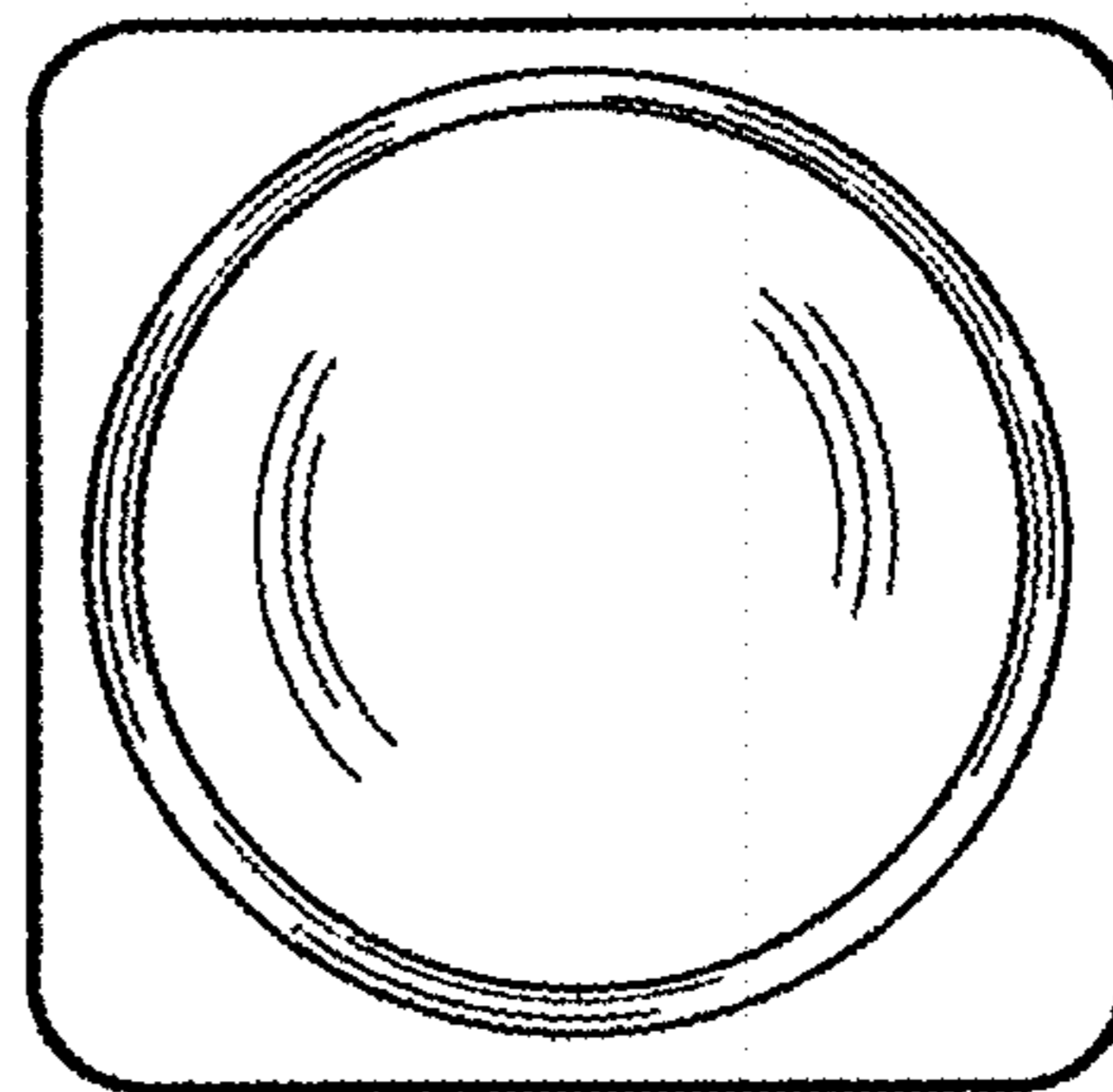


FIG.4

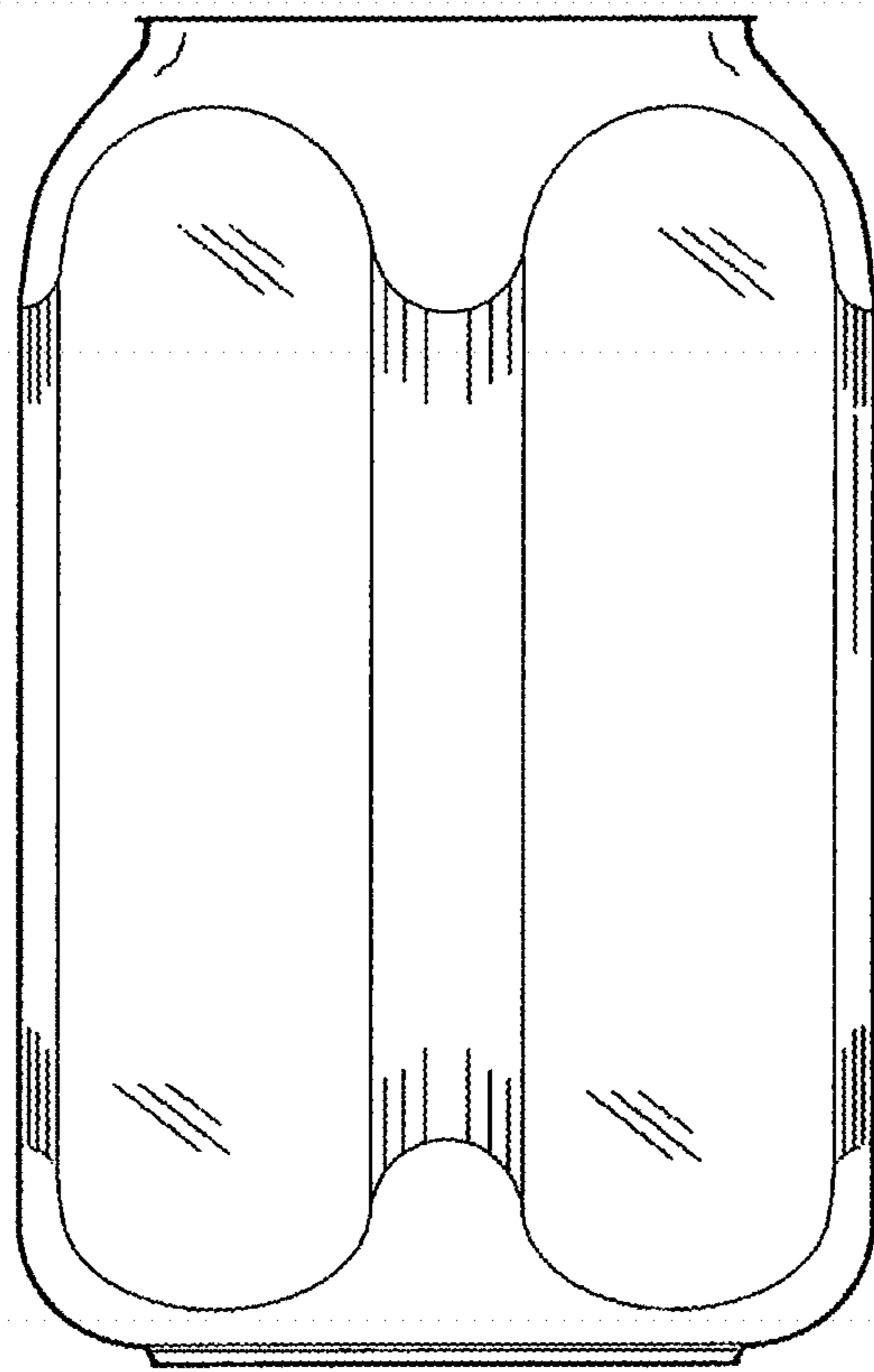


FIG. 5

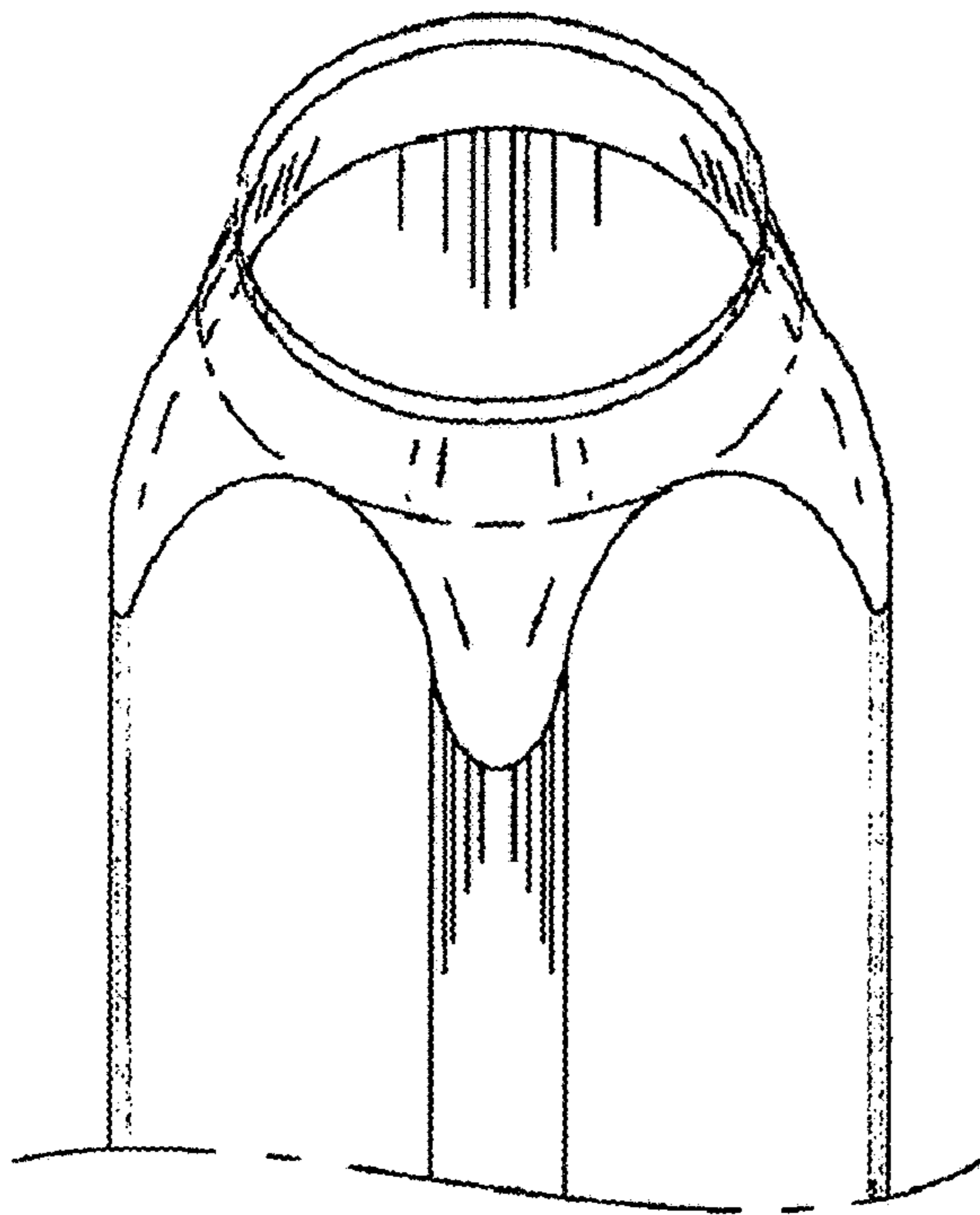


FIG. 6

