



US00D927986S

(12) **United States Design Patent** (10) **Patent No.:** **US D927,986 S**
Ryczek et al. (45) **Date of Patent:** **** Aug. 17, 2021**

(54) **POP TOP CASE** 83/0005; B65D 83/005; B65D 83/00;
 B65D 47/18; B05C 17/0053

(71) Applicant: **Nuee Innovation**, La Verne, CA (US) See application file for complete search history.

(72) Inventors: **William F Ryczek**, Pomona, CA (US);
Aaron Ryczek, La Verne, CA (US) (56)

References Cited

U.S. PATENT DOCUMENTS

2,876,775 A *	3/1959	Barr, Sr.	A61B 5/15003 600/577
D862,246 S *	10/2019	Basak-Smith	D9/711
D878,928 S *	3/2020	Rawls	D9/711
D899,268 S *	10/2020	Hwang	D9/711

(73) Assignee: **Nuee Innovation, LLC**, La Verne, CA
 (US)

(**) Term: **15 Years**

(21) Appl. No.: **29/718,813**

* cited by examiner

(22) Filed: **Dec. 30, 2019**

Primary Examiner — Abraham Bahta

(51) **LOC (13) Cl.** **09-05**

(74) *Attorney, Agent, or Firm* — Eric Karich; Karich &
 Associates

(52) **U.S. Cl.**
 USPC **D9/711**

(57) **CLAIM**

(58) **Field of Classification Search**

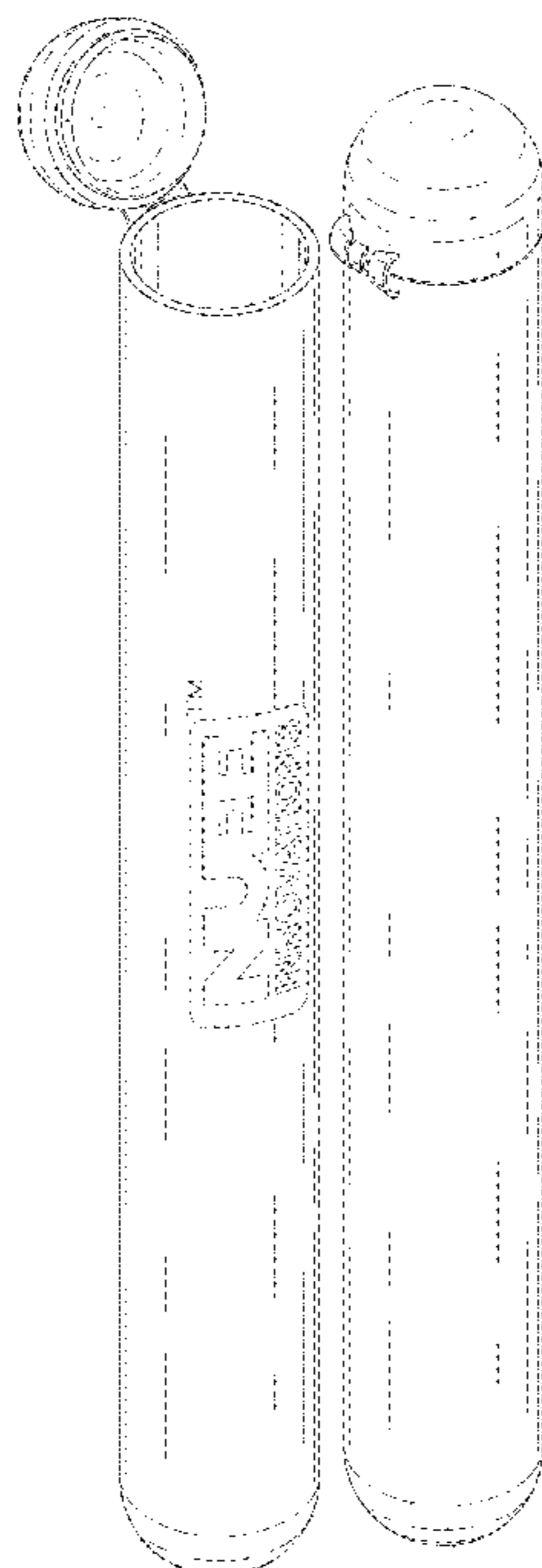
The ornamental design for a pop top case, as shown and
 described.

USPC D9/702–714, 695–699, 435, 440, 521,
 D9/454, 544, 723–724, 499, 449,
 D9/727–728, 442, 447, 504; 222/92, 96,
 222/107, 527–529, 215, 491, 206,
 222/212–213, 251, 95, 536; 206/438,
 206/822, 527; 220/DIG. 7, 669;
 215/321, 382, 316, 380, 228;
 141/114–115; D28/91.1, 76–78, 82, 88;
 D24/114; D3/202, 205, 203.2, 270,
 D3/271.1–271.4; D7/510, 514–520, 599,
 D7/601–602, 612–615, 619.2, 628–629,
 D7/213
 CPC .. B65D 2203/00; B65D 2203/02; B65D 5/00;
 B65D 5/001; B65D 5/4258; B65D
 1/0223; B65D 1/02; B65D 1/10; B65D
 1/46; B65D 23/00; B65D 2585/00; B65D
 81/60; B65D 81/365; B65D 81/366;
 B65D 81/368; B65D 50/046; B65D

DESCRIPTION

FIG. 1 is a perspective view of a pop top case, in an open
 configuration, showing my new design;
 FIG. 2 is a perspective view of the pop top case, in a closed
 configuration;
 FIG. 3 is a front elevational view thereof;
 FIG. 4 is a rear elevational view thereof;
 FIG. 5 is a left side elevational view thereof
 FIG. 6 is a right side elevational view thereof;
 FIG. 7 is a top plan view thereof; and,
 FIG. 8 is a bottom plan view thereof.
 The broken lines shown in the drawings form no part of the
 claimed design.

1 Claim, 3 Drawing Sheets



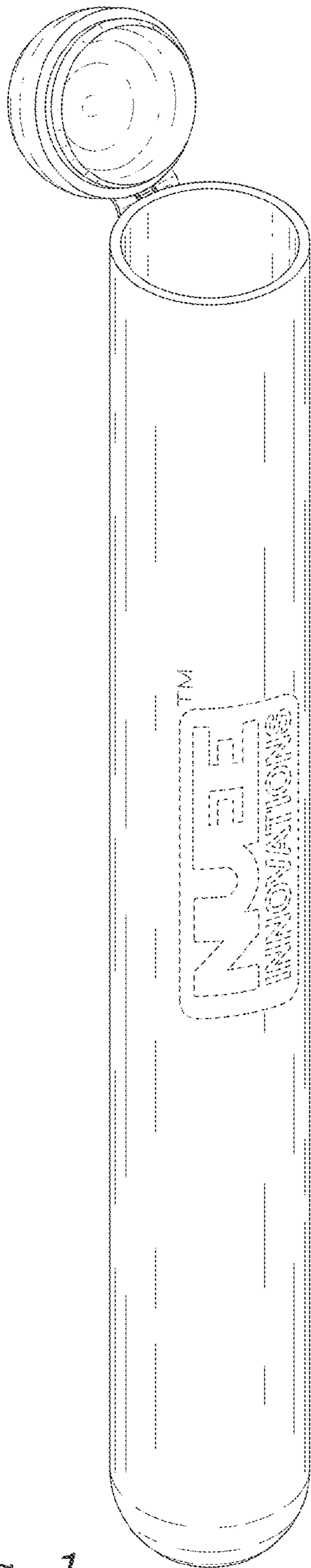


Fig. 1

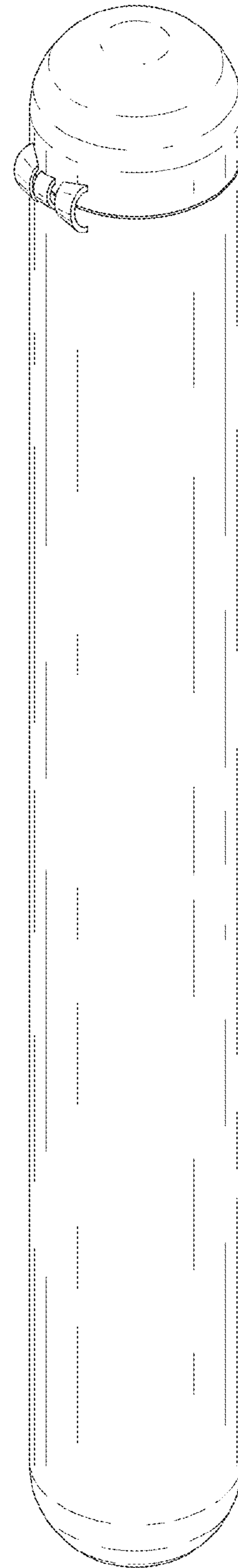


Fig. 2

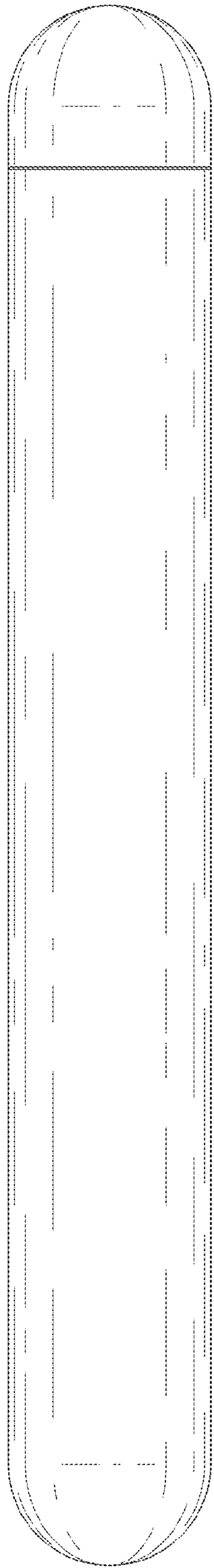


Fig. 3

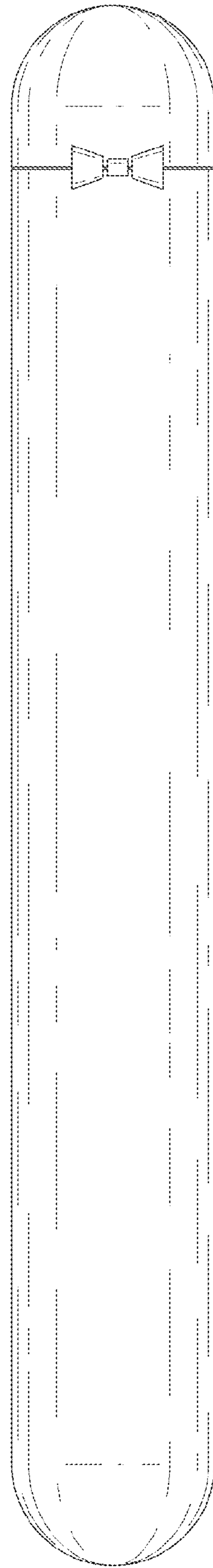


Fig. 4

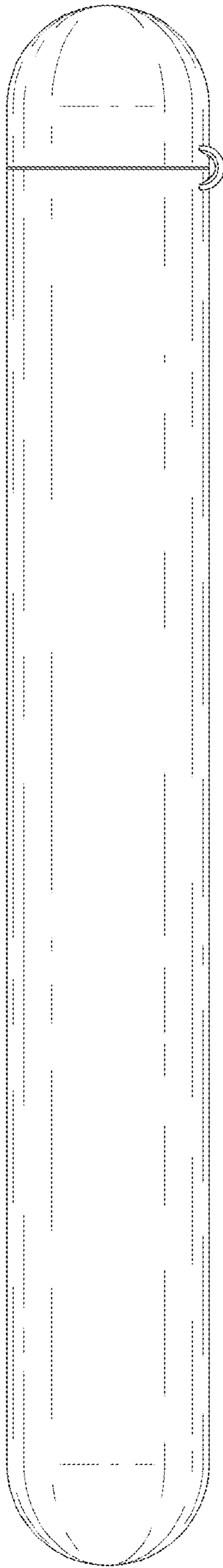


Fig. 5

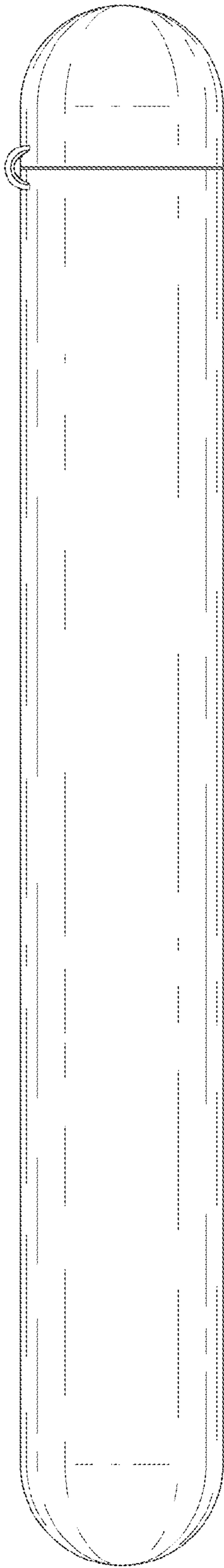


Fig. 6

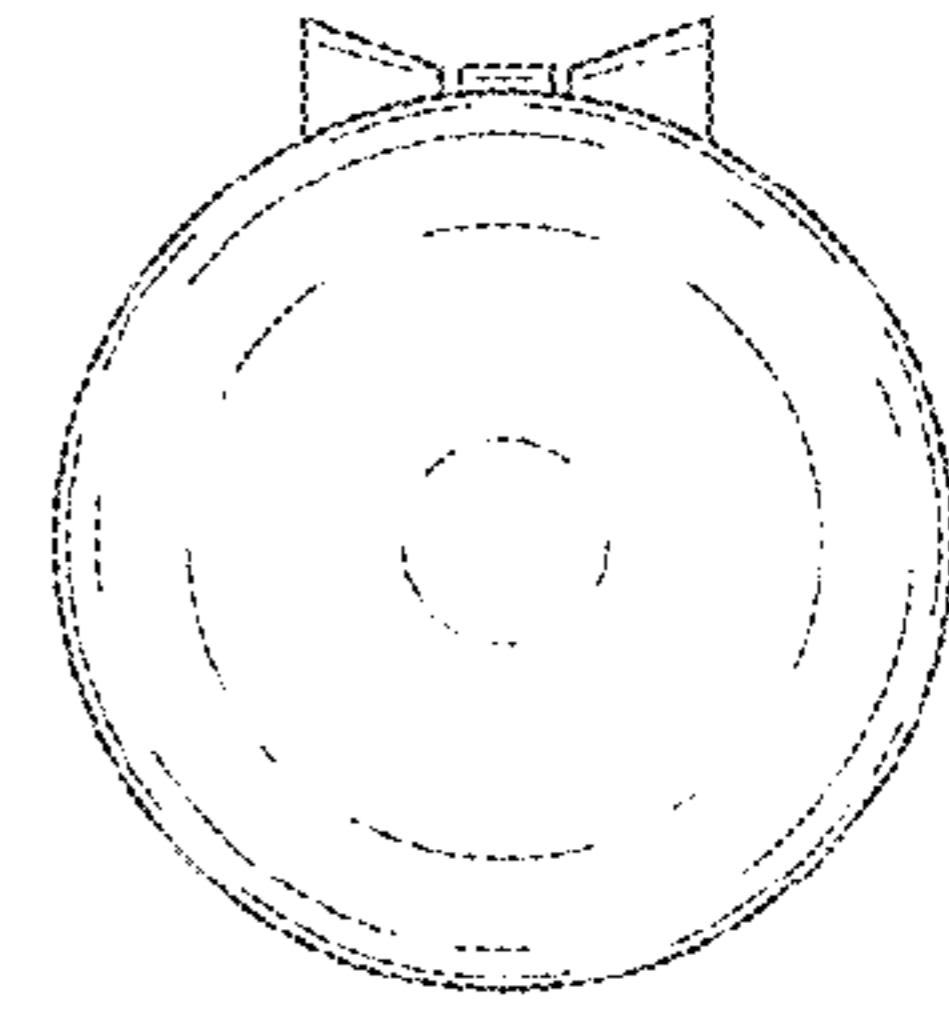


Fig. 7

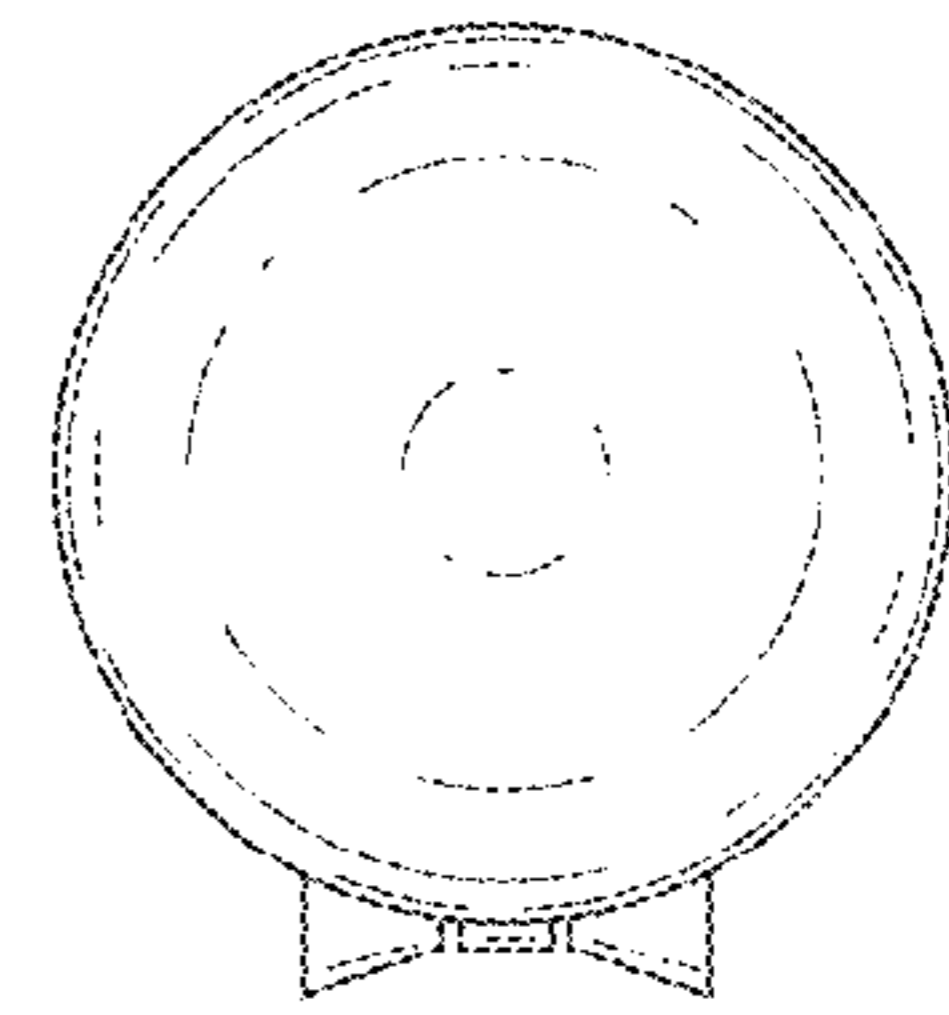


Fig. 8