



US00D927984S

(12) **United States Design Patent** (10) **Patent No.:** **US D927,984 S**
Galvez (45) **Date of Patent:** **** Aug. 17, 2021**

(54) **PERFUME BOTTLE**
(71) Applicant: **Carolina Herrera Ltd**, New York, NY (US)
(72) Inventor: **Jean-Marc Galvez**, Paris (FR)
(73) Assignee: **CAROLINA HERRERA LTD**, New York, NY (US)

D457,055 S * 5/2002 Ranchetti D9/557
D504,618 S * 5/2005 Bretz D9/538
D511,966 S * 11/2005 Bretz D9/434
D511,972 S * 11/2005 Bretz D9/551
D513,191 S * 12/2005 Bretz D9/537
D513,994 S * 1/2006 Bretz D9/434
D514,449 S * 2/2006 Bretz D9/551
D517,924 S * 3/2006 Bretz D9/434
D520,574 S * 5/2006 Bretz D21/434
D864,740 S * 10/2019 Franco D9/649

(**) Term: **15 Years**
(21) Appl. No.: **35/508,235**
(22) Filed: **Aug. 8, 2019**
(80) **Hague Agreement Data**
Int. Filing Date: **Aug. 8, 2019**
Int. Reg. No.: **DM/204945**
Int. Reg. Date: **Aug. 8, 2019**
Int. Reg. Pub. Date: **Dec. 27, 2019**

(30) **Foreign Application Priority Data**
Mar. 8, 2019 (EM) 006294658-0001
(51) **LOC (13) Cl.** **09-01**
(52) **U.S. Cl.**
USPC **D9/600**
(58) **Field of Classification Search**
USPC D9/553, 555, 566, 568, 571, 600, 649, D9/653, 667, 669
CPC . B65D 3/02; B65D 1/0223; B65D 2501/0081
See application file for complete search history.

(56) **References Cited**
U.S. PATENT DOCUMENTS
D433,322 S * 11/2000 Krishnakumar D9/538
D437,774 S * 2/2001 Piccioli D9/667
D446,112 S * 8/2001 Bretz D9/516
D446,446 S * 8/2001 Bretz D9/667
D456,704 S * 5/2002 Ranchetti D9/557

OTHER PUBLICATIONS

Esquire. Carolina Herrera launches new Bad Boy fragrance for men. Aug. 29, 2019. <https://www.esquireme.com/content/38387-carolina-herrera-launches-new-bad-boy-fragrance-for-men> (Year: 2019).*
Fragrantica. Carolina Herrera Bad Boy. Jun. 7, 2019. <https://www.fragrantica.com/news/Carolina-Herrera-Bad-Boy-12363.html> (Year: 2019).*

* cited by examiner

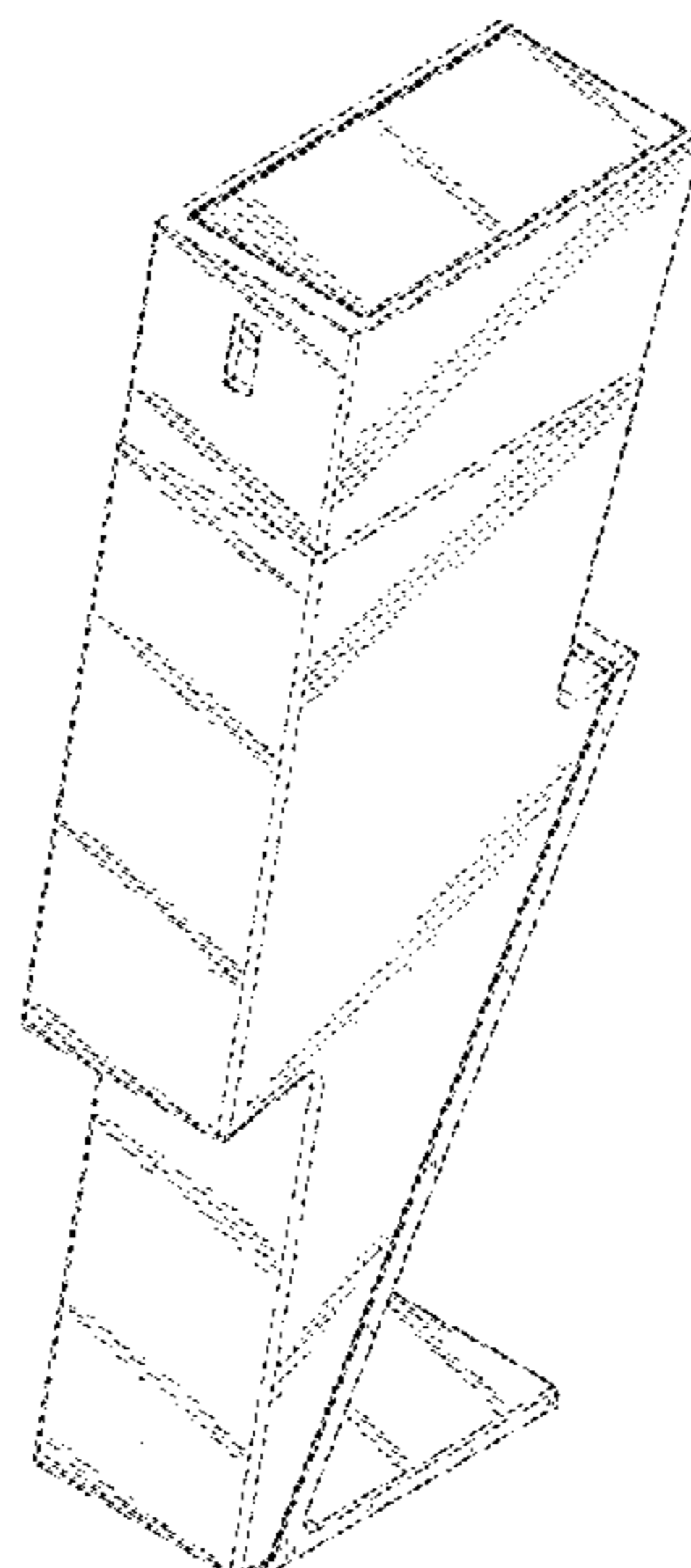
Primary Examiner — Darcey E Gottschalk
(74) *Attorney, Agent, or Firm* — Porzio Bromberg & Newman P.C.

(57) **CLAIM**
The ornamental design for a perfume bottle, as shown and described.

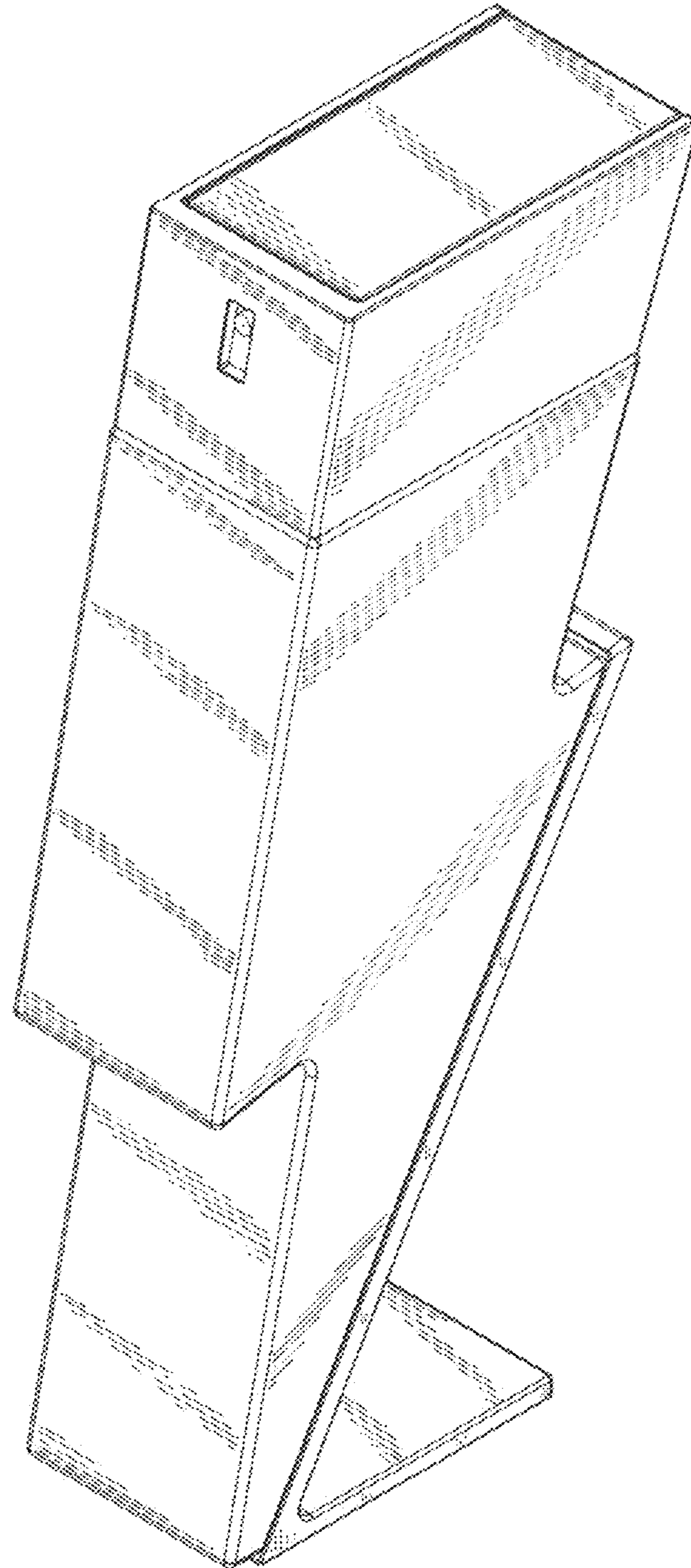
DESCRIPTION

1. Perfume bottle
1.1 : Perspective
1.2 : Perspective
1.3 : Front
1.4 : Right
1.5 : Back
1.6 : Left
1.7 : Top
1.8 : Bottom
The broken lines in the drawings illustrate portions of the perfume bottle and form no part of the claimed design.

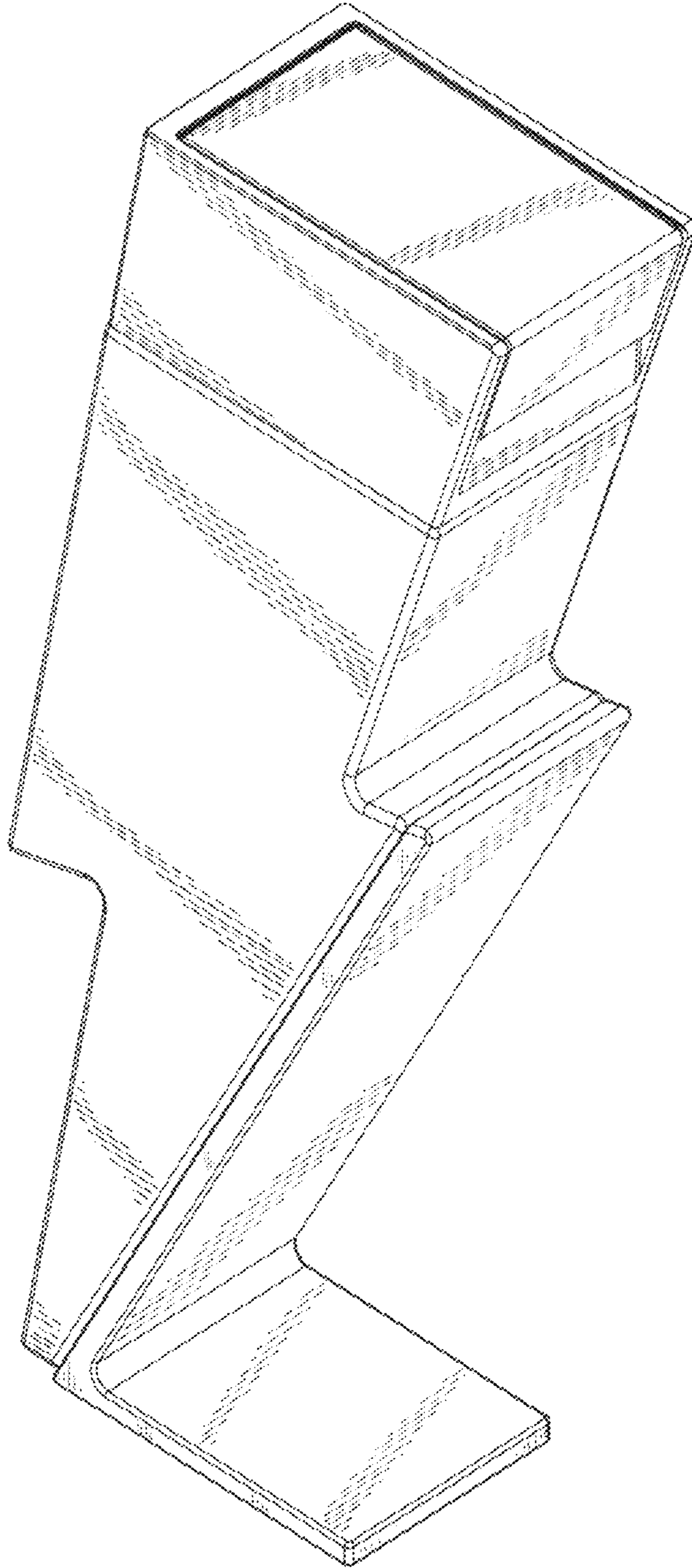
1 Claim, 8 Drawing Sheets



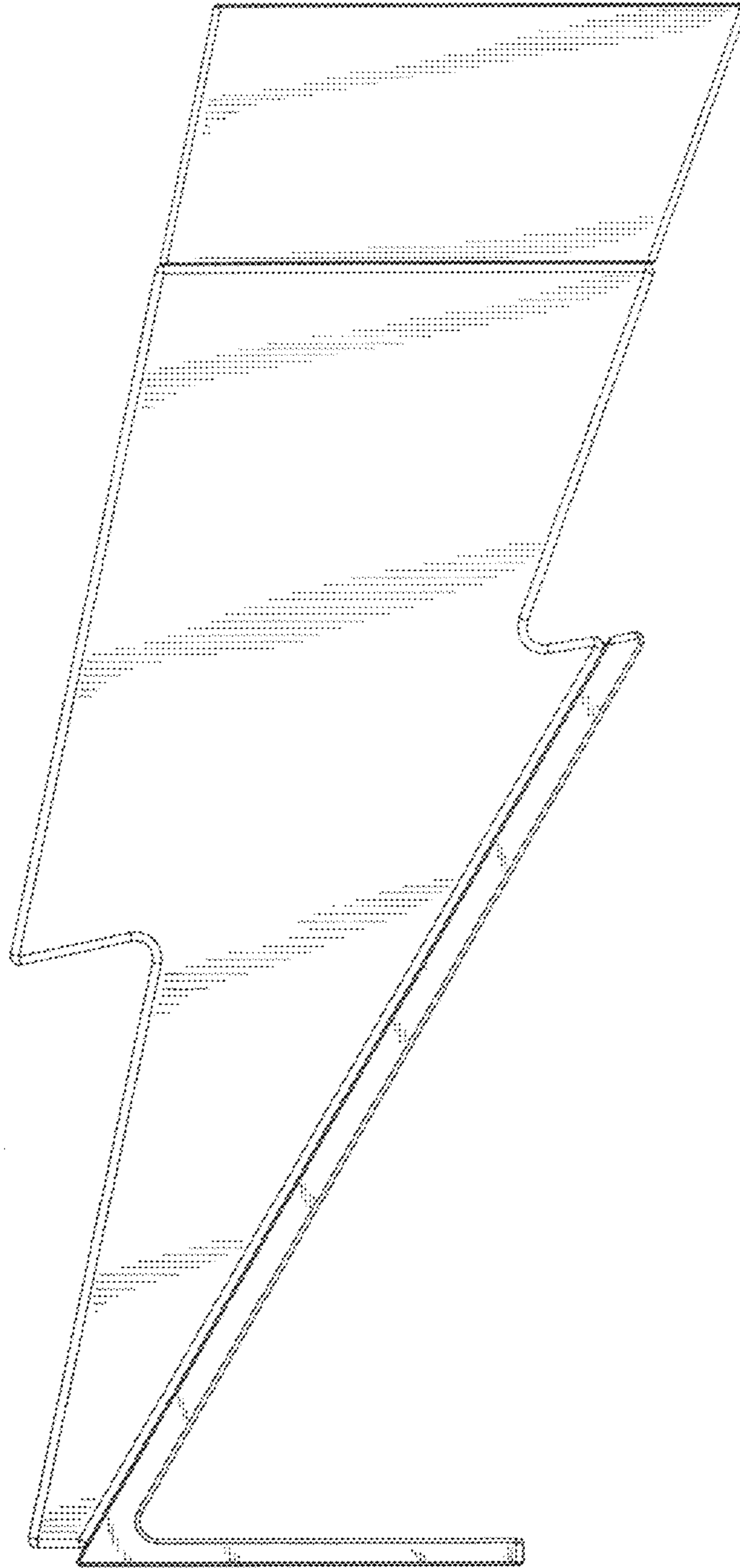
1.1



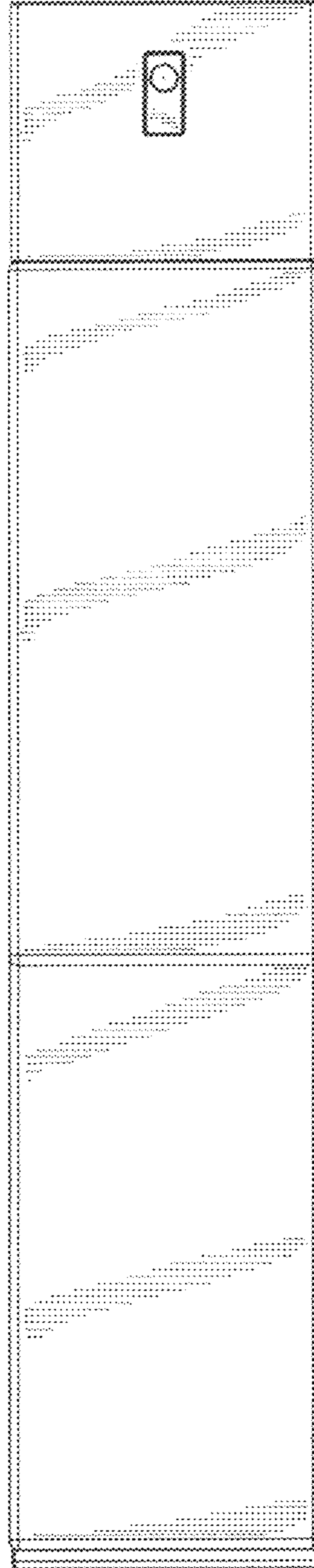
1.2



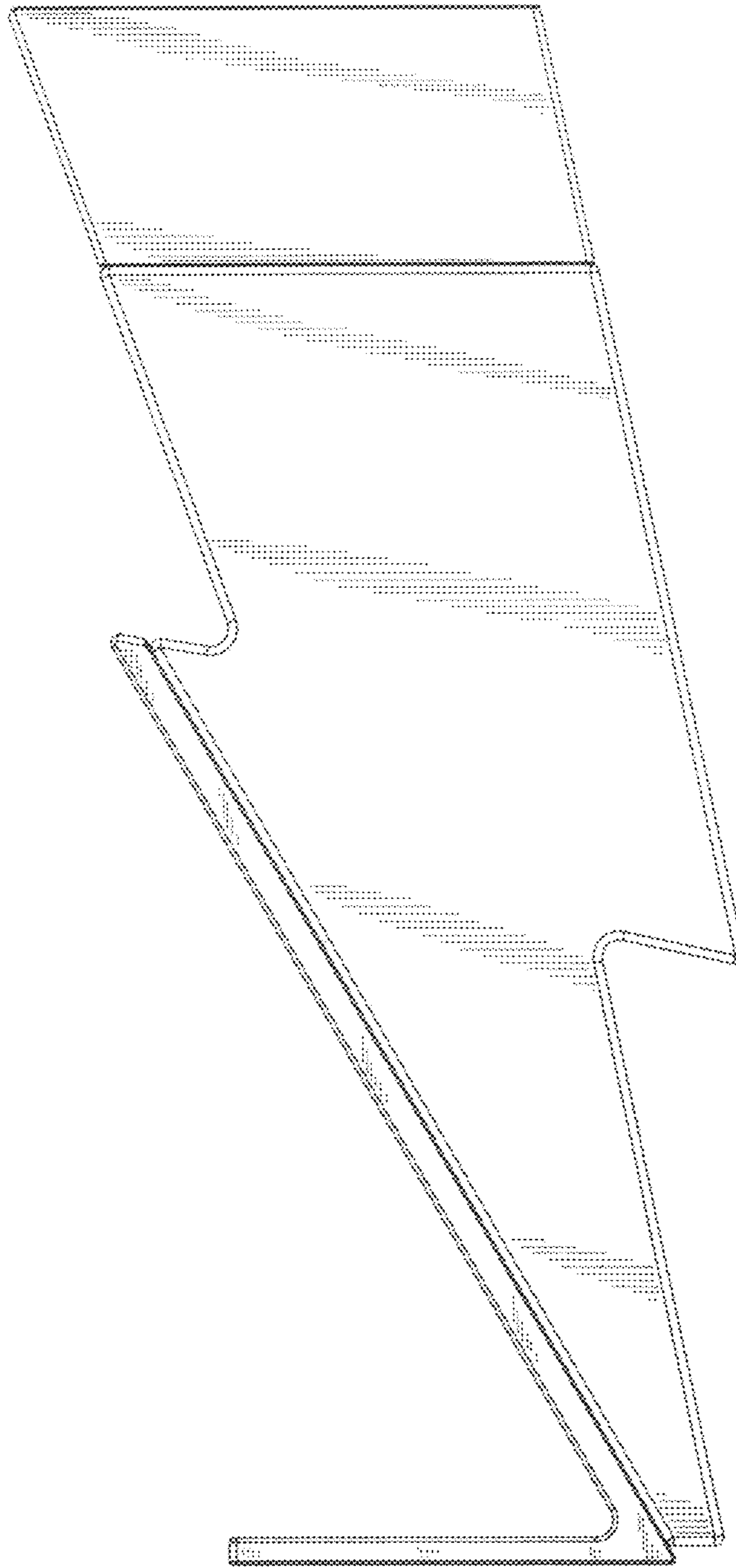
1.3



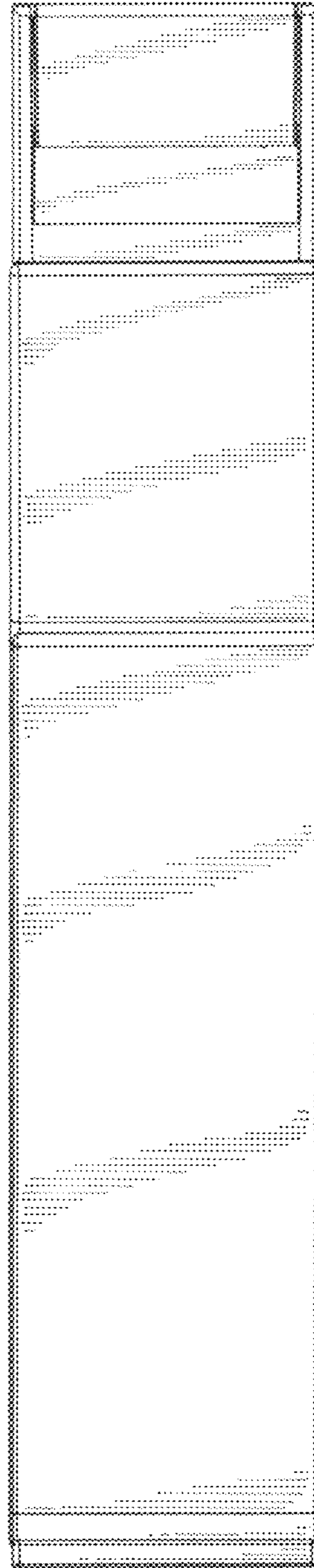
1.4



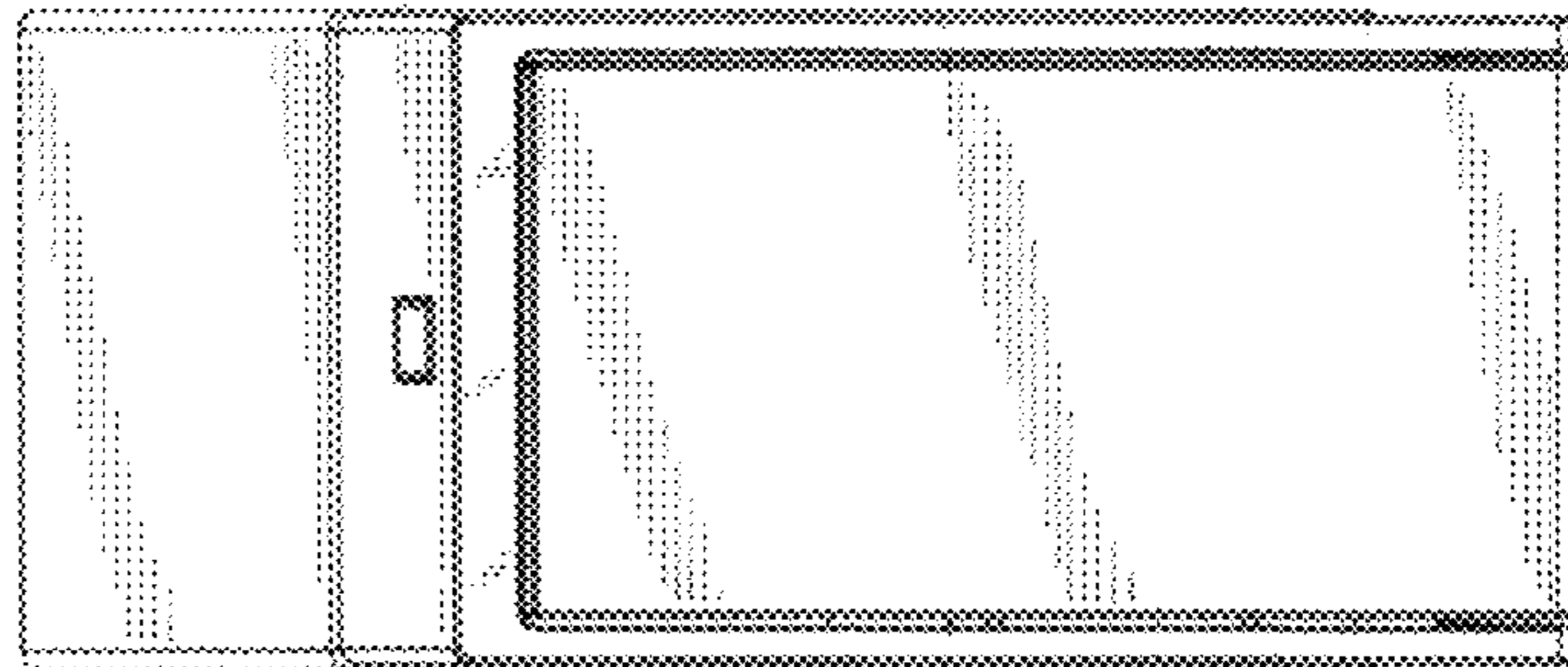
1.5



1.6



1.7



1.8

