



US00D927983S

(12) **United States Design Patent**
Blystone et al.

(10) **Patent No.:** **US D927,983 S**

(45) **Date of Patent:** **** Aug. 17, 2021**

(54) **CONTAINER**

(71) Applicant: **Discma AG**, Hünenberg (CH)

(72) Inventors: **Mark Blystone**, Saline, MI (US);
Jessica Brown, Saline, MI (US); **Corey Janes**, Saline, MI (US)

(73) Assignee: **DISCMA AG**, Hünenberg (CH)

(**) Term: **15 Years**

(21) Appl. No.: **29/691,251**

(22) Filed: **May 15, 2019**

(51) **LOC (13) Cl.** **09-01**

(52) **U.S. Cl.**

USPC **D9/557**; D9/520; D9/558; D9/575

(58) **Field of Classification Search**

USPC D9/502, 516, 520, 530, 537–543,

D9/549–550, 557–558, 575, 715, 719

CPC B65D 1/00; B65D 1/02; B65D 1/0223;

B65D 23/00; B65D 23/102; B65D

2501/00; B65D 2501/0009; B65D

2501/0018; B65D 2501/0036

See application file for complete search history.

(56) **References Cited**

U.S. PATENT DOCUMENTS

6,065,624 A * 5/2000 Steinke B65D 1/0276

215/373

D445,033 S * 7/2001 Bretz D9/520

D480,007 S * 9/2003 Mungur D9/538
D524,159 S * 7/2006 Mooney D9/516
D581,286 S * 11/2008 White D9/550
D873,668 S * 1/2020 Melkonian D9/531

* cited by examiner

Primary Examiner — Dana Meyrow

(74) *Attorney, Agent, or Firm* — Michael E. Dockins;
Shumaker, Loop & Kendrick, LLP

(57) **CLAIM**

The ornamental design for a container, as shown and described.

DESCRIPTION

FIG. 1 is a top perspective view of a container according to the present invention;

FIG. 2 is a bottom perspective view thereof;

FIG. 3 is a front elevation view thereof;

FIG. 4 is a rear elevation view thereof;

FIG. 5 is a top plan view thereof;

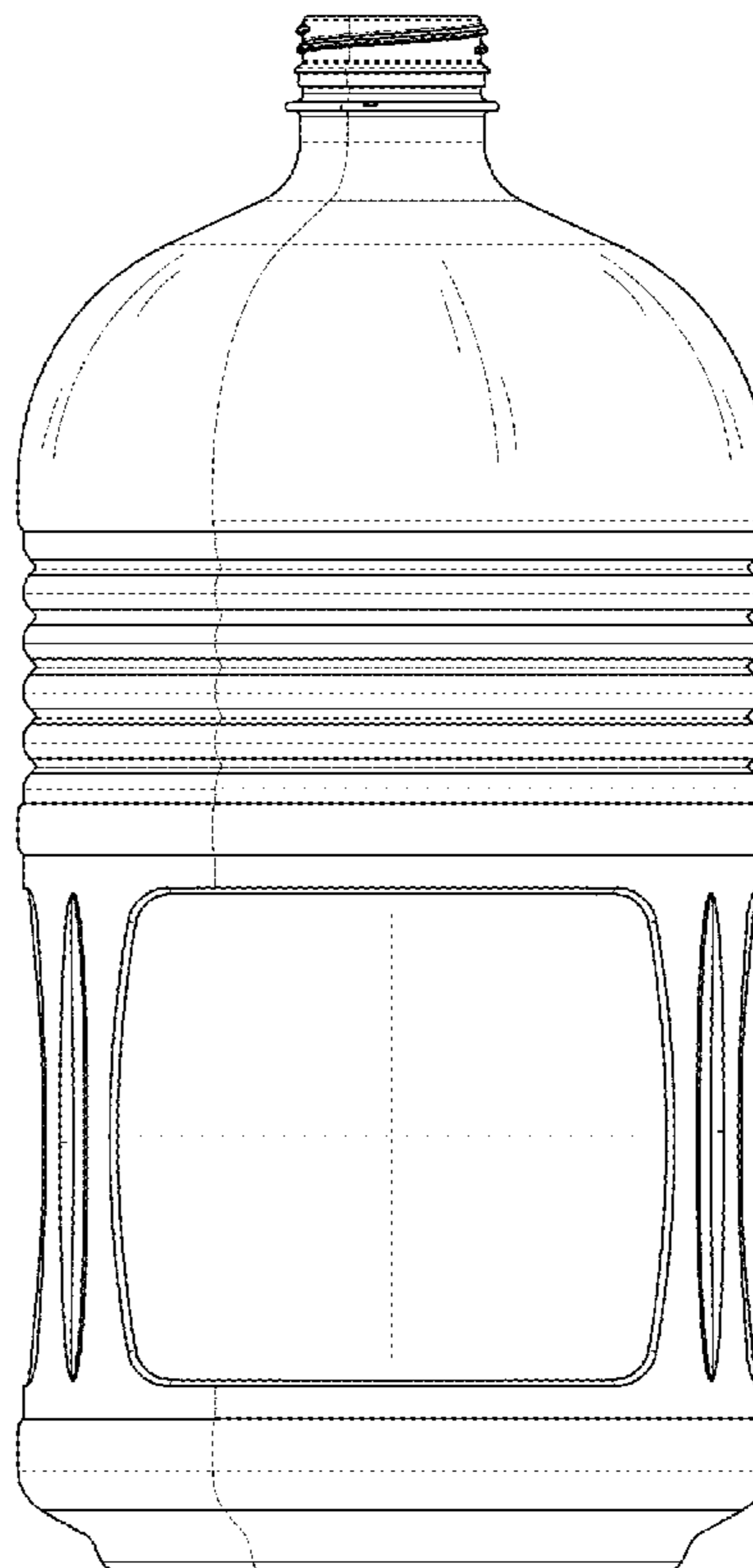
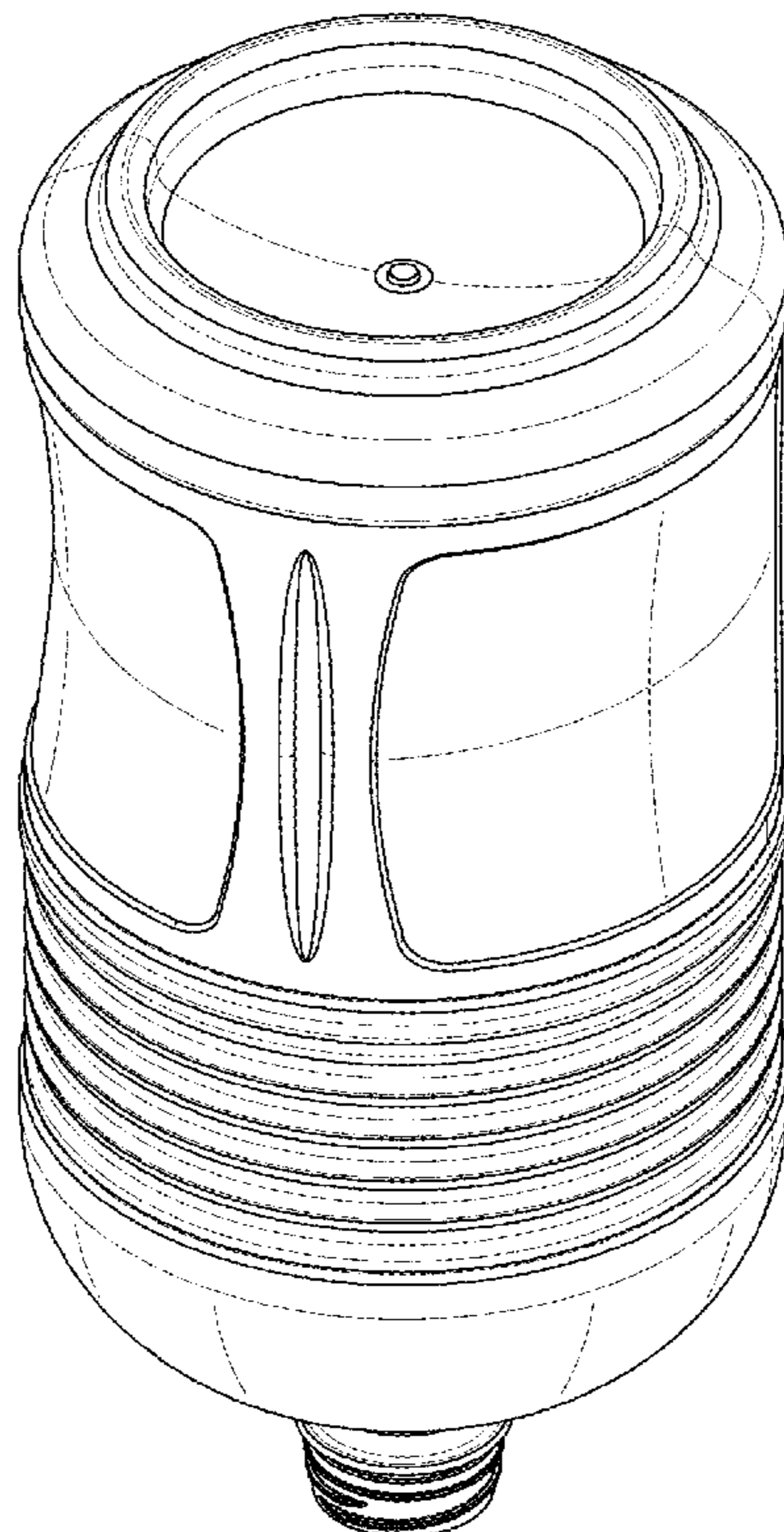
FIG. 6 is a bottom plan view thereof;

FIG. 7 is a right side elevation view thereof; and,

FIG. 8 is a left side elevation view thereof.

The broken lines in the drawings illustrate the portions of the container that form no part of the claim.

1 Claim, 5 Drawing Sheets



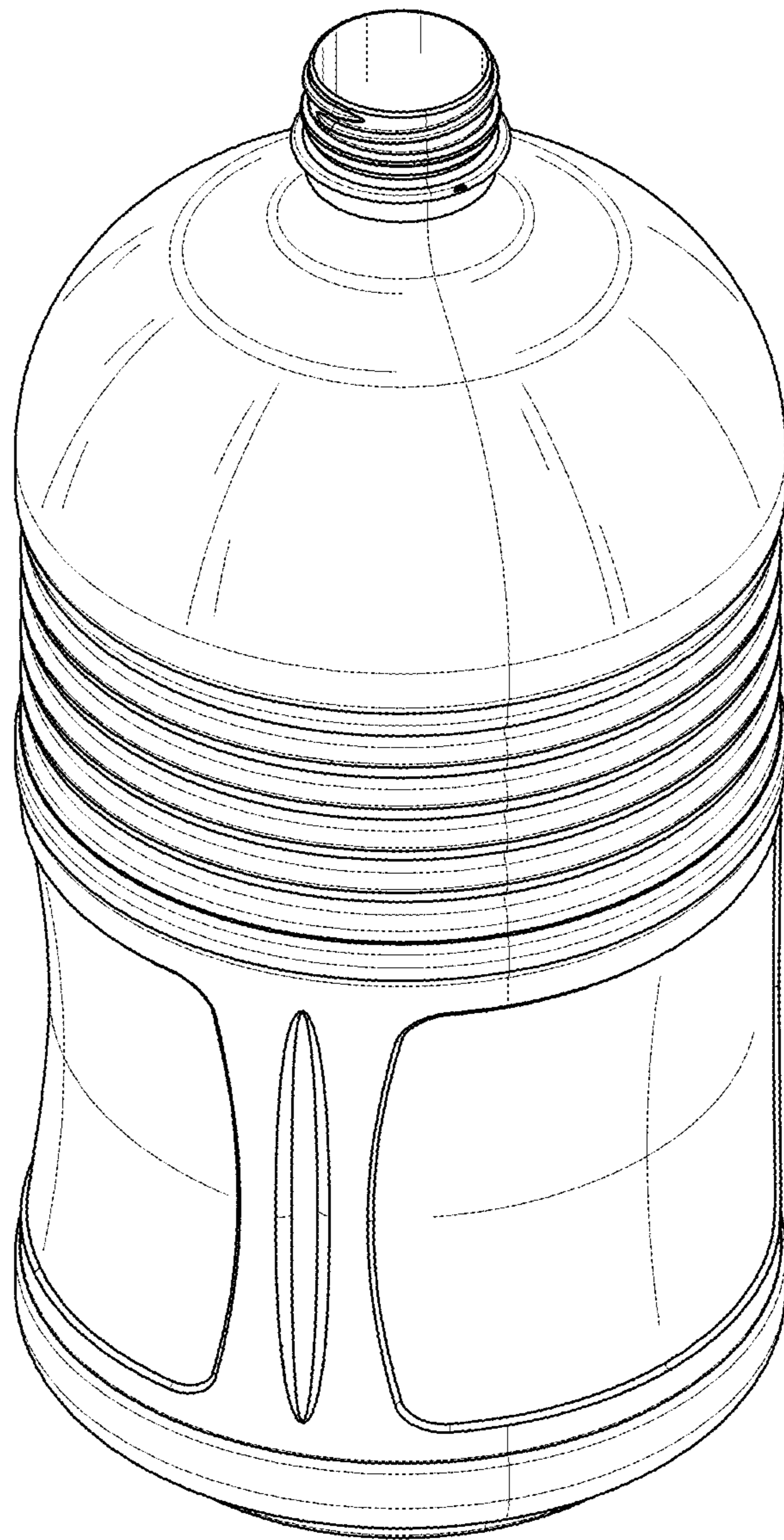


FIG. 1

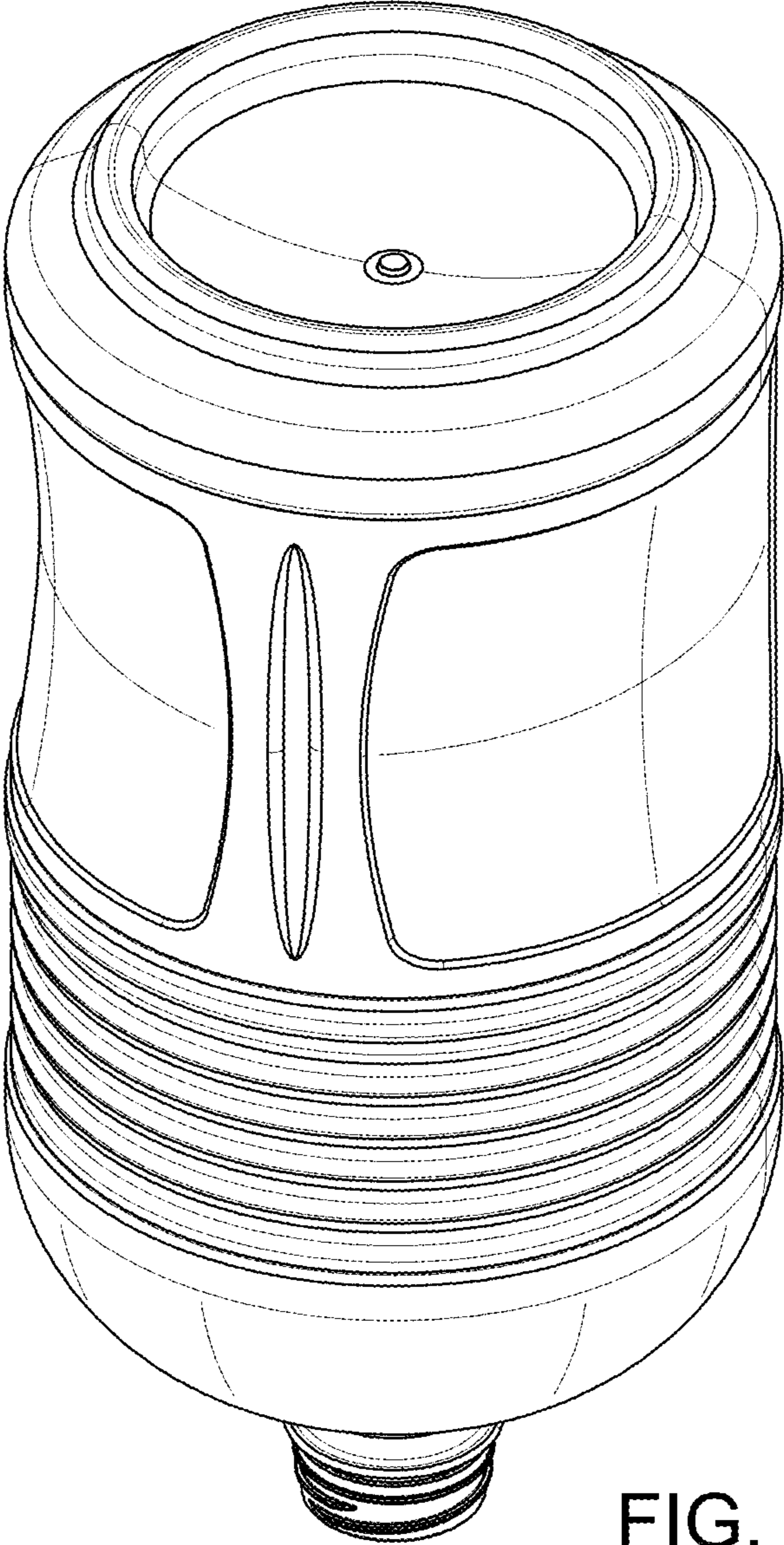


FIG. 2

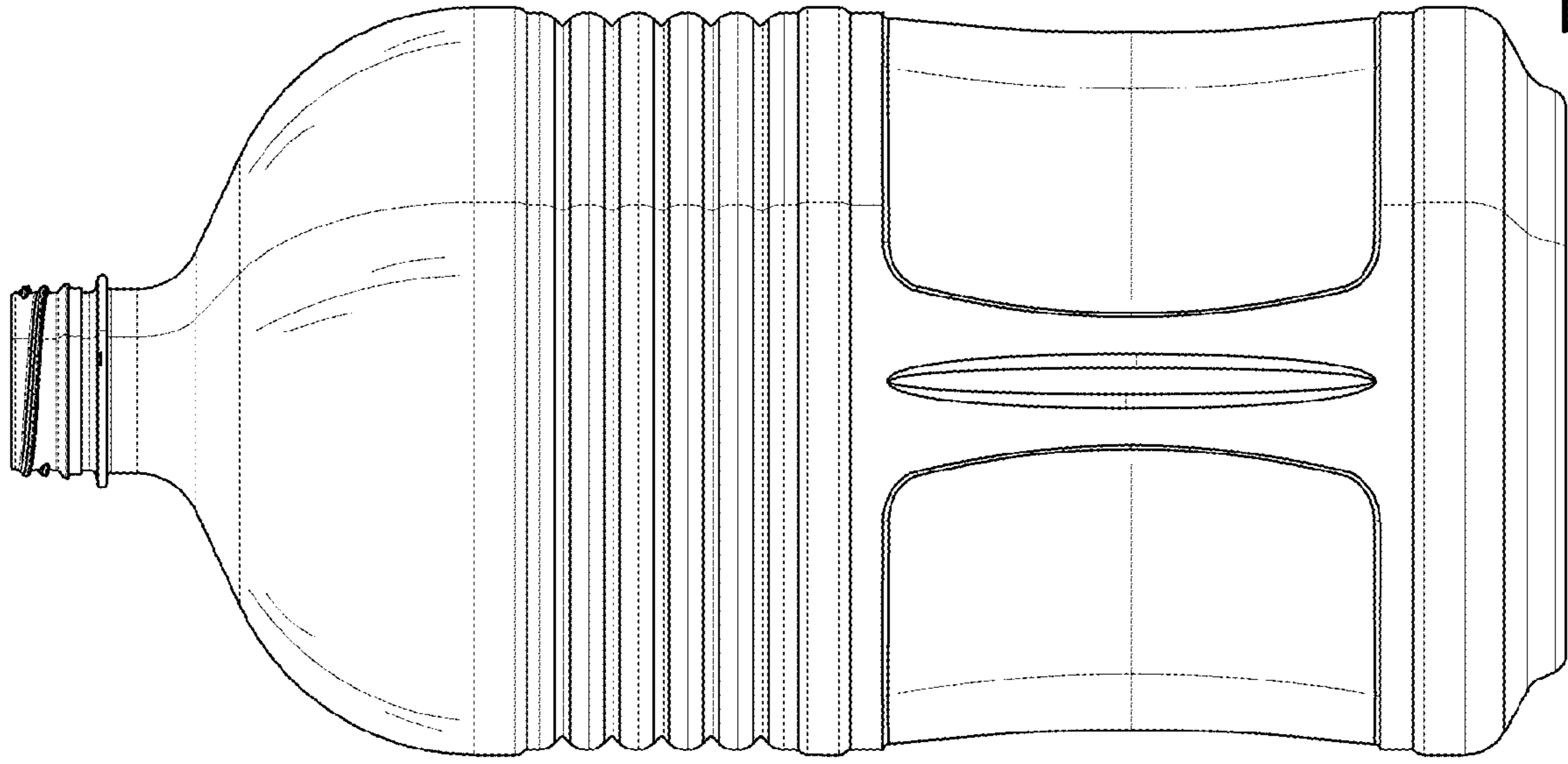


FIG. 4

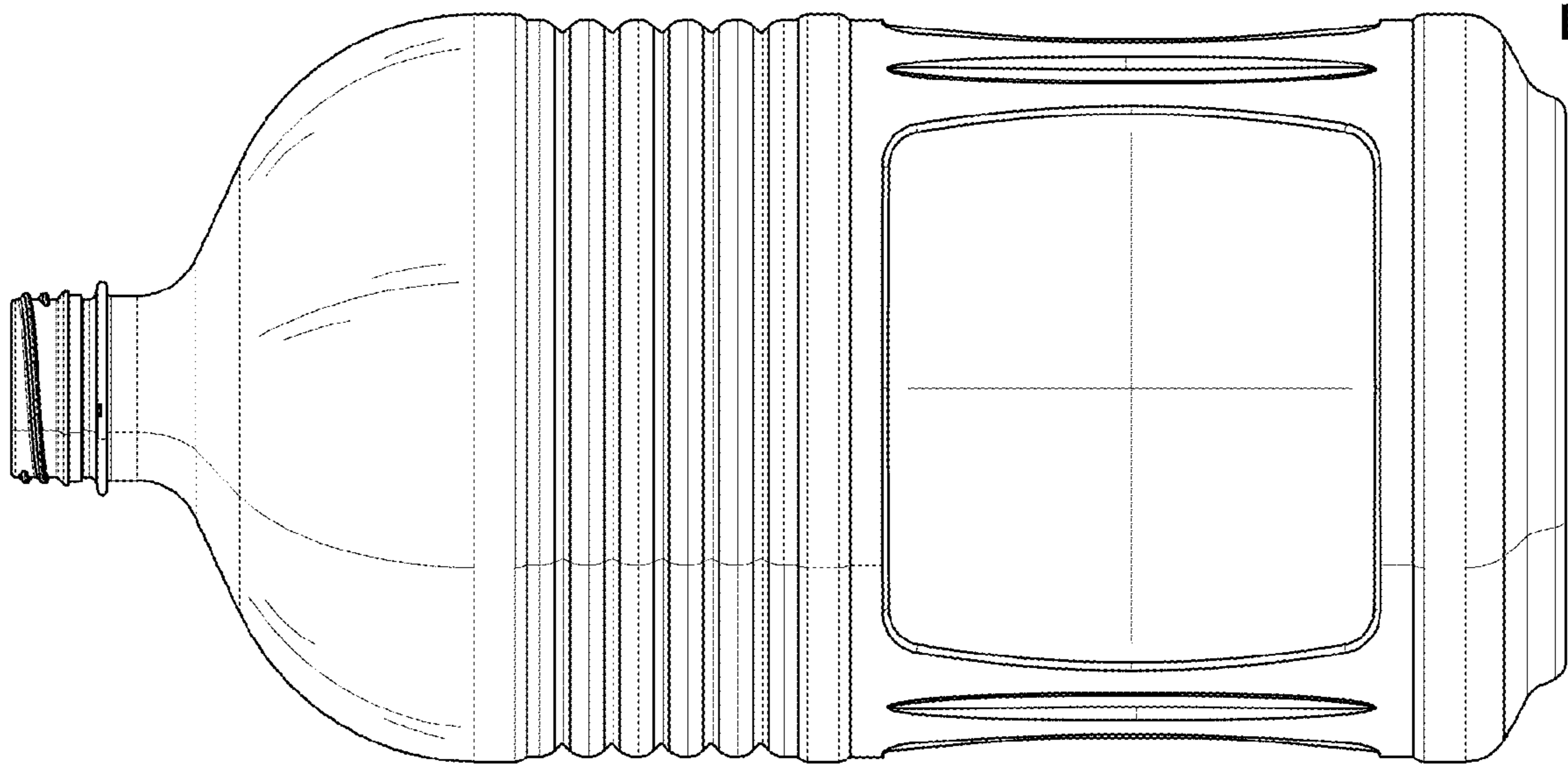


FIG. 3

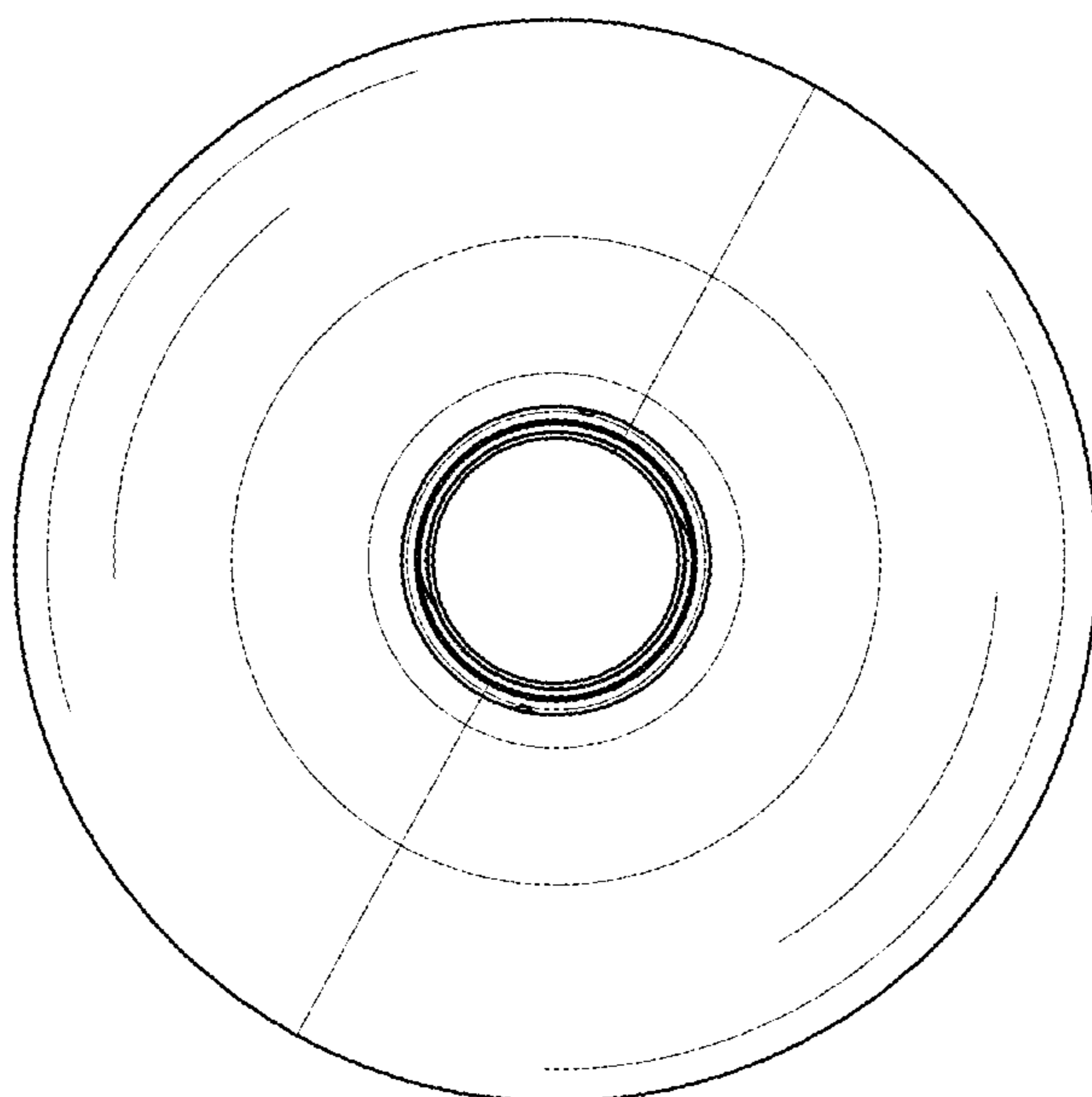


FIG. 5

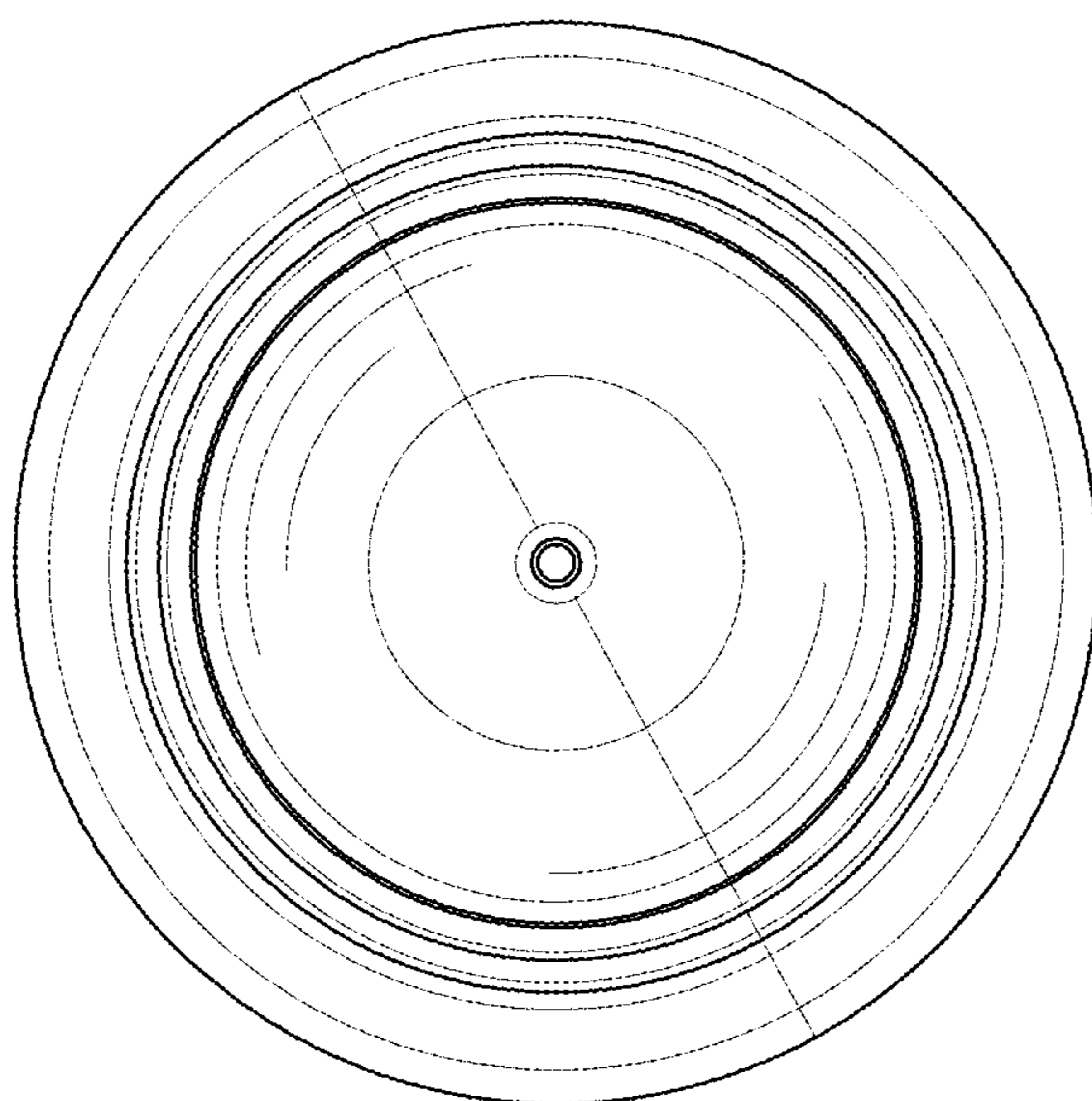


FIG. 6

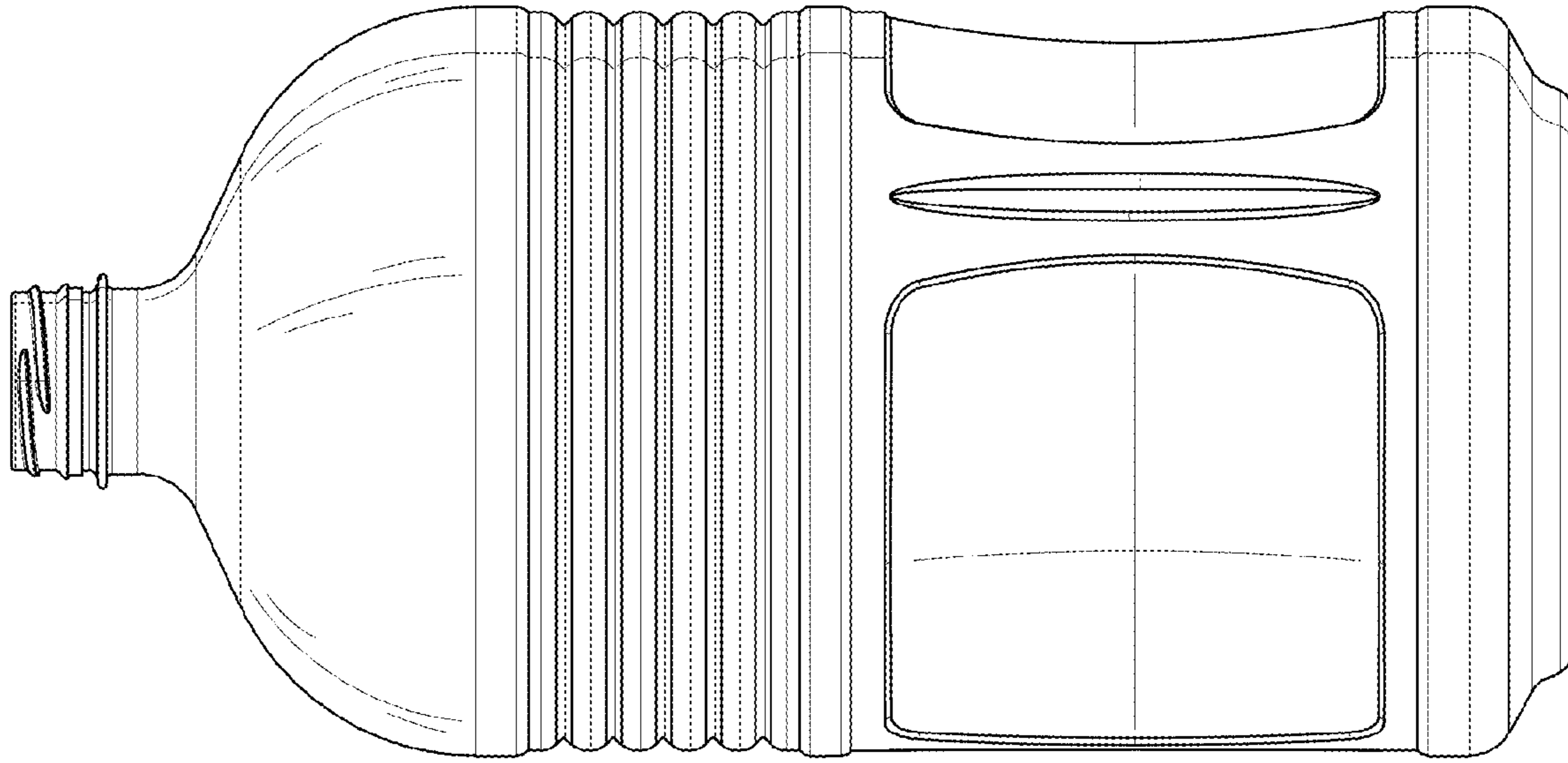


FIG. 8

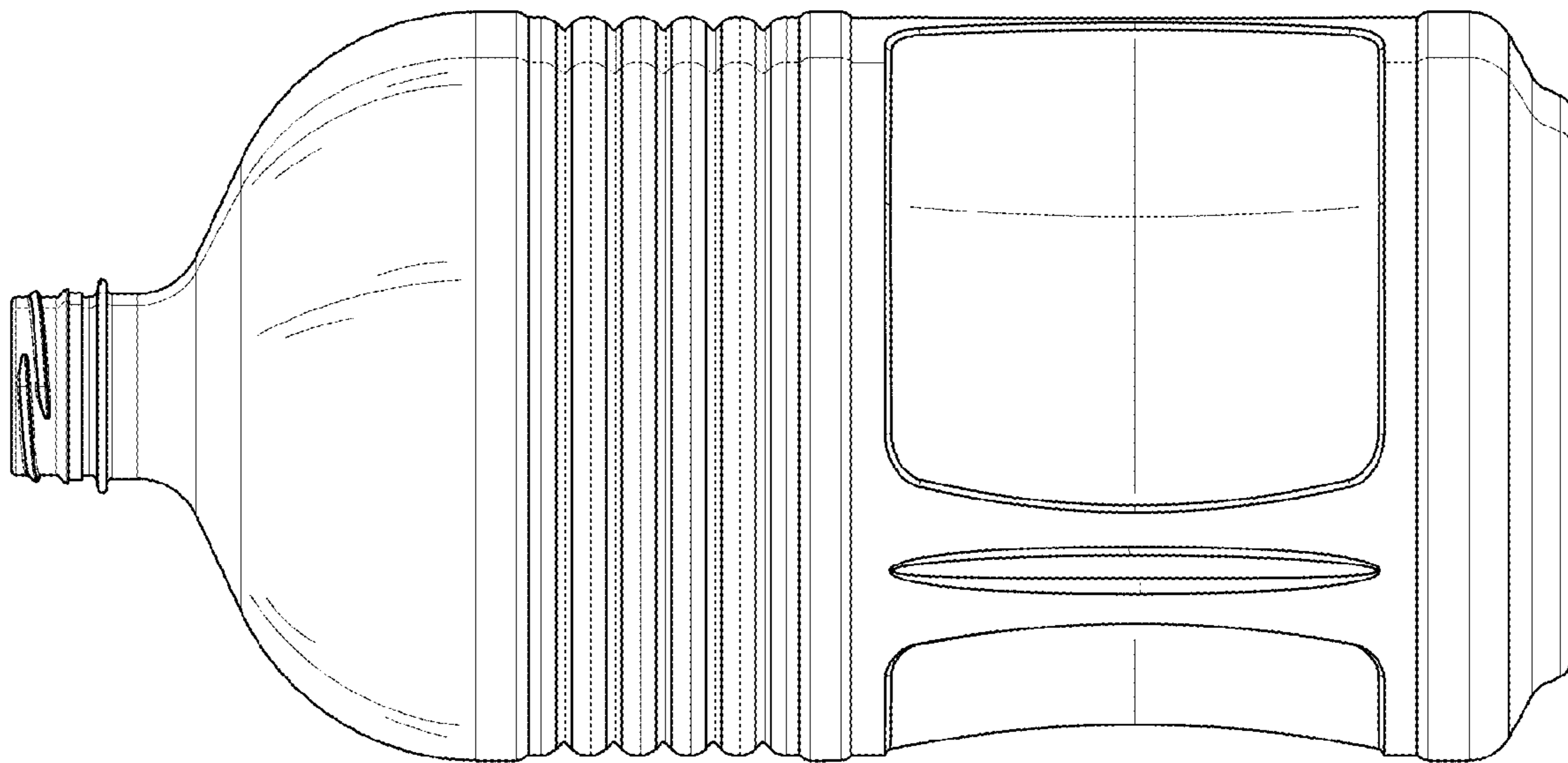


FIG. 7