



US00D927980S

(12) **United States Design Patent**
Jiang

(10) **Patent No.:** **US D927,980 S**

(45) **Date of Patent:** **** *Aug. 17, 2021**

(54) **CHILD RESISTANT TAMPER EVIDENT JAR**

(71) Applicant: **MEG Group**, Jiangsu (CN)

(72) Inventor: **Min Jiang**, Jiangsu (CN)

(73) Assignee: **MEG Group**, Changzhou (CN)

(*) Notice: This patent is subject to a terminal disclaimer.

(**) Term: **15 Years**

(21) Appl. No.: **29/722,075**

(22) Filed: **Jan. 26, 2020**

(30) **Foreign Application Priority Data**

Jul. 29, 2019 (CN) 201930406976.2

(51) **LOC (13) Cl.** **09-01**

(52) **U.S. Cl.**
USPC **D9/504; D28/76**

(58) **Field of Classification Search**
USPC D9/428, 454, 500-505, 516, 529, 537,
D9/545, 549, 551, 573-575, 688, 738,
D9/767, 772; D28/4, 8, 76, 78, 79, 82,
D28/91; D26/6, 22; D7/316, 598, 603,
D7/629, 597, 608
CPC B65D 7/04; B65D 1/165; B65D 45/24;
B65D 1/0246; B65D 1/0207; Y10S
220/906; B21D 51/2615; A47G 19/2255
See application file for complete search history.

(56) **References Cited**

U.S. PATENT DOCUMENTS

- 2,204,784 A * 6/1940 Abrams B65D 81/32
312/31.2
- D263,565 S * 3/1982 Woinarski D9/454
- D265,176 S * 6/1982 Bock D9/454
- D272,722 S * 2/1984 Haakenson D9/503
- D274,848 S * 7/1984 Chevassus D28/76
- D280,975 S * 10/1985 Van Dine D9/504

- 4,627,547 A * 12/1986 Cooke B65D 41/06
215/222
 - 5,052,592 A * 10/1991 Wilken B65D 83/0033
222/212
 - D322,753 S * 12/1991 Sussman D9/504
 - 5,115,929 A * 5/1992 Buono B65D 50/041
215/216
 - D338,831 S * 8/1993 Osip D9/503
- (Continued)

OTHER PUBLICATIONS

MDDM, Oct. 8, 2016, Amazon.com Product Review Post, URL: https://www.amazon.com/Complemento-vitam%C3%ADnico-de-Amazing-Trio/dp/B00112IM56/ref=sr_1_1_sspa?_mk_es_US=%C3%85M%C3%85%C5%BD%C3%95%C3%91&dchild=1&keywords=organic%2Bwheatgrass&qid=1611203677&sr=8-1-spons&spLa=ZW5jcnlwdGVkUXVhbGlmaWVyPUEzRVIS (Year: 2016).*

(Continued)

Primary Examiner — Brett Miller
Assistant Examiner — Rani J Abdallah

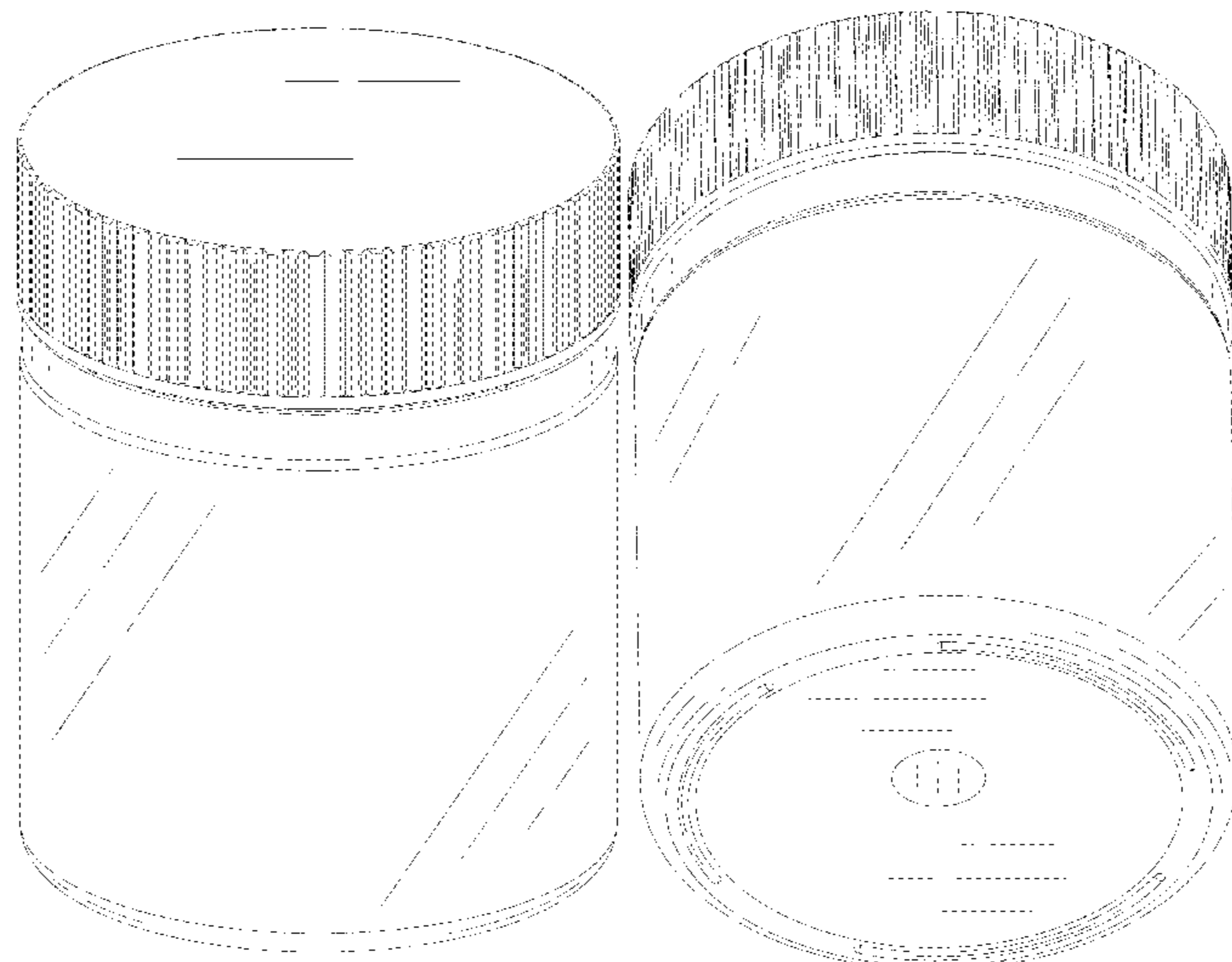
(57) **CLAIM**

The ornamental design for child resistant tamper evident jar, as shown and described.

DESCRIPTION

FIG. 1 is a perspective view of child resistant tamper evident jar showing my new design;
FIG. 2 is another perspective view;
FIG. 3 is a front elevation view thereof;
FIG. 4 is a back elevation view thereof;
FIG. 5 is a left side view thereof;
FIG. 6 is a right side view thereof;
FIG. 7 is a top plan view thereof;
FIG. 8 is a bottom plan view thereof;
FIG. 9 is an open state view thereof; and,
FIG. 10 is another open state view thereof.
The broken lines in the drawings depict environmental subject matter only and form no part of the claimed design.

1 Claim, 10 Drawing Sheets



(56)

References Cited

U.S. PATENT DOCUMENTS

5,611,443 A * 3/1997 King B65D 50/041
 215/220
 D381,259 S * 7/1997 Hayes D9/454
 D381,582 S * 7/1997 Bolton D9/428
 5,927,532 A * 7/1999 Traub B65D 41/06
 215/222
 D466,814 S * 12/2002 Hurlburt B65D 81/32
 D9/504
 D477,536 S * 7/2003 Kudo D9/516
 D484,644 S * 12/2003 Noh D28/76
 D485,016 S * 1/2004 Noh D28/76
 D485,017 S * 1/2004 Noh D28/76
 D503,829 S * 4/2005 Tanii D28/76
 D503,830 S * 4/2005 Tanii D28/76
 D504,542 S * 4/2005 Noh D28/76
 D515,426 S * 2/2006 Pace D9/504
 D530,208 S * 10/2006 Danne D9/504
 D531,036 S * 10/2006 Bried D9/504
 D562,500 S * 2/2008 Dretzka D28/73
 D585,740 S * 2/2009 Wilson D9/454
 D588,916 S * 3/2009 DeMarco D9/504
 D612,240 S * 3/2010 Cresswell D9/504
 D621,261 S * 8/2010 DeMarco D9/504
 D623,475 S * 9/2010 Aarnoudse D9/504
 7,798,319 B1 * 9/2010 Bried B65D 51/16
 206/242
 D628,077 S * 11/2010 Lee D9/529
 7,988,003 B1 * 8/2011 Clodfelter B65D 50/041
 215/220
 D682,625 S * 5/2013 Lane D7/629
 D693,688 S * 11/2013 Russell D9/504
 D695,138 S * 12/2013 Ball D9/772
 8,596,477 B2 * 12/2013 Kras B65D 41/3409
 215/276

D722,273 S * 2/2015 Ivie D9/500
 D733,967 S * 7/2015 Schlatter D9/504
 D737,149 S * 8/2015 Son D9/688
 D739,740 S * 9/2015 Sturdevant D9/504
 D765,512 S * 9/2016 Joulia D9/504
 D779,326 S * 2/2017 Lee D9/454
 D780,531 S * 3/2017 Seiders D7/608
 D780,532 S * 3/2017 Seiders D7/608
 D780,533 S * 3/2017 Seiders D7/608
 D786,679 S * 5/2017 Barroso Miana D9/504
 D822,282 S * 7/2018 Montoli A45D 33/006
 D28/82
 D828,113 S * 9/2018 Fleischhut D7/608
 D830,828 S * 10/2018 Weil D9/503
 D847,645 S * 5/2019 Lee D9/504
 D871,856 S * 1/2020 Fleischhut D7/608
 D888,505 S * 6/2020 Seiders D7/608
 D902,665 S * 11/2020 Jacobsen D7/608
 D902,991 S * 11/2020 Tivnon D9/772
 10,882,666 B2 * 1/2021 Giraud B65D 53/04
 2006/0000841 A1 * 1/2006 Smay B65D 1/165
 220/735
 2016/0176591 A1 * 6/2016 Thomas B65D 50/041
 215/218
 2019/0315534 A1 * 10/2019 Karli B65D 7/04
 2020/0015609 A1 * 1/2020 Rhodes A47G 19/2205

OTHER PUBLICATIONS

Factory Outlet HDPE Plastic 500ml Protein Powder Jar, Archice
 date Jun. 30, 2019, fukang-jar.com, URL:<http://www.fukang-jar.com/hdpe-plastic-bottle/factory-outlet-hdpe-plastic-500ml-protein.html> (Year: 2019).*

* cited by examiner

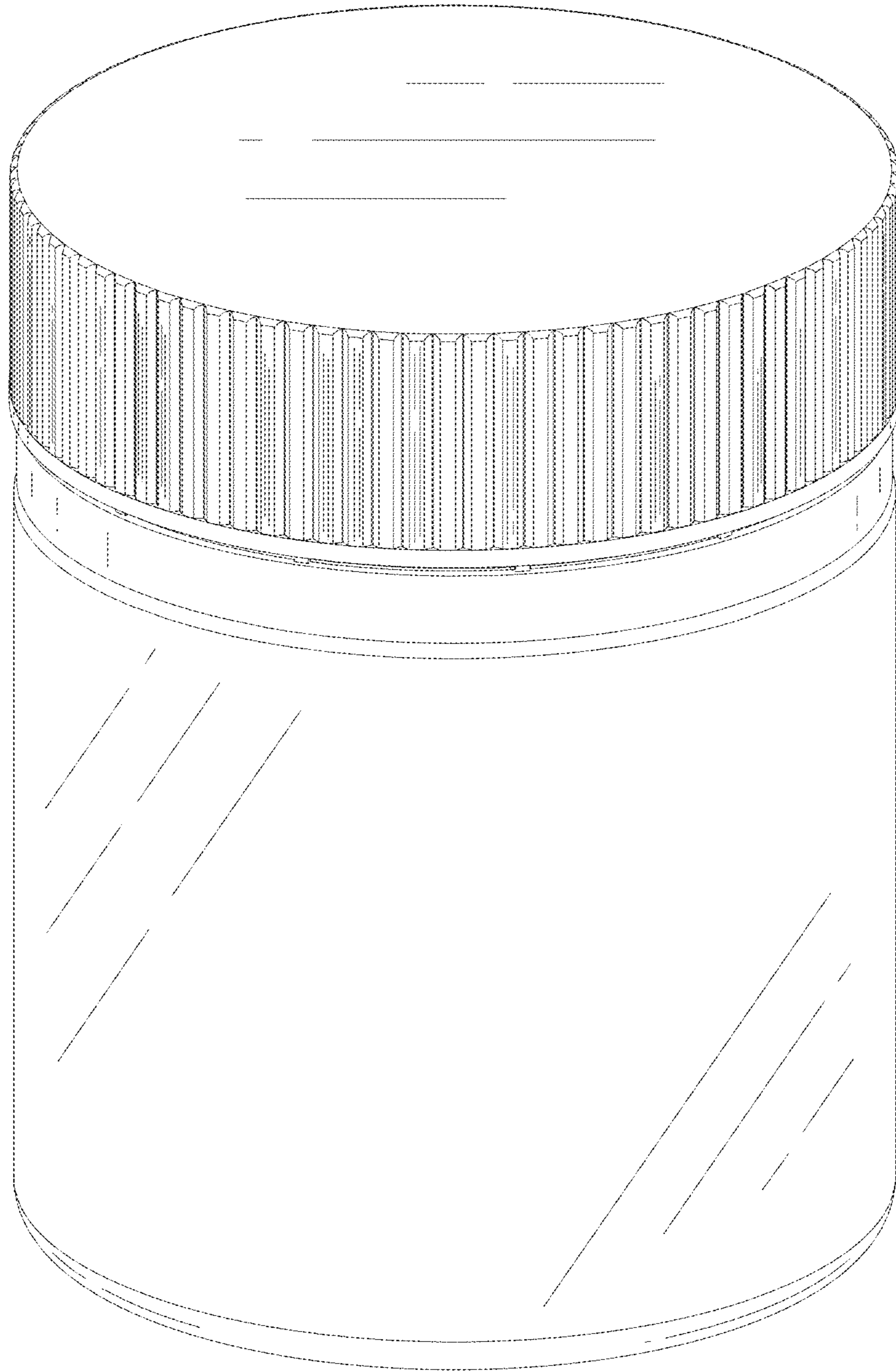


FIG. 1

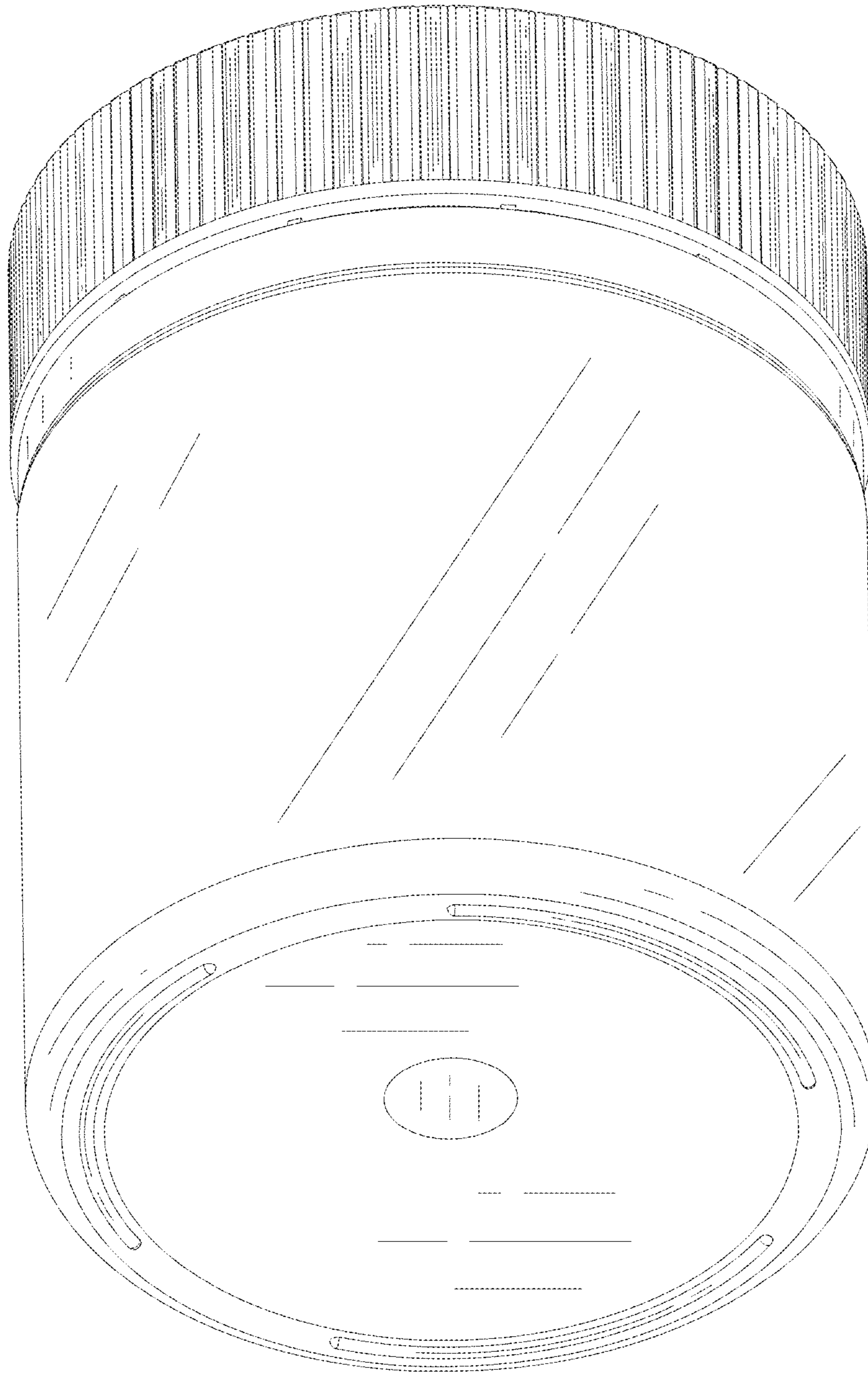


FIG. 2

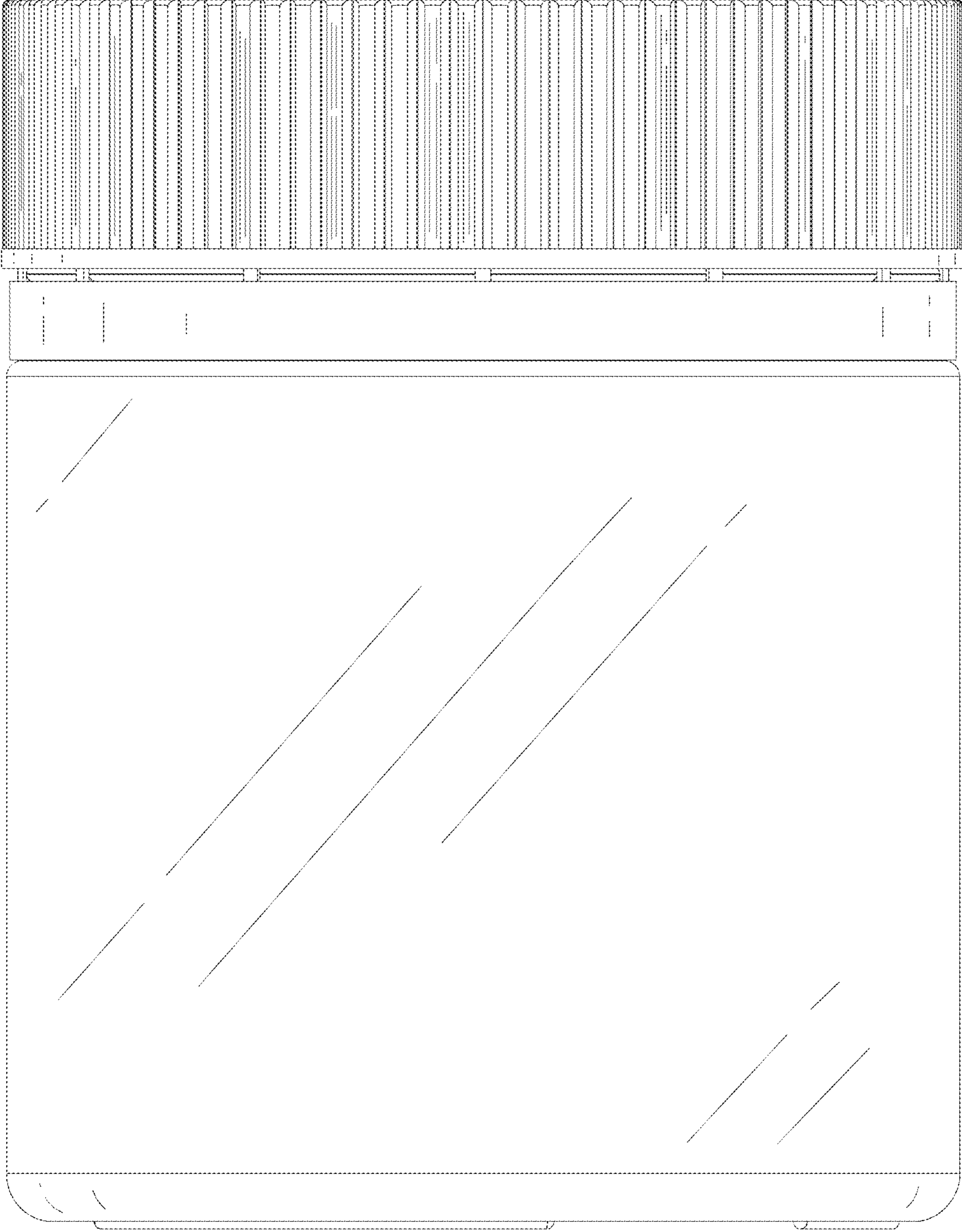


FIG. 3

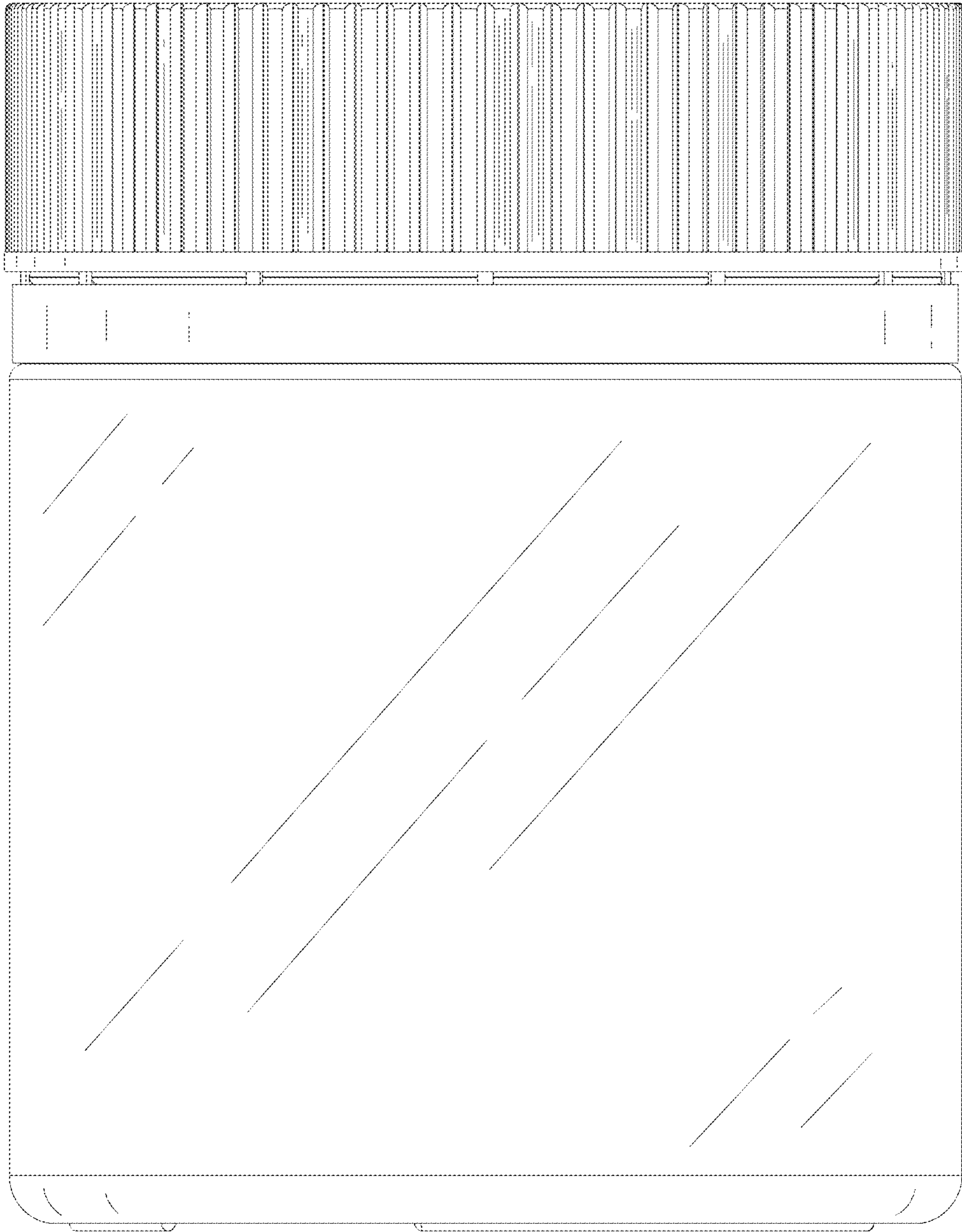


FIG. 4

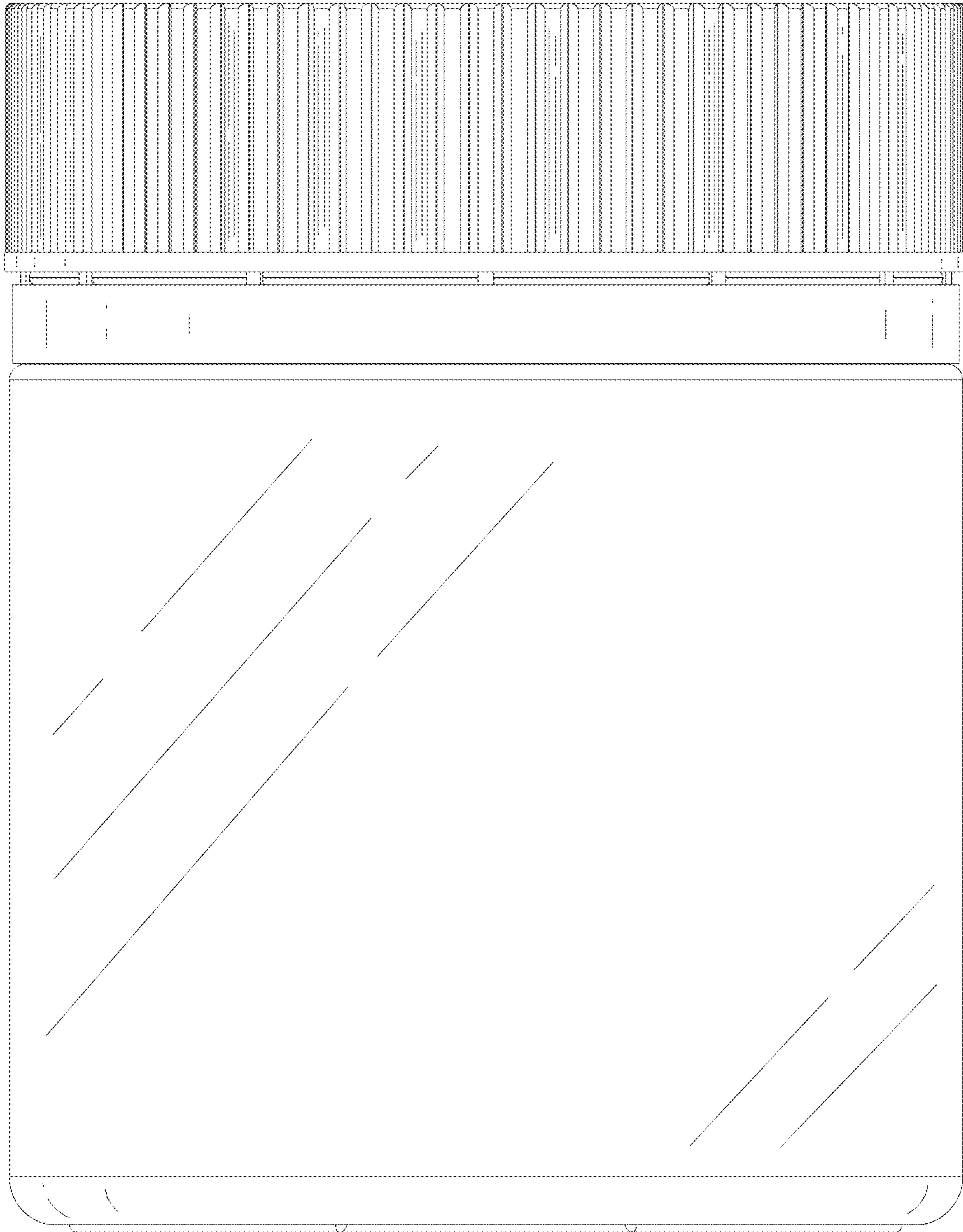


FIG. 5

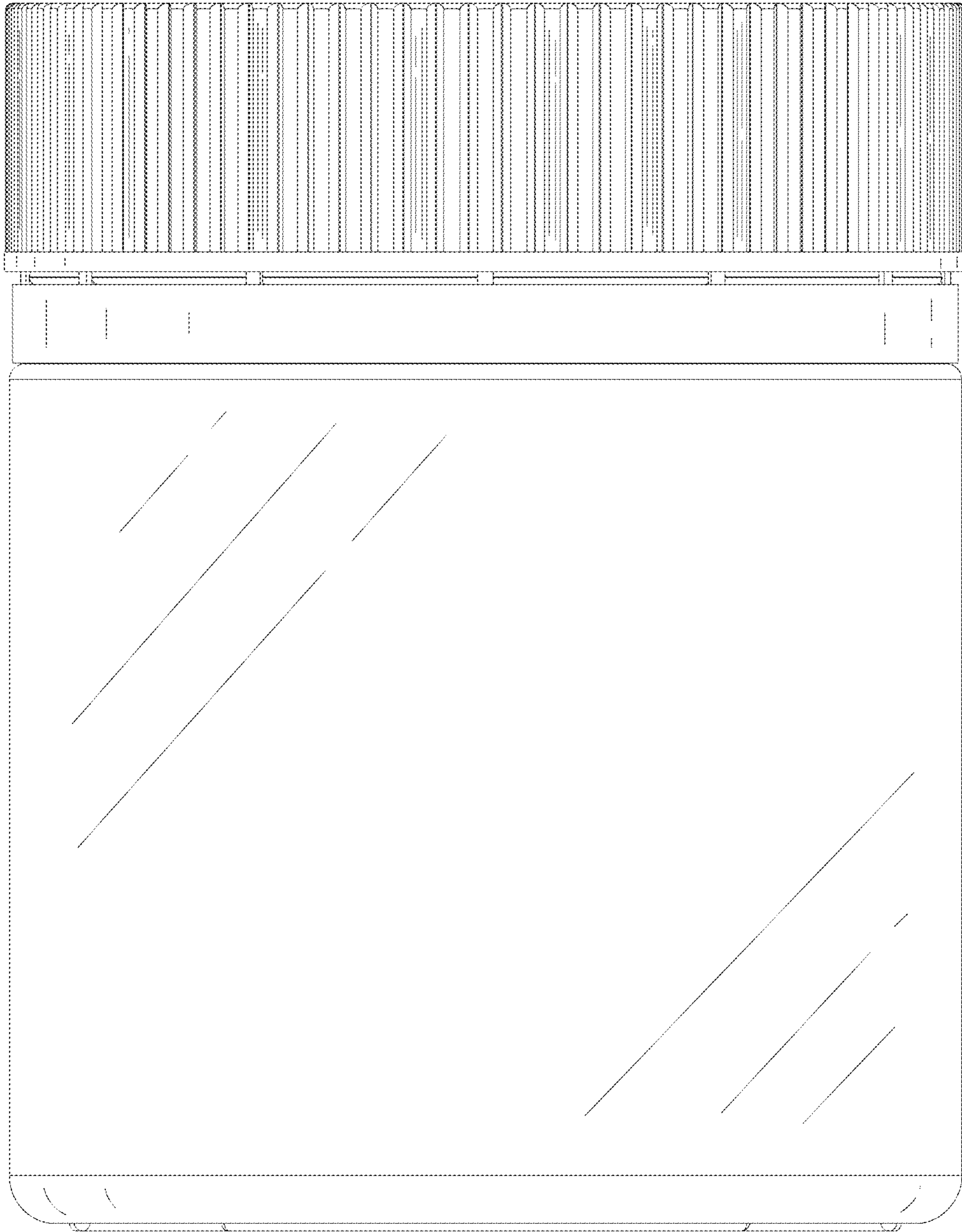


FIG. 6

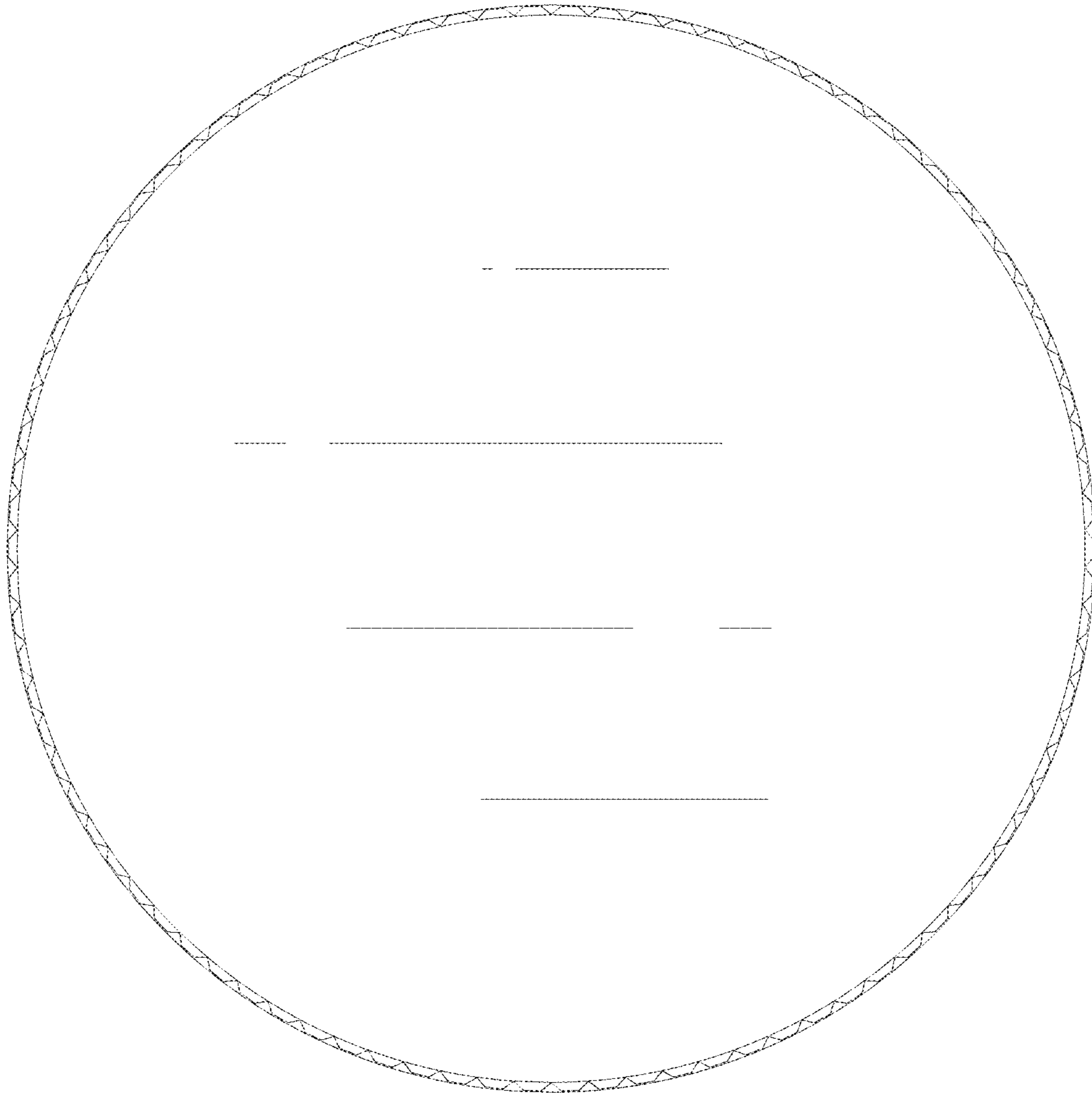


FIG. 7

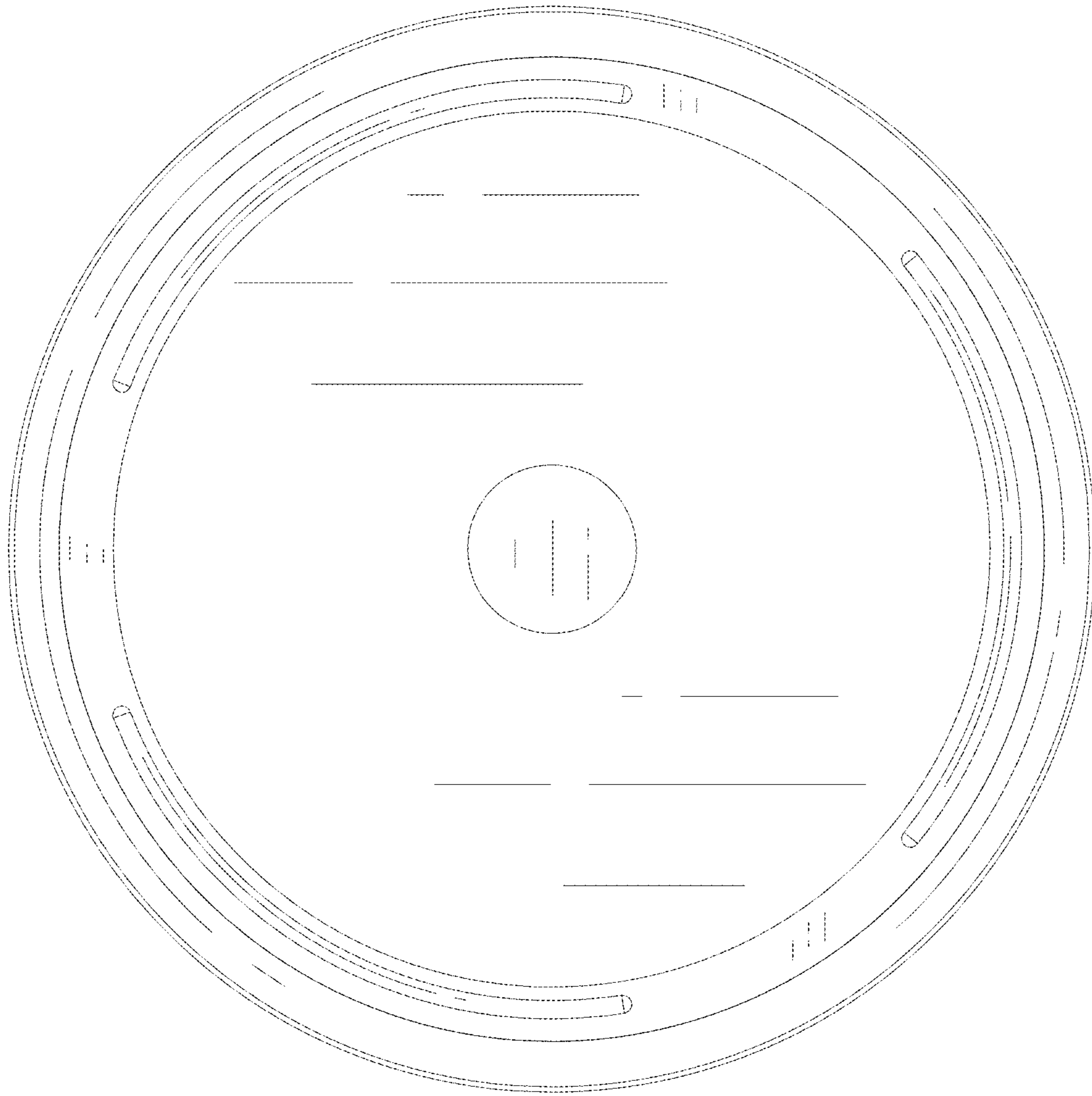


FIG. 8

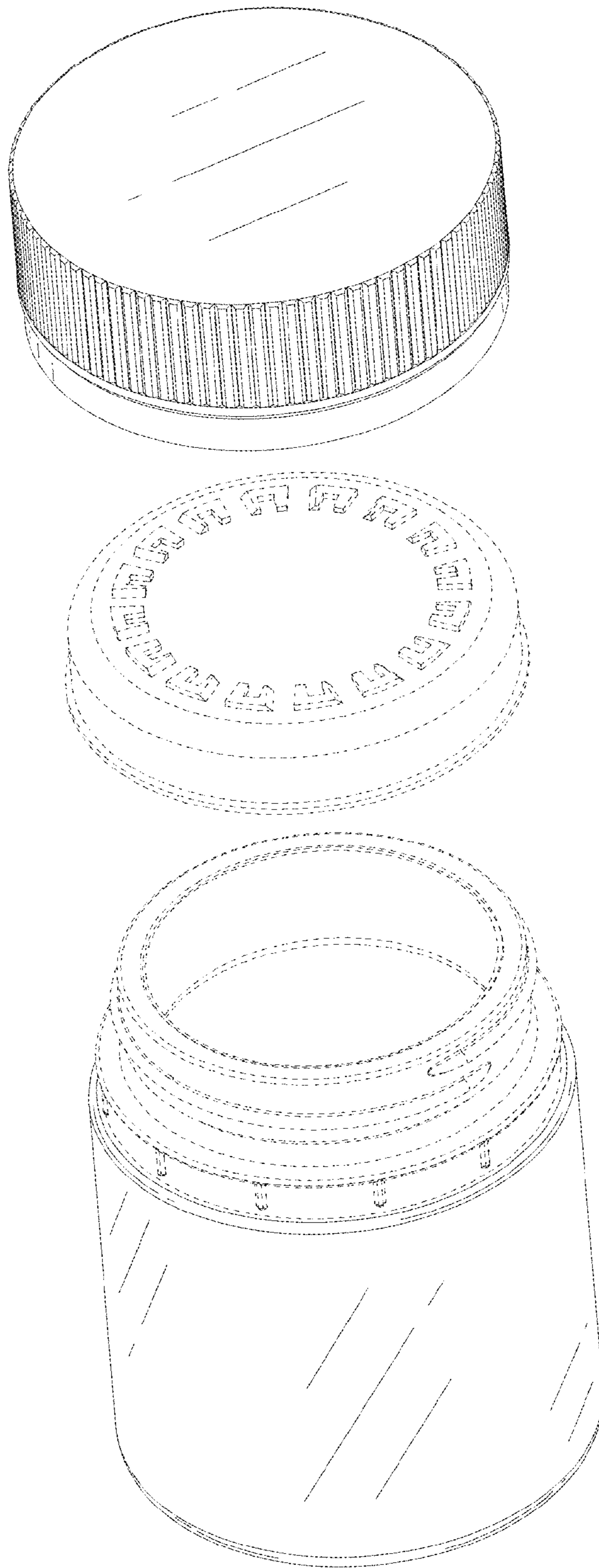


FIG. 9

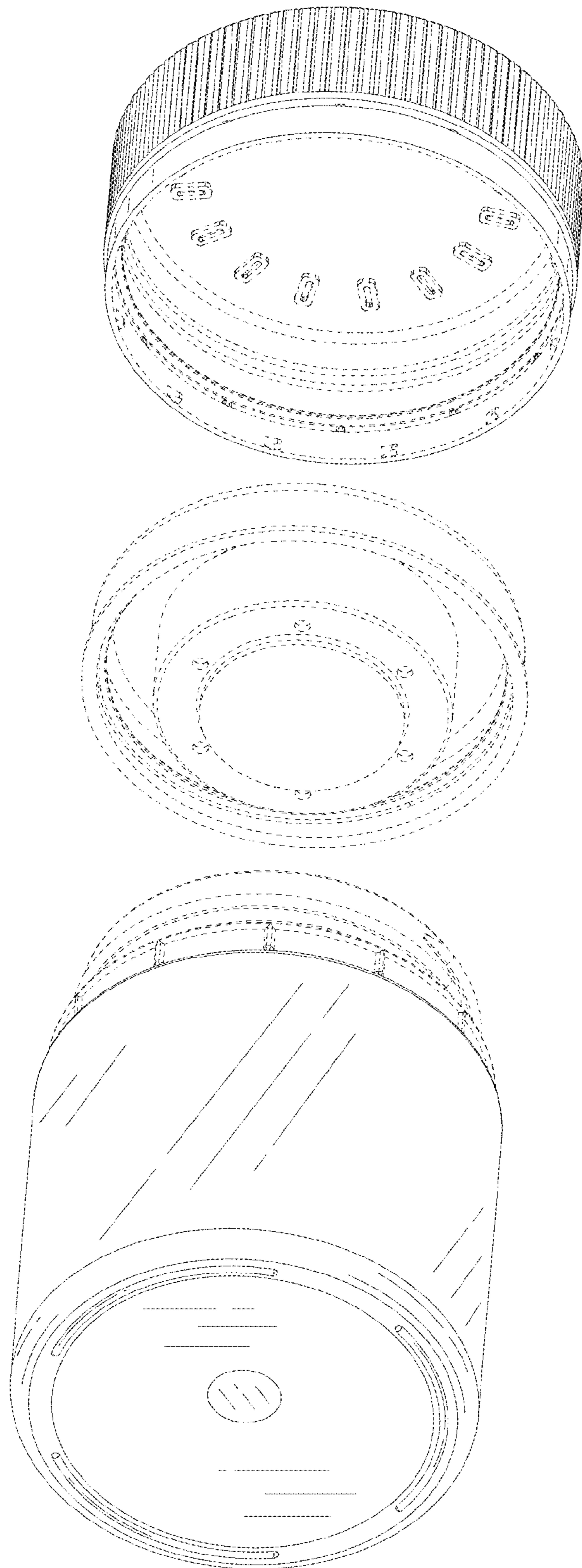


FIG. 10