

US00D927978S

(12) **United States Design Patent**
Todorovic

(10) **Patent No.:** **US D927,978 S**

(45) **Date of Patent:** **** Aug. 17, 2021**

(54) **PLASTIC CONTAINER**

(71) Applicant: **Plastipak BAWT S.á.r.l.**, Bascharage (LU)

(72) Inventor: **Mina Todorovic**, Antwerp (BE)

(73) Assignee: **Plastipak BAWT S.á.r.l.**, Bascharage (LU)

(**) Term: **15 Years**

(21) Appl. No.: **29/712,874**

(22) Filed: **Nov. 12, 2019**

(51) **LOC (13) Cl.** **09-01**

(52) **U.S. Cl.**
USPC **D9/500**

(58) **Field of Classification Search**
USPC D9/500–505, 519, 521, 529, 537,
D9/544–546, 549, 550, 556, 573–575,
(Continued)

(56) **References Cited**

U.S. PATENT DOCUMENTS

D264,937 S * 6/1982 Groark D9/500
D269,499 S * 6/1983 Rafart D9/500
(Continued)

FOREIGN PATENT DOCUMENTS

CN 303254353 * 6/2015
EM 001750373-0001 * 9/2010
(Continued)

OTHER PUBLICATIONS

Daniel Jones, May 4, 2019, The sun—Hidden Helpers Why Heinz ketchup bottles have a 57 on base, pen lids have holes and other

everyday items' handy secrets, URL:https://www.thesun.co.uk/news/9004883/items-hidden-secrets-ketchup-bottles/ (Year: 2019).*

Primary Examiner — Brett Miller

Assistant Examiner — Rani J Abdallah

(74) *Attorney, Agent, or Firm* — Fishman Stewart PLLC

(57) **CLAIM**

The ornamental design for a plastic container, as shown and described.

DESCRIPTION

FIG. 1 is a first front perspective view of a plastic container showing a first embodiment of the claimed design;

FIG. 2 is a second front perspective view of the plastic container illustrated in FIG. 1;

FIG. 3 is a front elevation view of the plastic container illustrated in FIG. 1, with the claimed portions of the rear and side views being substantially the same;

FIG. 4 is a top plan view of the plastic container illustrated in FIG. 1;

FIG. 5 is a bottom plan view of the plastic container illustrated in FIG. 1;

FIG. 6 is a first front perspective view of a plastic container showing a second embodiment of the claimed design;

FIG. 7 is a second front perspective view of the plastic container illustrated in FIG. 6;

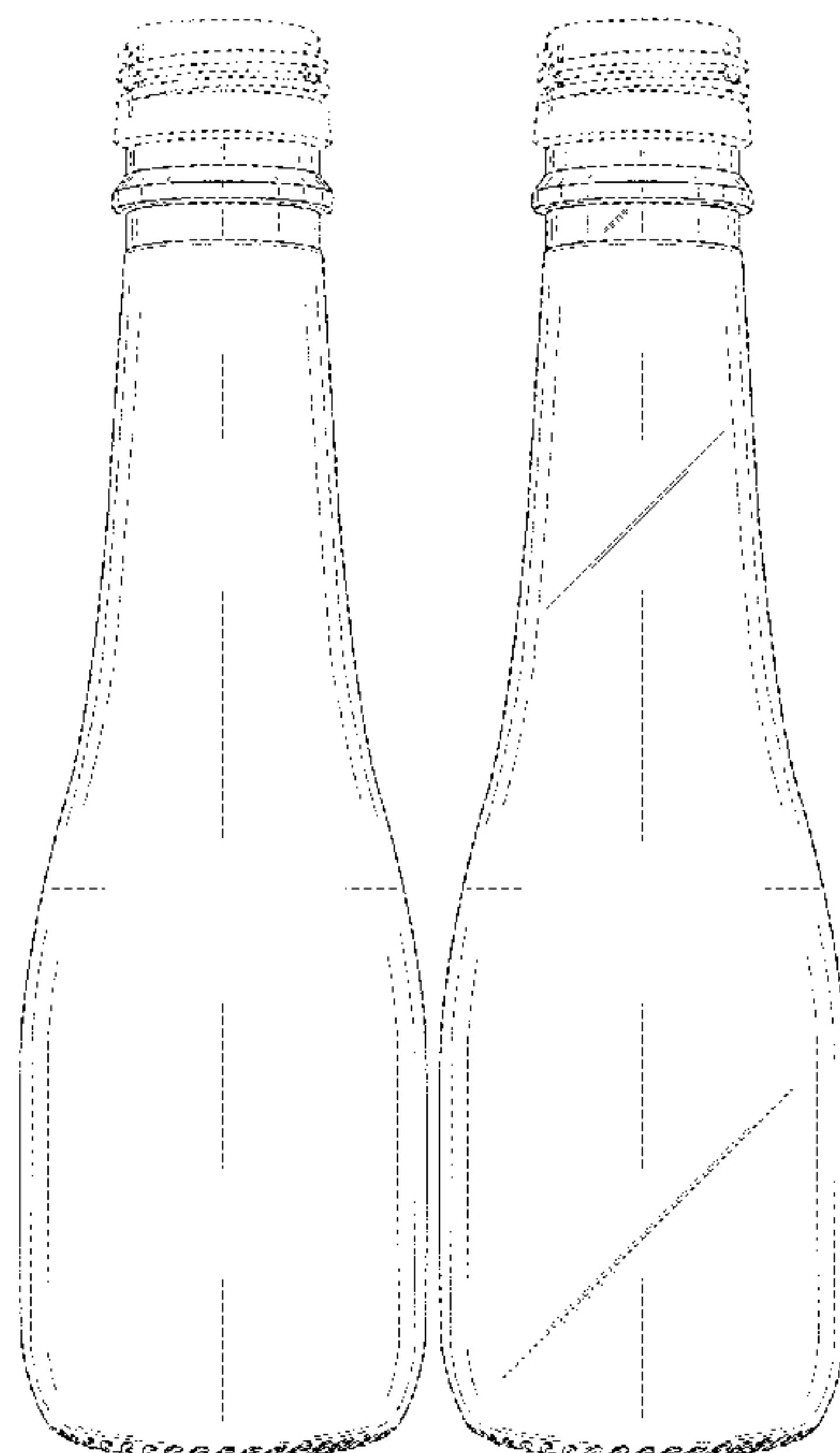
FIG. 8 is a front elevation view of the plastic container illustrated in FIG. 6, with the claimed portions of the rear and side views being substantially the same;

FIG. 9 is a top plan view of the plastic container illustrated in FIG. 6; and,

FIG. 10 is a bottom plan view of the plastic container illustrated in FIG. 6.

The broken lines shown in the drawings illustrate portions of the plastic container that form no part of the claimed design.

1 Claim, 10 Drawing Sheets



(58) **Field of Classification Search**

USPC D9/682, 688, 690, 767, 772, 777, 783,
 D9/689, 520, 551, 552, 558, 557; D28/7,
 D28/85; D7/509-511, 523
 CPC B21D 51/26; B21D 51/2615; B21D 22/28;
 B65D 1/0246; B65D 41/04; F25D 3/08
 See application file for complete search history.

D725,473 S *	3/2015	Paredes	D9/500
D739,737 S *	9/2015	Paredes	D9/500
D745,398 S *	12/2015	Cotton	D9/500
D758,206 S *	6/2016	Hoeke	D9/500
D796,331 S *	9/2017	Eyal	D9/500
D811,889 S *	3/2018	Cheng	D9/540
D815,532 S *	4/2018	Zhou	D9/504
D821,874 S *	7/2018	Rajesh	D9/500
D824,259 S *	7/2018	Elias	D9/503
D832,651 S *	11/2018	Wiet	D7/511
D866,331 S *	11/2019	Laib	D9/500
D871,816 S *	1/2020	Eisen	D9/505
D883,784 S *	5/2020	Laib	D9/500
D894,739 S *	9/2020	Ungrady	D9/500
D894,741 S *	9/2020	Chupak	D9/500
D907,498 S *	1/2021	Fraser	D9/500

(56) **References Cited**

U.S. PATENT DOCUMENTS

D446,693 S *	8/2001	Bodum	D9/504
D446,694 S *	8/2001	Bodum	D9/504
D500,444 S *	1/2005	Drake	D9/503
D584,157 S *	1/2009	Lepoitevin	D9/558
D592,062 S *	5/2009	DaSilva	D9/500
D594,331 S *	6/2009	Herb	D9/500
D594,748 S *	6/2009	Herb	D9/500
D596,942 S *	7/2009	Britto	D9/500
D614,956 S *	5/2010	Mazed	D9/500
D654,794 S *	2/2012	Morais	D9/500

FOREIGN PATENT DOCUMENTS

EM	002736264-0001	*	9/2015
EM	002736264-0002	*	9/2015
KR	300401252.0000	*	12/2005

* cited by examiner

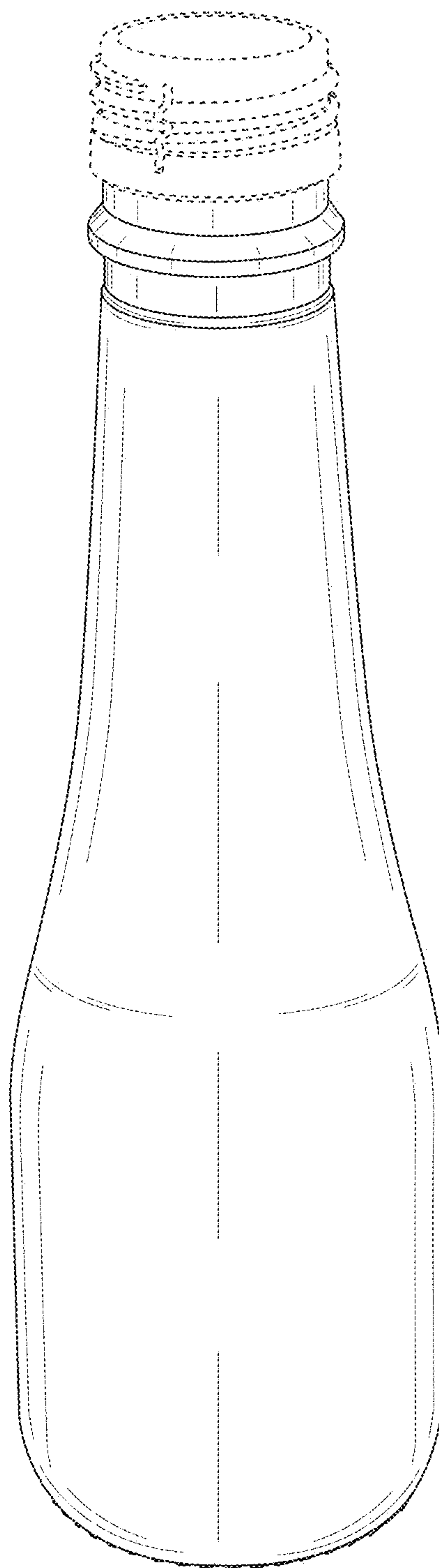


FIG. 1

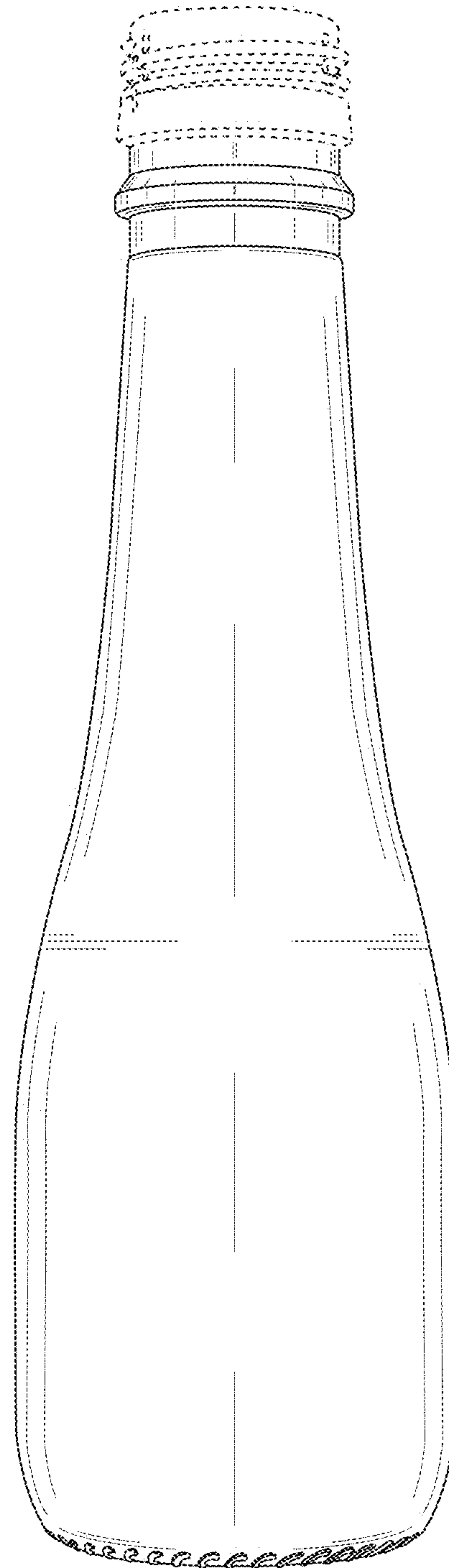


FIG. 2

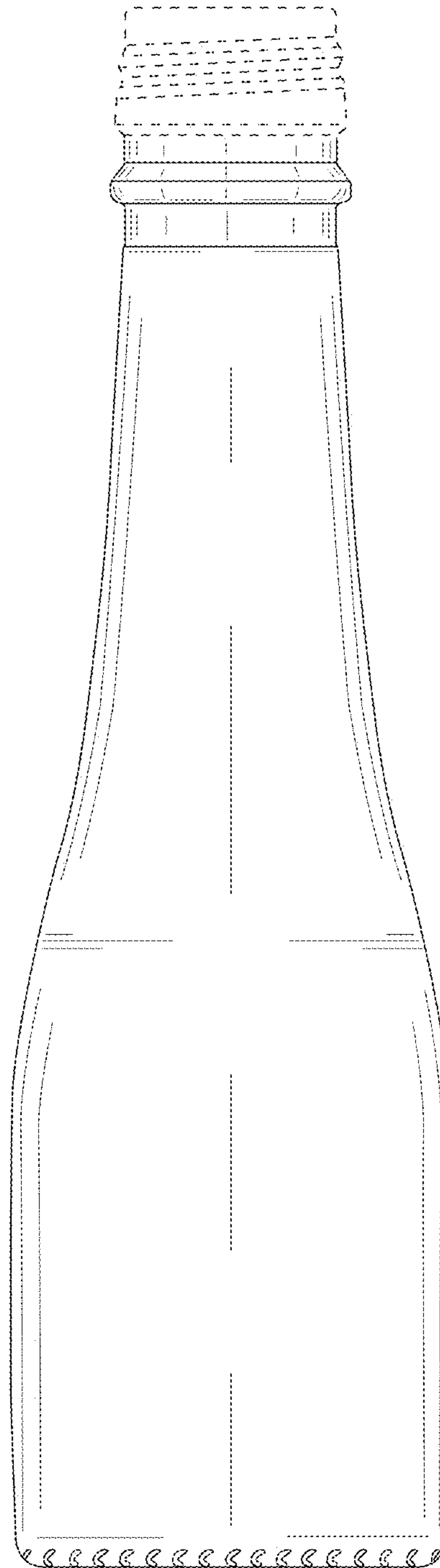


FIG. 3

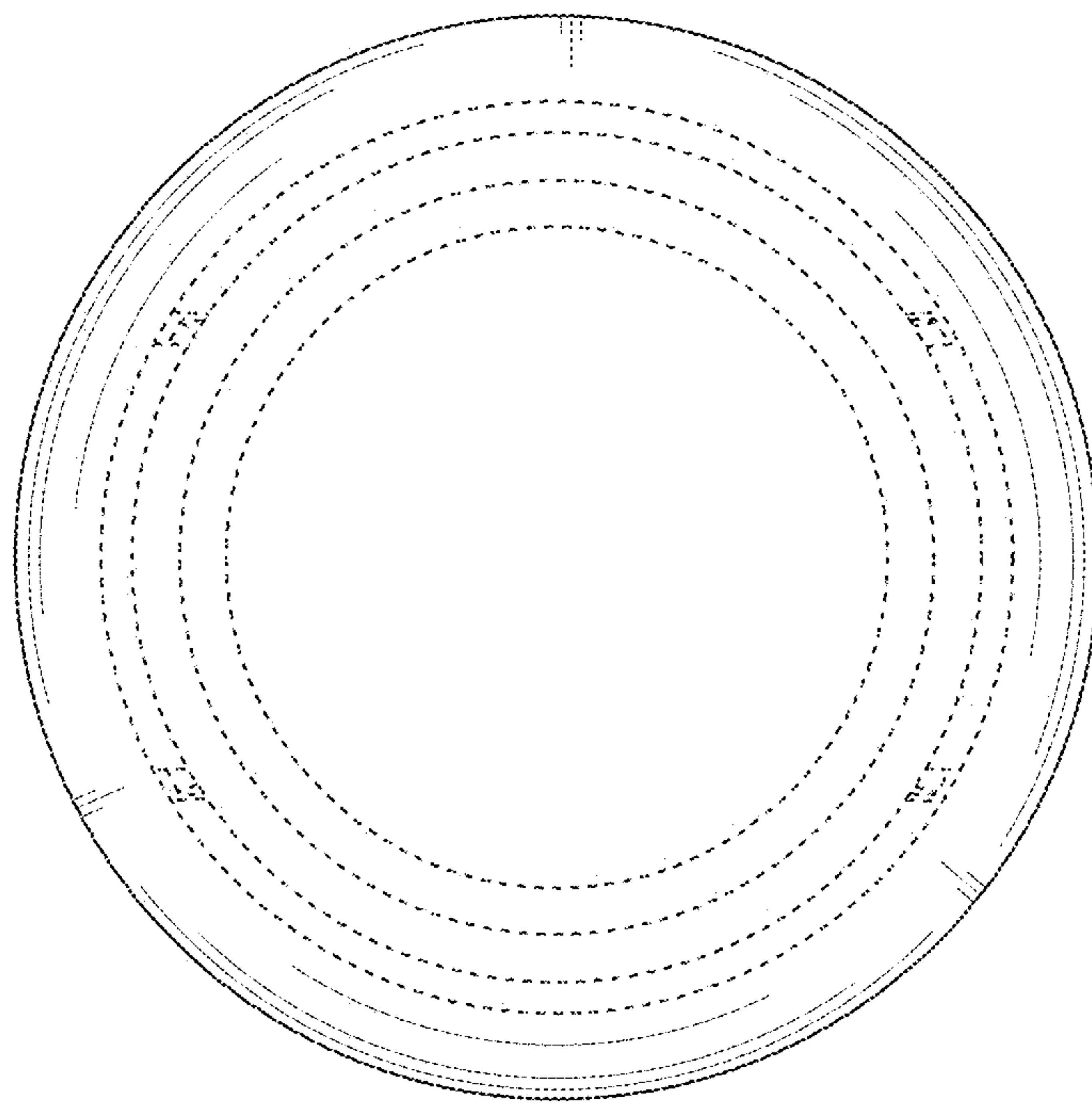


FIG. 4

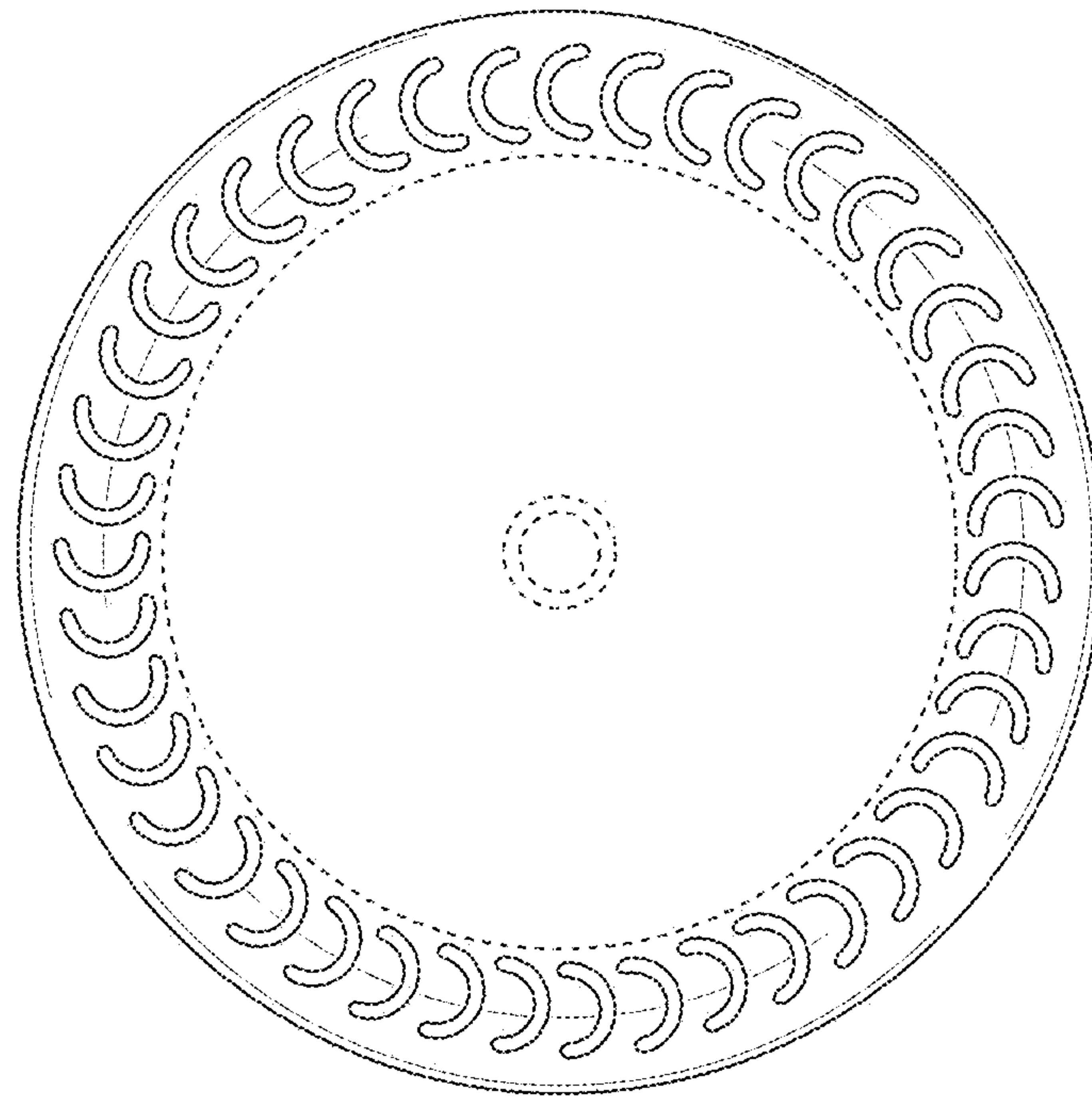


FIG. 5

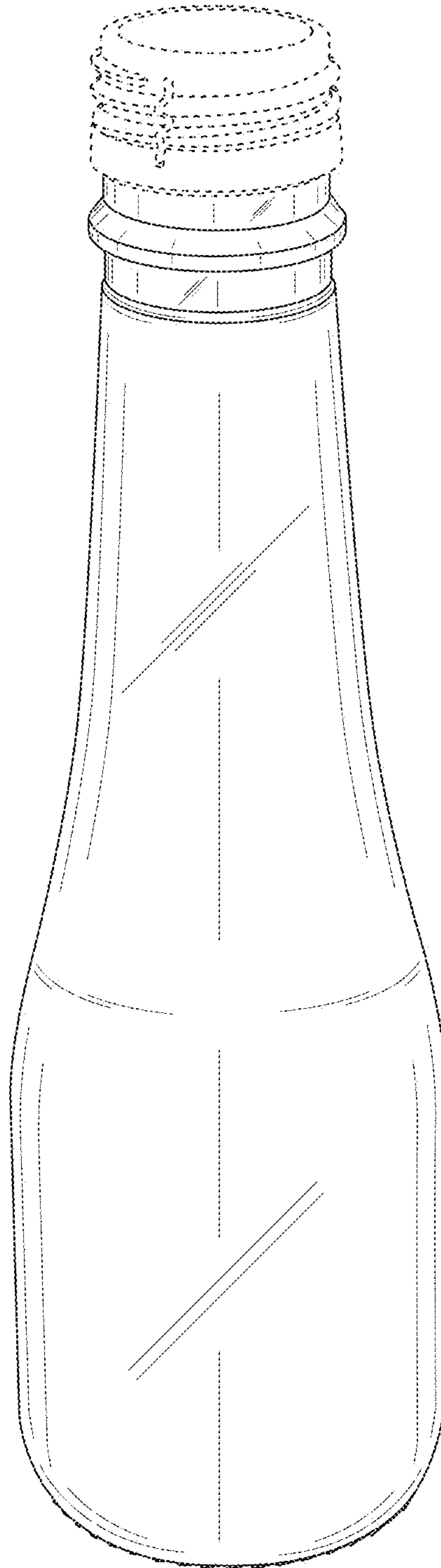


FIG. 6

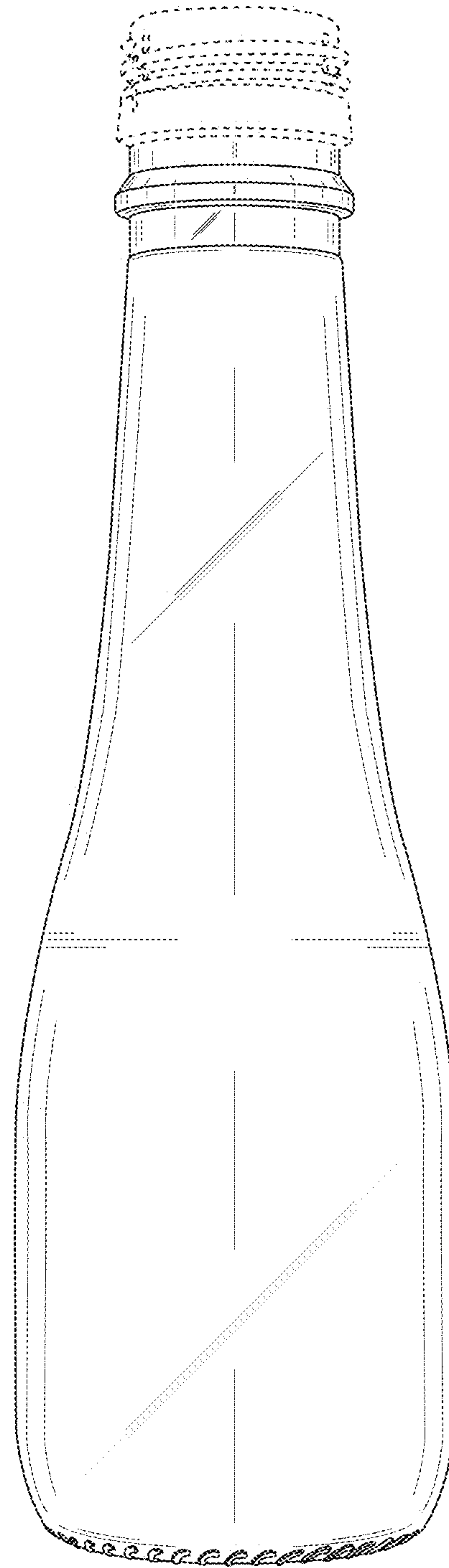


FIG. 7

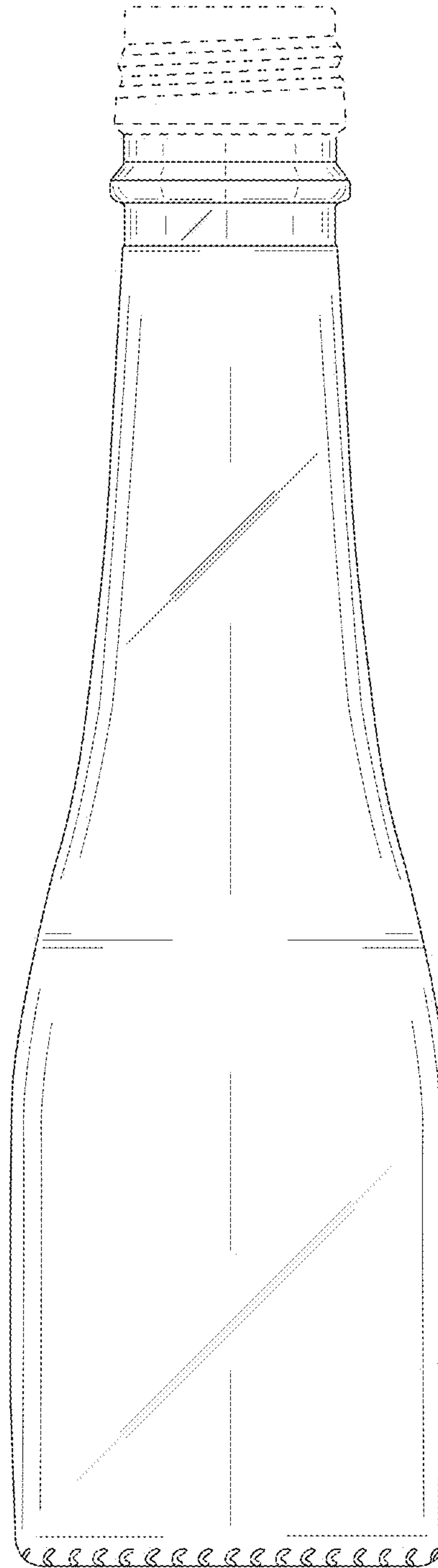


FIG. 8

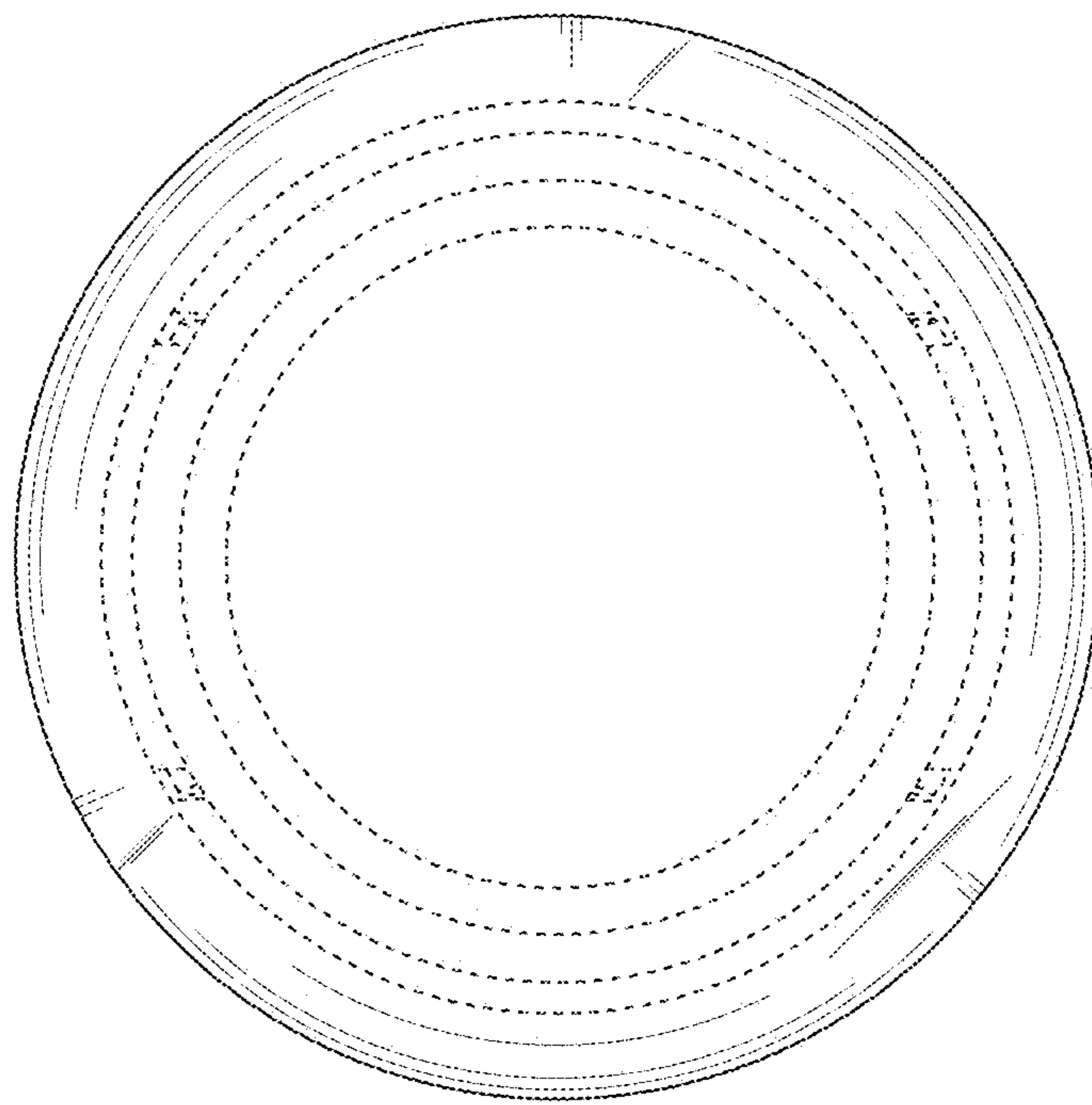


FIG. 9

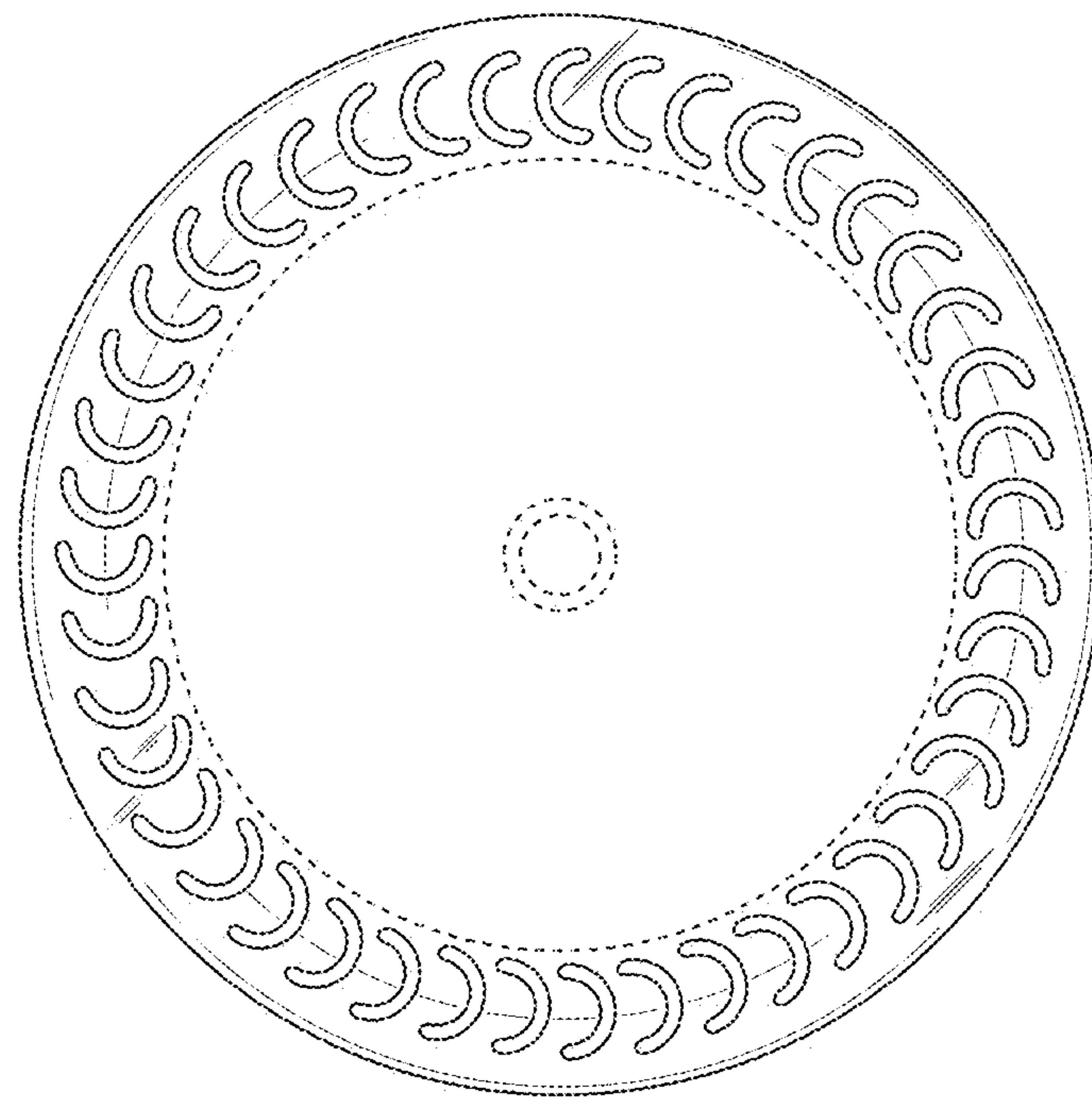


FIG. 10