



US00D927977S

(12) **United States Design Patent** (10) **Patent No.:** **US D927,977 S**
Song (45) **Date of Patent:** **** Aug. 17, 2021**

(54) **DISCHARGE PUMP FOR COSMETIC CONTAINER**

(71) Applicant: **Seon Hye Song**, Gyeonggi-do (KR)

(72) Inventor: **Seon Hye Song**, Gyeonggi-do (KR)

(**) Term: **15 Years**

(21) Appl. No.: **29/705,859**

(22) Filed: **Sep. 16, 2019**

(30) **Foreign Application Priority Data**

Mar. 18, 2019 (KR) 30-2019-0012119

(51) **LOC (13) Cl.** **09-07**

(52) **U.S. Cl.**
USPC **D9/456**

(58) **Field of Classification Search**

USPC D9/417, 424, 428, 434, 435, 439, 440, D9/444, 445, 447, 448, 454, 500, D9/502-504, 516, 519, 529, 549, 558, D9/715; D7/300.1, 387, 388, 391, 392, D7/392.1, 393, 394, 395, 396.1, 396.2, D7/396.6, 397, 398, 403, 509, 510, 511, D7/566, 624.1, 625, 672, 900; D23/207-209, 233-237, 249, 259.2, D23/262-266, 268, 269; D24/121, 127, D24/129, 194, 196; D8/397, 399, 300, D8/303, 330, 354, 356, 382, 396; D13/133, 154; D32/32, 33; D3/203.2
CPC .. B65D 81/2038; B65D 81/20; B65D 85/804; B65D 25/082; B65D 1/00; B65D 1/10; B65D 23/00; B65D 81/3211; B65D 43/0231; B65D 53/02; A61J 1/1418; A61J 1/14; A61J 1/1412; A61M 1/0003; A61M 1/0011; B65B 31/00; B65B 7/28; B65C 11/02; F16L 11/00; F16L 25/01; F16L 17/10; A47J 31/407; A47J 31/00; B67D 3/0019; A23L 2/56; A01G 31/02; A01G 9/0293

See application file for complete search history.

(56) **References Cited**

U.S. PATENT DOCUMENTS

D198,107	S	*	4/1964	McCulloch	D9/439
D216,678	S	*	3/1970	Wilcox	D9/439
D502,925	S	*	3/2005	Chung	D13/154
D792,553	S	*	7/2017	Hierro	D23/209
D798,998	S	*	10/2017	Zou	D23/209
D827,130	S	*	8/2018	Penttila	D24/129

(Continued)

Primary Examiner — Catherine S Posthauer

(74) *Attorney, Agent, or Firm* — Duane Morris LLP

(57) **CLAIM**

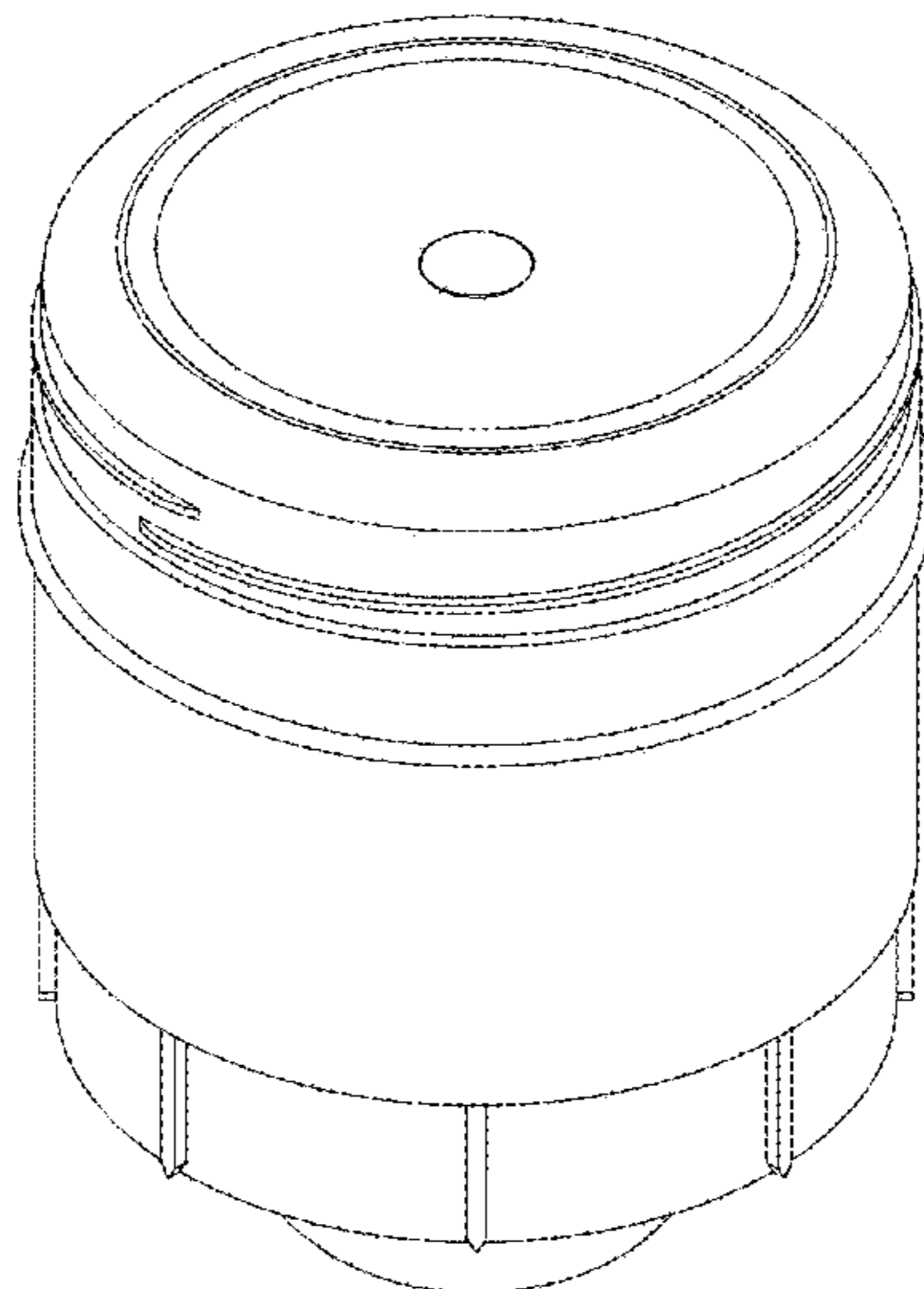
The ornamental design for a discharge pump for cosmetic container, as shown and described.

DESCRIPTION

FIG. 1 is a top, perspective view of the discharge pump for cosmetic container;
FIG. 2 is a front view of the discharge pump for cosmetic container;
FIG. 3 is a rear view of the discharge pump for cosmetic container;
FIG. 4 is a left side view of the discharge pump for cosmetic container;
FIG. 5 is a right side view of the discharge pump for cosmetic container;
FIG. 6 is a top view of the discharge pump for cosmetic container; and,
FIG. 7 is a bottom view of the discharge pump for cosmetic container.

The evenly broken lines represent both parts of the article as well as exemplary environmental subject matter, none of which form part of the claim. The dot-dash lines represent the boundaries of the claim and form no part thereof.

1 Claim, 7 Drawing Sheets



(56)

References Cited

U.S. PATENT DOCUMENTS

D847,945 S * 5/2019 Zhibin B01D 29/114
D23/209
D852,929 S * 7/2019 Nelson D23/209
D861,834 S * 10/2019 Foster D23/249
D873,976 S * 1/2020 Simon D23/262
2006/0130664 A1 * 6/2006 Majer Doglioni .. A47J 31/0642
99/275
2015/0144511 A1 * 5/2015 Hamway B65D 51/2835
206/222
2015/0354182 A1 * 12/2015 Schurle G05D 23/08
4/287
2016/0338912 A1 * 11/2016 Oberlin B65D 47/2031

* cited by examiner

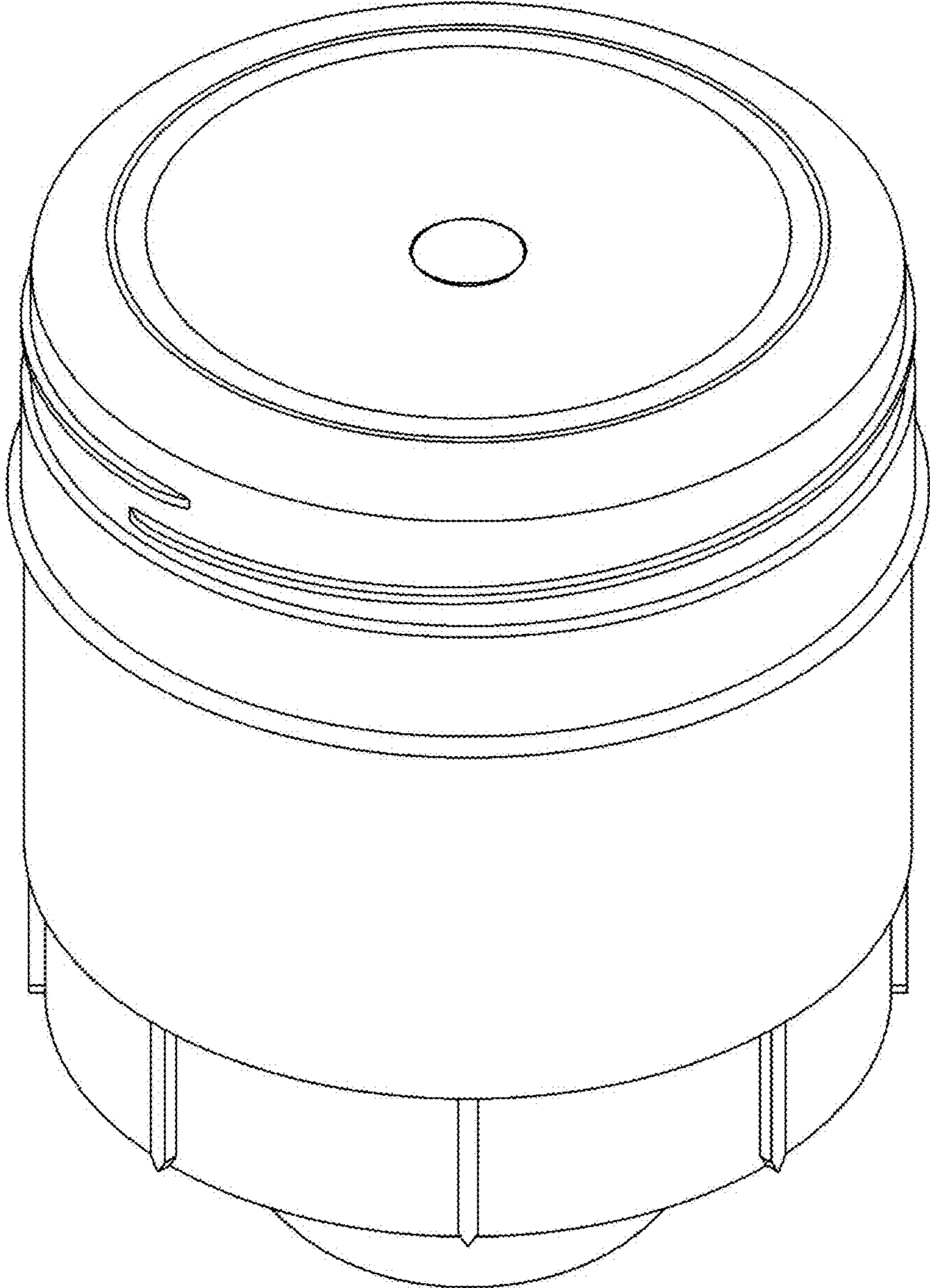


FIG. 1

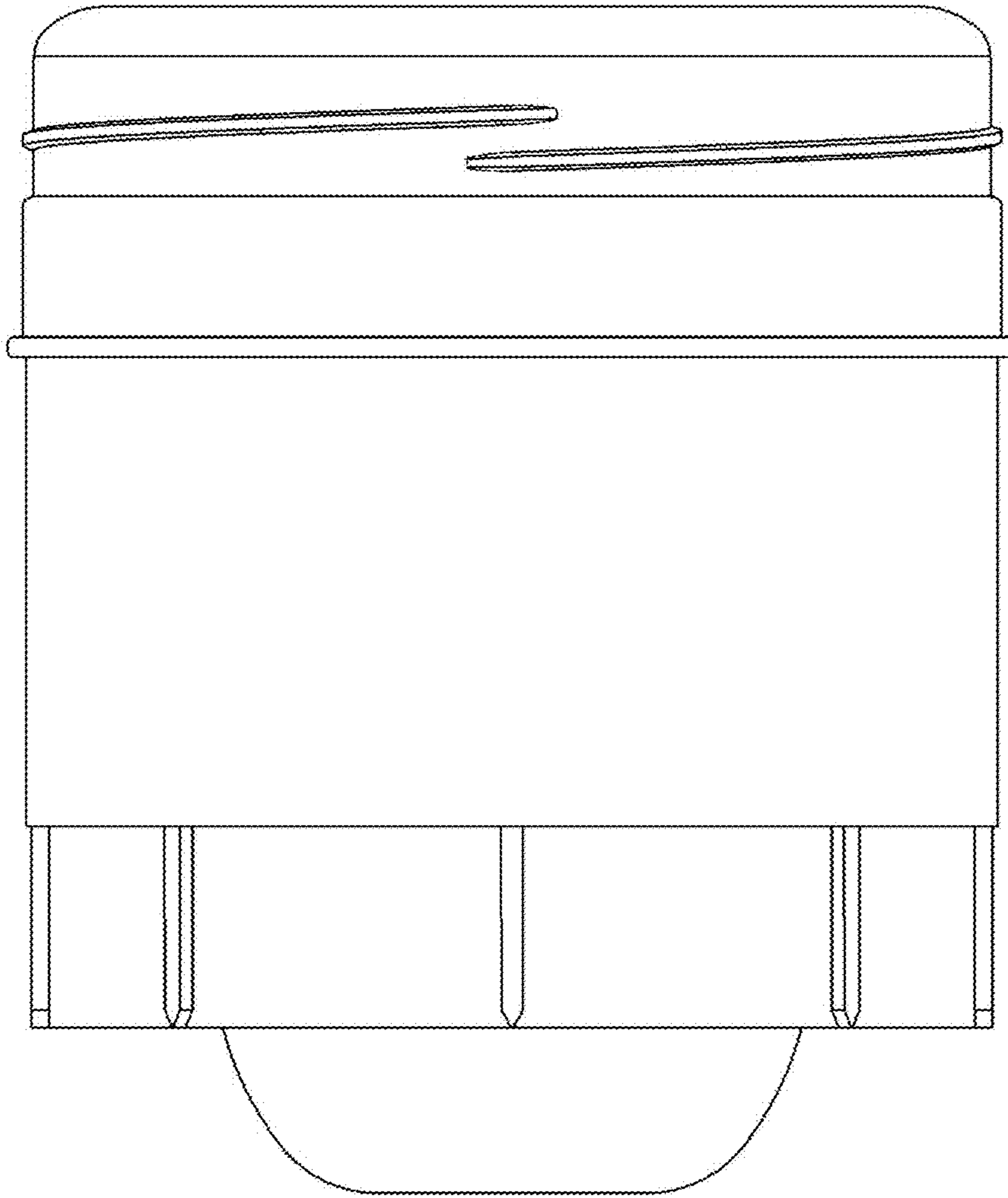


FIG.2

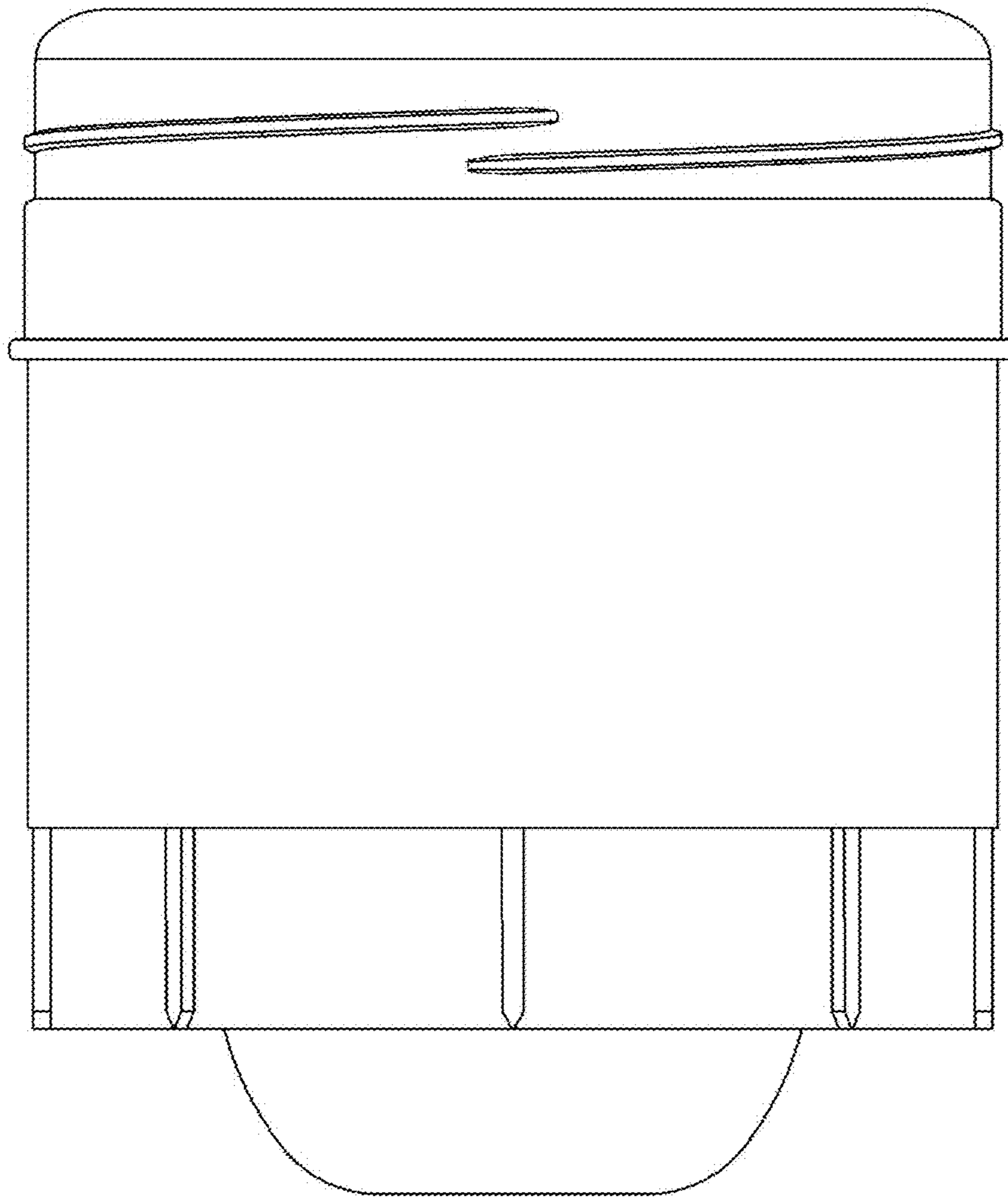


FIG.3

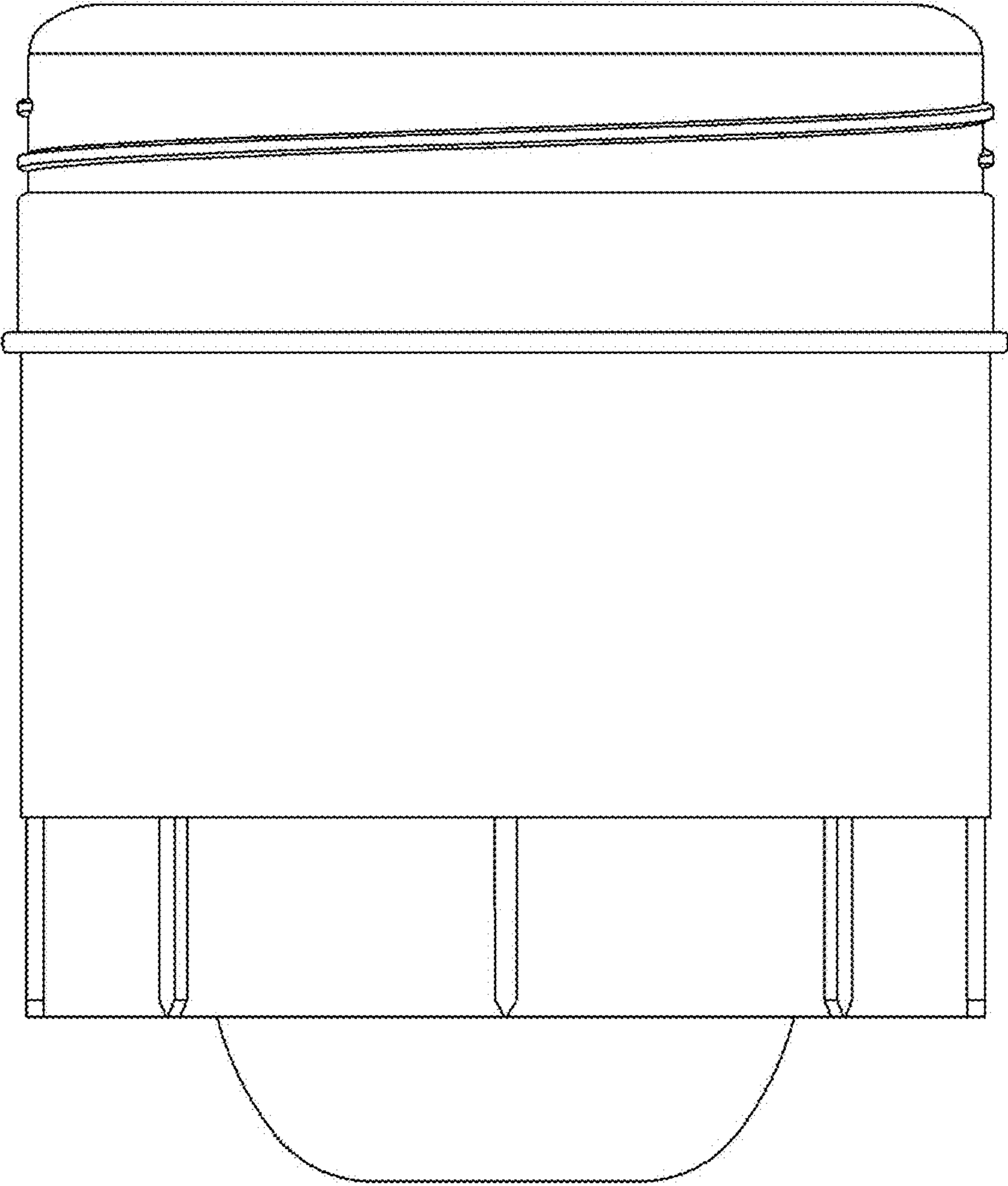


FIG.4

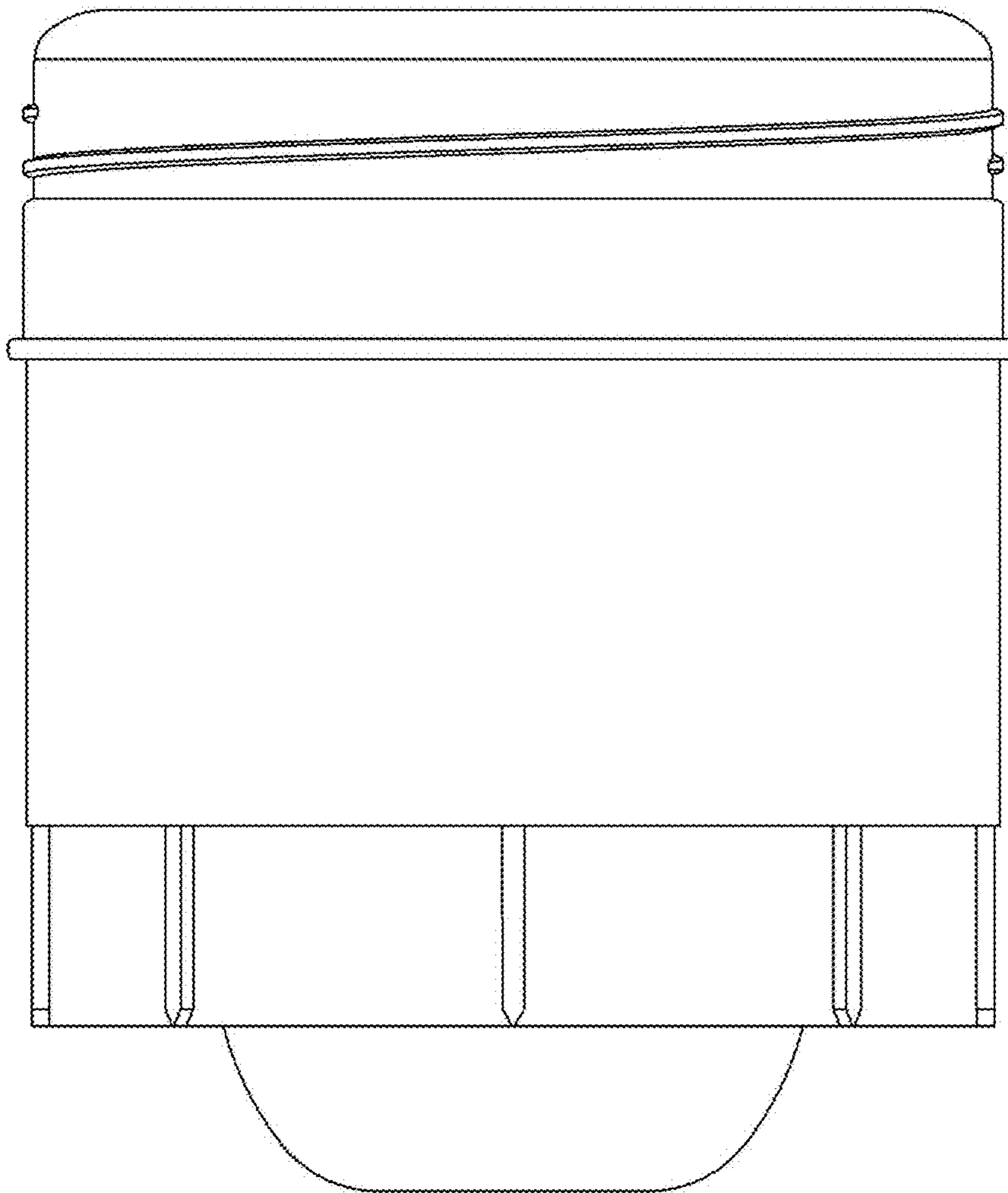


FIG.5

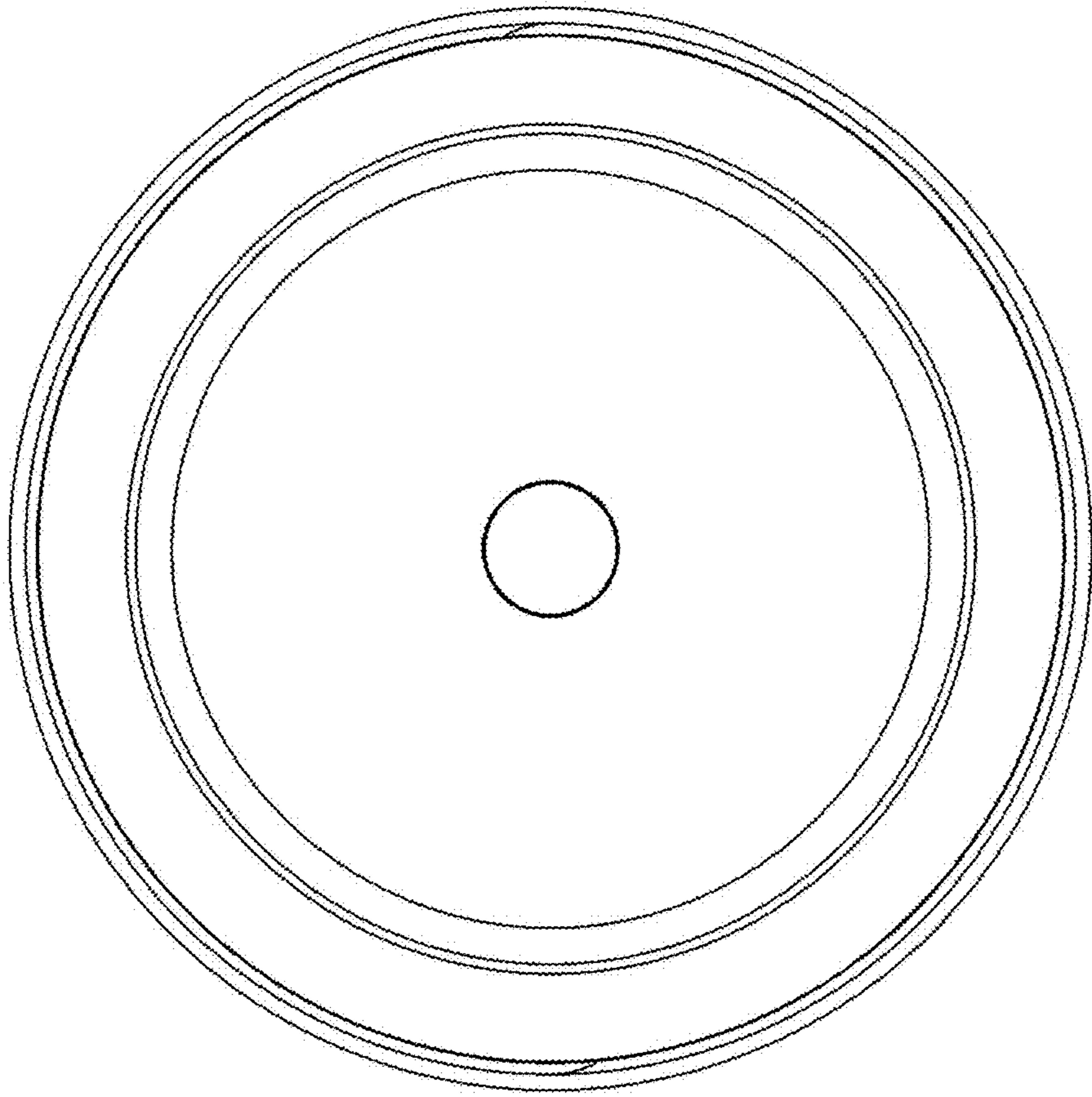


FIG.6

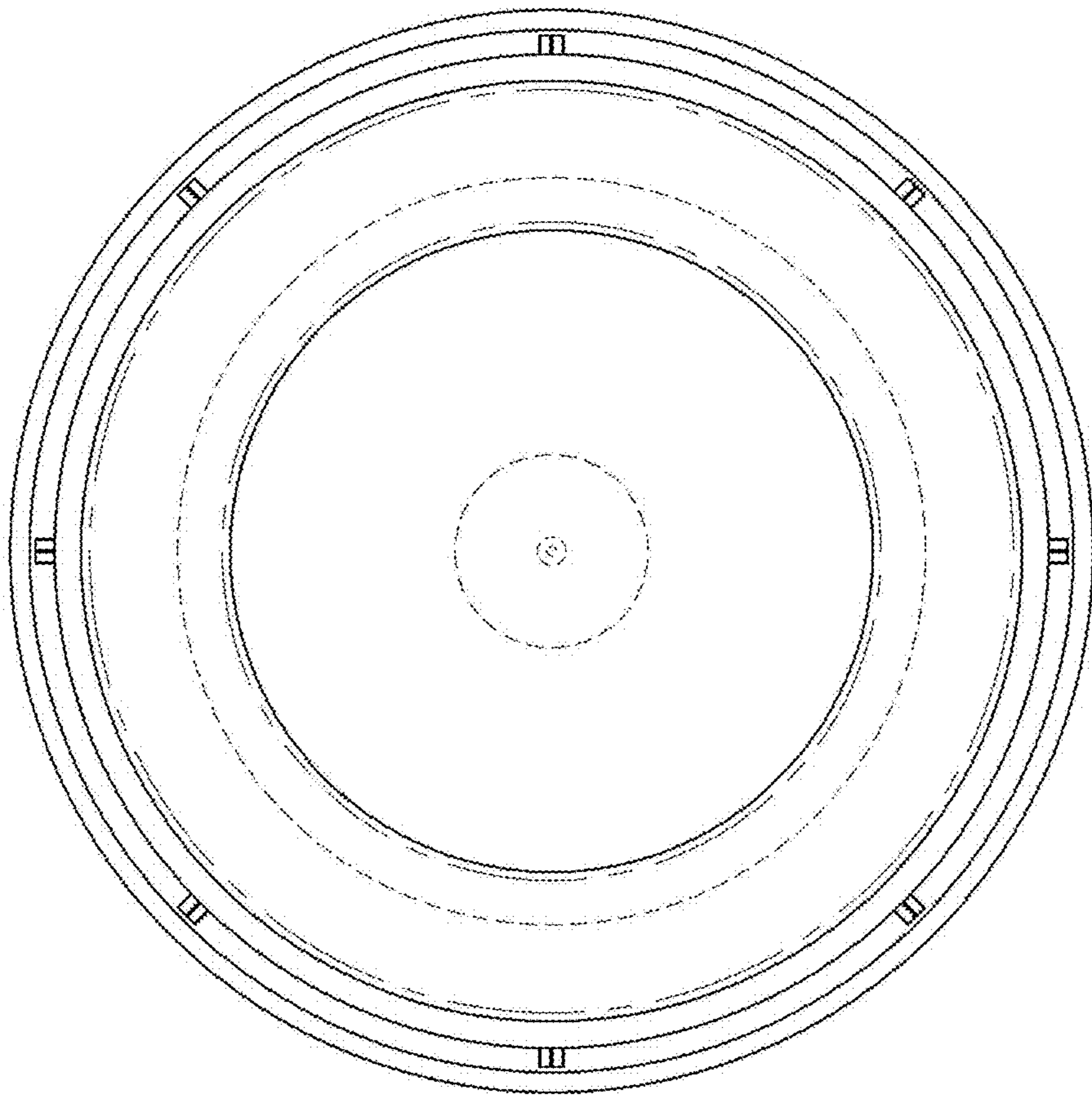


FIG.7