



US00D927976S

(12) **United States Design Patent** (10) **Patent No.:** **US D927,976 S**
Neputy (45) **Date of Patent:** **** *Aug. 17, 2021**

(54) **RATCHETED CLOSURE**

(71) Applicant: **Silgan White Cap LLC**, Downers Grove, IL (US)

(72) Inventor: **Darren Neputy**, Palos Hills, IL (US)

(73) Assignee: **Silgan White Cap LLC**, Downers Grove, IL (US)

(*) Notice: This patent is subject to a terminal disclaimer.

(**) Term: **15 Years**

(21) Appl. No.: **29/700,717**

(22) Filed: **Aug. 5, 2019**

(30) **Foreign Application Priority Data**

Feb. 22, 2019 (MX) MX/f/2019/000531

(51) **LOC (13) Cl.** **09-07**

(52) **U.S. Cl.**
USPC **D9/452**

(58) **Field of Classification Search**

USPC D3/202, 203.1, 203.2, 273, 294, 318;
D7/300, 300.1, 316, 317, 387, 391, 392.1,
D7/393, 396.2, 509, 510, 511, 523,
D7/525-531, 538, 541, 549, 629, 703,
D7/900; D8/349, 350, 352; D9/434-443,
D9/446, 447, 448, 449, 450, 452, 453,
D9/454, 502, 503, 504, 516, 517, 529;
D24/121, 127, 199, 224; D28/7, 76, 78,
(Continued)

(56) **References Cited**

U.S. PATENT DOCUMENTS

829,341 A * 8/1906 Kirkegaard B65D 51/243
215/305
1,096,613 A * 5/1914 Ernst et al. B65D 51/243
215/304

(Continued)

Primary Examiner — Catherine S Posthauer

(74) *Attorney, Agent, or Firm* — Reinhart Boerner Van Deuren s.c.

(57) **CLAIM**

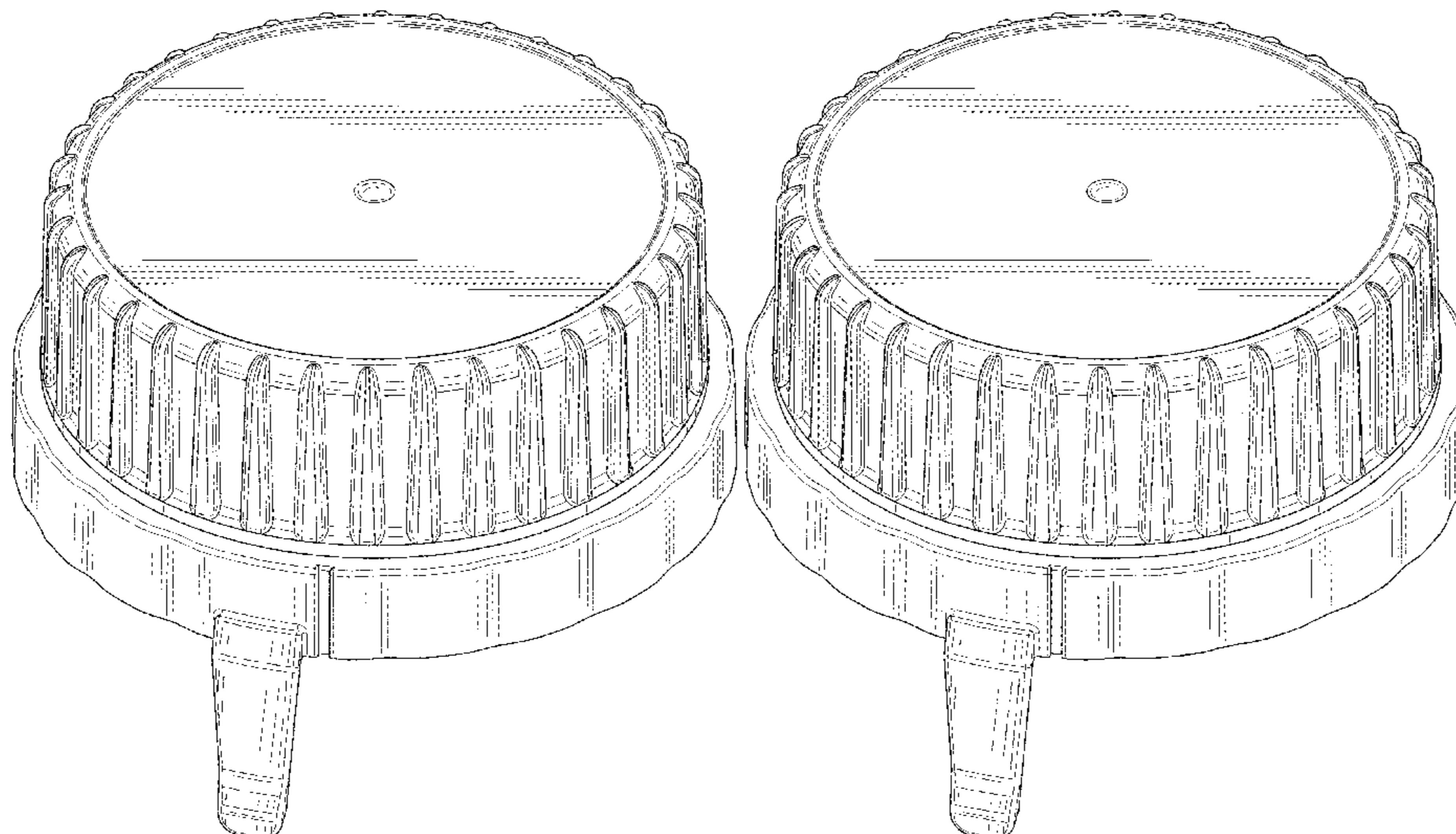
I claim the ornamental design for a ratcheted closure, as shown and described.

DESCRIPTION

FIG. 1 is a top perspective view of a first embodiment of a ratcheted closure, showing my new design; FIG. 2 is a bottom perspective view of FIG. 1; FIG. 3 is a front view of FIG. 1; FIG. 4 is a back view of FIG. 1; FIG. 5 is a right side view of FIG. 1; FIG. 6 is a left side view of FIG. 1; FIG. 7 is a top view of FIG. 1; FIG. 8 is a bottom view of FIG. 1; FIG. 9 is a cross-sectional view thereof, taken in the direction of line 9-9 on FIG. 7; FIG. 10 is a top perspective view of a second embodiment of a ratcheted closure showing my new design; FIG. 11 is a bottom perspective view of FIG. 10; FIG. 12 is a front view of FIG. 10; FIG. 13 is a back view of FIG. 10; FIG. 14 is a right side view of FIG. 10; FIG. 15 is a left side view of FIG. 10; FIG. 16 is a top view of FIG. 10; FIG. 17 is a bottom view of FIG. 10; and, FIG. 18 is a cross-sectional view thereof, taken in the direction of line 18-18 on FIG. 16.

The ornamental design which is claimed is shown in solid lines in the drawings. The broken lines shown from FIGS. 11, 17 and 18 are shown for the purpose of illustrating parts of the article that form no part of the claimed design.

1 Claim, 18 Drawing Sheets



US D927,976 S

Page 2

(58) **Field of Classification Search**

USPC D28/82, 85, 91; D26/36, 123, 124;
D35/1, 7, 10, 11, 39
CPC B65D 50/041; B65D 23/00; B65D 1/00;
B65D 1/02; B65D 1/0223; B65D
2501/00; B65D 2501/0009; B65D 83/06;
B65D 41/32; B65D 41/48; B65D 77/10;
B65D 77/20; B65D 2577/205; B65D
2251/0015; B65D 2251/0093

See application file for complete search history.

(56)

References Cited

U.S. PATENT DOCUMENTS

2,433,629 A * 12/1947 Shannon B65D 51/243
215/305
5,190,178 A * 3/1993 Luch B65D 1/023
215/256
5,213,224 A * 5/1993 Luch B65D 1/023
215/256

D358,769 S * 5/1995 Luch D9/438
D359,685 S * 6/1995 Luch D9/438
5,593,055 A * 1/1997 Repp B65D 1/023
215/256
5,630,520 A * 5/1997 Luch B65D 1/023
215/256
6,082,567 A * 7/2000 Bietzer B65D 41/485
215/256
7,007,816 B2 * 3/2006 Verderber B65D 41/185
215/254
D542,656 S * 5/2007 Szczesniak D9/452
D633,386 S * 3/2011 Taber D9/453
2002/0195415 A1 * 12/2002 Kim B65D 41/48
215/254
2005/0269282 A1 * 12/2005 Luch B65D 41/17
215/256
2007/0221672 A1 * 9/2007 Kim B65D 41/48
220/270
2011/0290755 A1 * 12/2011 Taber B65D 41/0485
215/329

* cited by examiner

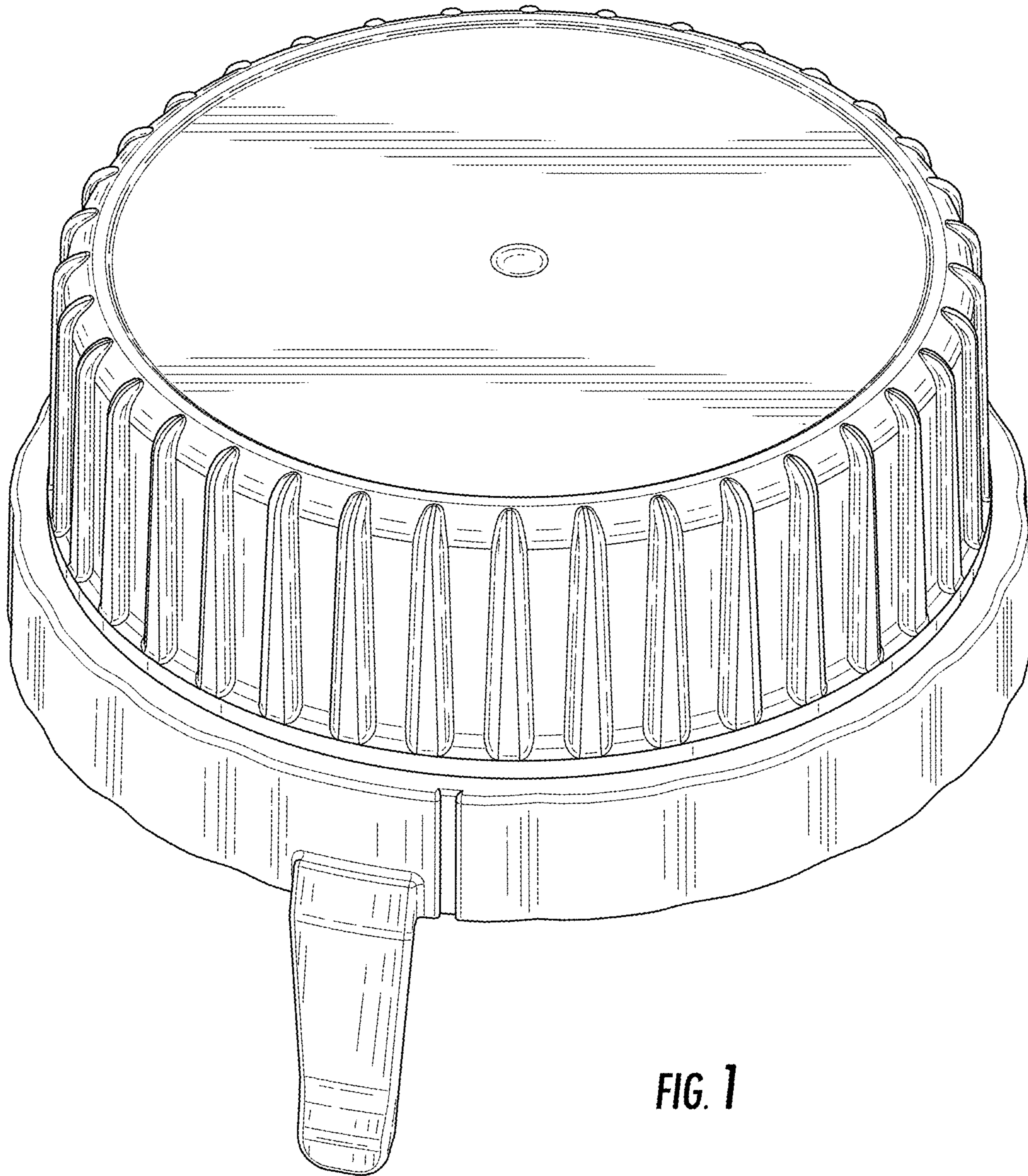


FIG. 1

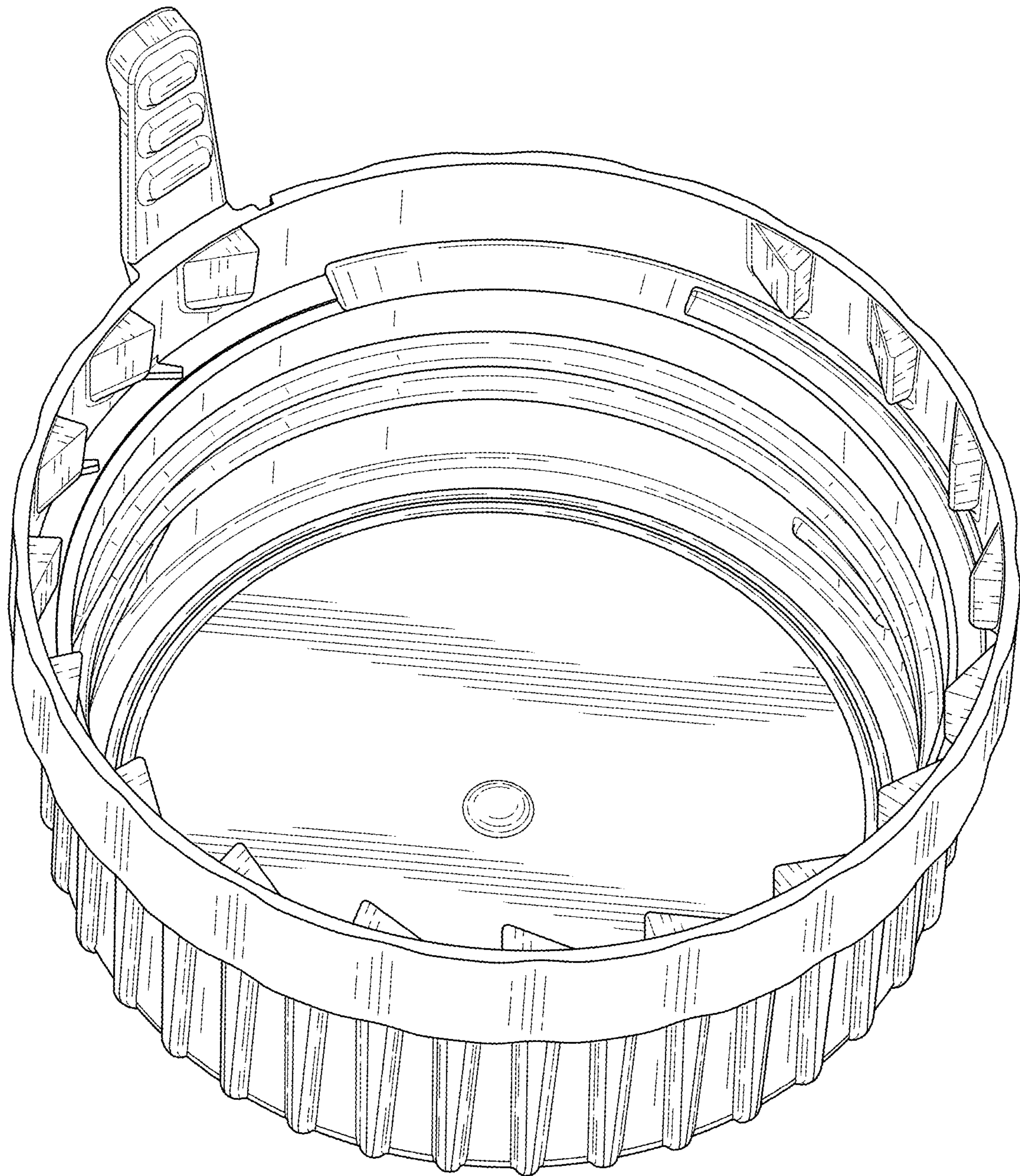


FIG. 2

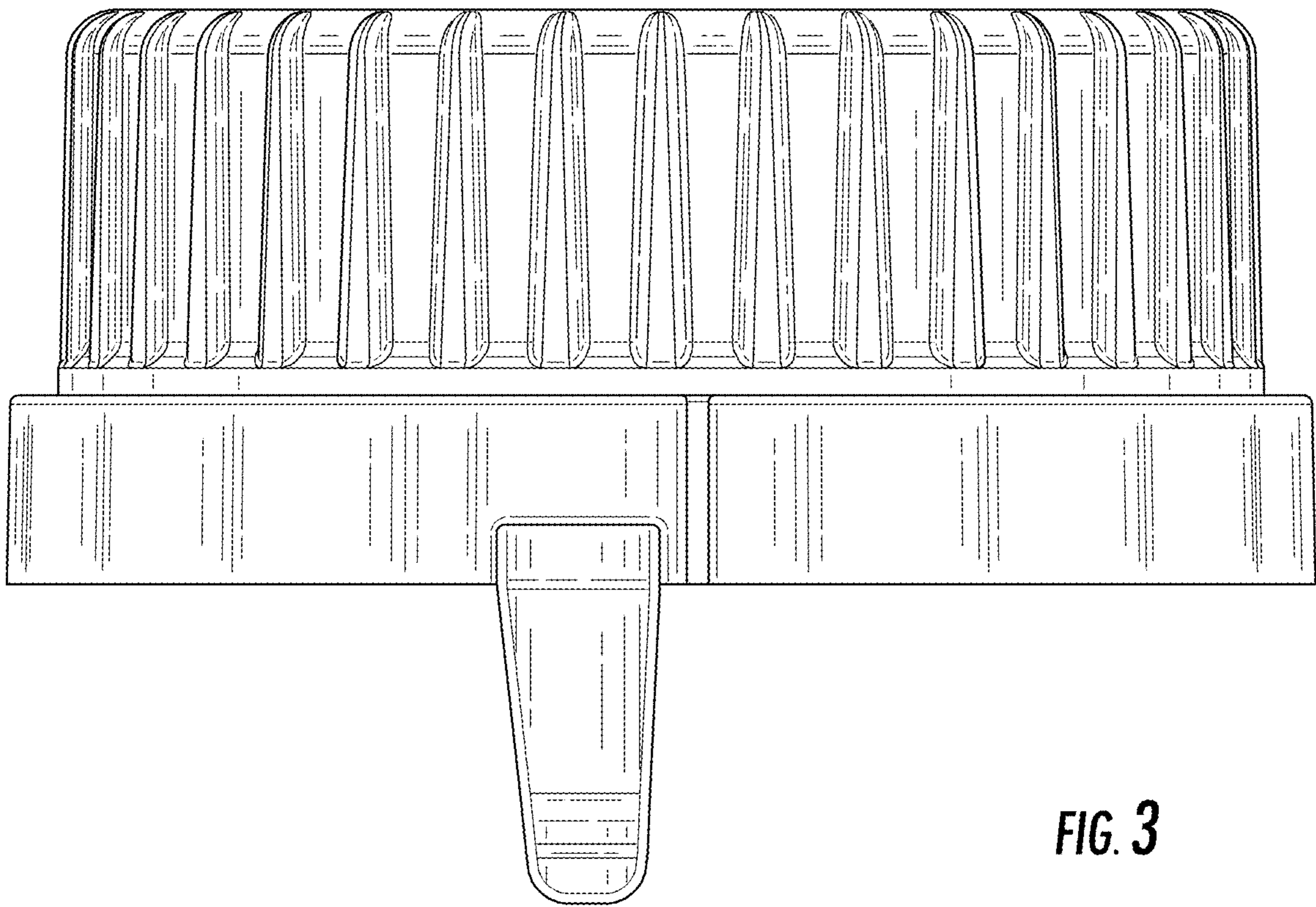


FIG. 3

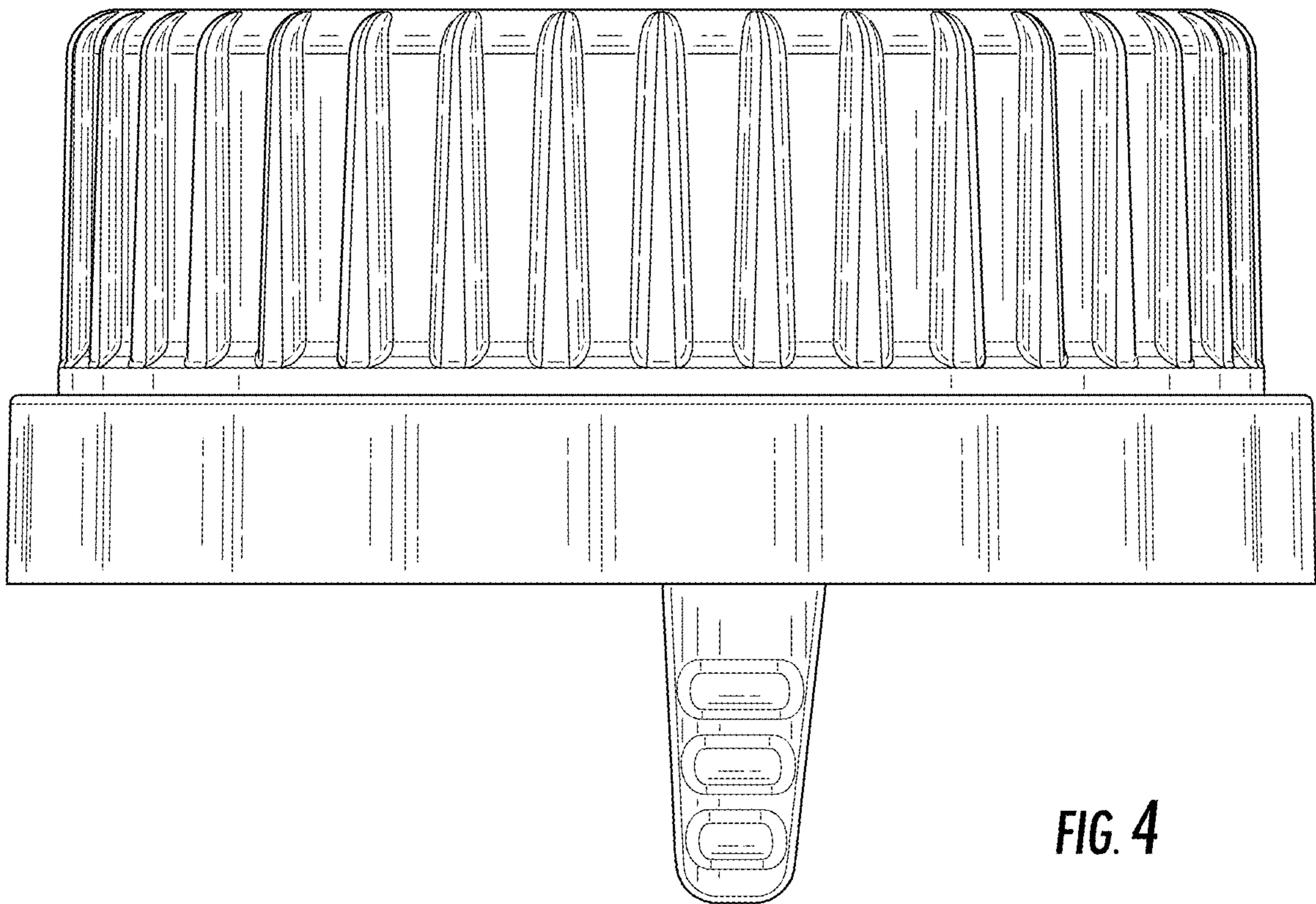


FIG. 4

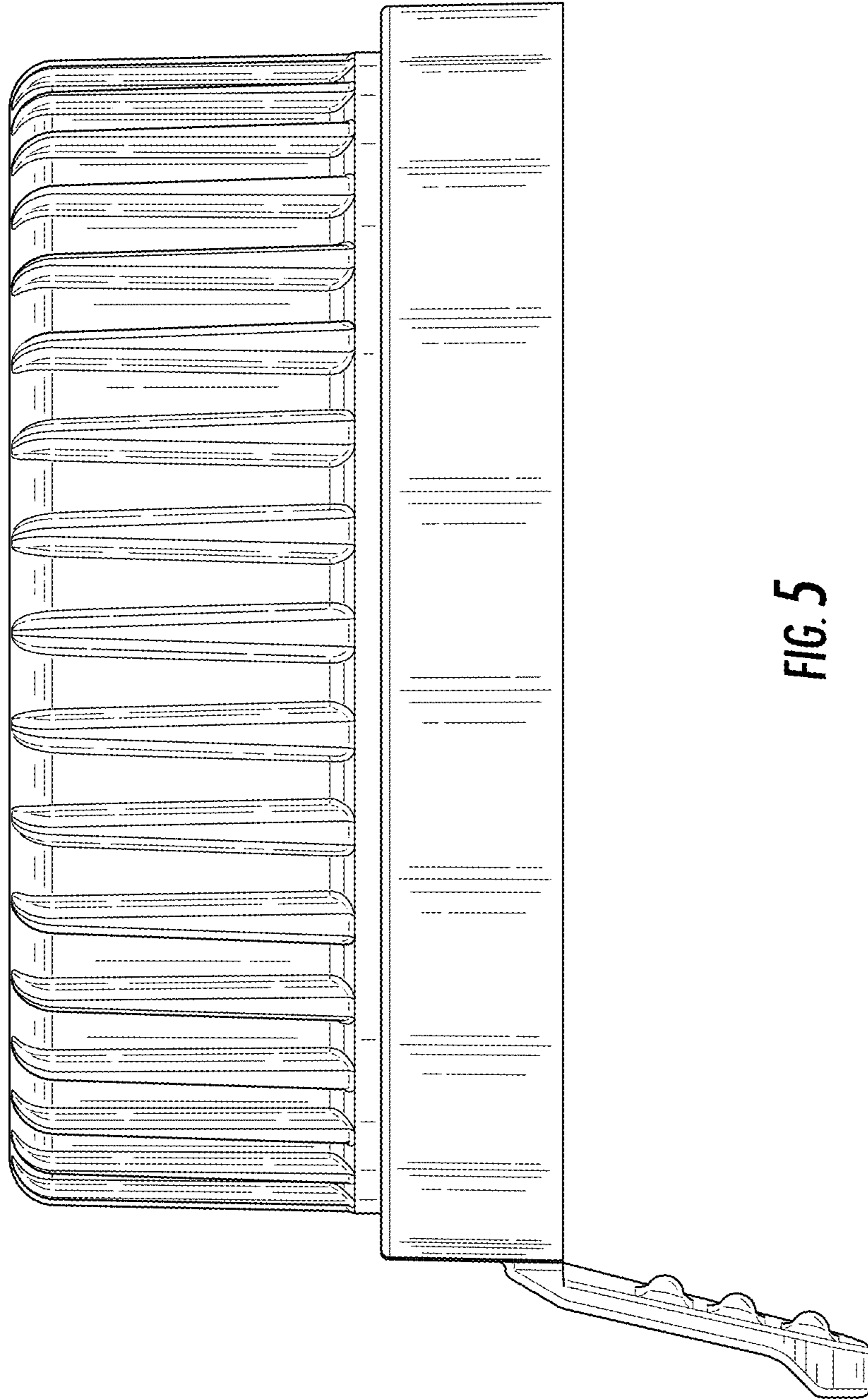


FIG. 5

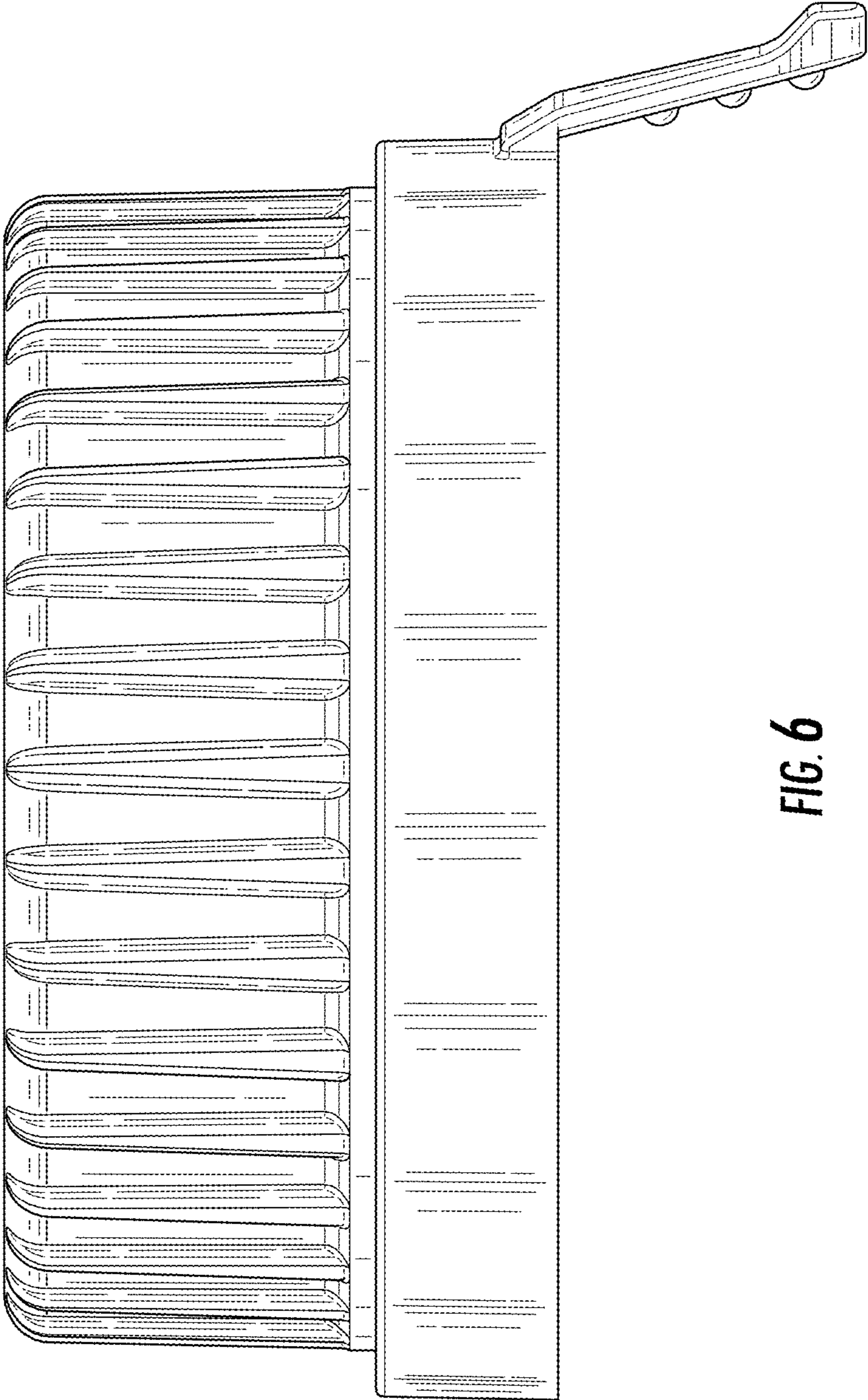


FIG. 6

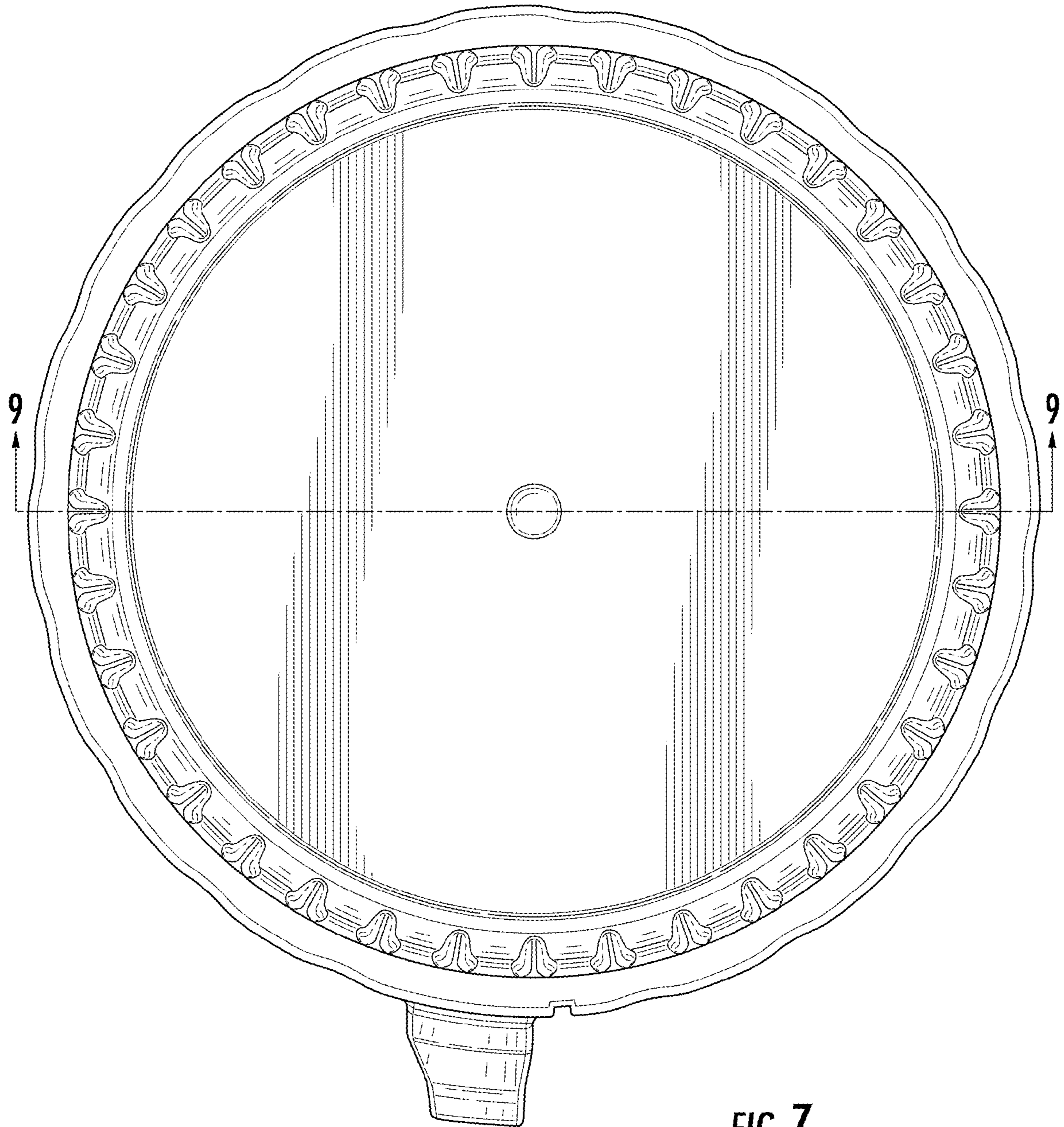


FIG. 7

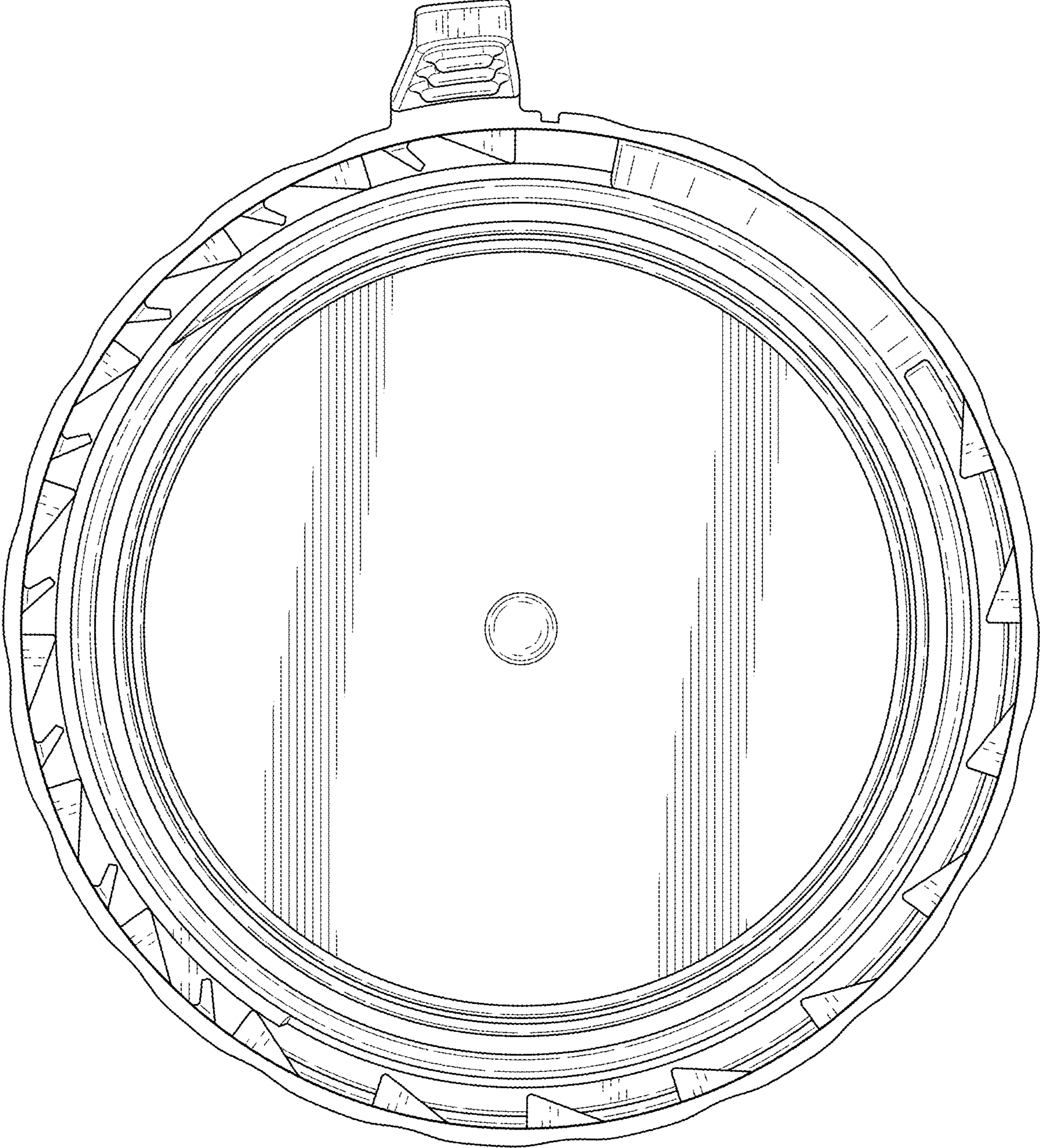


FIG. 8

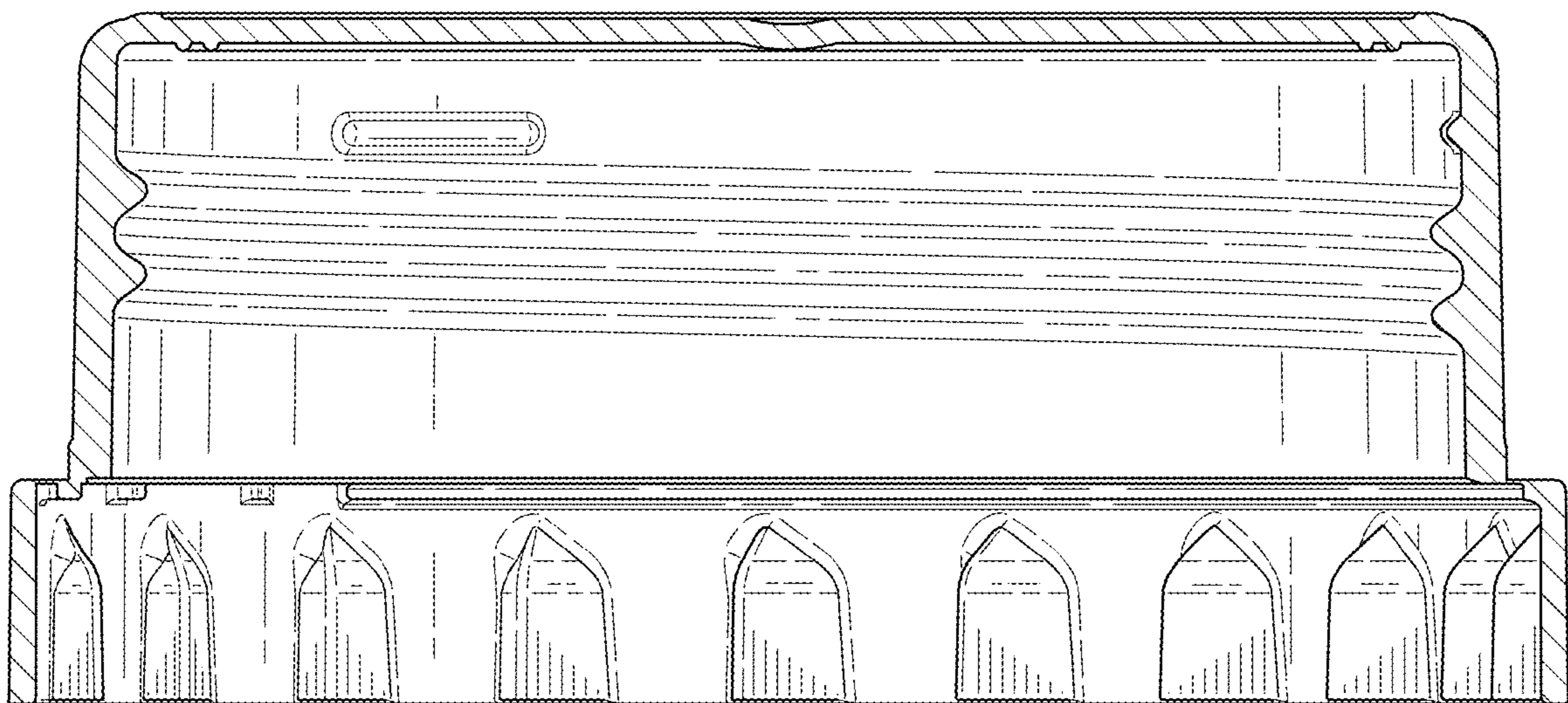


FIG. 9

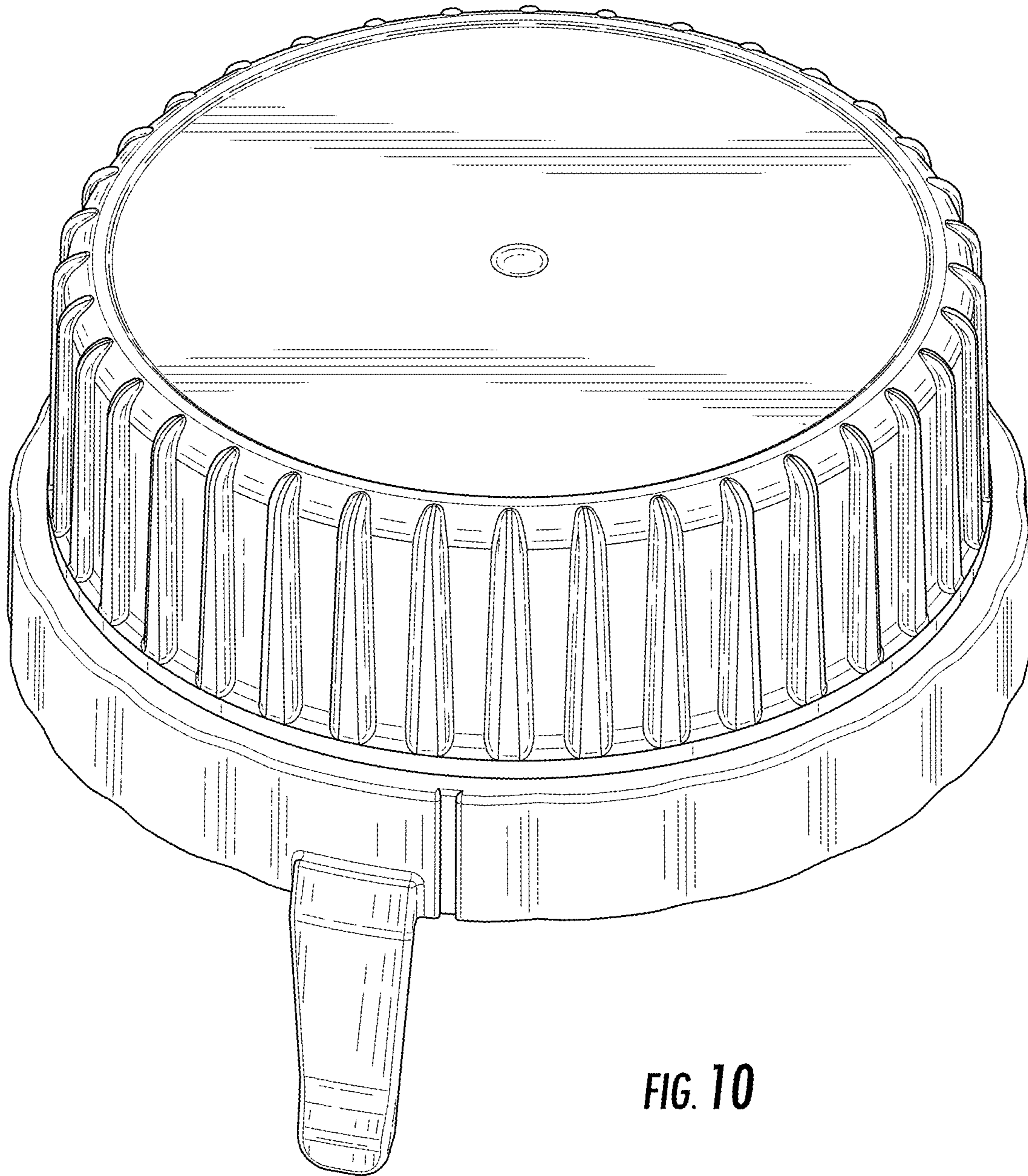


FIG. 10

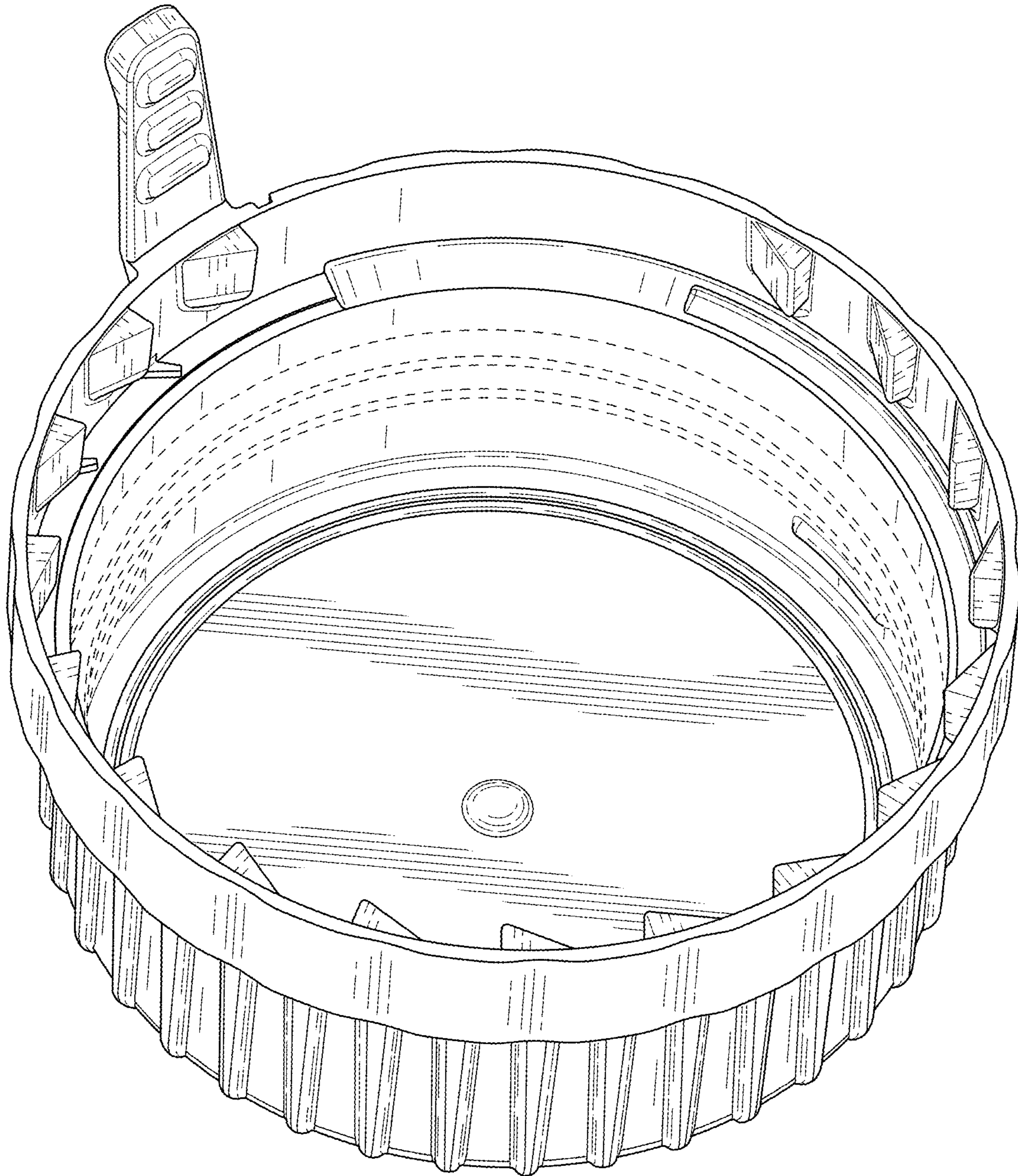


FIG. 11

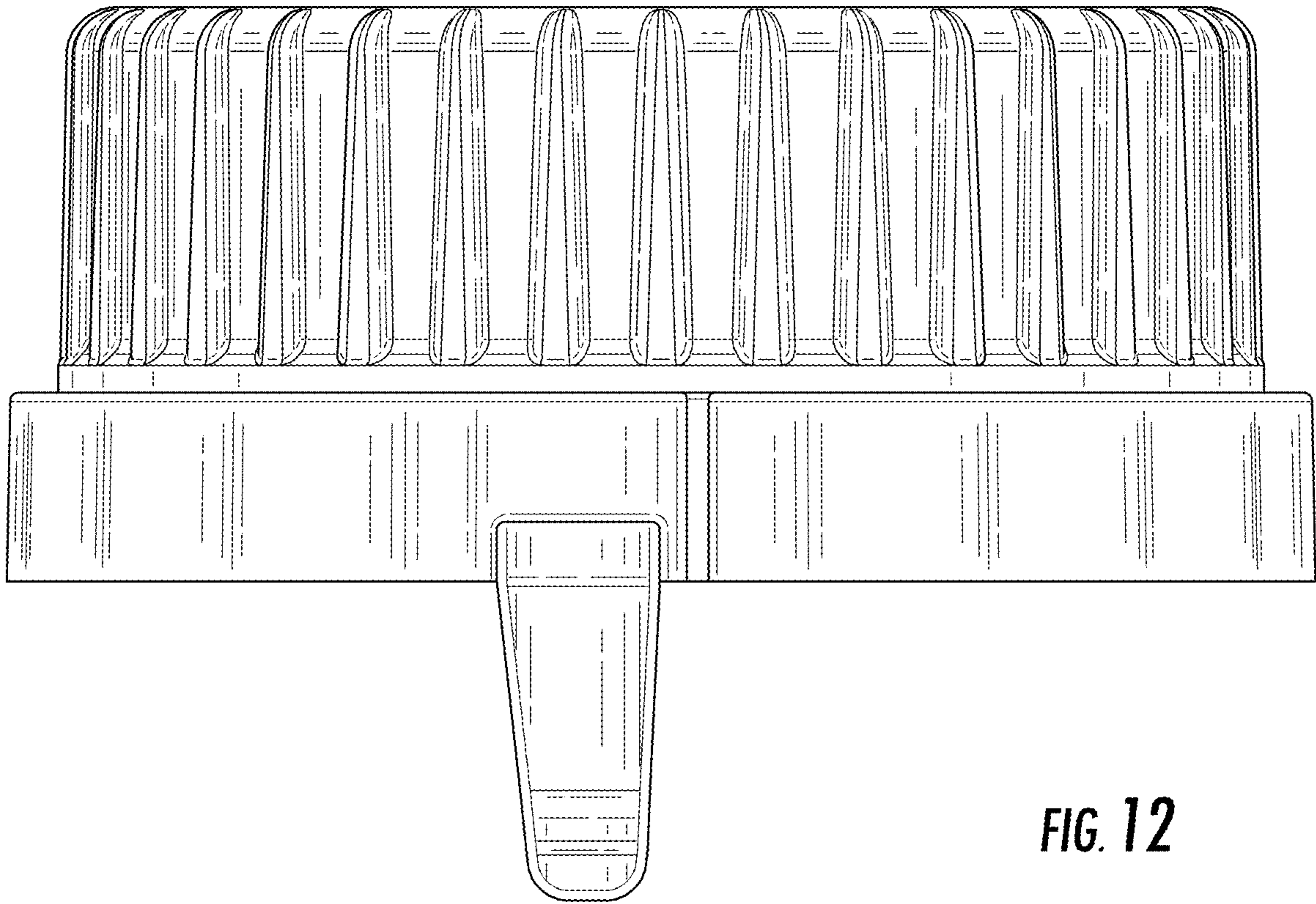


FIG. 12

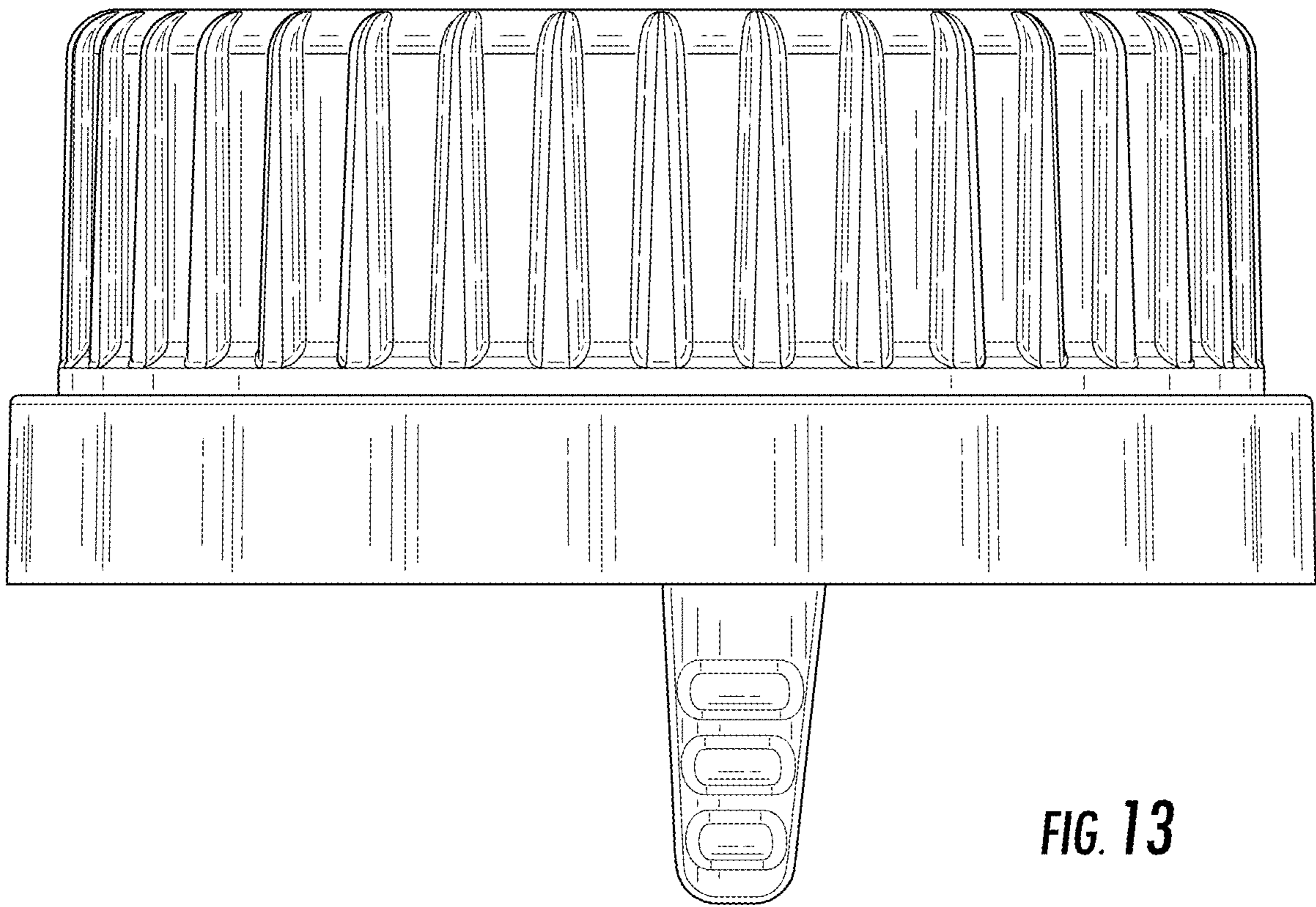


FIG. 13

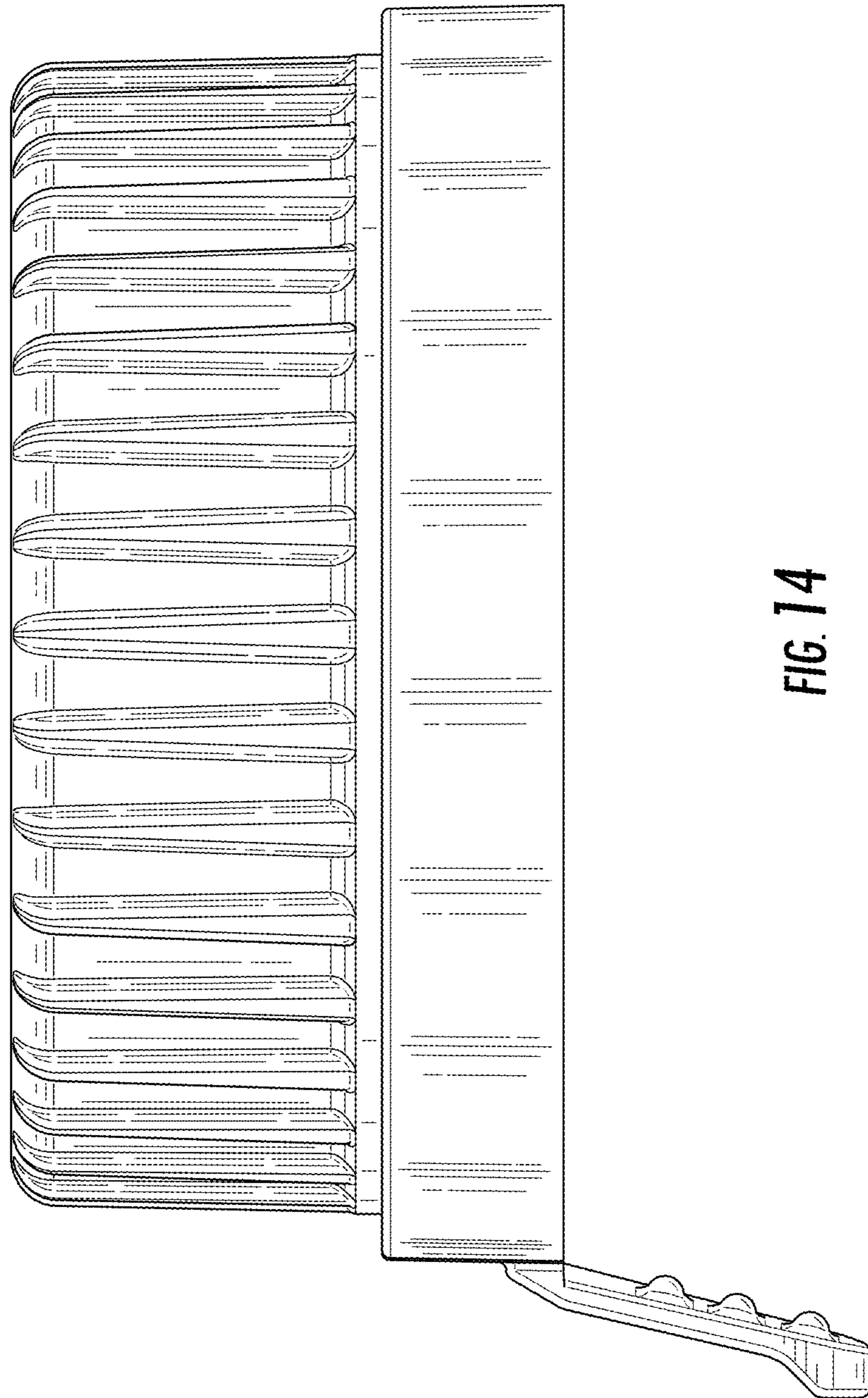


FIG. 14

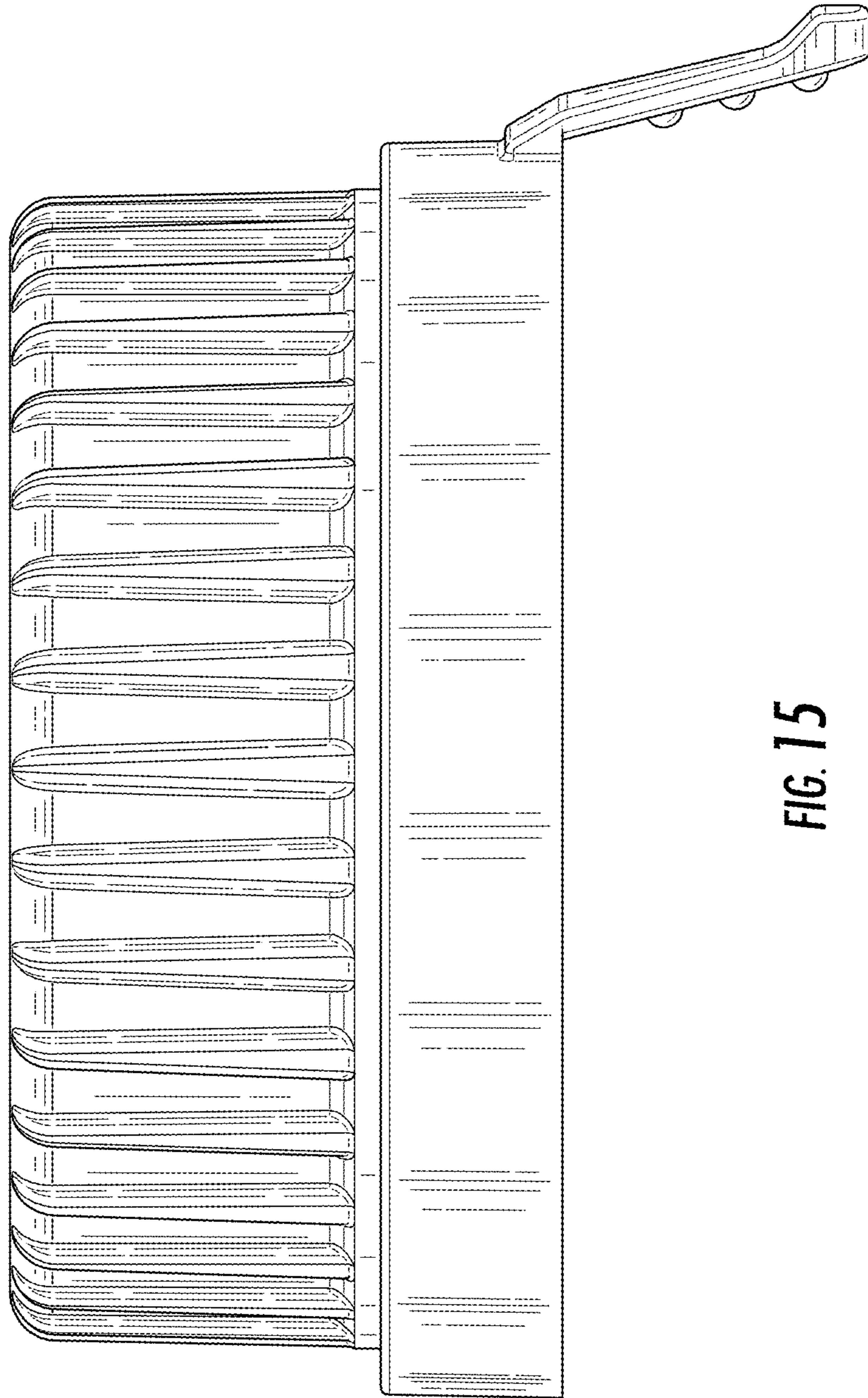


FIG. 15

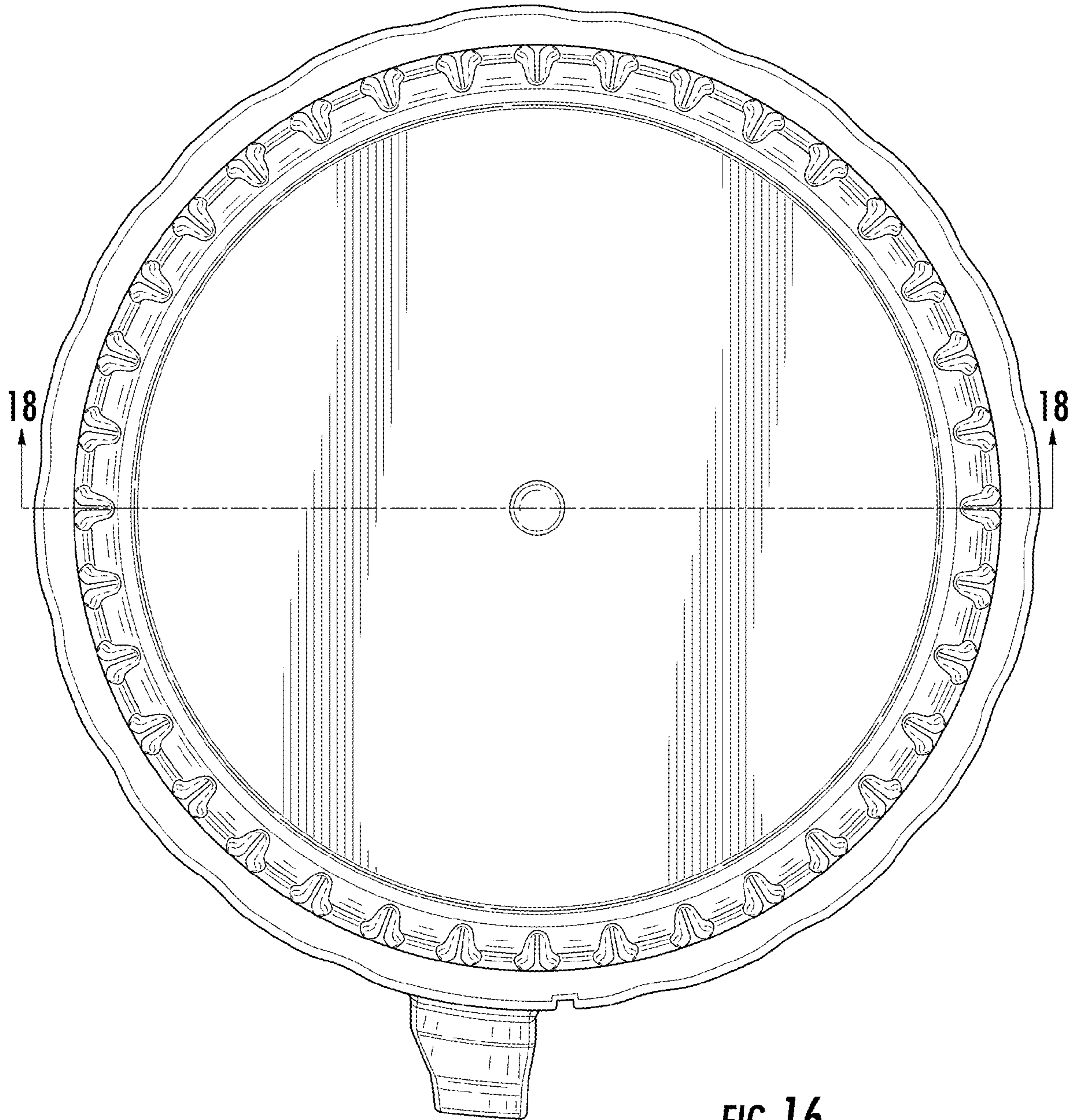


FIG. 16

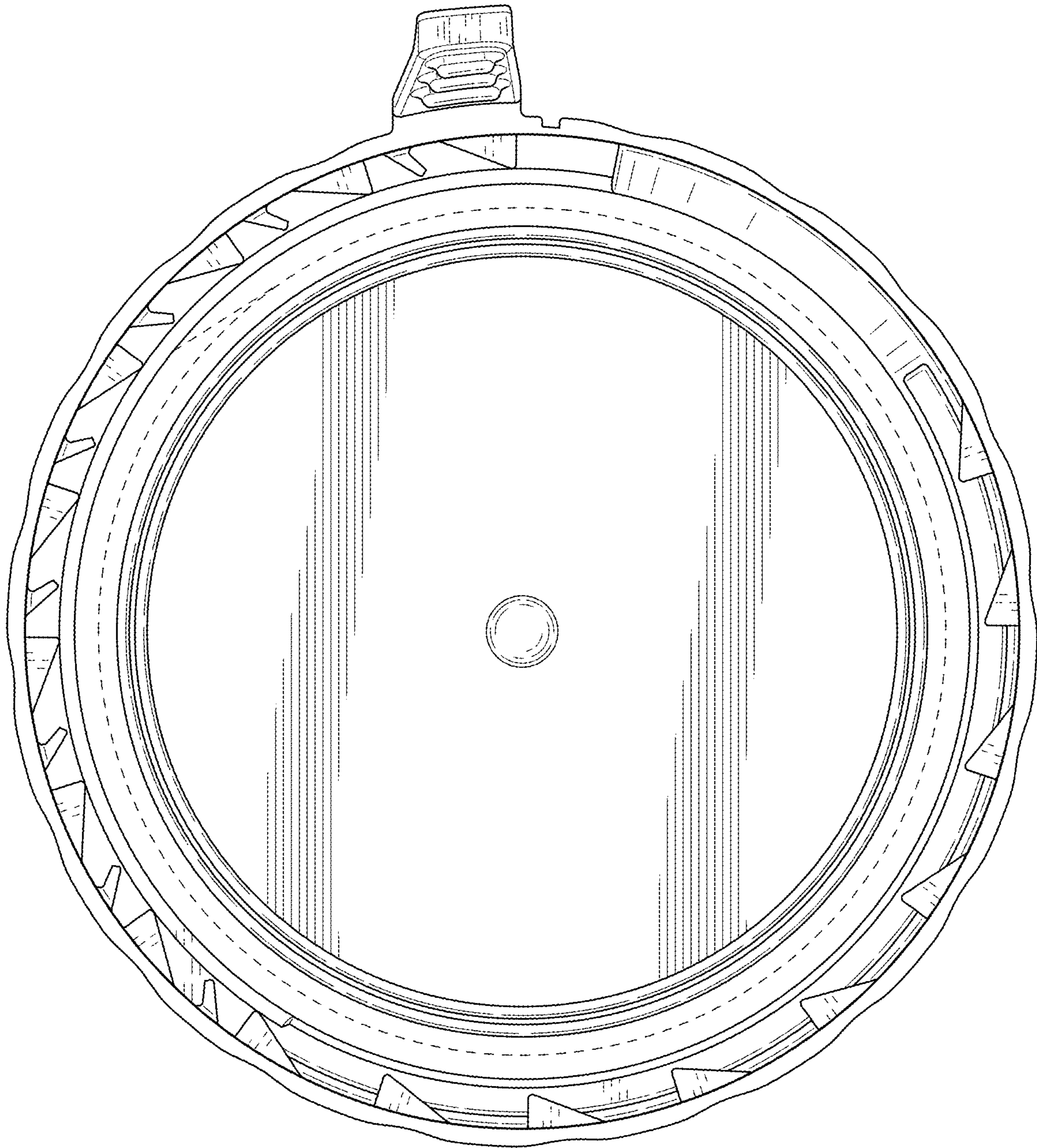


FIG. 17

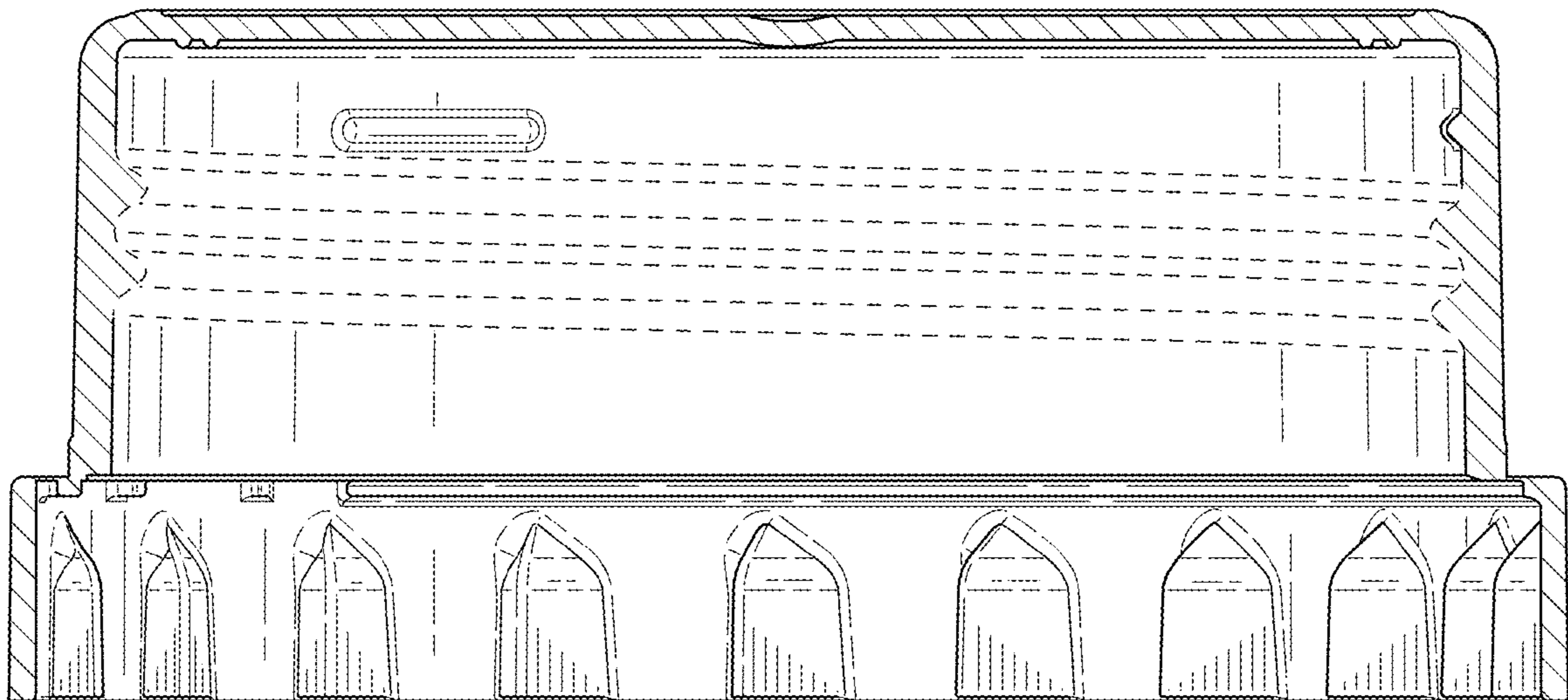


FIG. 18