



US00D927975S

(12) **United States Design Patent**
Hole

(10) **Patent No.:** **US D927,975 S**

(45) **Date of Patent:** **** Aug. 17, 2021**

(54) **SCREW CAP**

(71) Applicant: **Cell Projects Limited**, Harrietsham
(GB)

(72) Inventor: **Thomas Albert Hole**, Harrietsham
(GB)

(73) Assignee: **CELL PROJECTS LIMITED**,
Harrietsham (GB)

(**) Term: **15 Years**

(21) Appl. No.: **29/670,756**

(22) Filed: **Nov. 19, 2018**

(51) **LOC (13) Cl.** **09-07**

(52) **U.S. Cl.**
USPC **D9/452**

(58) **Field of Classification Search**

USPC D9/503, 504, 505, 516, 529, 545, 548,
D9/549, 726, 695, 696, 707, 708, 712,
D9/434, 435, 436, 439, 440, 448, 453,
D9/447, 723, 724, 727, 452; D7/387,
D7/391, 392, 392.1, 396.1, 396.2, 397,
D7/398, 401.1, 415; D19/115, 192, 194;
D23/213, 226, 249, 255; D24/111, 112,
D24/119, 127, 130, 141, 169, 193, 194,
D24/196, 197, 199, 222, 224
CPC ... F16M 11/08; G03B 11/041; B05B 11/0027;
B05B 11/0032; B05B 11/3004; B05B
11/3015; B05B 11/306; B05B 11/3064;
B05B 11/3059; B65B 29/06; B65B 1/04;
B65D 25/48; B65D 2543/00046; B65D
2543/00092; B65D 43/0222; B65D
47/103; A47G 19/2272; A61J 1/06; A61J
1/065; A61J 1/2093; A61J 1/201

See application file for complete search history.

(56) **References Cited**

U.S. PATENT DOCUMENTS

D134,562 S * 12/1942 Murphy D23/213
D226,765 S * 4/1973 Ward D23/213

D261,677 S * 11/1981 Neeley D24/112
D267,546 S * 1/1983 Manlove D9/445
D267,547 S * 1/1983 Nightingale, III D9/453
D274,132 S * 6/1984 Nightingale, III D9/453
D284,555 S * 7/1986 Schornagel D9/453
D306,267 S * 2/1990 Stewart D7/401.1
D419,069 S * 1/2000 Beck D9/443
D442,090 S * 5/2001 Jackson D9/453
D444,064 S * 6/2001 Crawford D9/439
D483,862 S * 12/2003 Rawlings D24/119
D515,920 S * 2/2006 Groh D9/448
D527,632 S * 9/2006 Romer D9/453
D631,350 S * 1/2011 Beach D9/453
D634,024 S * 3/2011 Karpiloff D24/224
D674,878 S * 1/2013 Jones D23/213
D677,379 S * 3/2013 Orsing D24/108
D690,433 S * 9/2013 Karpiloff D24/224
D739,239 S * 9/2015 Seifer D9/453
D744,856 S * 12/2015 Stabinsky D9/719
D810,507 S * 2/2018 Gaeta D7/397
D817,455 S * 5/2018 Bergum D23/249

(Continued)

Primary Examiner — Catherine S Posthauer

(74) *Attorney, Agent, or Firm* — Crose Law LLC;
Bradley D. Crose

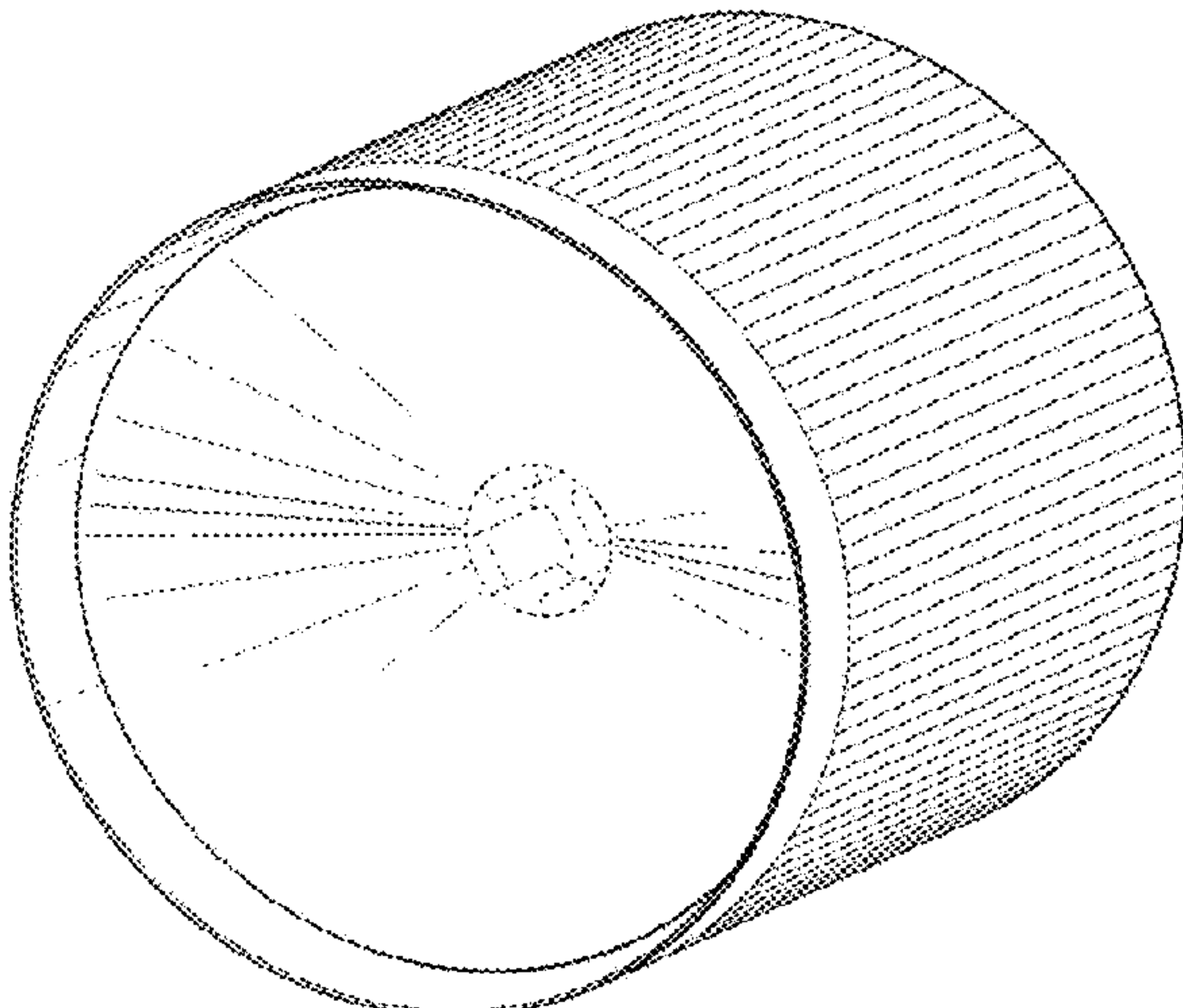
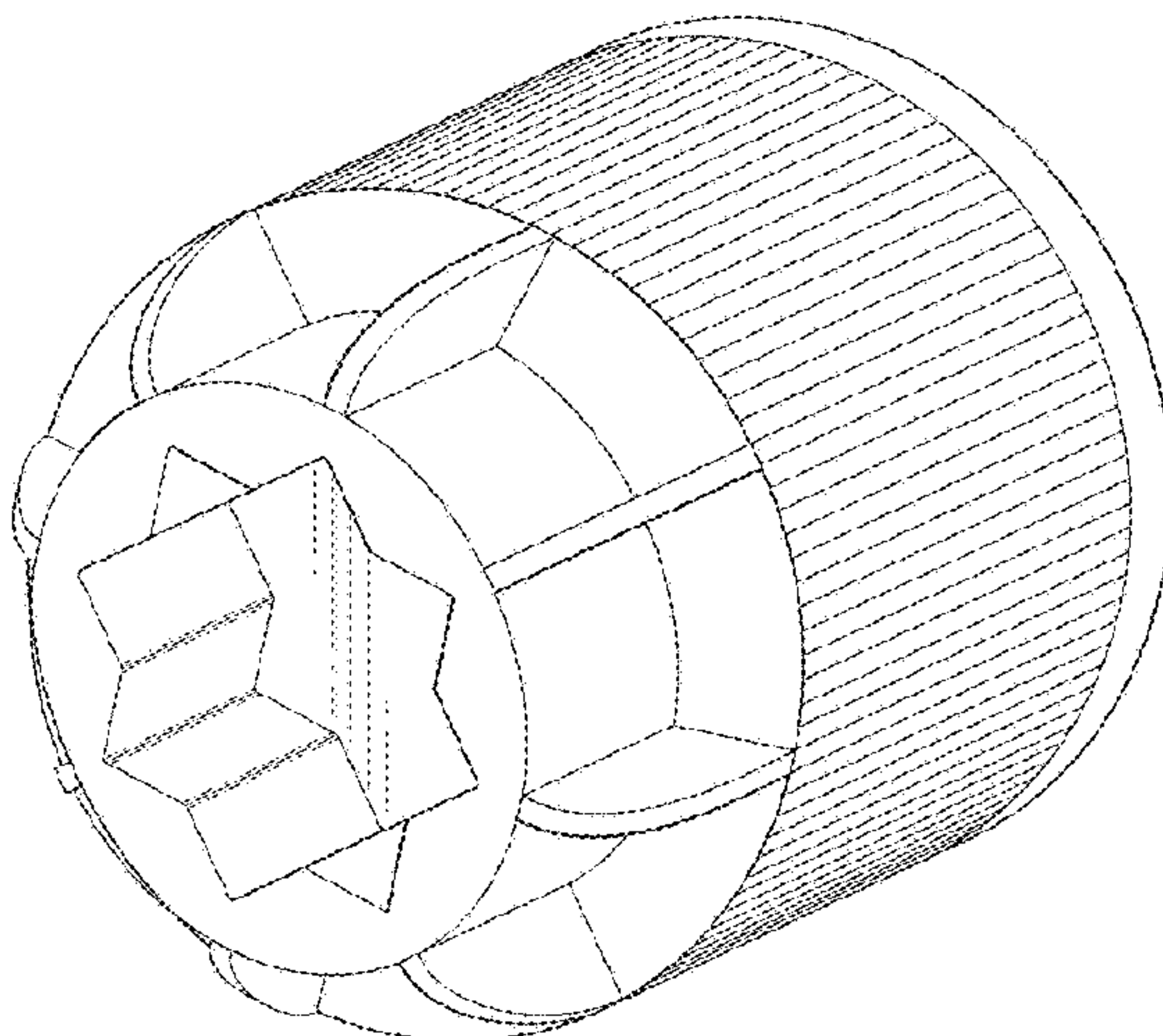
(57) **CLAIM**

The ornamental design for a screw cap, as shown and described.

DESCRIPTION

FIG. 1 is a side view of a screw cap, showing my design;
FIG. 2 is a top view thereof;
FIG. 3 is a bottom view thereof;
FIG. 4 is a top perspective view thereof; and,
FIG. 5 is a bottom perspective view thereof.
The broken lines shown in the drawings illustrate portions of the screw cap and form no part of the claimed design.

1 Claim, 5 Drawing Sheets



(56)

References Cited

U.S. PATENT DOCUMENTS

D824,027	S	*	7/2018	Flores	D24/140
D840,189	S	*	2/2019	Gaeta	D7/397
D852,041	S	*	6/2019	Aviles	D9/436
D853,183	S	*	7/2019	Adams, Jr.	D7/392.1
D856,140	S	*	8/2019	Zarfl	D9/448
D860,721	S	*	9/2019	Gallagher	D7/397
D865,521	S	*	11/2019	Ishizawa	D9/453
2001/0020607	A1	*	9/2001	Chiarin	B01L 3/50825
						215/247
2010/0091605	A1	*	4/2010	Rasmussen	B01F 3/0446
						366/107
2013/0153586	A1	*	6/2013	Koob	B65D 11/02
						220/592.14
2015/0274377	A1	*	10/2015	Wiley	B65D 11/06
						206/508

* cited by examiner

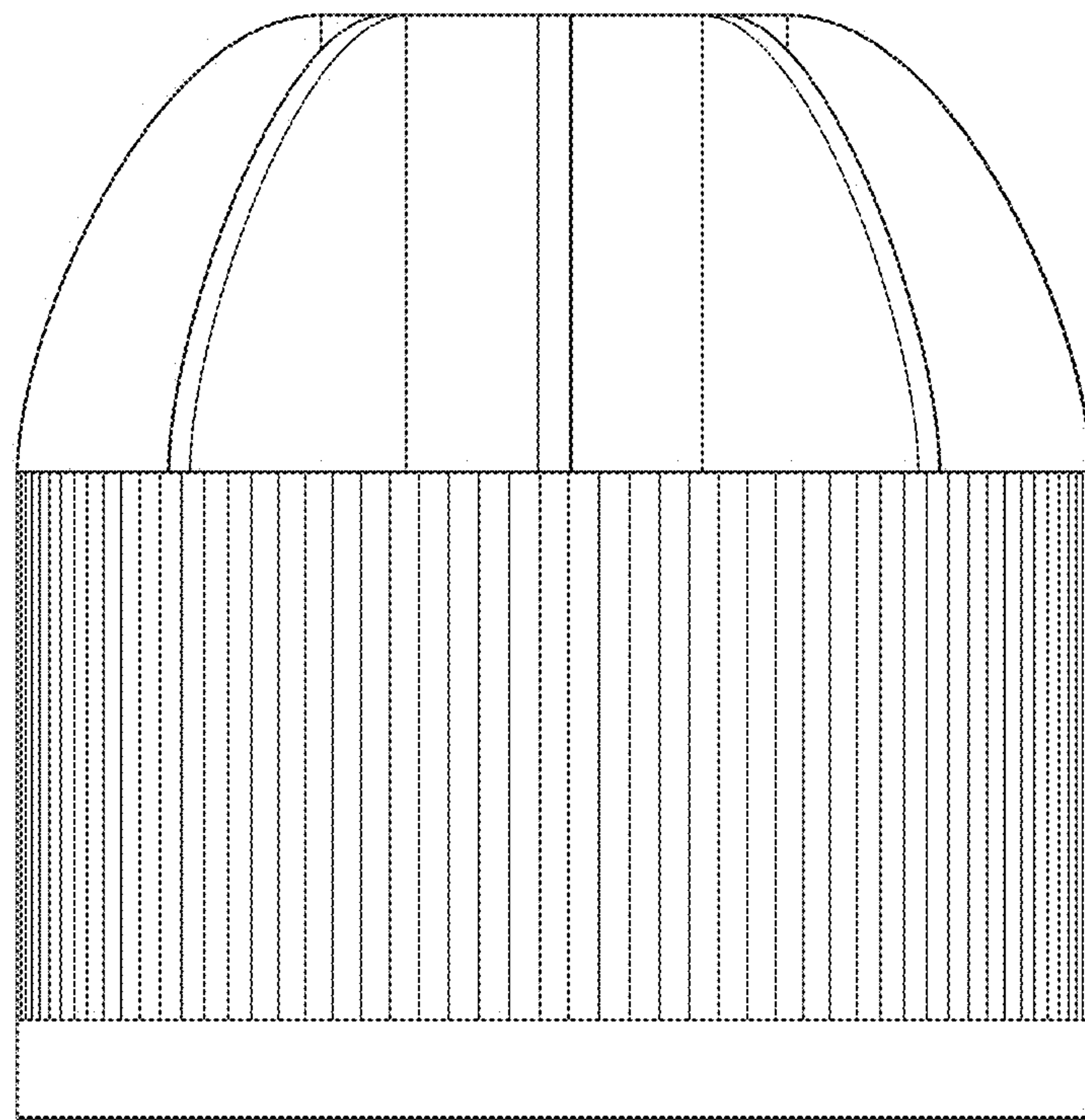


FIG. 1

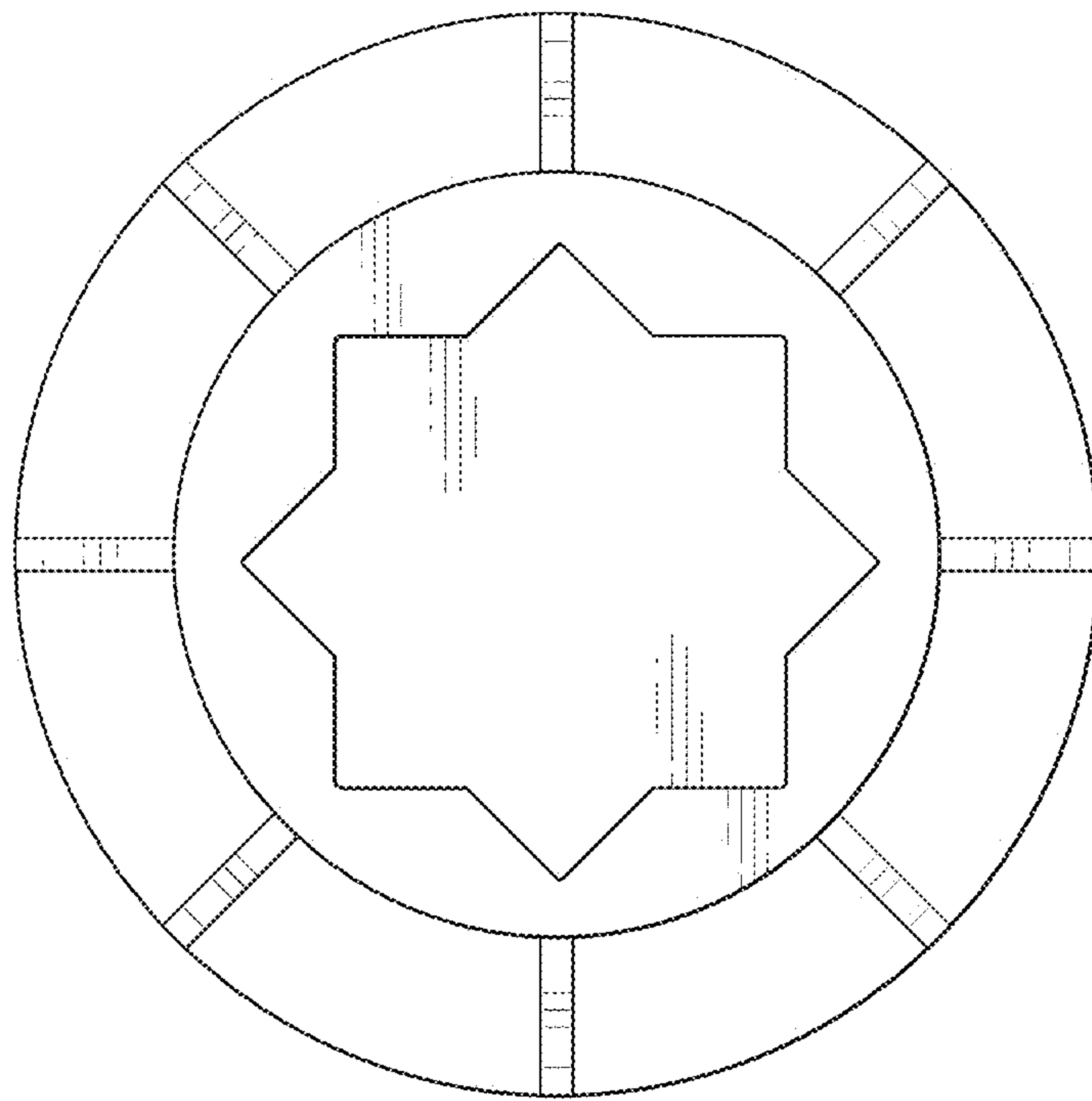


FIG. 2

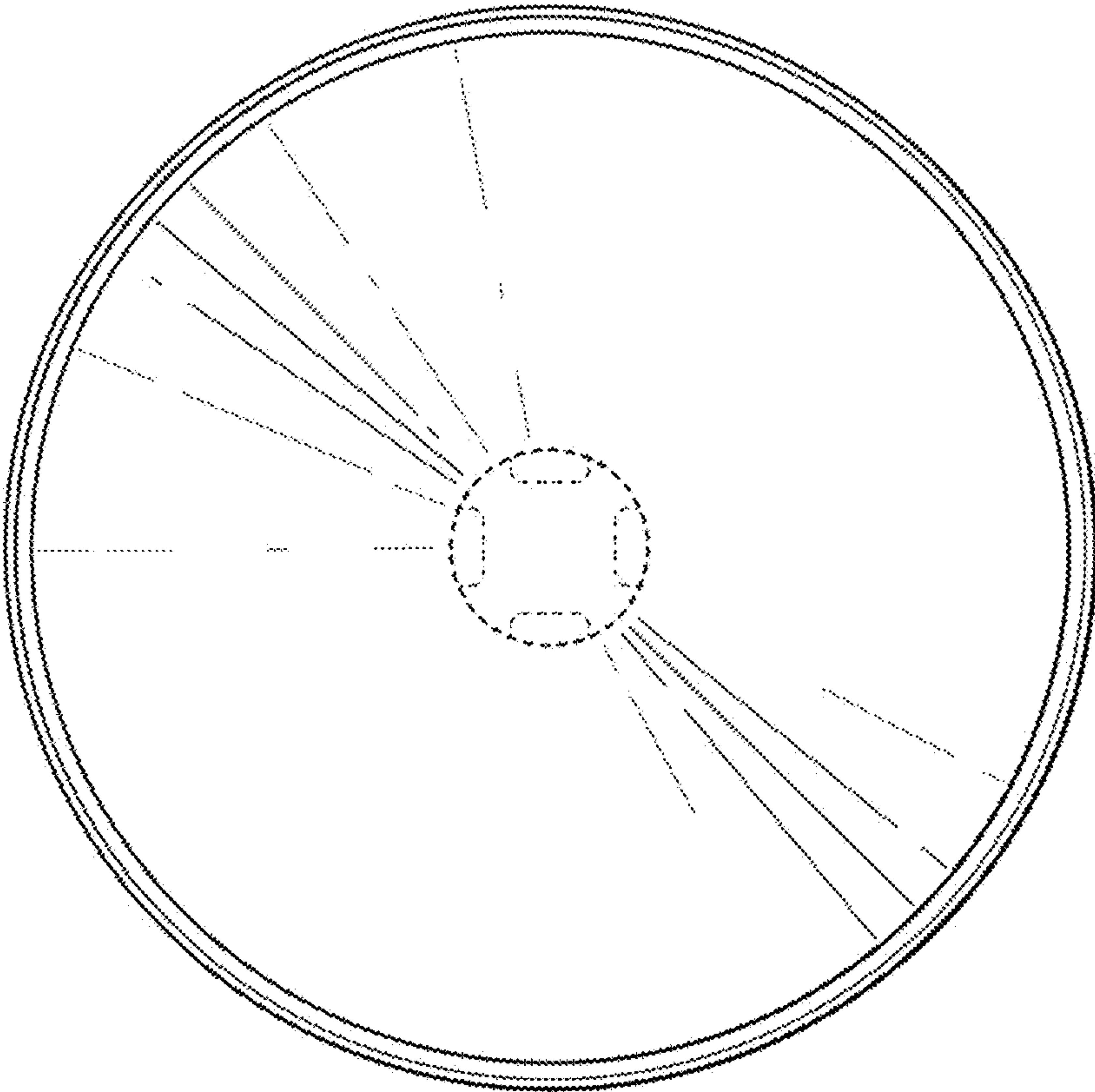


FIG. 3

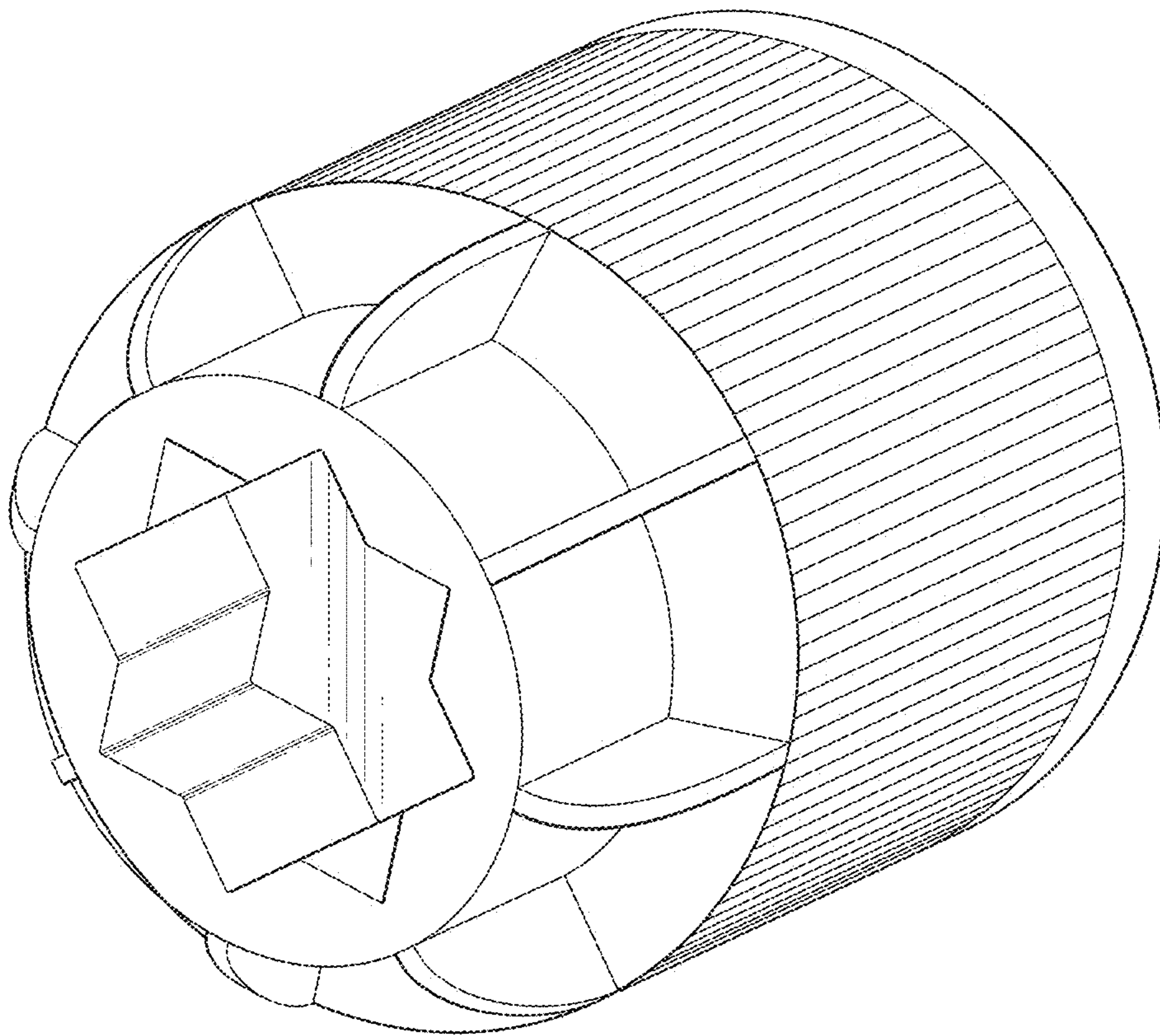


FIG. 4

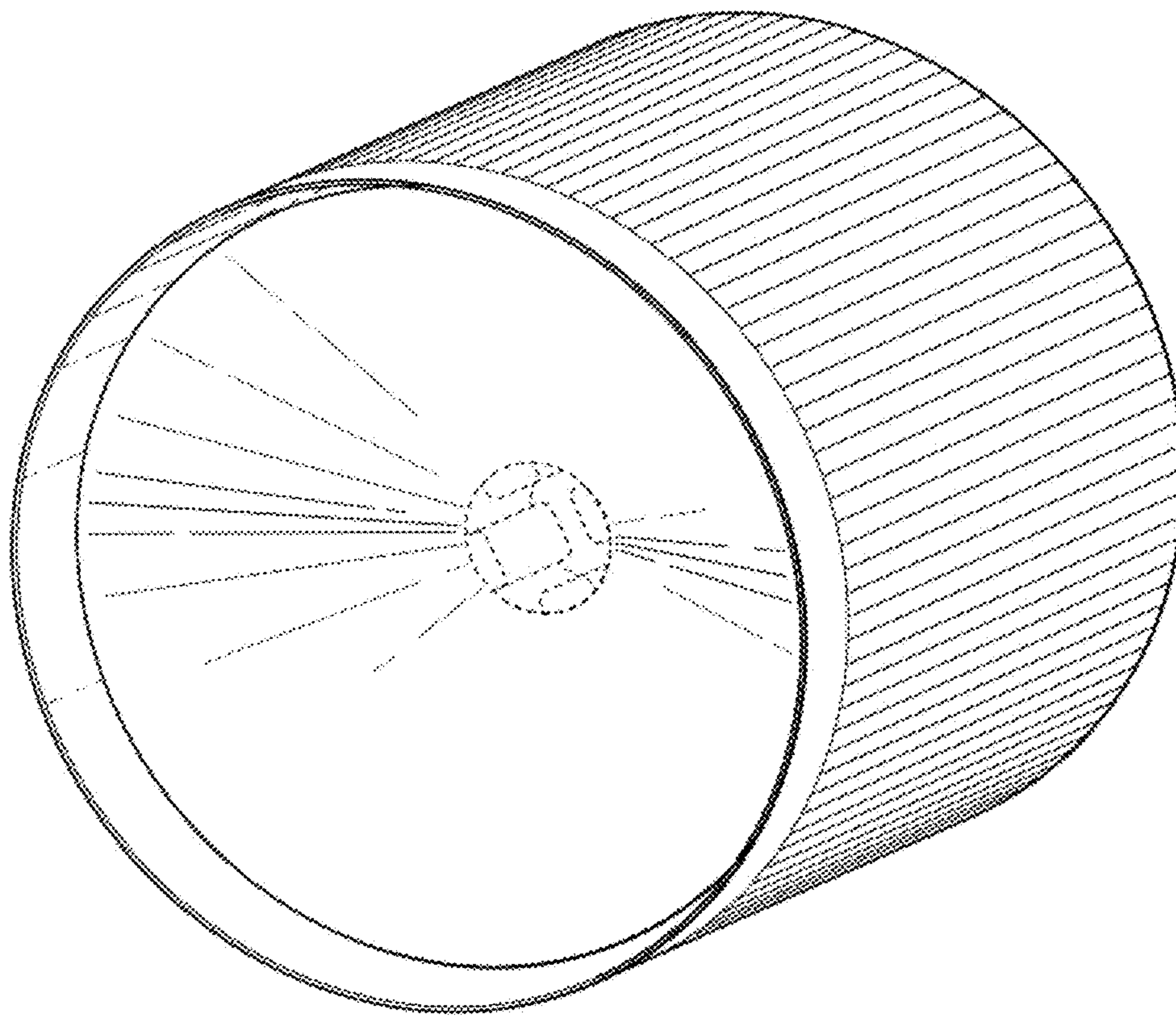


FIG. 5