



US00D927971S

(12) **United States Design Patent** (10) **Patent No.:** **US D927,971 S**  
**Monzo** (45) **Date of Patent:** **\*\* Aug. 17, 2021**

(54) **CRAYON CONTAINER**  
(71) Applicant: **CRAYOLA, LLC**, Easton, PA (US)  
(72) Inventor: **Anthony P. Monzo**, Easton, PA (US)  
(73) Assignee: **Crayola LLC**, Easton, PA (US)  
(\*\*) Term: **15 Years**  
(21) Appl. No.: **29/679,762**  
(22) Filed: **Feb. 8, 2019**  
(51) **LOC (13) Cl.** ..... **09-03**  
(52) **U.S. Cl.**  
USPC ..... **D9/420**  
(58) **Field of Classification Search**  
USPC .... D9/420, 432, 434; D3/201, 203.2, 203.6,  
D3/295, 298, 273, 203.3, 294; D14/432;  
D13/103; D27/172; D21/686; D7/629,  
D7/709  
CPC ..... A45D 40/22; A45D 33/34; A45D 33/28;  
A45C 13/005; A45C 13/02; A45C 11/34;  
A45C 5/03; A45C 13/1084; B29C 39/24  
See application file for complete search history.

6,021,891 A \* 2/2000 Anderson ..... A45C 11/34  
206/214  
D458,127 S \* 6/2002 de Groote ..... D3/294  
D506,065 S \* 6/2005 Sugino ..... D13/103  
D592,398 S \* 5/2009 Roesler ..... D3/294  
D592,399 S \* 5/2009 Sage ..... D3/295  
D612,152 S \* 3/2010 Roesler ..... D3/294  
8,292,069 B2 \* 10/2012 Silva Rubio ..... A45C 5/03  
206/214  
D672,554 S \* 12/2012 Penttinen ..... D3/273  
D722,870 S \* 2/2015 Fohner ..... D9/432  
D772,572 S \* 11/2016 Palmborg ..... D3/294  
D795,654 S \* 8/2017 Kolano ..... D7/629  
D829,213 S \* 9/2018 Szeremeta ..... D14/432  
10,144,158 B1 \* 12/2018 Wang ..... B29C 39/24  
D840,146 S \* 2/2019 Hauss ..... D3/203.3

(Continued)

*Primary Examiner* — Rhea Shields  
(74) *Attorney, Agent, or Firm* — Shook, Hardy & Bacon  
L.L.P.

(57) **CLAIM**

The ornamental design for a crayon container, as shown and described.

**DESCRIPTION**

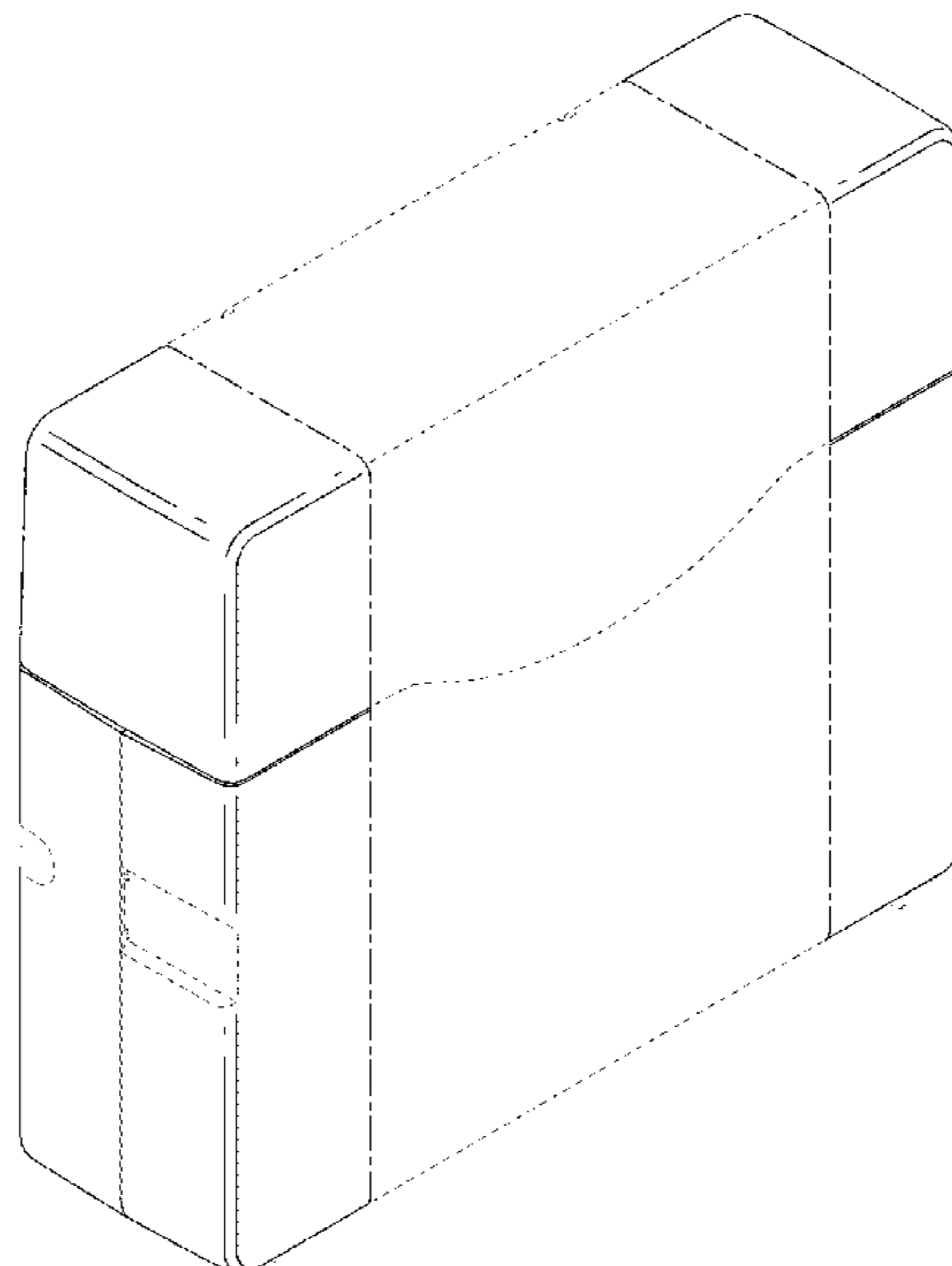
FIG. 1 is a front perspective view of a crayon container showing my design;  
FIG. 2 is a front view thereof;  
FIG. 3 is a rear view thereof;  
FIG. 4 is a top thereof;  
FIG. 5 is a bottom view thereof;  
FIG. 6 is a first side view thereof; and,  
FIG. 7 is a second side view thereof.  
Specifically, in the drawings, the dash-dash broken lines are for the purpose of illustrating portions of the crayon container. The dash-dot broken lines are for the purpose of illustrating boundaries of the claim. The dash-dash and dash-dot broken lines form no part of the claimed design.

**1 Claim, 5 Drawing Sheets**

(56) **References Cited**

**U.S. PATENT DOCUMENTS**

4,555,020 A \* 11/1985 Campello ..... A45D 33/28  
132/294  
4,917,131 A \* 4/1990 Contreras, Sr. .... A45D 40/22  
132/286  
5,131,558 A \* 7/1992 Hiromori ..... A45C 13/1084  
220/326  
5,431,176 A \* 7/1995 Favre ..... A45D 33/34  
132/294  
5,437,294 A \* 8/1995 Ebbets, III ..... A45D 40/22  
132/296  
5,605,167 A \* 2/1997 Montoli ..... A45C 13/02  
132/293  
5,638,838 A \* 6/1997 Lombardi ..... A45C 13/005  
132/294



(56)

**References Cited**

U.S. PATENT DOCUMENTS

D863,677 S	*	10/2019	Chung	.....	D27/172
D876,821 S	*	3/2020	Lee	.....	D3/203.3
D882,262 S	*	4/2020	Zhang	.....	D3/294
D887,505 S	*	6/2020	Tumpson	.....	D21/686
D889,117 S	*	7/2020	Lee	.....	D3/203.2
D889,957 S	*	7/2020	Soiling	.....	D9/420
D890,581 S	*	7/2020	Gonzalez	.....	D7/709
D896,519 S	*	9/2020	Cooper	.....	D3/298
D897,664 S	*	10/2020	Li	.....	D3/201
D902,589 S	*	11/2020	Li	.....	D3/295
D902,711 S	*	11/2020	Rees	.....	D9/434
D905,956 S	*	12/2020	Rivera	.....	D3/203.6

\* cited by examiner

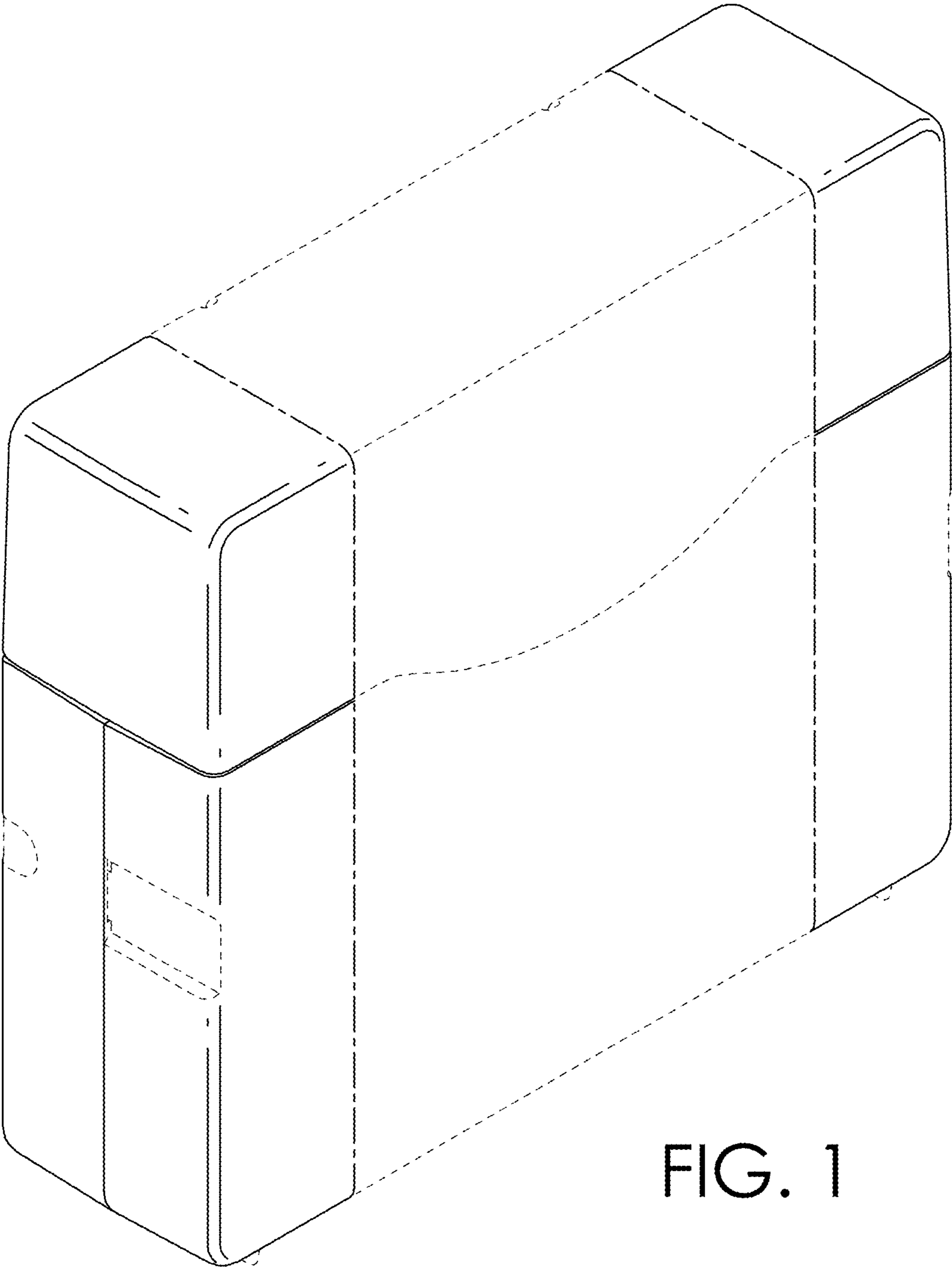


FIG. 1

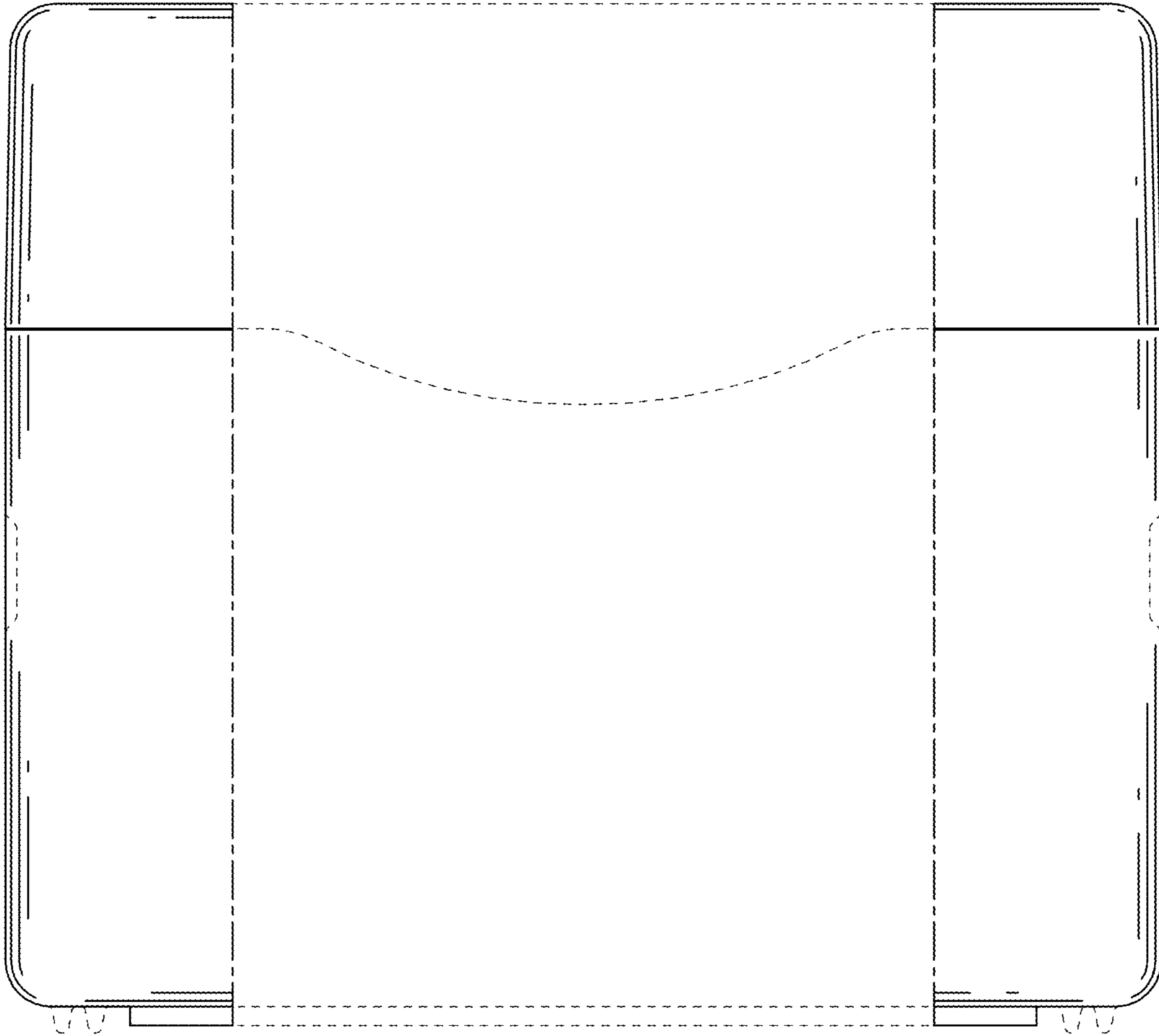


FIG. 2

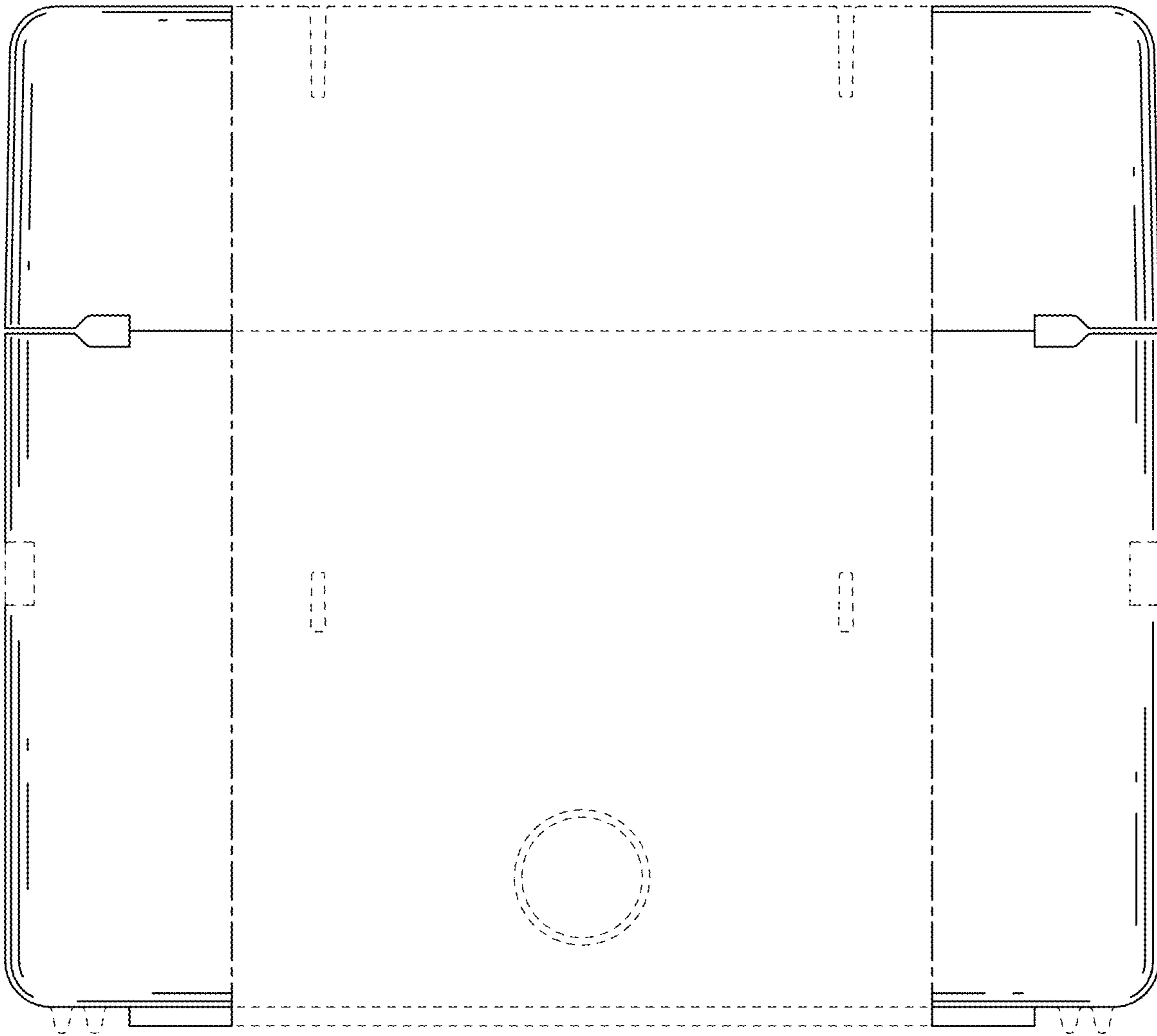


FIG. 3



FIG. 4

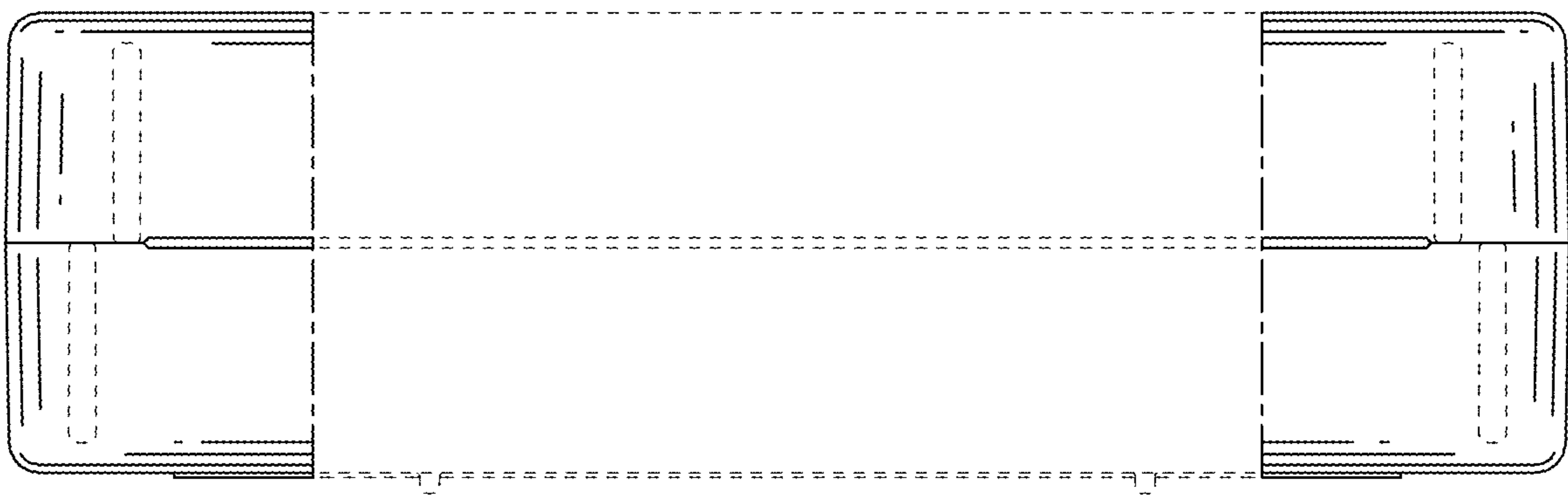


FIG. 5

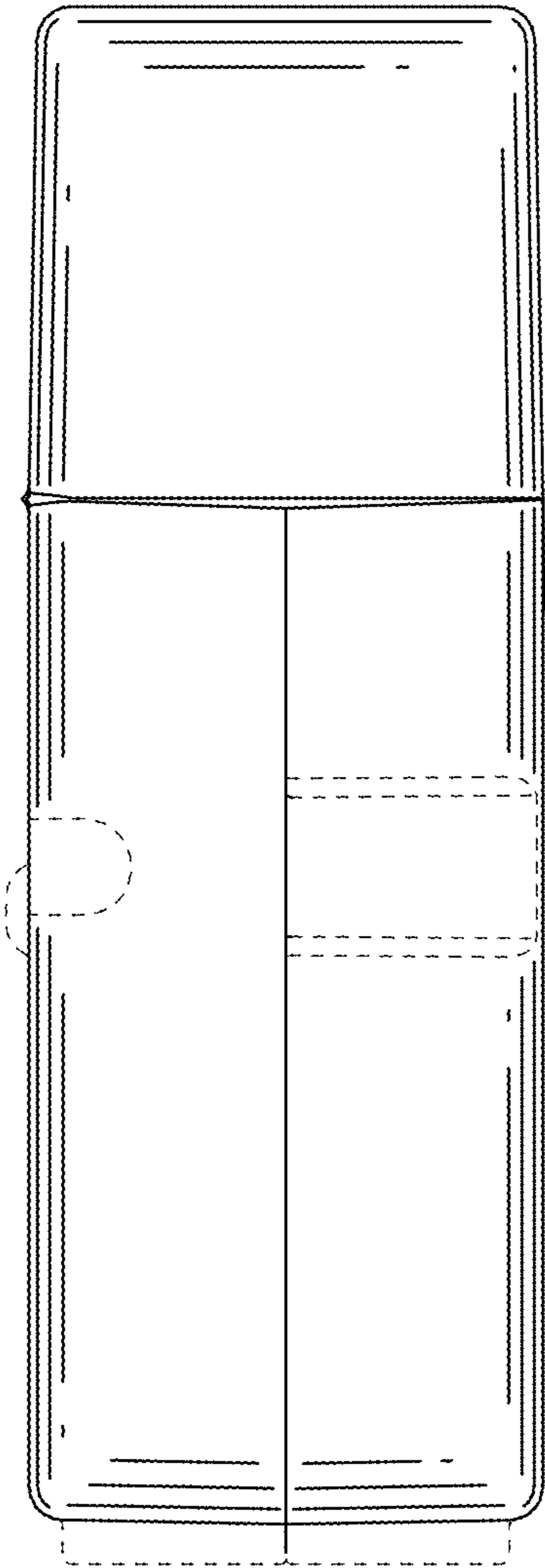


FIG. 6

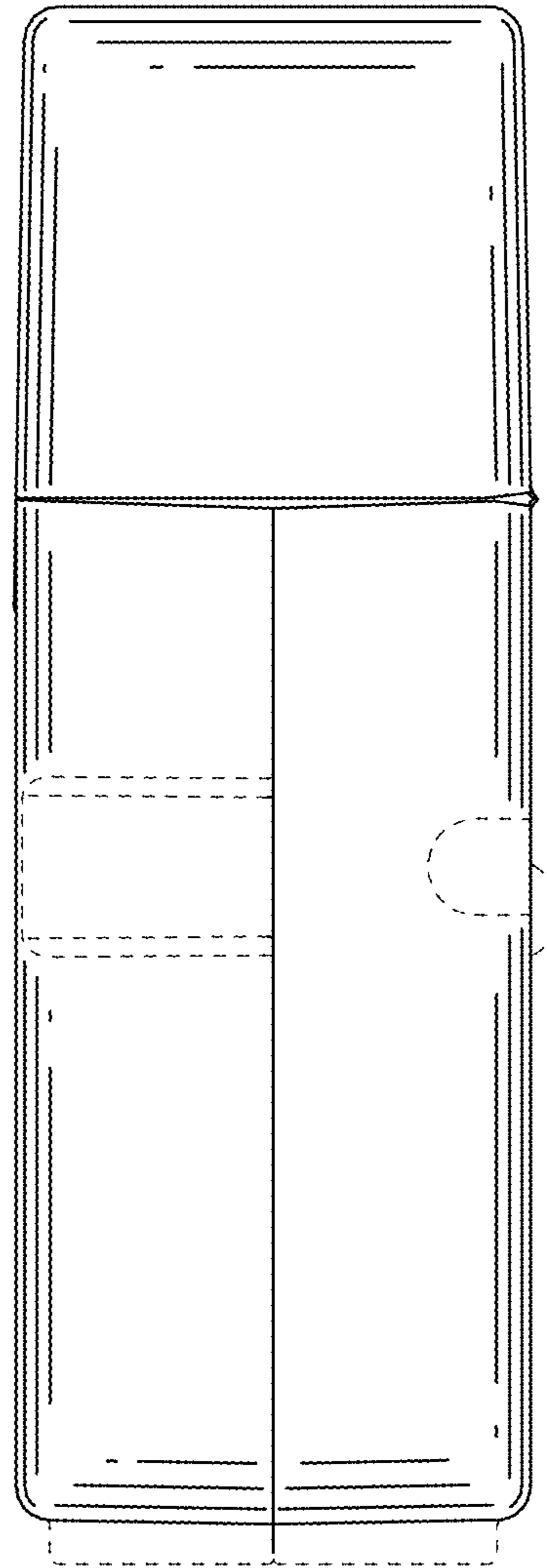


FIG. 7