



US00D927969S

(12) **United States Design Patent**  
**Klingler**

(10) **Patent No.:** **US D927,969 S**

(45) **Date of Patent:** **\*\* Aug. 17, 2021**

(54) **BRACKET FACEPLATE**

(71) Applicant: **Scott Klingler**, San Antonio, TX (US)

(72) Inventor: **Scott Klingler**, San Antonio, TX (US)

(\*\*) Term: **15 Years**

(21) Appl. No.: **29/666,084**

(22) Filed: **Oct. 10, 2018**

(51) **LOC (13) Cl.** ..... **08-08**

(52) **U.S. Cl.**  
USPC ..... **D8/394**

(58) **Field of Classification Search**  
USPC ..... D14/218; D8/349, 363, 371, 373,  
D8/380-383, 354, 356, 394, 71-74  
CPC ..... E04H 17/1421; E04H 2017/1473; A47G  
1/00; A47G 25/00; F16L 3/00  
See application file for complete search history.

(56) **References Cited**

**U.S. PATENT DOCUMENTS**

D260,481 S *	9/1981	Norcross	D8/354
5,984,249 A *	11/1999	Cohen	A47G 7/044 108/47
D497,074 S *	10/2004	Dardashti	D6/407
D664,126 S *	7/2012	Feit	D14/230
8,561,355 B2 *	10/2013	Canavarro	E04B 2/7416 52/36.1
D719,153 S *	12/2014	Lim	D14/365
9,000,991 B2 *	4/2015	Ramberg	H01Q 21/26 343/727
D728,577 S *	5/2015	Amit	D14/435
D730,328 S *	5/2015	Chun	D14/230
D785,608 S *	5/2017	Weaver	D14/240
D797,099 S *	9/2017	Wieser	D14/358
D798,861 S *	10/2017	Wieser	D14/358
D799,479 S *	10/2017	Wieser	D14/358
D802,565 S *	11/2017	Fariello	D14/230
D813,209 S *	3/2018	Johnson	D14/230

D889,449 S *	7/2020	Abellera	D14/242
D909,193 S *	2/2021	Canavarro	D8/394
2005/0045785 A1 *	3/2005	Cohen	F16B 2/12 248/214

\* cited by examiner

*Primary Examiner* — John Windmuller

(74) *Attorney, Agent, or Firm* — Scott L. Harper; Harper & Bates LLP

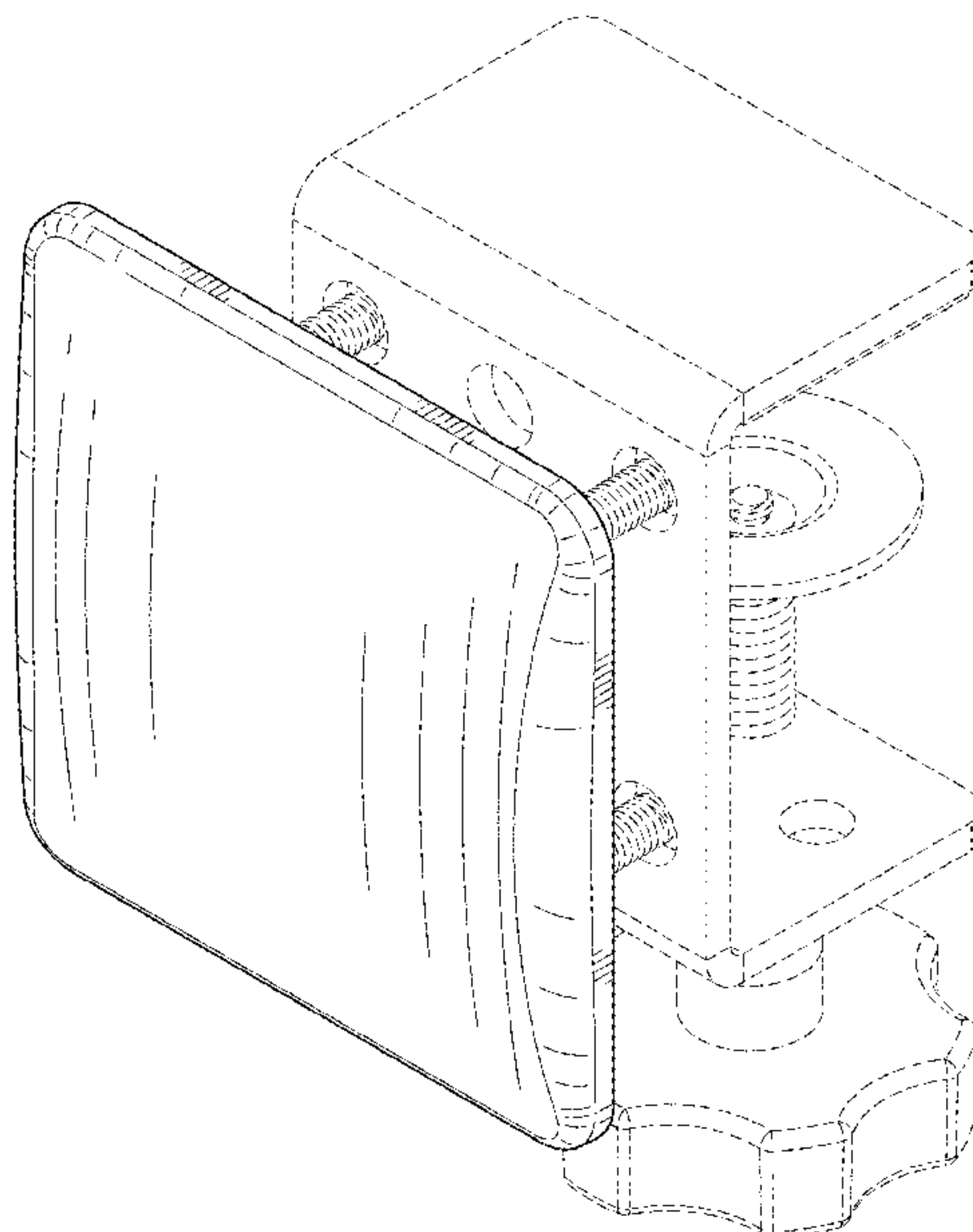
(57) **CLAIM**

The ornamental design for a bracket faceplate, as shown and described.

**DESCRIPTION**

FIG. 1 is a front perspective view of the bracket faceplate of the present invention;  
 FIG. 2 is a front elevation view of the bracket faceplate of the present invention;  
 FIG. 3 is a rear elevation view of the bracket faceplate of the present invention;  
 FIG. 4 is a right side view of the bracket faceplate of the present invention;  
 FIG. 5 is a left side view of the bracket faceplate of the present invention;  
 FIG. 6 is a top view of the bracket faceplate of the present invention;  
 FIG. 7 is a bottom view of the bracket faceplate of the present invention;  
 FIG. 8 is a rear perspective view of the bracket faceplate of the present invention; and,  
 FIG. 9 is an alternate rear elevation view of the bracket faceplate of the present invention.  
 The broken lines depicting a clamp and bracket assembly attached to the bracket faceplate in the FIGS. 1-9 are for illustrative purposes only and form no part of the claimed design.

**1 Claim, 9 Drawing Sheets**



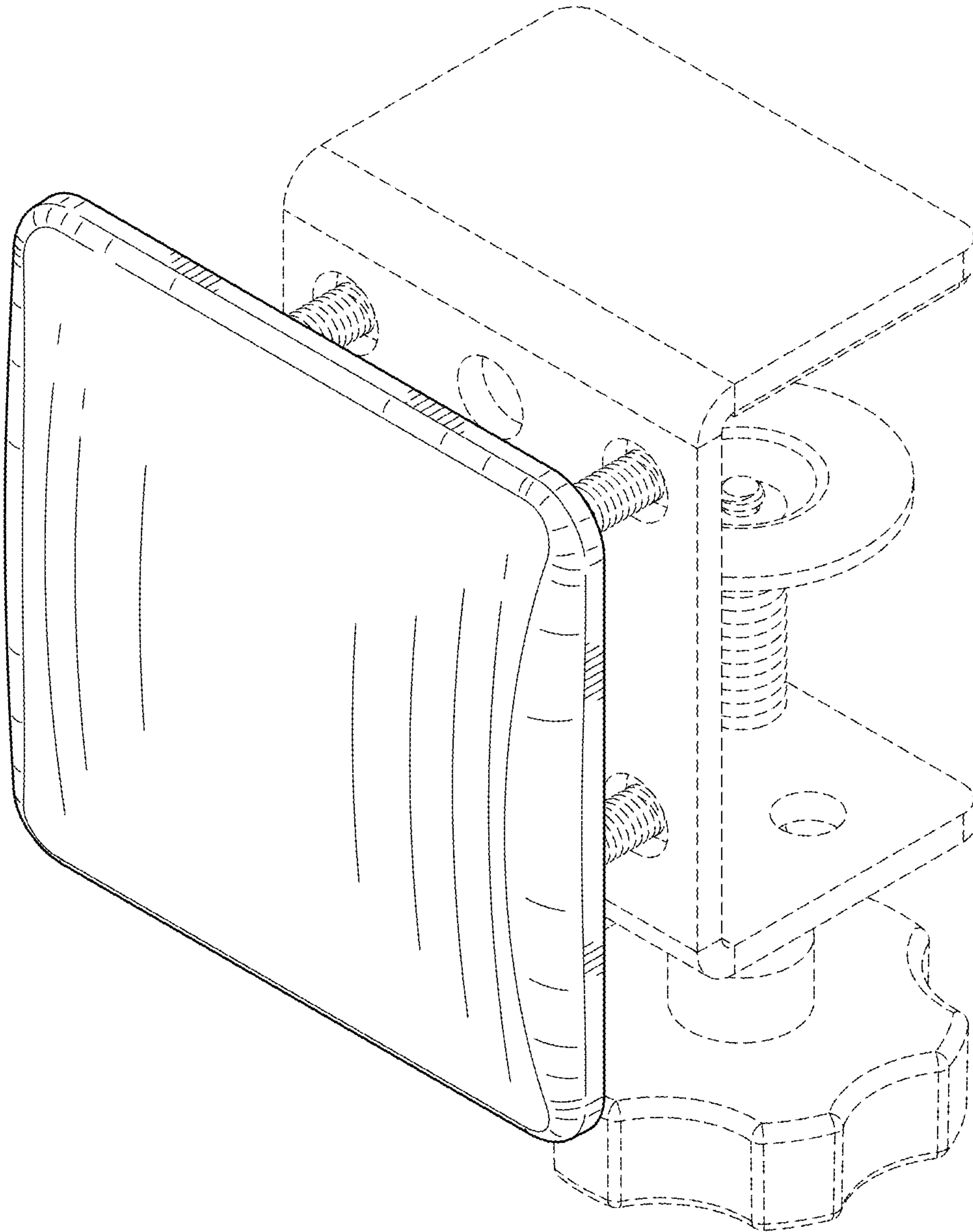


FIG. 1

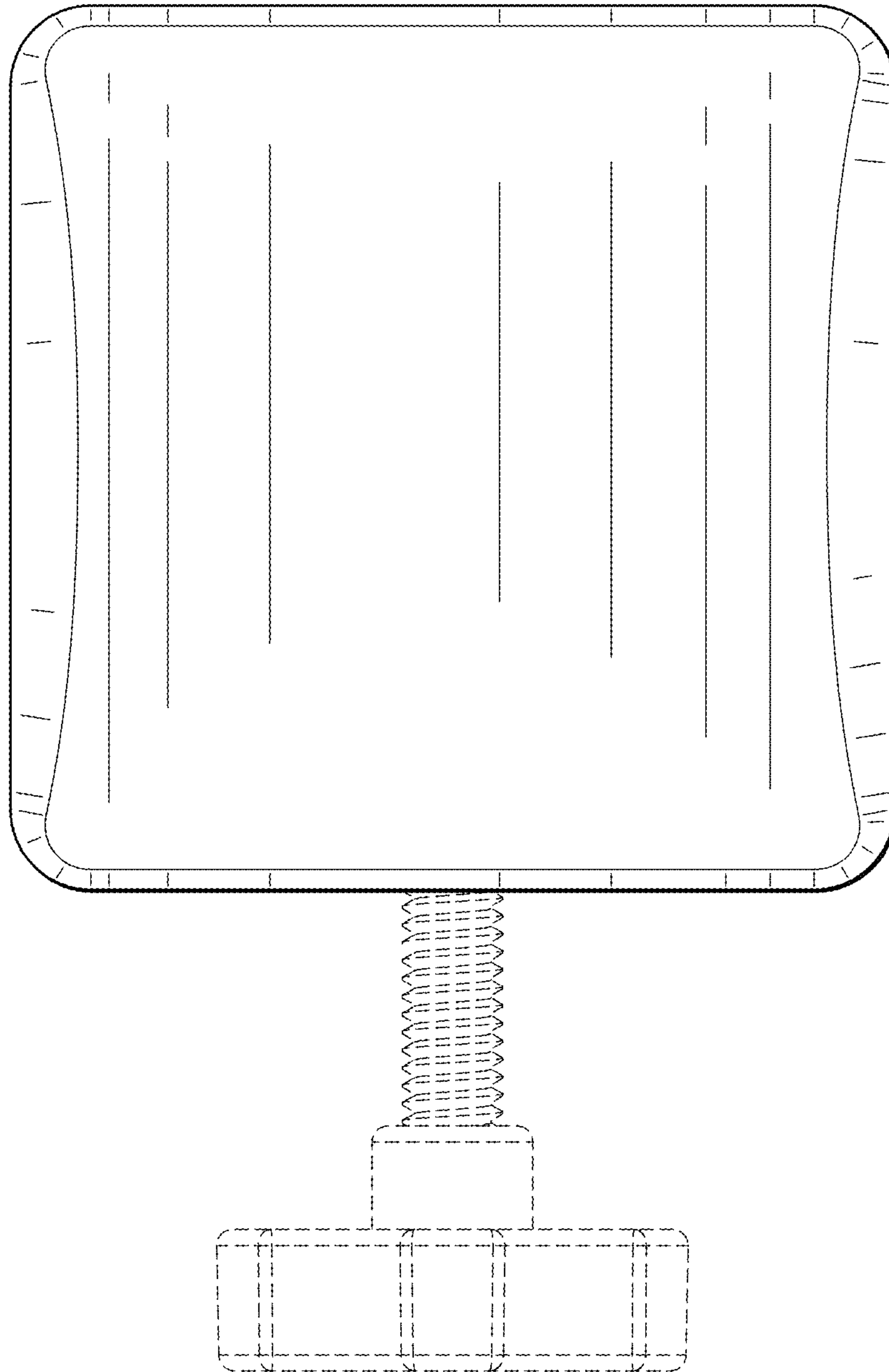


FIG. 2

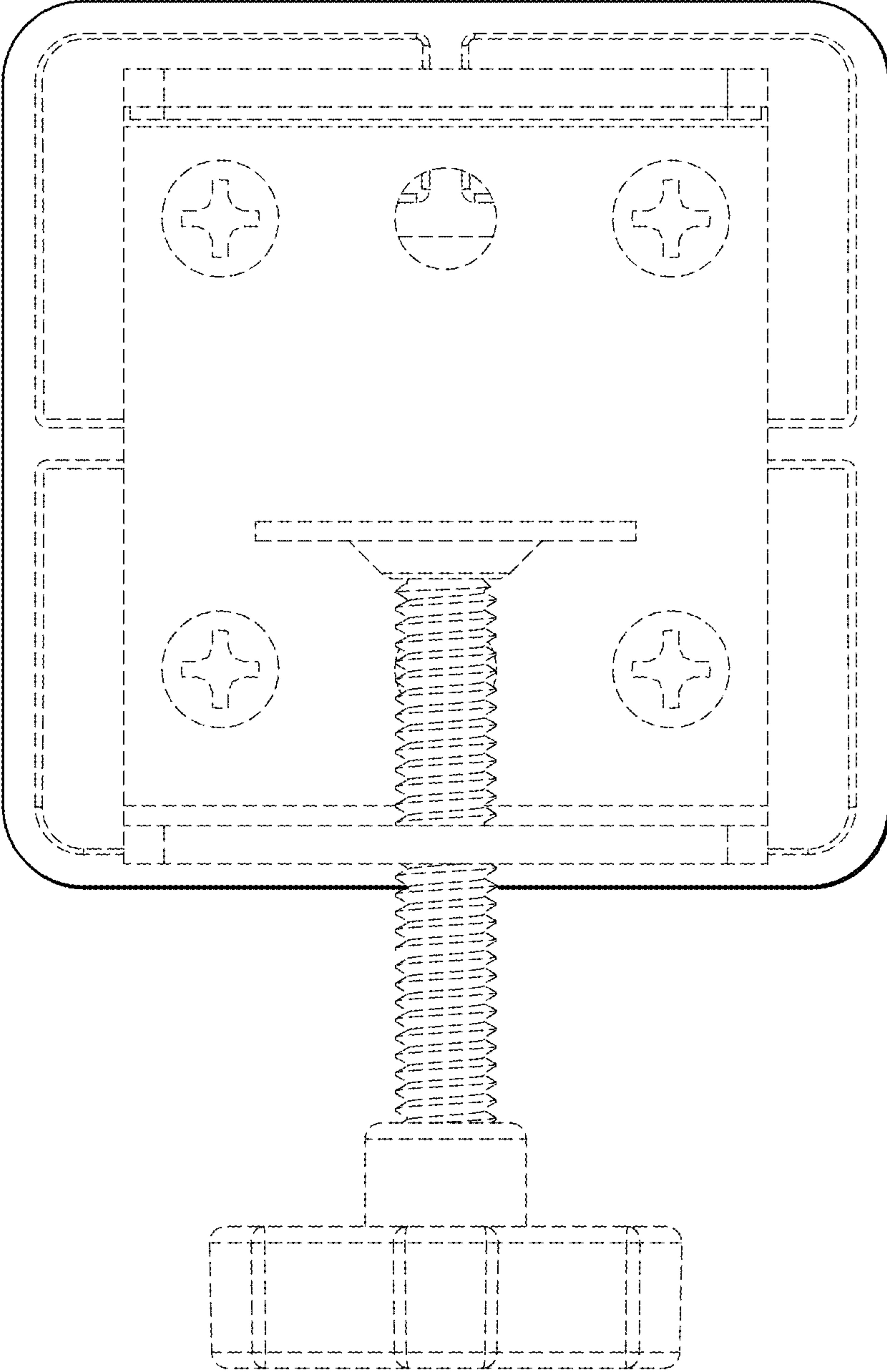


FIG. 3

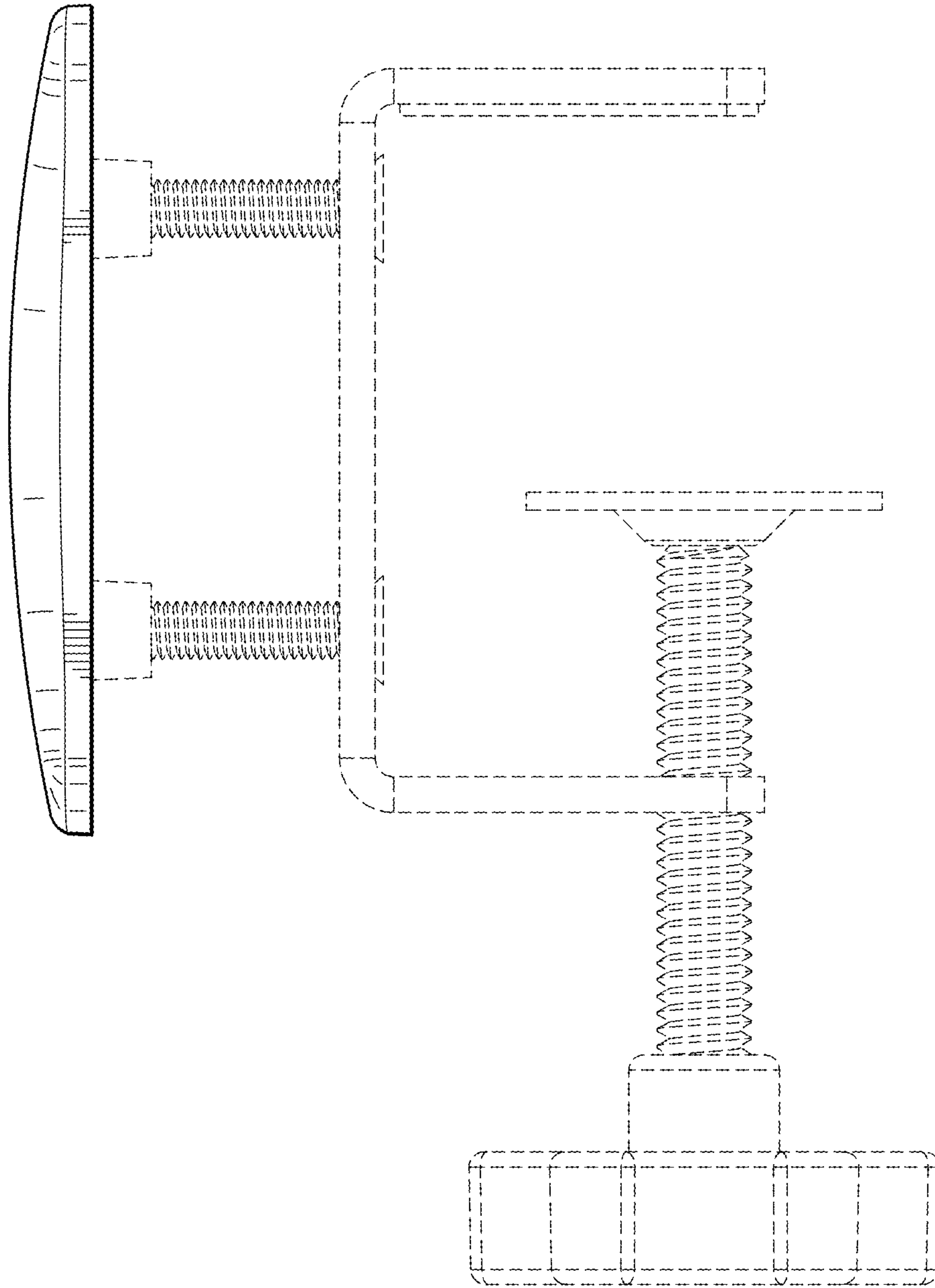


FIG. 4



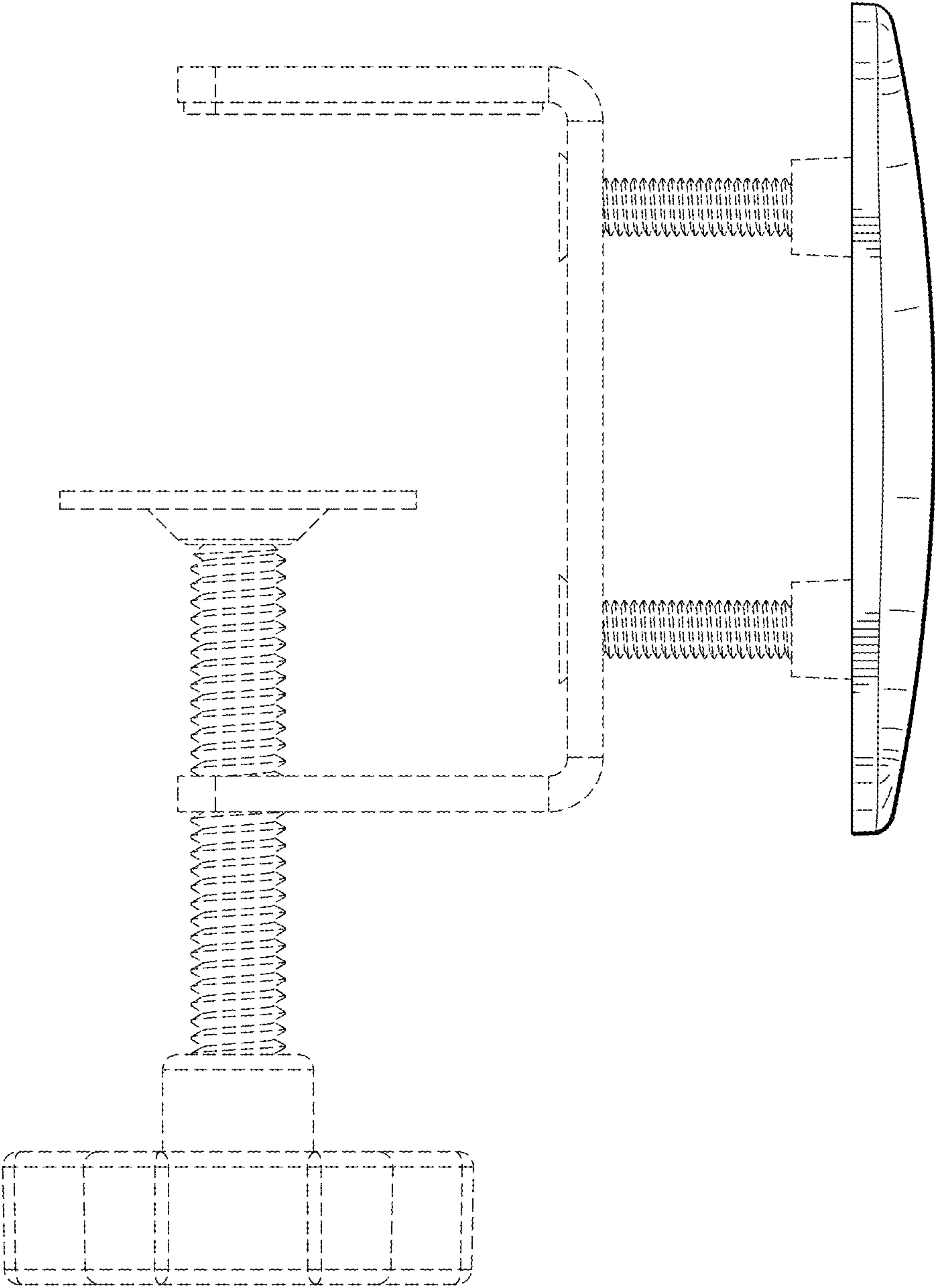


FIG. 5

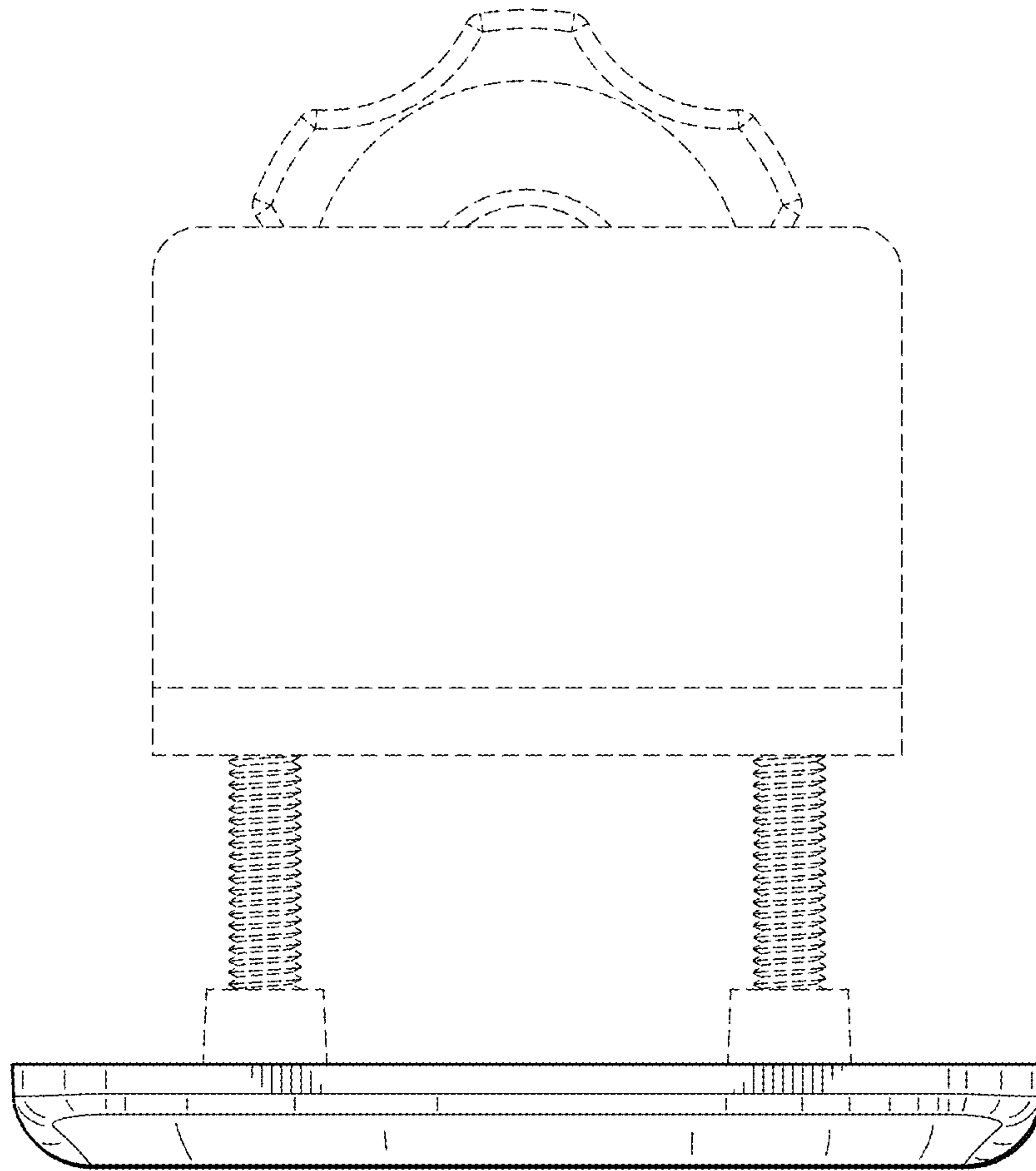


FIG. 6

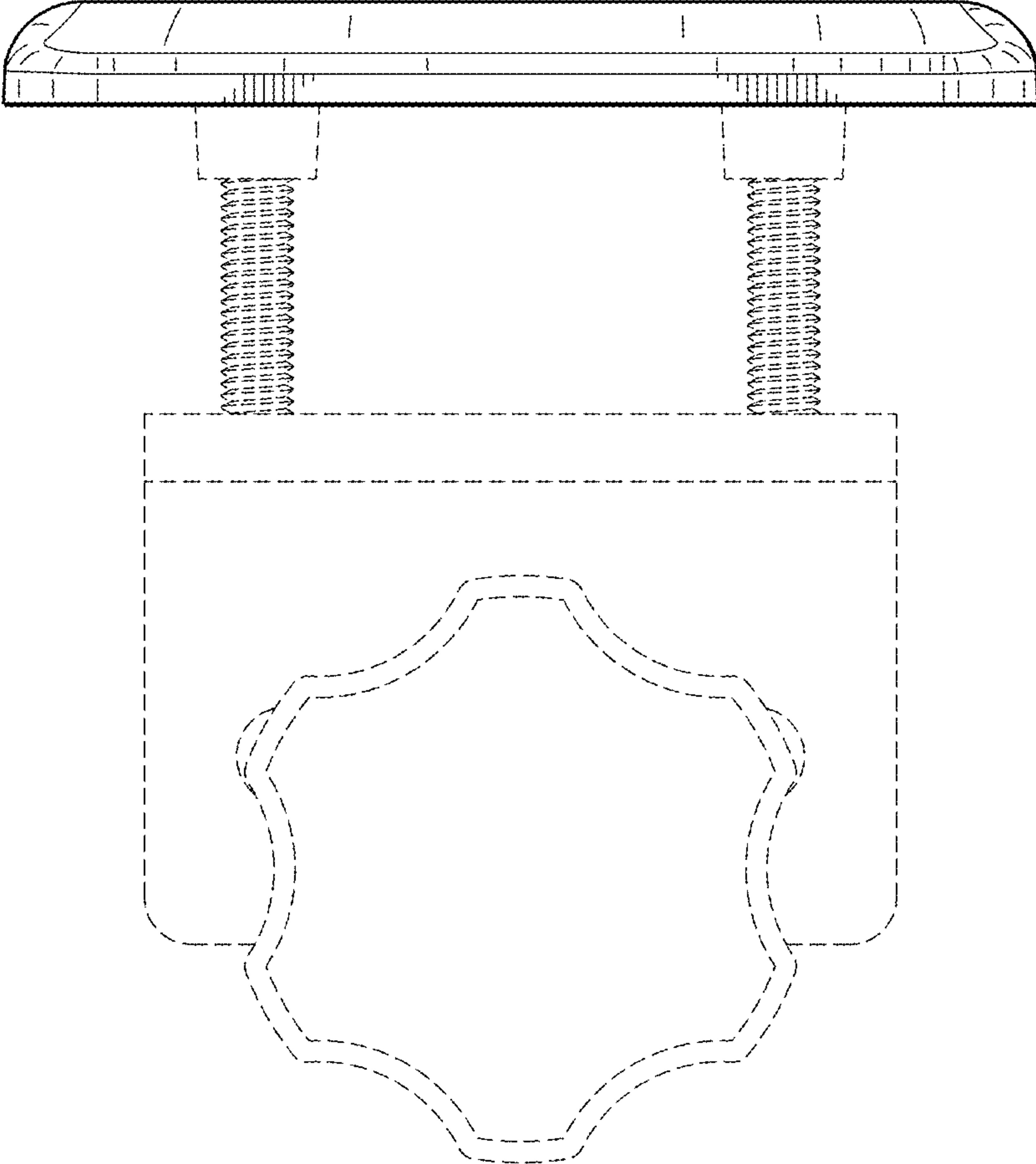


FIG. 7



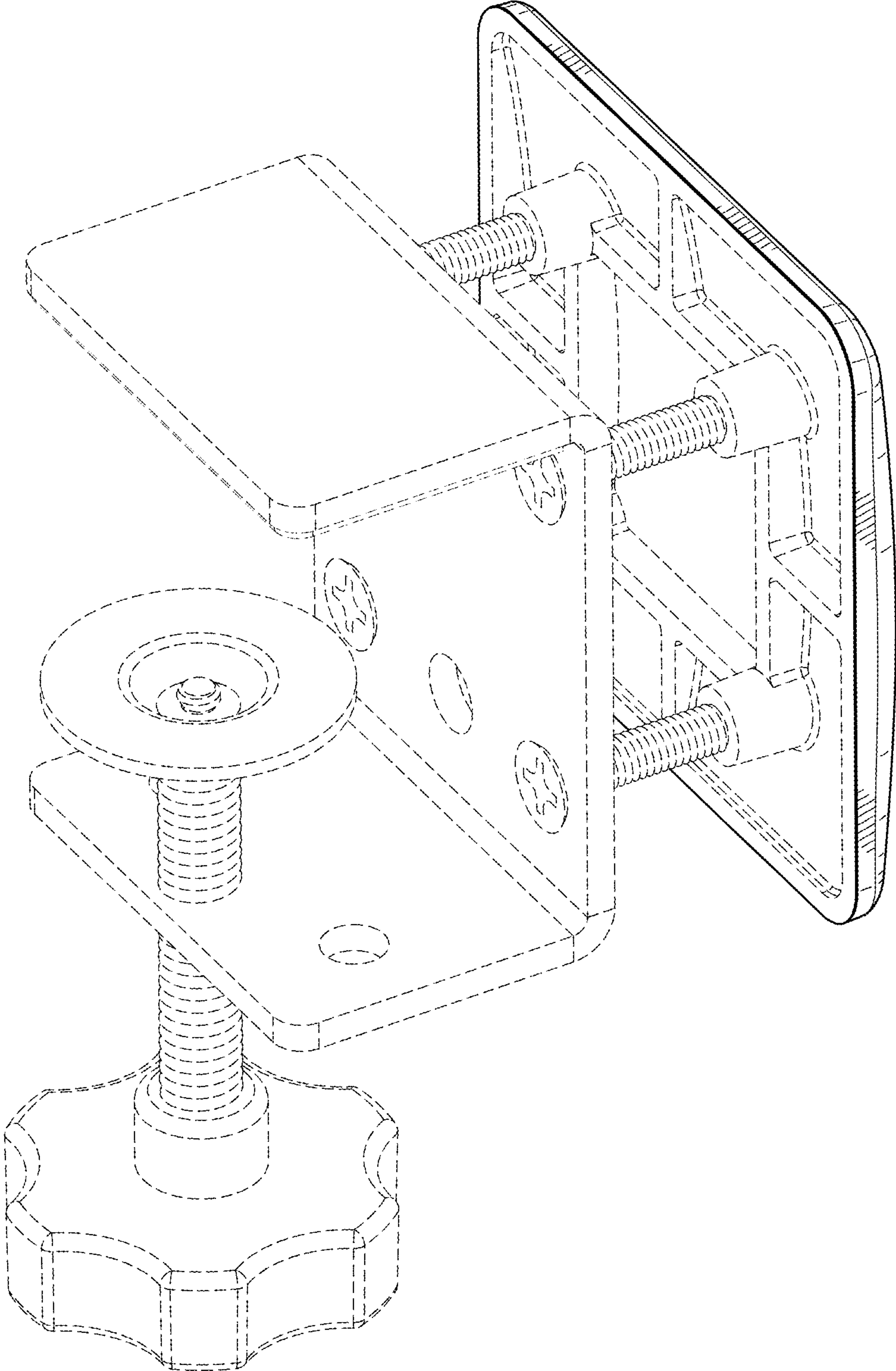


FIG. 8

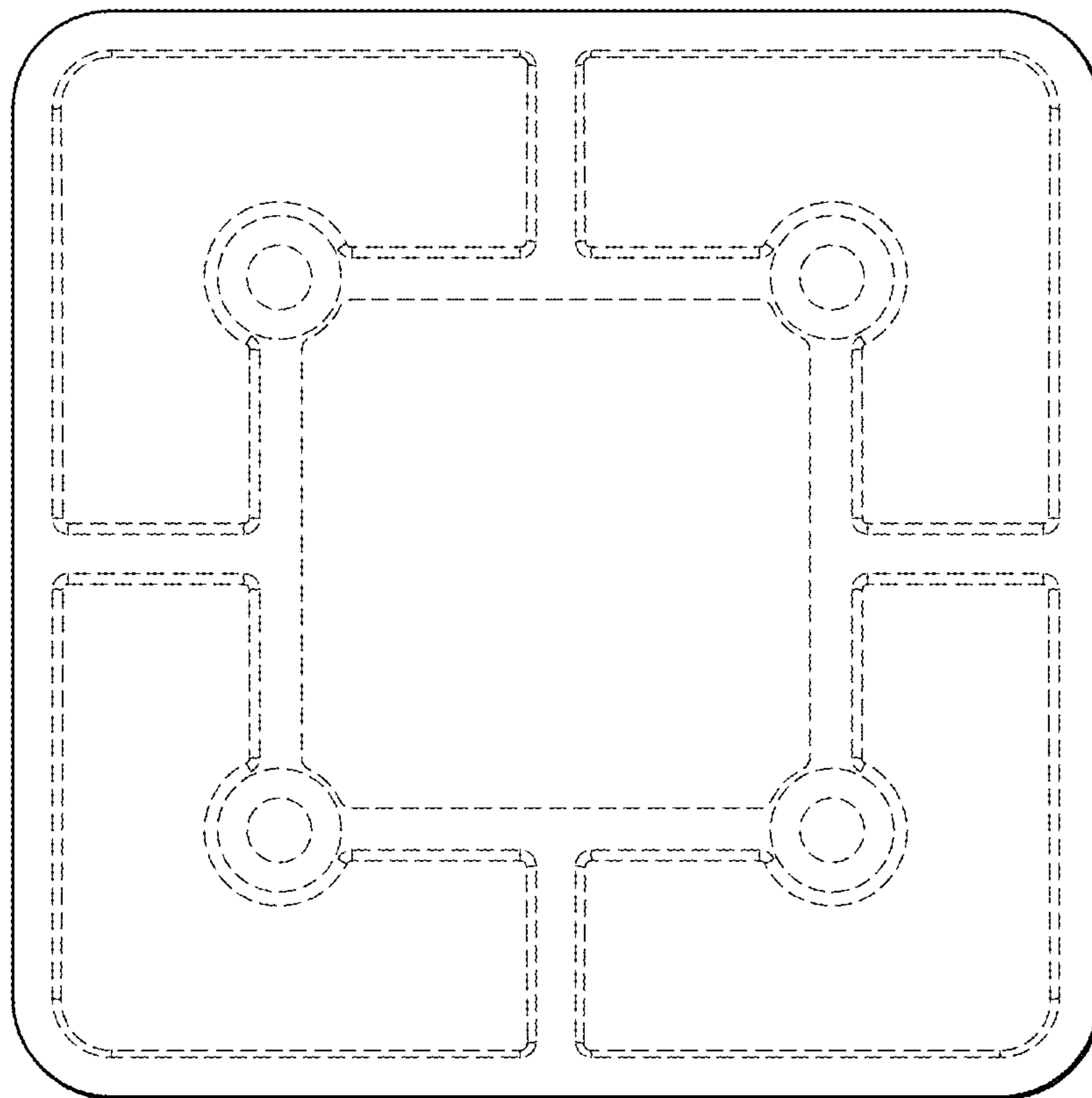


FIG. 9