



US00D927968S

(12) **United States Design Patent**
Hudson et al.

(10) **Patent No.: US D927,968 S**

(45) **Date of Patent: ** Aug. 17, 2021**

(54) **SCREW ANCHOR**

(71) Applicant: **Ojjo, Inc.**, San Rafael, CA (US)

(72) Inventors: **Tyrus Hudson**, Petaluma, CA (US);
Jack West, San Rafael, CA (US);
Charles Almy, Berkeley, CA (US)

(73) Assignee: **Ojjo, Inc.**, San Rafael, CA (US)

(**) Term: **15 Years**

(21) Appl. No.: **29/685,528**

(22) Filed: **Mar. 28, 2019**

(51) **LOC (13) Cl.** **08-08**

(52) **U.S. Cl.**
USPC **D8/387**

(58) **Field of Classification Search**
USPC D8/51, 307, 315, 316, 317, 356, 37, 349;
D11/222, 226; D17/20; D23/249;
D13/102
CPC F24S 25/617; E02D 5/56; E02D 5/801;
E02D 7/22; E02D 27/16; E02D 27/50
See application file for complete search history.

(56) **References Cited**

U.S. PATENT DOCUMENTS

4,167,339	A *	9/1979	Anders	B29C 48/2564
					366/79
D256,553	S *	8/1980	Fayle	D8/387
5,873,679	A *	2/1999	Cusimano	E02D 27/48
					405/231
D435,789	S *	1/2001	Holzinger	D8/387
D542,644	S *	5/2007	Lee	D8/387
D662,808	S *	7/2012	Vandenberg	F16B 25/0005
					D8/387
2006/0228186	A1 *	10/2006	Shinjo	F16B 25/0021
					411/5
2007/0154258	A1 *	7/2007	Knapp	F16B 12/20
					403/331

2008/0031758	A1 *	2/2008	Rosam	F04C 11/005
					418/48
2010/0290858	A1 *	11/2010	Hettich	F16B 13/002
					411/21
2011/0314749	A1 *	12/2011	Rainer	E02D 5/801
					52/157
2012/0114448	A1 *	5/2012	Liu	F16B 37/14
					411/386

(Continued)

OTHER PUBLICATIONS

Product—Ojjo, first available [2020], <https://www.ojjo.com/product>, [online], [site visited Oct. 24, 2020], Available from internet URL:<https://www.ojjo.com/product> (Year: 2020).*

(Continued)

Primary Examiner — Janice Hallmark

Assistant Examiner — Elizabeth S Ko

(74) *Attorney, Agent, or Firm* — Phillip Mancini

(57) **CLAIM**

The ornamental design for a screw anchor, substantially as shown and described.

DESCRIPTION

FIG. 1 is a top left perspective view of a screw anchor showing the claimed design;

FIG. 2 is a top right perspective view thereof;

FIG. 3 is a front view thereof;

FIG. 4 is a rear view thereof;

FIG. 5 is a top view thereof;

FIG. 6 is a bottom view thereof;

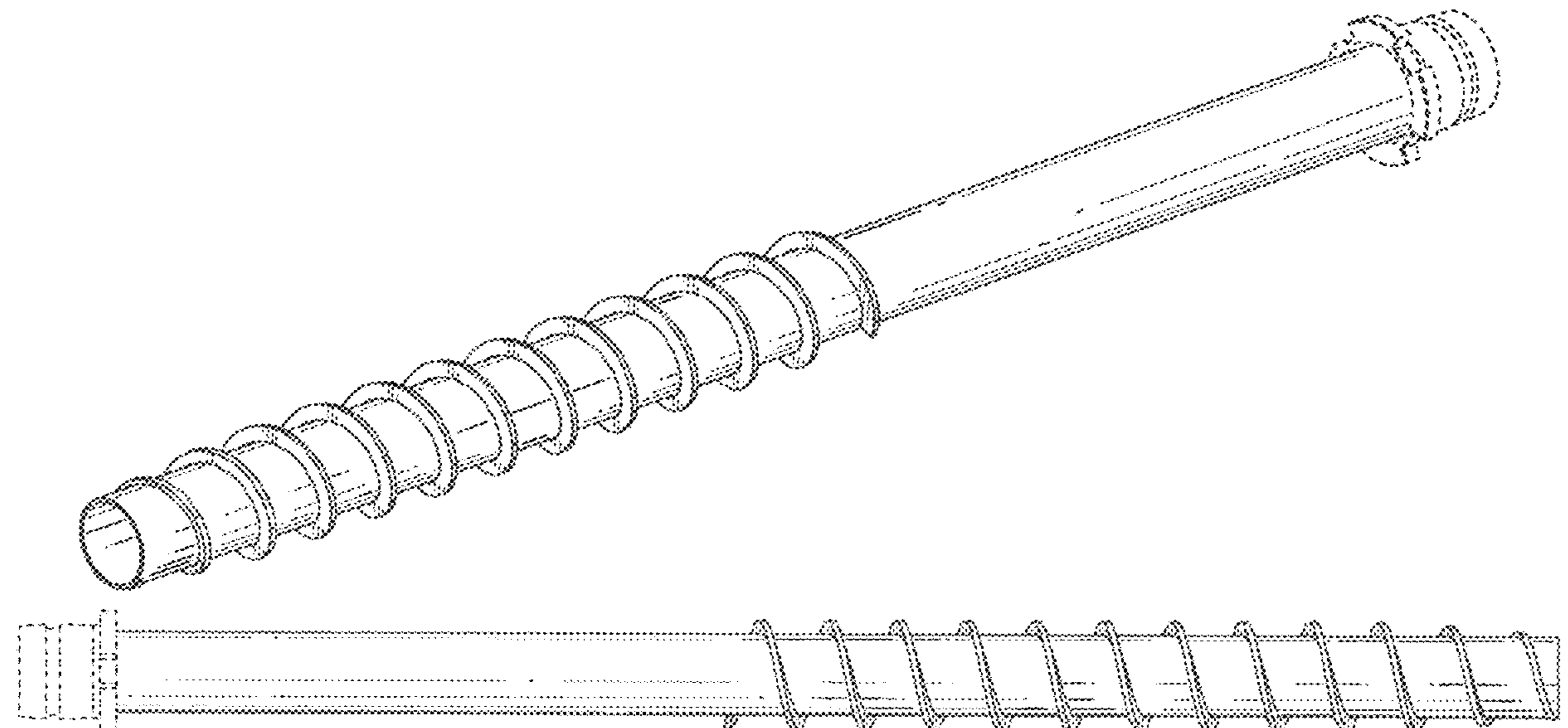
FIG. 7 is a left view thereof; and,

FIG. 8 is a right view thereof.

Portions of the screw anchor that are not shown form no part of the claimed design.

The dashed broken lines in the figures show portions of the screw anchor that form no part of the claimed design.

1 Claim, 3 Drawing Sheets



(56)

References Cited

U.S. PATENT DOCUMENTS

2014/0033494 A1* 2/2014 O'Sullivan F16B 23/00
29/426.2
2016/0298670 A1* 10/2016 Diniz H01R 43/04
2018/0212558 A1* 7/2018 Meller B25J 5/007
2018/0212559 A1* 7/2018 Meller H02S 20/32
2018/0216652 A1* 8/2018 Wagner C21D 9/0093
2019/0154072 A1* 5/2019 Mahrenholtz F16B 25/0057
2020/0072505 A1* 3/2020 Hudson F24S 25/13
2020/0076355 A1* 3/2020 Hudson F24S 25/70
2020/0149241 A1* 5/2020 Flanigan E02D 7/24
2020/0217034 A1* 7/2020 Karkheck E02D 7/06
2020/0248424 A1* 8/2020 Hudson E02D 5/801
2020/0284293 A1* 9/2020 Pesce F16C 17/035
2020/0304060 A1* 9/2020 Hudson F24S 25/13
2020/0308795 A1* 10/2020 Almy E02D 5/56
2021/0071743 A1* 3/2021 de Paula F16H 25/2233
2021/0088072 A1* 3/2021 Chen F16B 35/00

OTHER PUBLICATIONS

Dewalt Hex Washer Screw Anchor, Grainger, first available [2020],
<https://www.grainger.com/>, [online], [site visited Oct. 24, 2020],
Available from internet URL:<https://www.grainger.com/product/DEWALT-ENGINEERED-BY-POWERS-Hex-Washer-Screw-Anchor-411D43> (Year: 2020).*

* cited by examiner

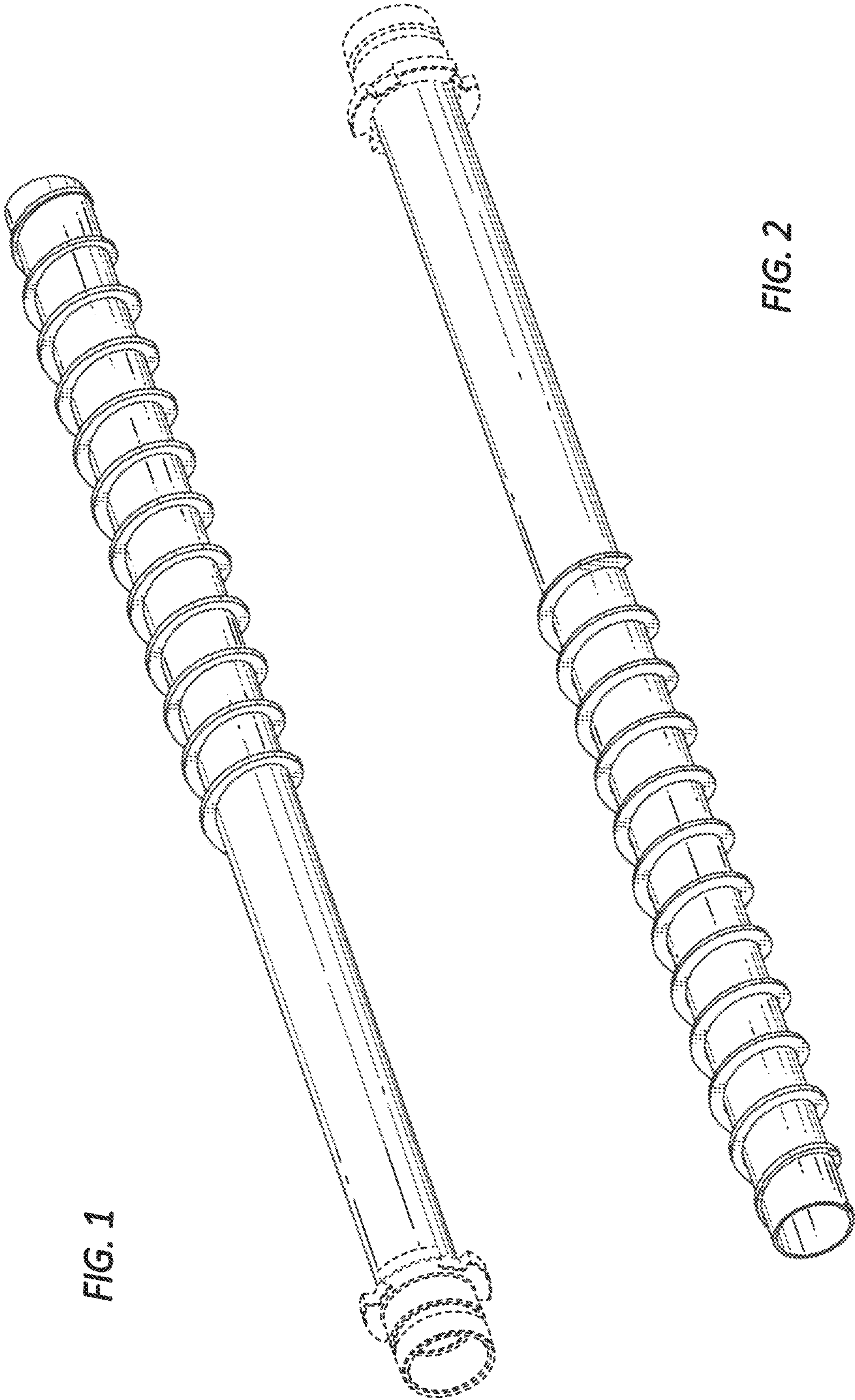


FIG. 1

FIG. 2

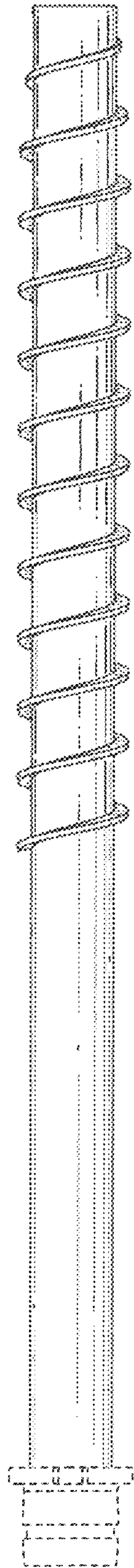


FIG. 3

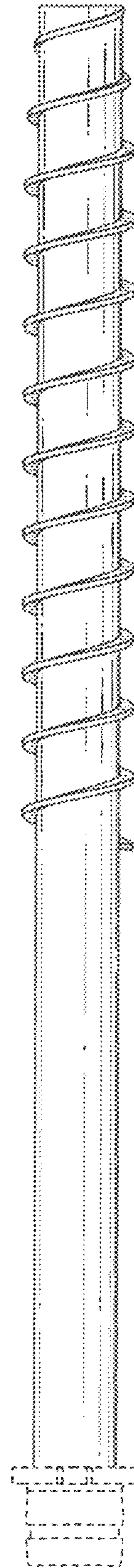


FIG. 4

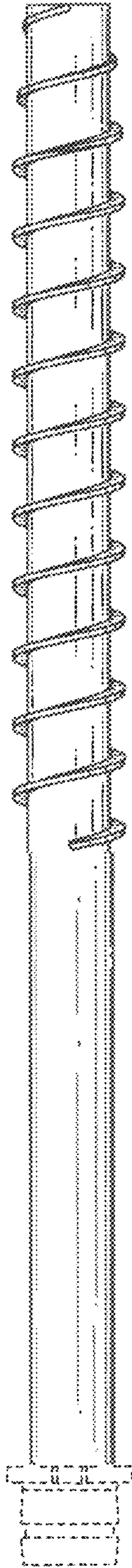


FIG. 5

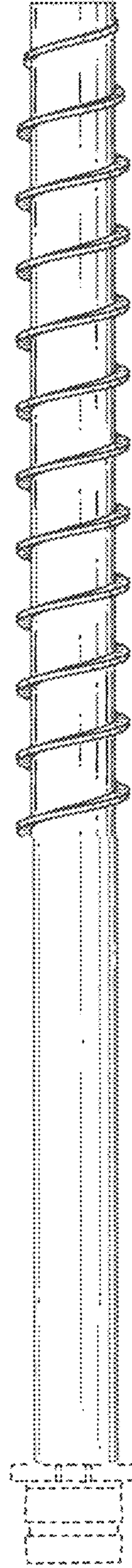


FIG. 6

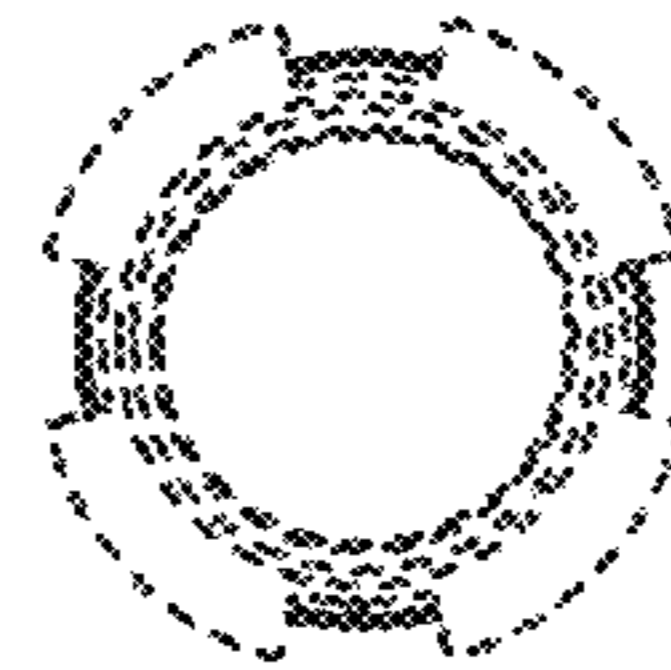


FIG. 7



FIG. 8