



US00D927967S

(12) **United States Design Patent**  
**Lam**

(10) **Patent No.:** **US D927,967 S**

(45) **Date of Patent:** **\*\* Aug. 17, 2021**

(54) **CURTAIN RING**

(71) Applicant: **SF Home Décor, LLC**, New York, NY (US)

(72) Inventor: **Sondra Lam**, Barrington, IL (US)

(73) Assignee: **Zahner Design Group, Ltd.**, New York, NY (US)

(\*\*) Term: **15 Years**

(21) Appl. No.: **29/688,094**

(22) Filed: **Apr. 18, 2019**

**Related U.S. Application Data**

(63) Continuation of application No. 29/604,590, filed on May 18, 2017, now Pat. No. Des. 848,825.

(51) **LOC (13) Cl.** ..... **08-05**

(52) **U.S. Cl.**  
USPC ..... **D8/368**

(58) **Field of Classification Search**  
USPC ..... D8/354, 367, 18, 15, 356, 368, 394;  
D11/208, 218; 248/341  
CPC ..... F16M 13/02; A44B 13/0029; A45F 5/021;  
A45F 5/02; F16B 45/00  
See application file for complete search history.

(56) **References Cited**

**U.S. PATENT DOCUMENTS**

D254,460 S *	3/1980	Tegner	.....	D6/546
D263,182 S *	3/1982	Thompson	.....	D6/546
D272,590 S *	2/1984	Shames	.....	D6/546
4,494,718 A *	1/1985	Clay	.....	A47G 21/16
				24/7
D289,852 S *	5/1987	Tuvelson	.....	D8/373

D296,299 S *	6/1988	Bussell	.....	D10/32
D299,313 S *	1/1989	Bussell	.....	D8/367
D671,816 S *	12/2012	Stone	.....	D8/349
9,058,172 B2 *	6/2015	Babu	.....	G06K 7/10128
9,396,368 B1 *	7/2016	Lamba	.....	H04B 5/0031
D766,238 S *	9/2016	Nguyen	.....	D14/385
D797,740 S *	9/2017	Nguyen	.....	D14/385
D809,904 S *	2/2018	Smith	.....	D8/368
D818,809 S *	5/2018	Hetrick	.....	D8/394
D822,474 S *	7/2018	Nguyen	.....	D8/394
D831,474 S *	10/2018	Littrell	.....	D8/382
D848,825 S *	5/2019	Lam	.....	D8/368
D896,617 S *	9/2020	Zhan	.....	D8/354

\* cited by examiner

*Primary Examiner* — Cynthia R Underwood

(74) *Attorney, Agent, or Firm* — Goldberg Cohen LLP

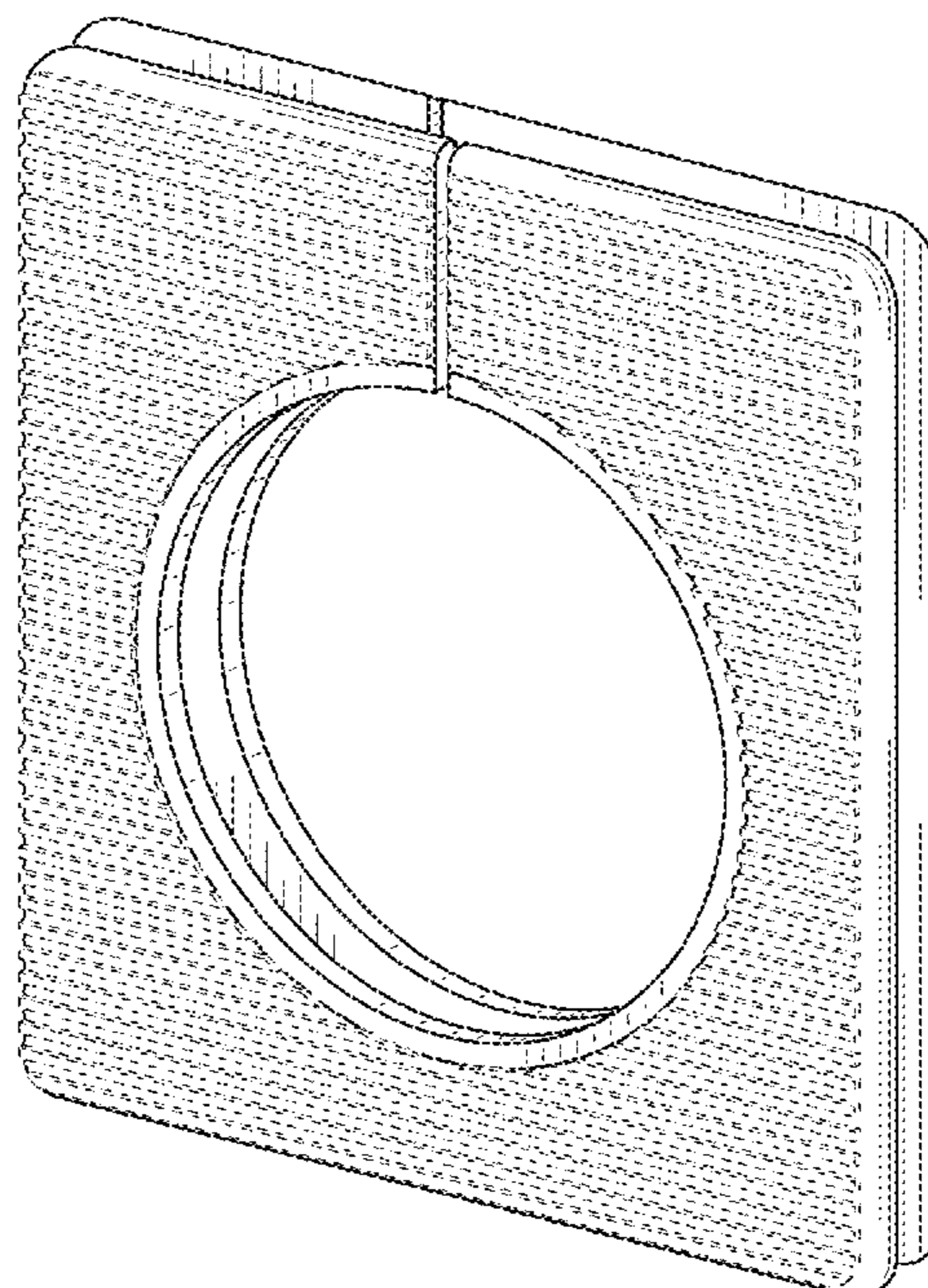
(57) **CLAIM**

I claim the ornamental design for a curtain ring, as shown.

**DESCRIPTION**

FIG. 1 is a perspective view of the curtain ring of the present invention;  
 FIG. 2 is a front view of the curtain ring of the present invention;  
 FIG. 3 is a back view of the curtain ring of the present invention;  
 FIG. 4 is a left side view of the curtain ring of the present invention;  
 FIG. 5 is a right side view of the curtain ring of the present invention;  
 FIG. 6 is a top view of the ring of the present invention; and,  
 FIG. 7 is a bottom view of the curtain ring of the present invention.  
 The broken lines represent portions of the structure that form no part of the claim.

**1 Claim, 3 Drawing Sheets**



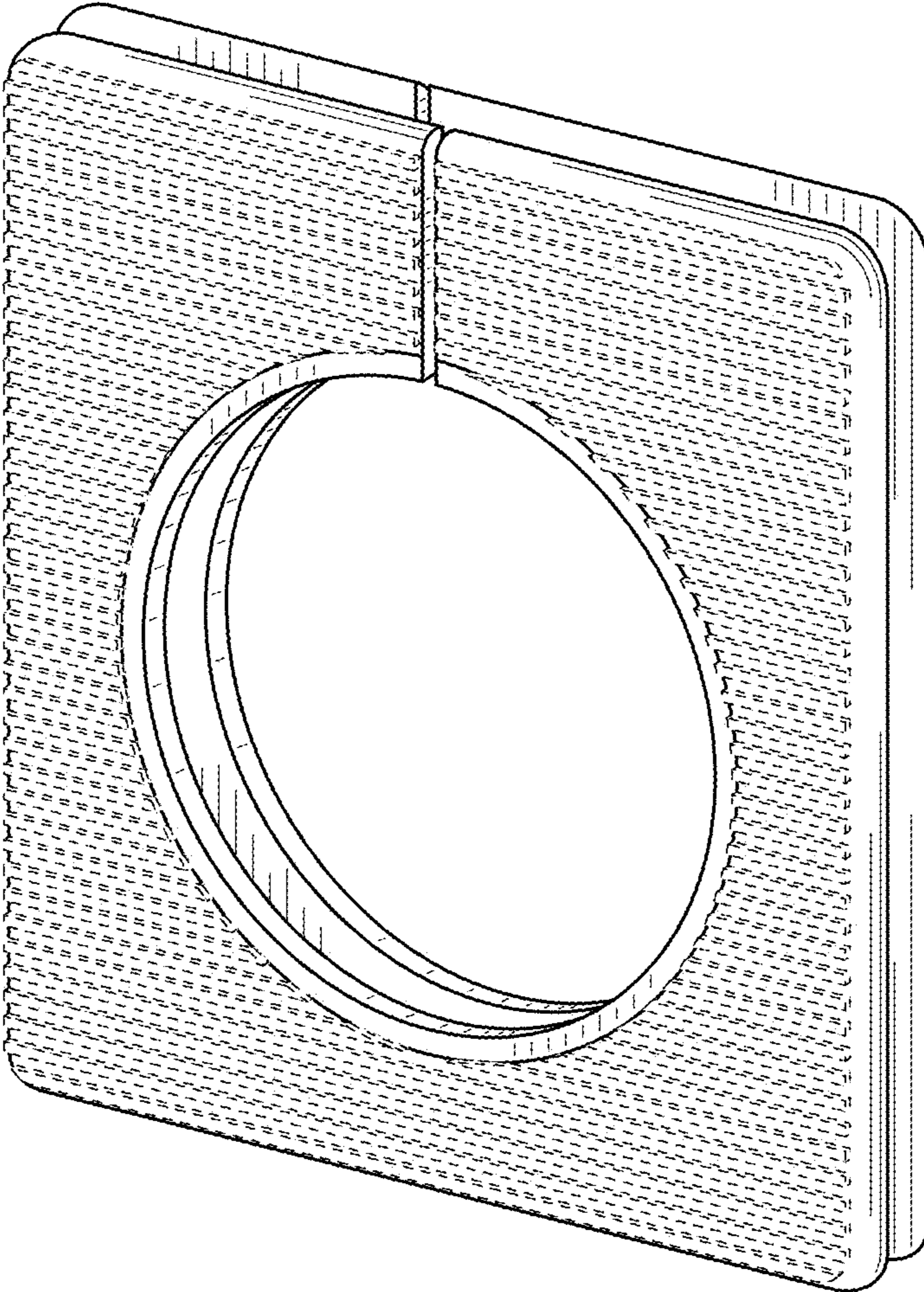


FIG. 1

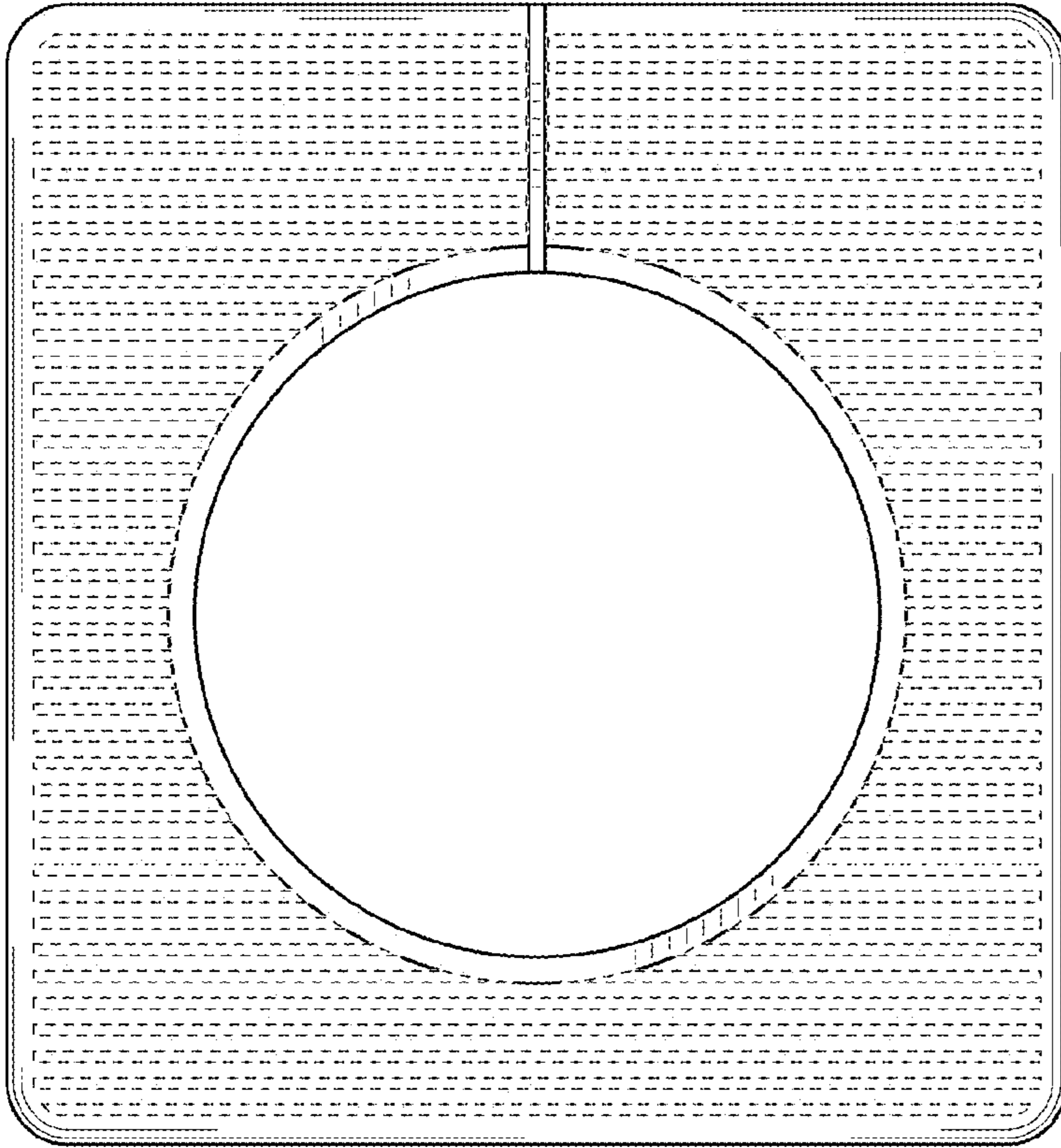


FIG. 2

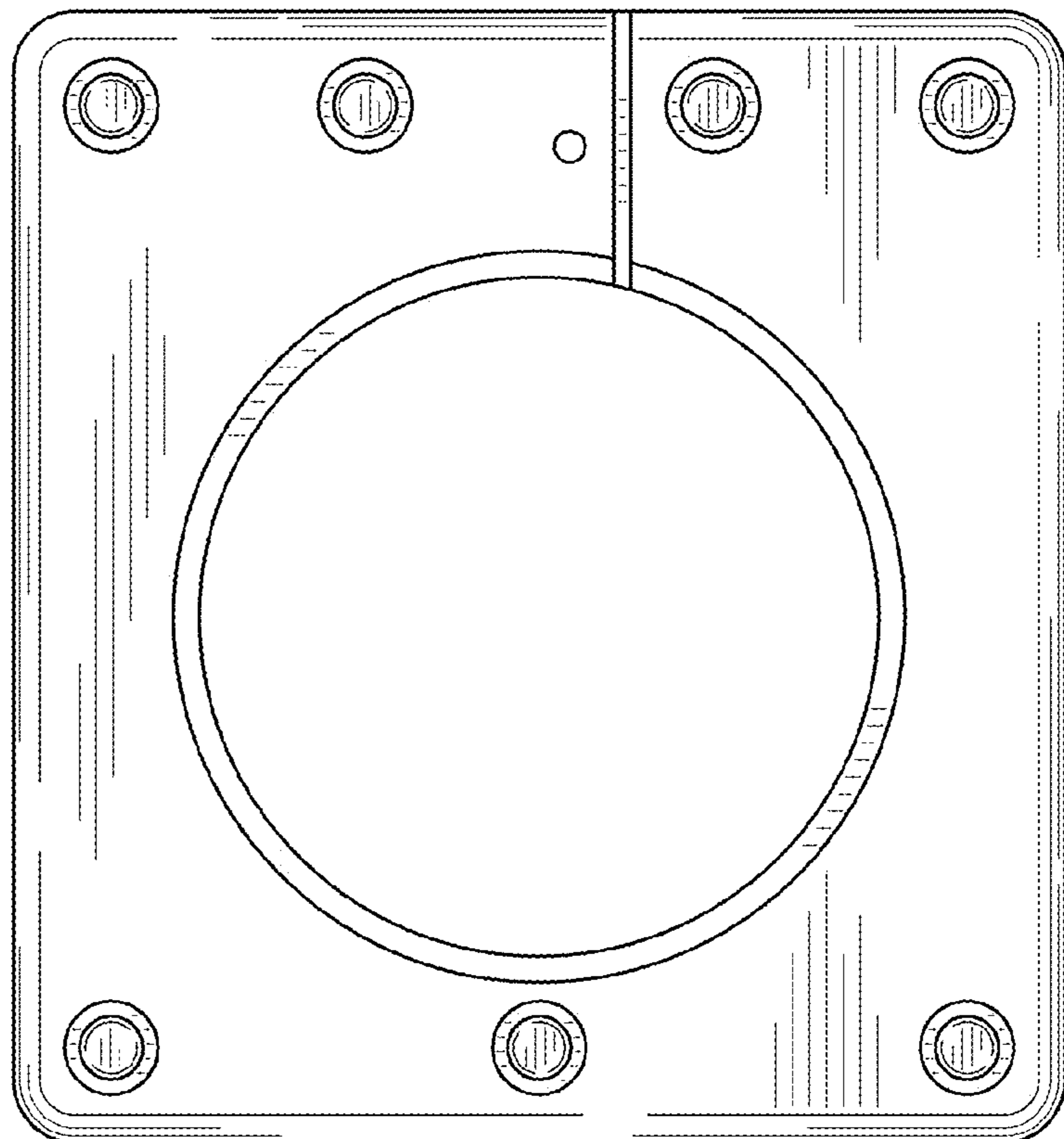
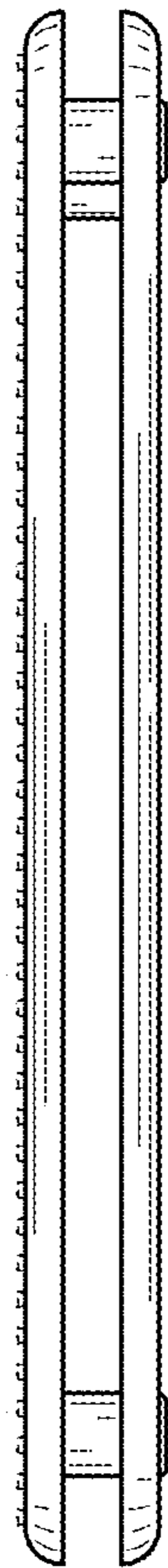
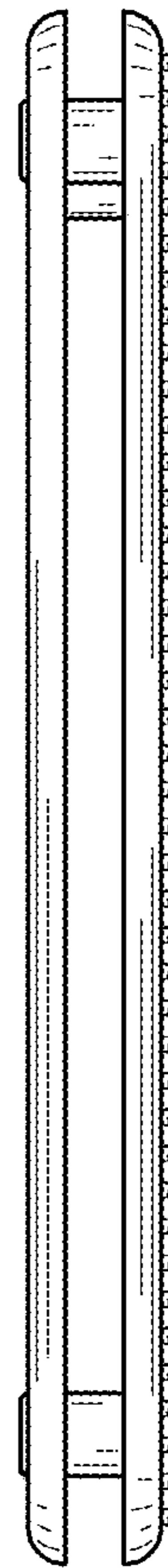


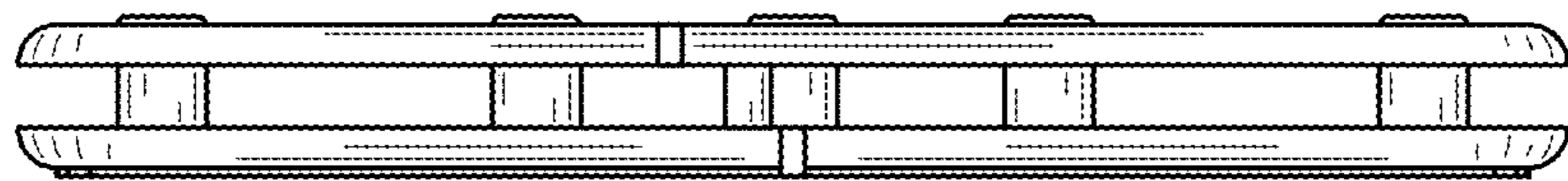
FIG. 3



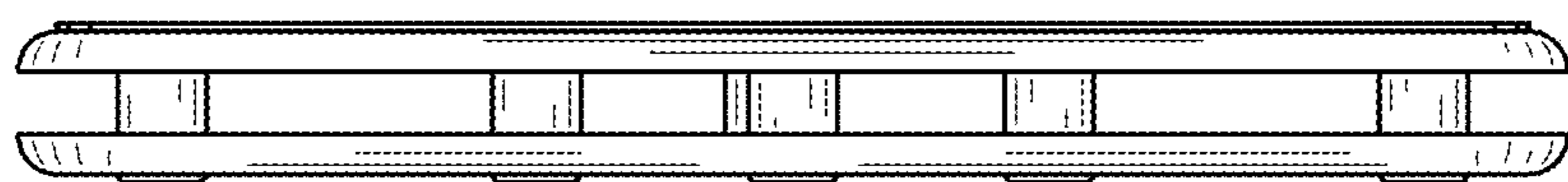
**FIG. 4**



**FIG. 5**



**FIG. 6**



**FIG. 7**