

US00D927966S

(12) **United States Design Patent**
Werlinger

(10) **Patent No.:** **US D927,966 S**

(45) **Date of Patent:** **** Aug. 17, 2021**

(54) **REBAR JIG**

(71) Applicant: **Gary Werlinger**, Gilbert, AZ (US)

(72) Inventor: **Gary Werlinger**, Gilbert, AZ (US)

(**) Term: **15 Years**

(21) Appl. No.: **29/741,406**

(22) Filed: **Jul. 13, 2020**

7,451,579	B2	11/2008	Azarin	
D587,096	S	2/2009	Smith	
D587,097	S	2/2009	Smith	
7,735,273	B2	6/2010	Knepp	
7,850,399	B2	12/2010	Render	
D641,611	S	7/2011	Minayoshi	
8,387,329	B2	3/2013	Stevens	
8,496,237	B2*	7/2013	Rolle B23K 37/0452 269/57
8,533,956	B2	9/2013	Perry	
9,745,752	B2	8/2017	Strabala	
D858,799	S	9/2019	Anderson	
D889,938	S*	7/2020	Werlinger D8/354
10,895,082	B1*	1/2021	Werlinger E04C 5/0622

Related U.S. Application Data

(62) Division of application No. 29/608,987, filed on Jun. 27, 2017, now Pat. No. Des. 889,938.

(51) **LOC (13) Cl.** **08-05**

(52) **U.S. Cl.**
USPC **D8/354**

(58) **Field of Classification Search**
USPC D8/354; D25/66
CPC E06C 1/32
See application file for complete search history.

* cited by examiner

Primary Examiner — Keli L Hill

Assistant Examiner — Harold E Blackwell, II

(74) *Attorney, Agent, or Firm* — Adam R. Stephenson, Ltd.

(56) **References Cited**

U.S. PATENT DOCUMENTS

277,374	A*	5/1883	Strohm H01B 3/082 174/111
289,165	A*	11/1883	Strohm H01B 3/082 174/111
354,892	A*	12/1886	Du Bois H02G 9/06 174/99 R
3,694,989	A	10/1972	Oliver	
5,347,787	A	9/1994	Gavin	
5,542,785	A	8/1996	Cloud	
6,115,987	A	9/2000	Tatum	
6,385,938	B1	5/2002	Gavin	
6,860,077	B2	3/2005	Yin	

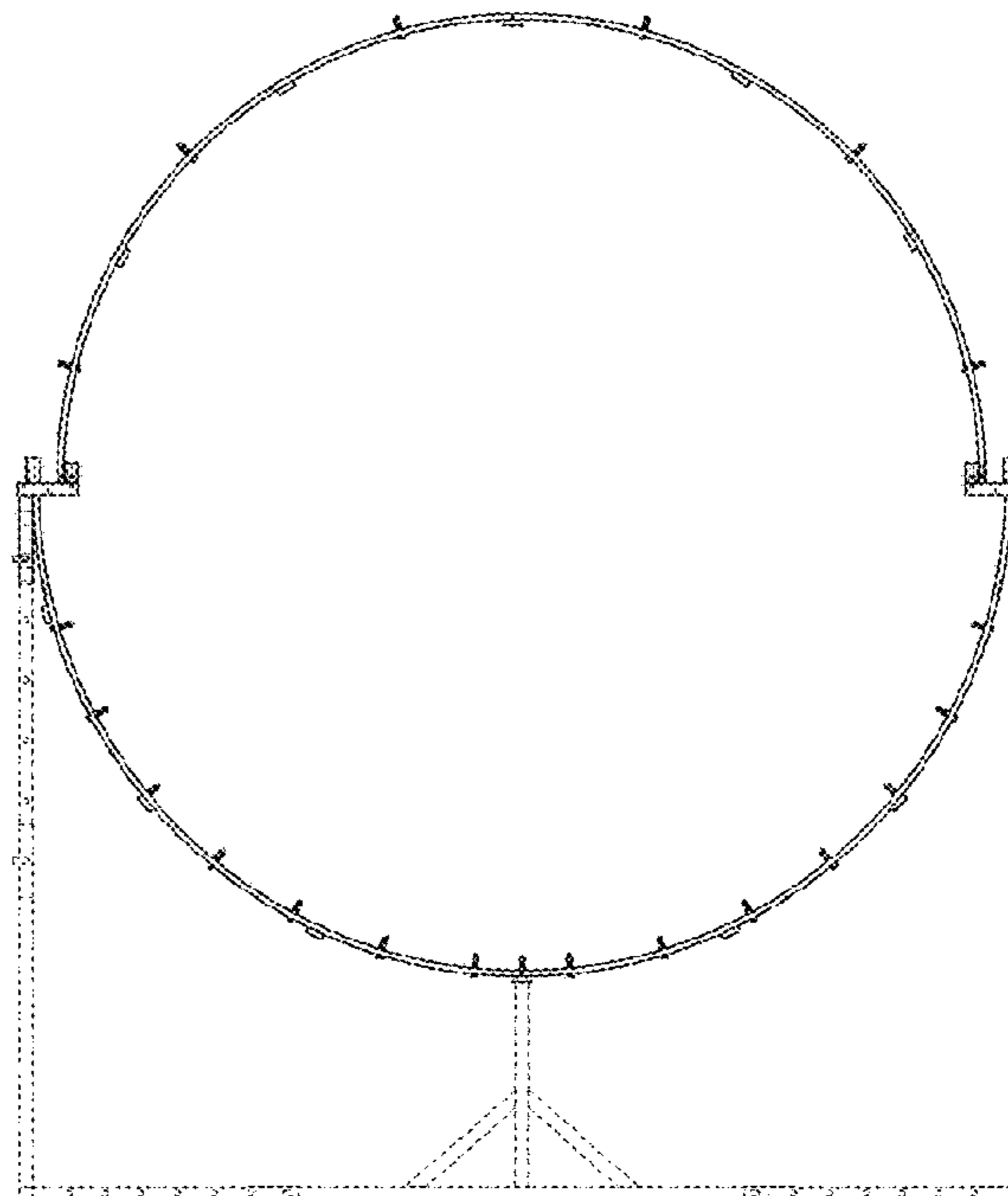
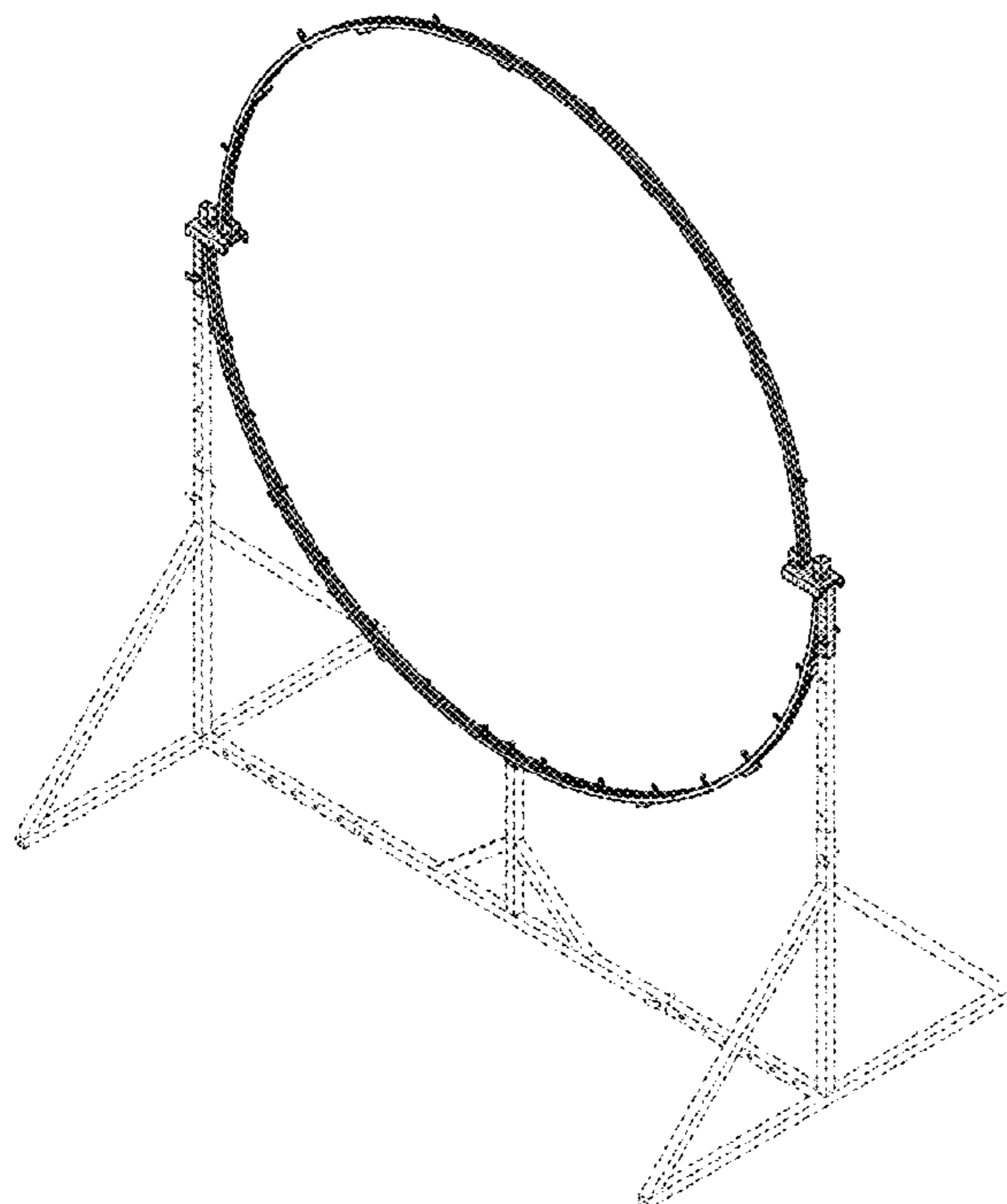
(57) **CLAIM**

The ornamental design for a rebar jig, as shown and described.

DESCRIPTION

FIG. 1 is a front perspective view of a rebar jig; FIG. 2 is a front view thereof; FIG. 3 is a rear view thereof; FIG. 4 is a left view thereof; FIG. 5 is a right view thereof; FIG. 6 is a top view thereof; and, FIG. 7 is a bottom view thereof. The broken lines in the drawings illustrate portions of a rebar jig which form no part of the claimed design.

1 Claim, 7 Drawing Sheets



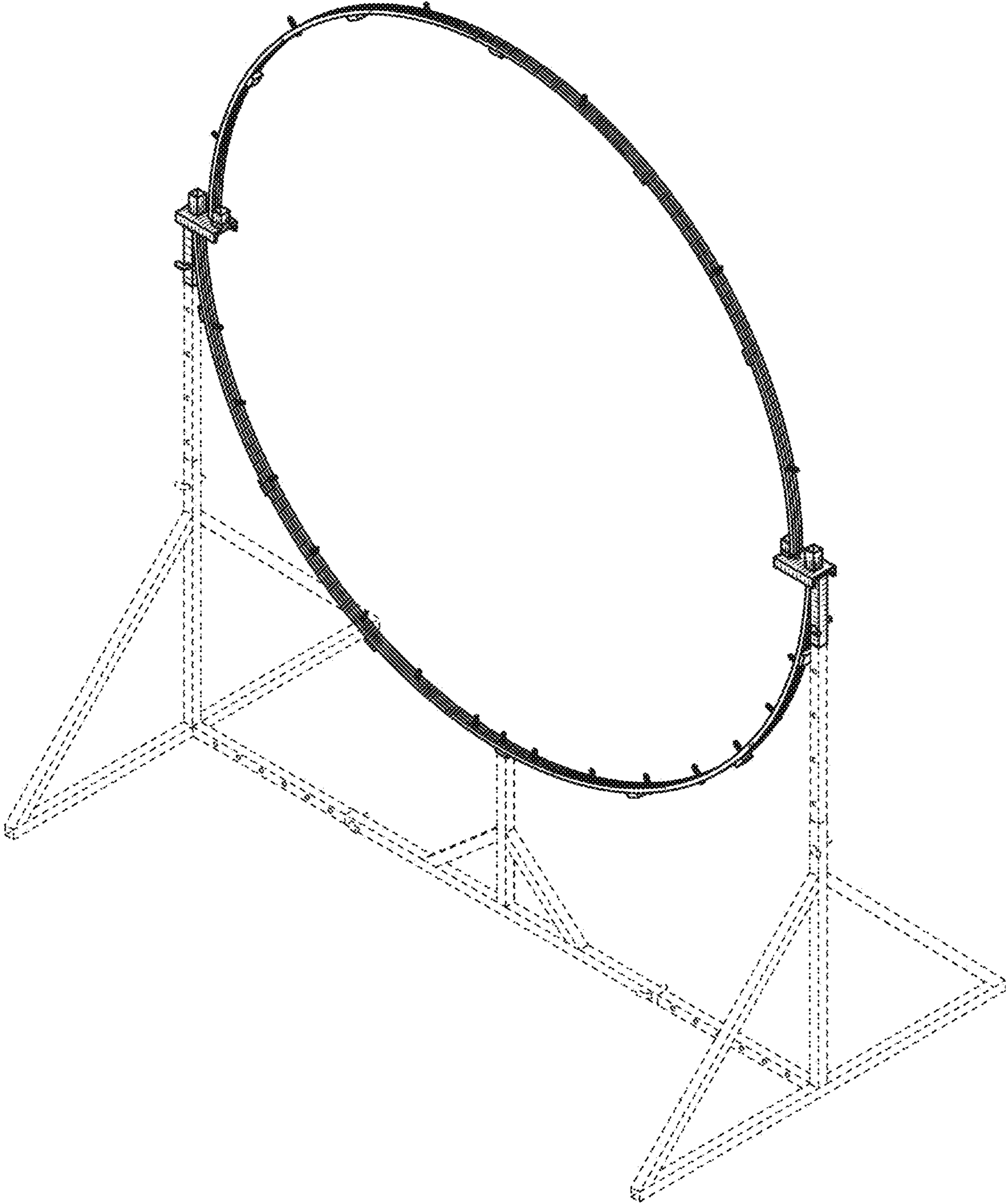


FIG. 1

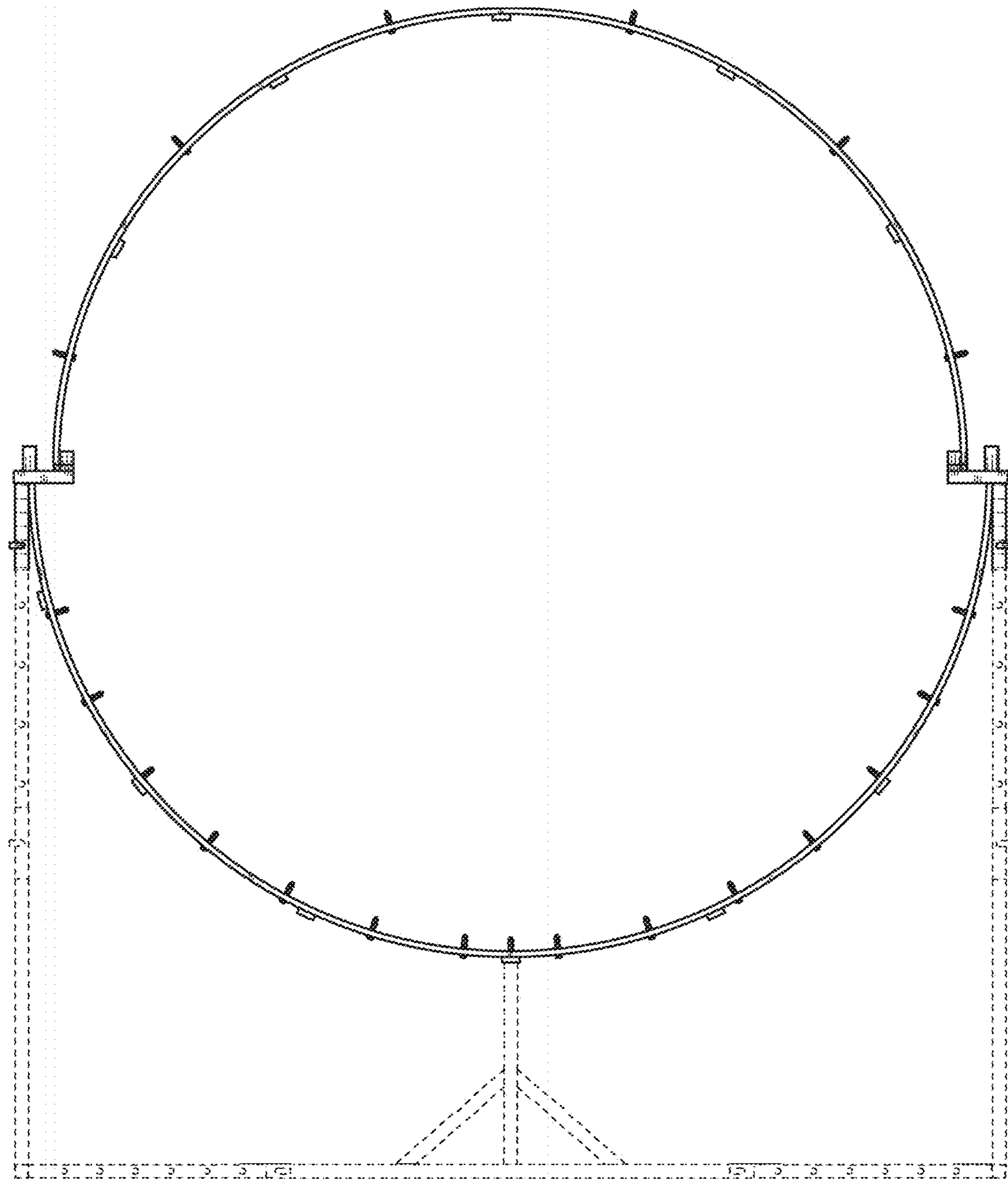


FIG. 2

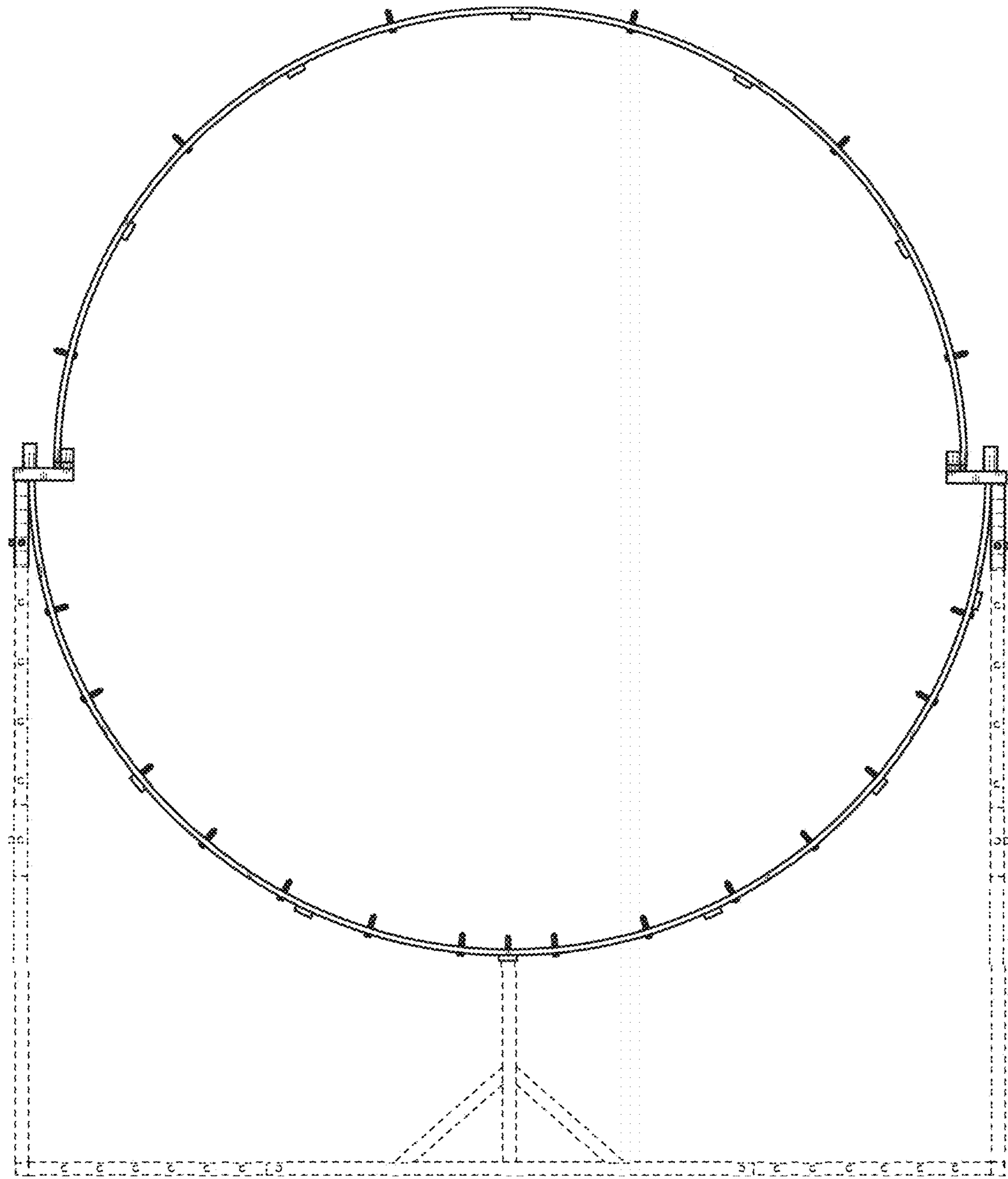


FIG. 3

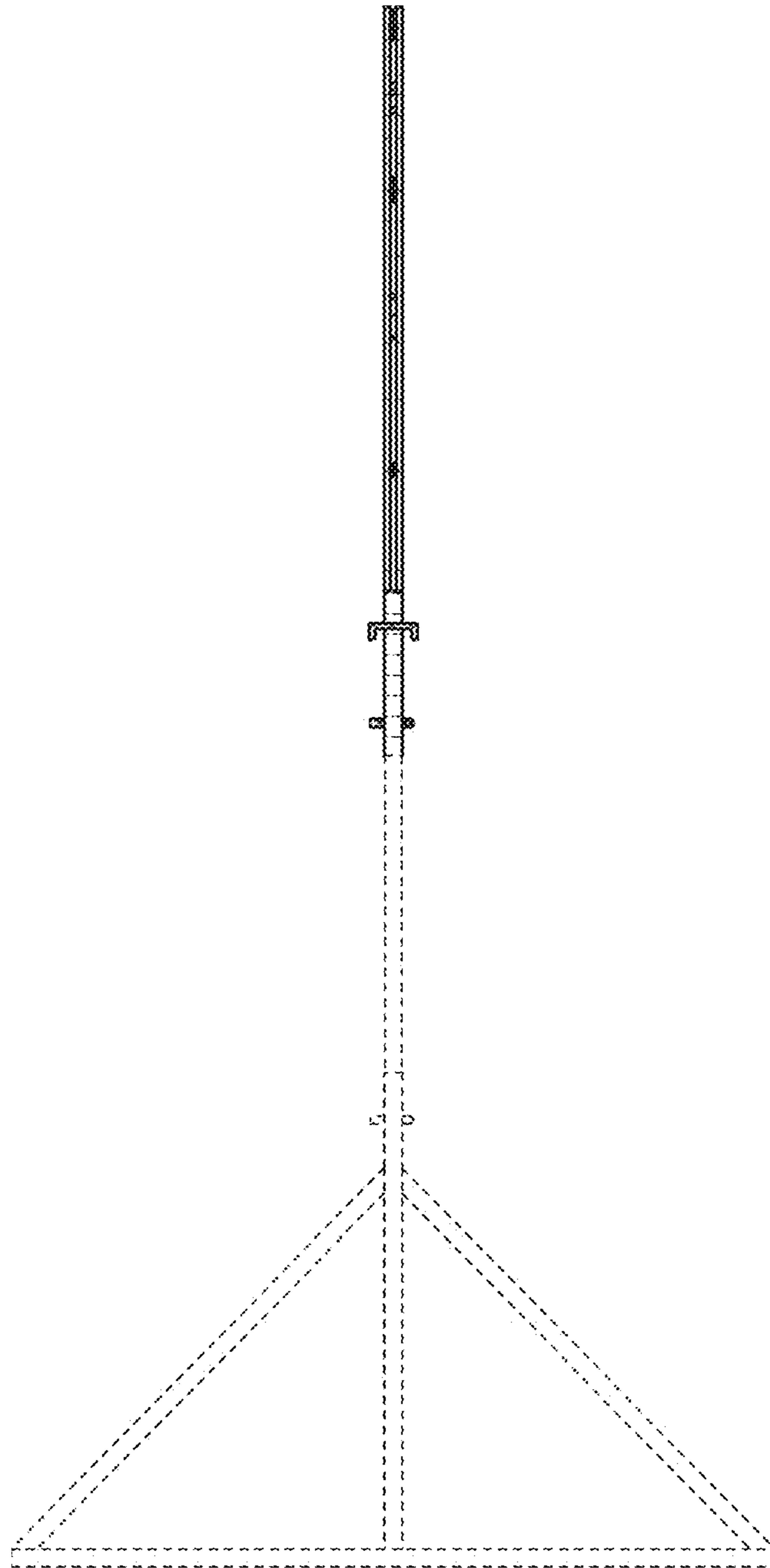


FIG. 4

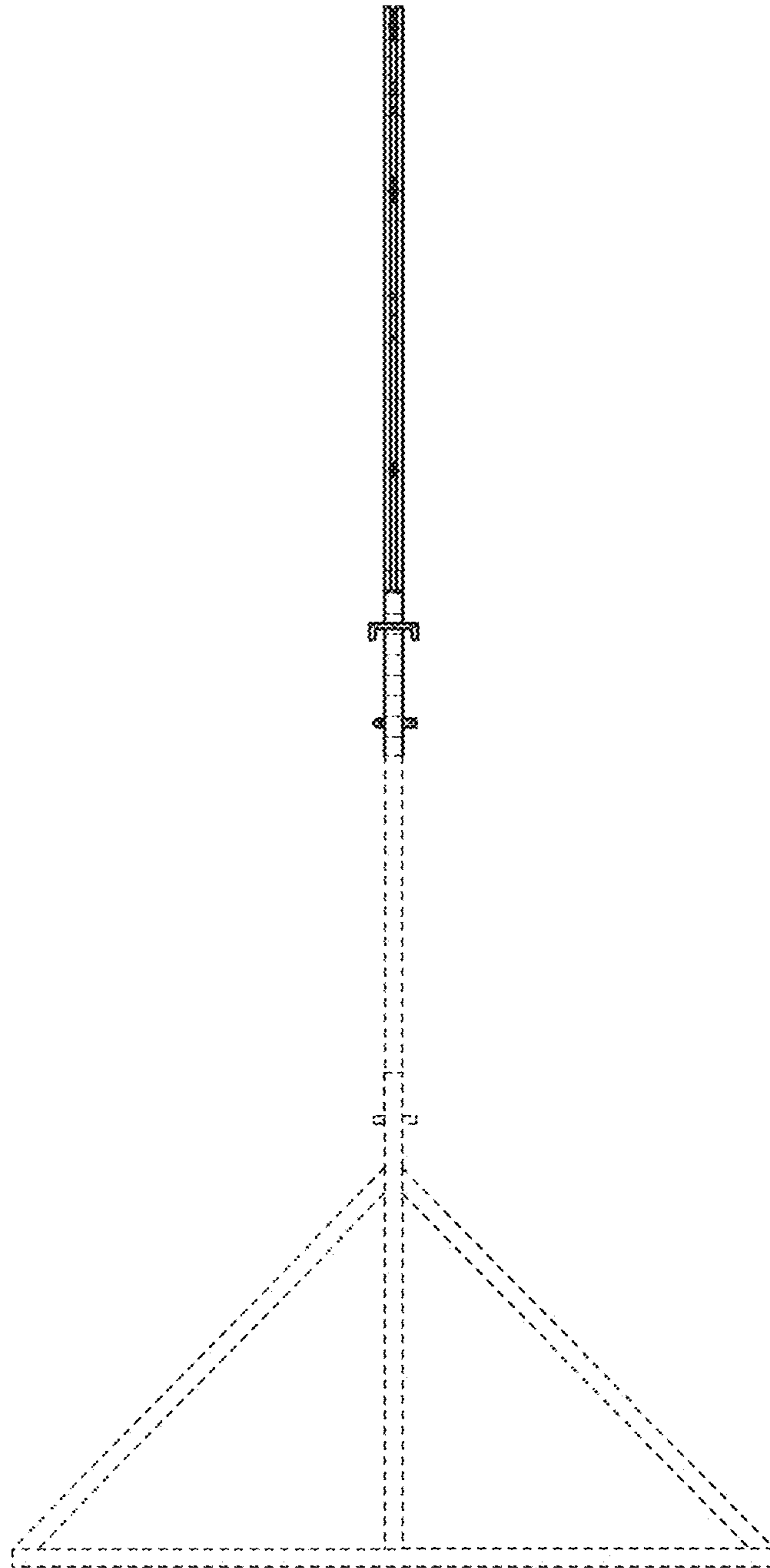


FIG. 5

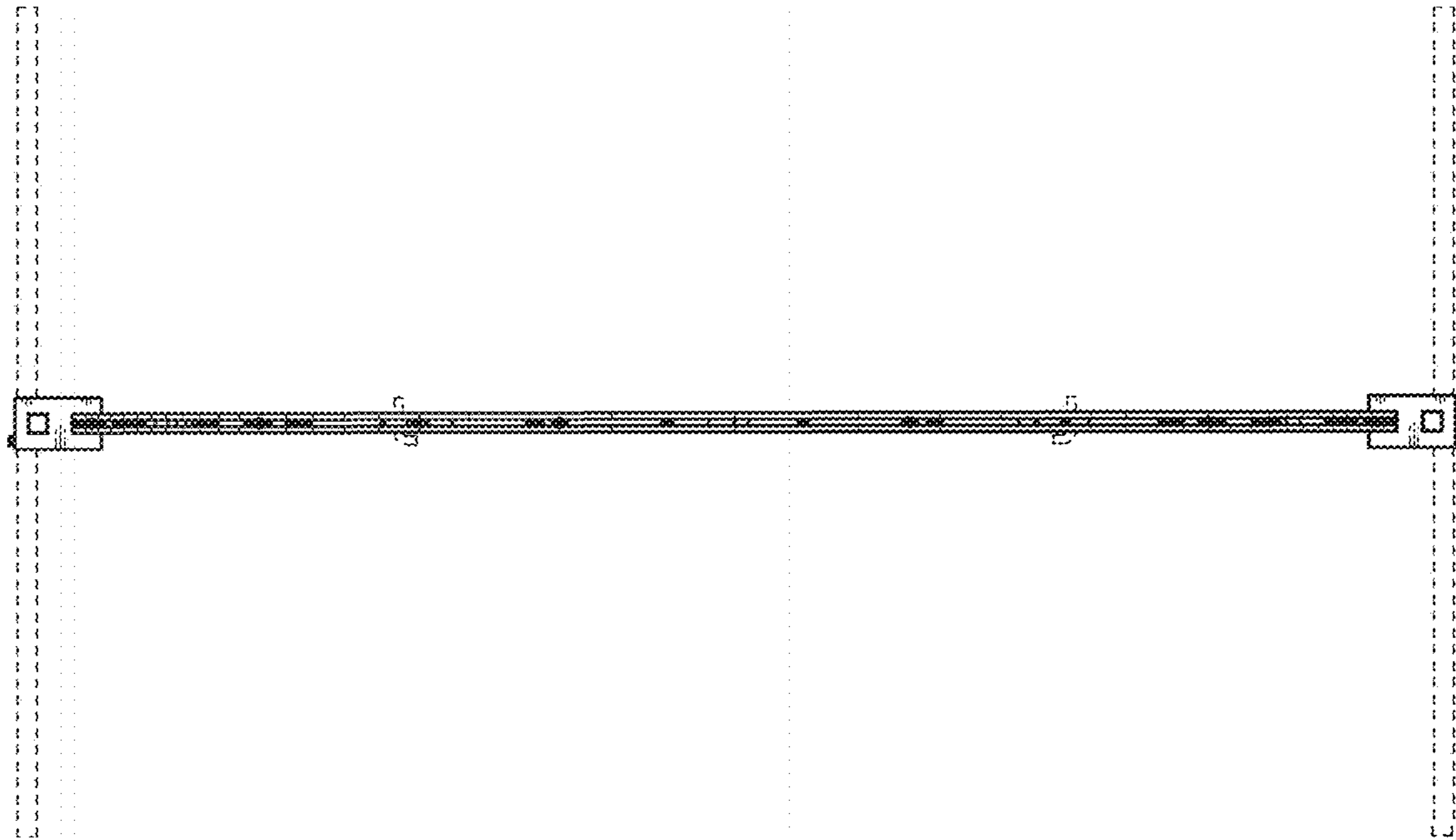


FIG. 6

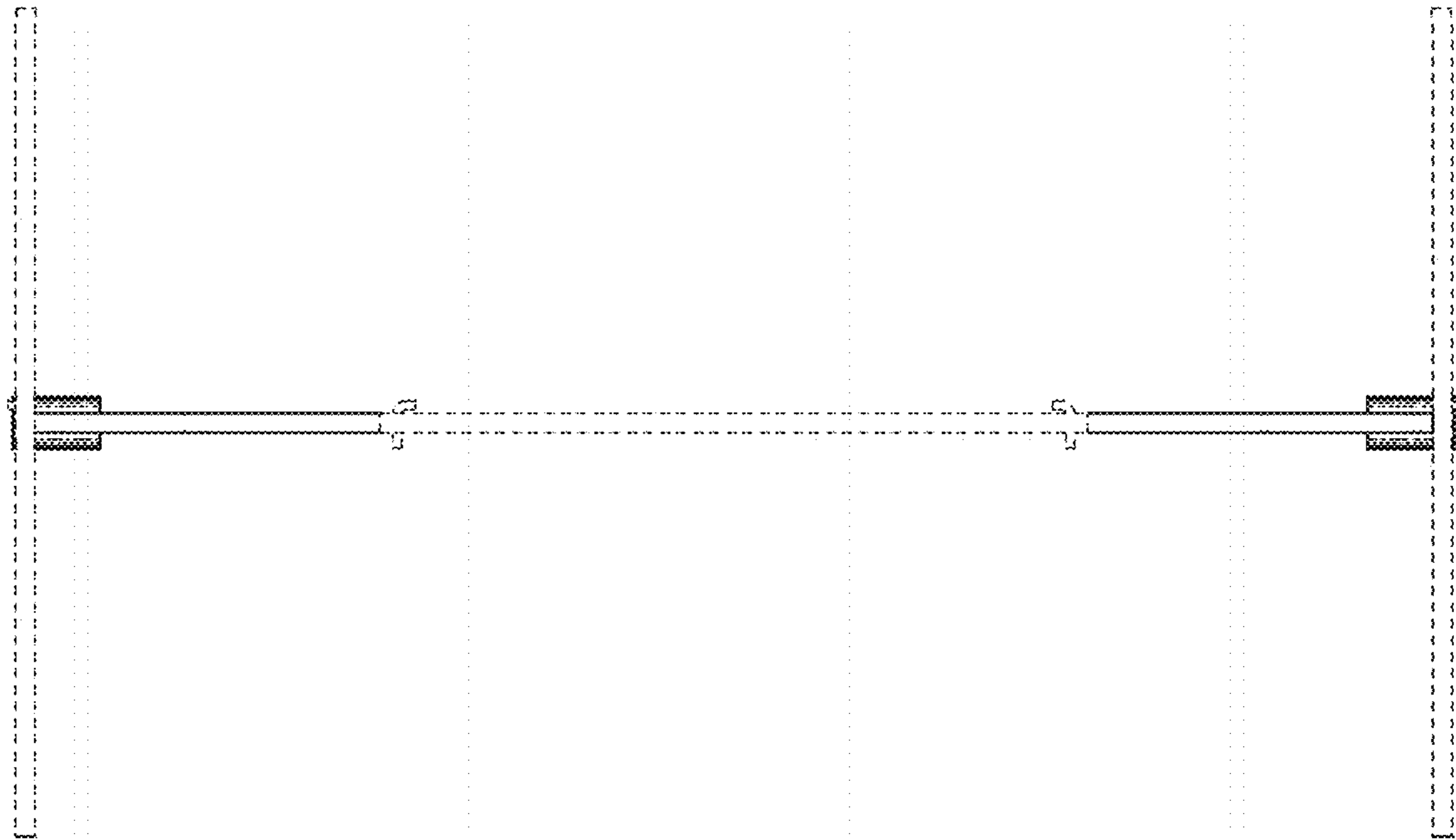


FIG. 7