



US00D927963S

(12) **United States Design Patent** (10) **Patent No.:** **US D927,963 S**  
**Beristany et al.** (45) **Date of Patent:** **\*\* Aug. 17, 2021**

(54) **ADJUSTABLE FIXTURE MOUNTING ASSEMBLY**

4,909,405 A 3/1990 Kerr, Jr.  
5,044,582 A 9/1991 Walters  
5,150,868 A 9/1992 Kaden  
5,234,119 A 8/1993 Jorgensen et al.

(71) Applicant: **Hubbell Incorporated**, Shelton, CT (US)

(Continued)

(72) Inventors: **Victor Beristany**, Mishawaka, IN (US);  
**Krzysztof Wojciech Korcz**, Granger, IN (US)

**OTHER PUBLICATIONS**

Hubbell Incorporated, Raco—Ceiling Fan Boxes Brochure, 2012.  
(Continued)

(73) Assignee: **HUBBELL INCORPORATED**, Shelton, CT (US)

*Primary Examiner* — Mark A Goodwin

*Assistant Examiner* — Benjamin M Weeks

(\*\*) Term: **15 Years**

(74) *Attorney, Agent, or Firm* — Wissing Miller LLP

(21) Appl. No.: **29/713,979**

(57) **CLAIM**

The ornamental design for an adjustable fixture mounting assembly, as shown and described.

(22) Filed: **Nov. 20, 2019**

(51) **LOC (13) Cl.** ..... **08-08**

(52) **U.S. Cl.**

USPC ..... **D8/349**

(58) **Field of Classification Search**

USPC ..... D6/300, 301, 320, 323, 325, 326, 328,  
D6/576, 577, 579, 580; D8/349, 354,  
D8/355, 363, 373–377; D12/317, 400,  
D12/415, 416; D13/154, 133, 129, 199  
CPC .. F16C 2314/72; F16C 29/0623; F16C 29/06;  
F16C 29/0609; F16C 29/005; F16C  
29/008; F16C 29/04; F16C 29/0657;  
F16C 29/004; F16C 29/12; A47B 1/10;  
A47B 88/493; A47B 88/423; A47B  
2088/4235

See application file for complete search history.

**DESCRIPTION**

FIG. 1 is a top perspective view from a first end of another embodiment of the new design for an adjustable fixture mounting assembly in accordance with the present invention;

FIG. 2 is a top perspective view from a second end of the adjustable fixture mounting assembly shown in FIG. 1;

FIG. 3 is an elevation view of a first side of the adjustable fixture mounting assembly shown in FIG. 1;

FIG. 4 is an elevation view of a second side of the adjustable fixture mounting assembly shown in FIG. 1;

FIG. 5 is an end elevation view of the first end of the adjustable fixture mounting assembly shown in FIG. 1;

FIG. 6 is an end elevation view of the second end of the adjustable fixture mounting assembly shown in FIG. 1;

FIG. 7 is a top plan view of the adjustable fixture mounting assembly shown in FIG. 1; and,

FIG. 8 is a bottom plan view of the adjustable fixture mounting assembly shown in FIG. 1.

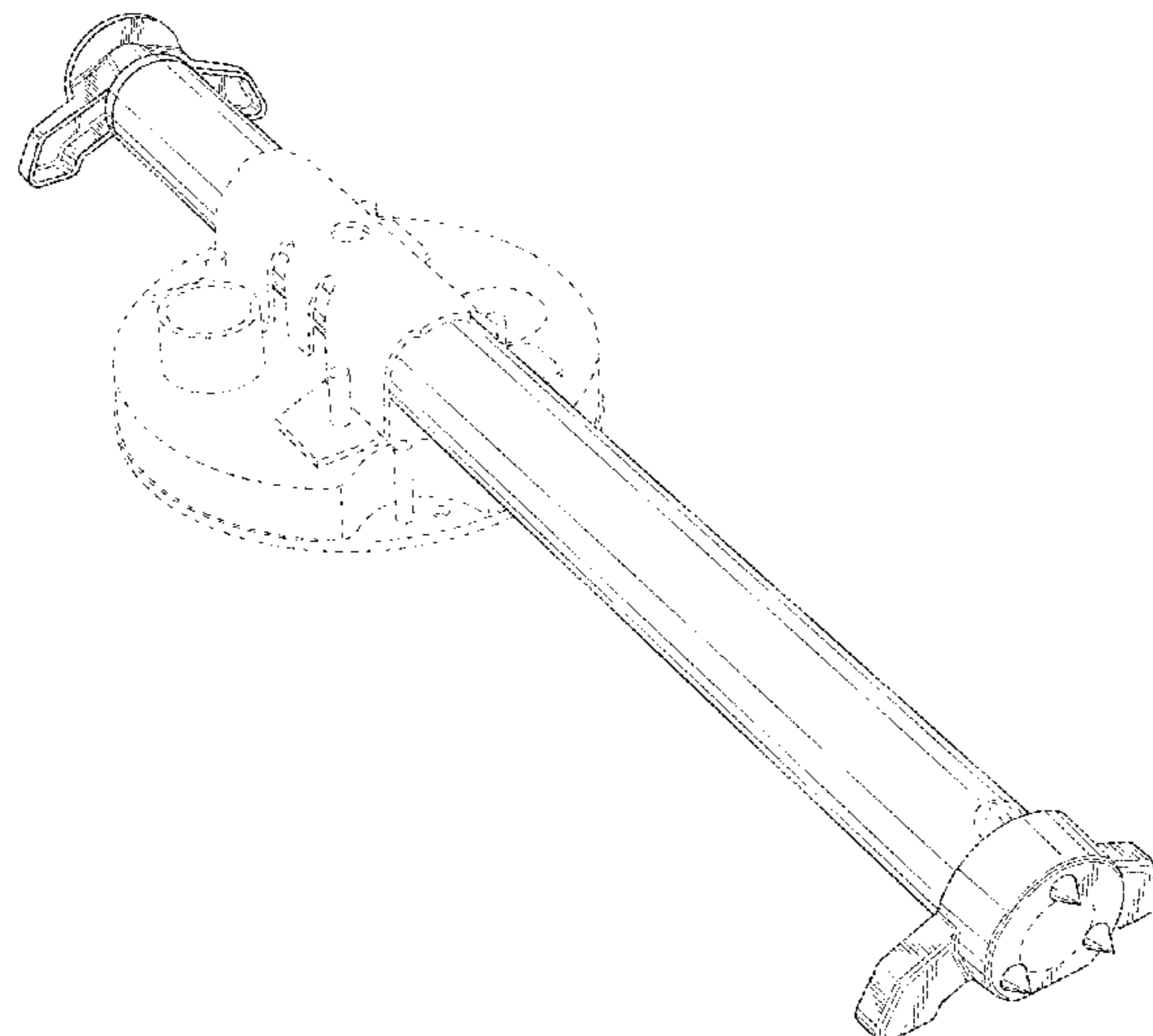
The broken lines are for environmental purposes only and form no part of the claimed design.

(56) **References Cited**

**U.S. PATENT DOCUMENTS**

1,622,087 A 3/1927 Calderwood  
1,754,849 A 4/1930 Clayton  
2,321,640 A 6/1943 Adkins  
2,732,162 A 1/1956 McKinley  
D223,686 S \* 5/1972 Sadler ..... D15/7  
4,463,923 A 8/1984 Biker  
4,892,211 A 1/1990 Jorgensen

**1 Claim, 6 Drawing Sheets**



(56)

References Cited

U.S. PATENT DOCUMENTS

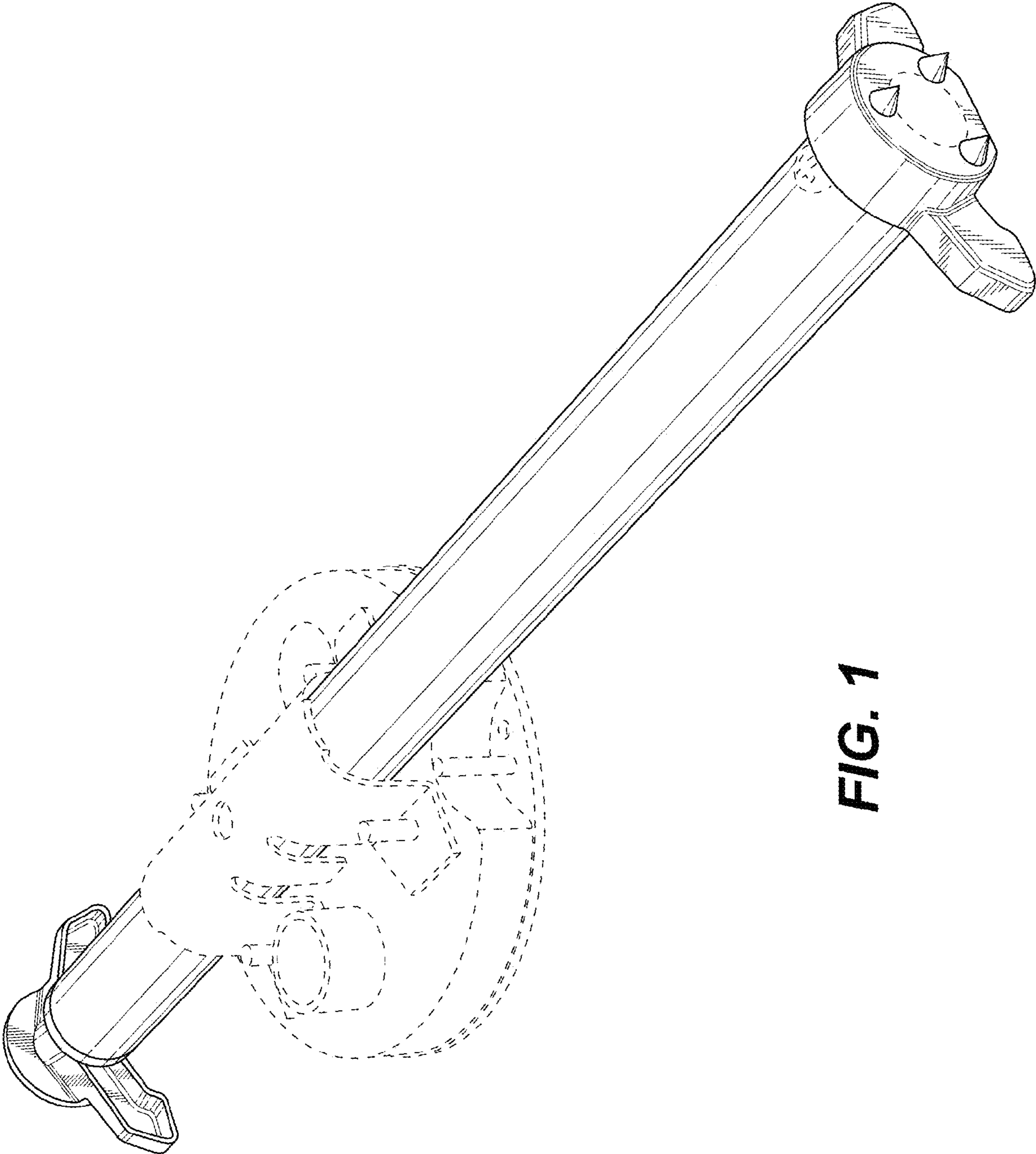
5,272,605 A 12/1993 Johnstone  
 5,303,894 A 4/1994 Deschamps et al.  
 5,393,026 A 2/1995 Deschamps et al.  
 5,484,076 A 1/1996 Petrushka  
 5,624,202 A 4/1997 Grierson  
 D384,674 S \* 10/1997 Grolle ..... D15/7  
 5,720,461 A 2/1998 Kerr, Jr.  
 5,954,304 A 9/1999 Jorgensen  
 6,595,479 B2 7/2003 Pfaller  
 6,761,341 B2 7/2004 Pfaller  
 6,889,943 B2 5/2005 Dinh et al.  
 7,148,420 B1 12/2006 Johnson et al.  
 7,837,172 B2 11/2010 Johnson et al.  
 8,889,984 B2 11/2014 Korcz et al.  
 9,285,074 B2 3/2016 Korcz et al.  
 9,470,360 B2 10/2016 Korcz et al.  
 9,627,867 B2 4/2017 Korcz et al.  
 D804,553 S \* 12/2017 Takagi ..... D15/143  
 9,899,817 B2 2/2018 Korcz et al.

10,008,842 B1 6/2018 Baldwin et al.  
 10,218,109 B2 \* 2/2019 Mortun ..... H02G 3/185  
 10,333,288 B2 6/2019 Korcz et al.  
 D854,895 S \* 7/2019 Cigarini ..... D8/8  
 D871,466 S \* 12/2019 Okada ..... D15/130  
 D884,757 S \* 5/2020 Fujii ..... D15/130  
 D885,867 S \* 6/2020 Chapman ..... D8/349  
 D898,654 S \* 10/2020 Huang ..... D12/400  
 2005/0109907 A1 5/2005 Herth  
 2005/0121561 A1 6/2005 Sweigard  
 2007/0062317 A1 \* 3/2007 Nagai ..... F16D 35/005  
 74/89  
 2014/0298933 A1 \* 10/2014 Kohlmeyer ..... F16H 25/20  
 74/89.32

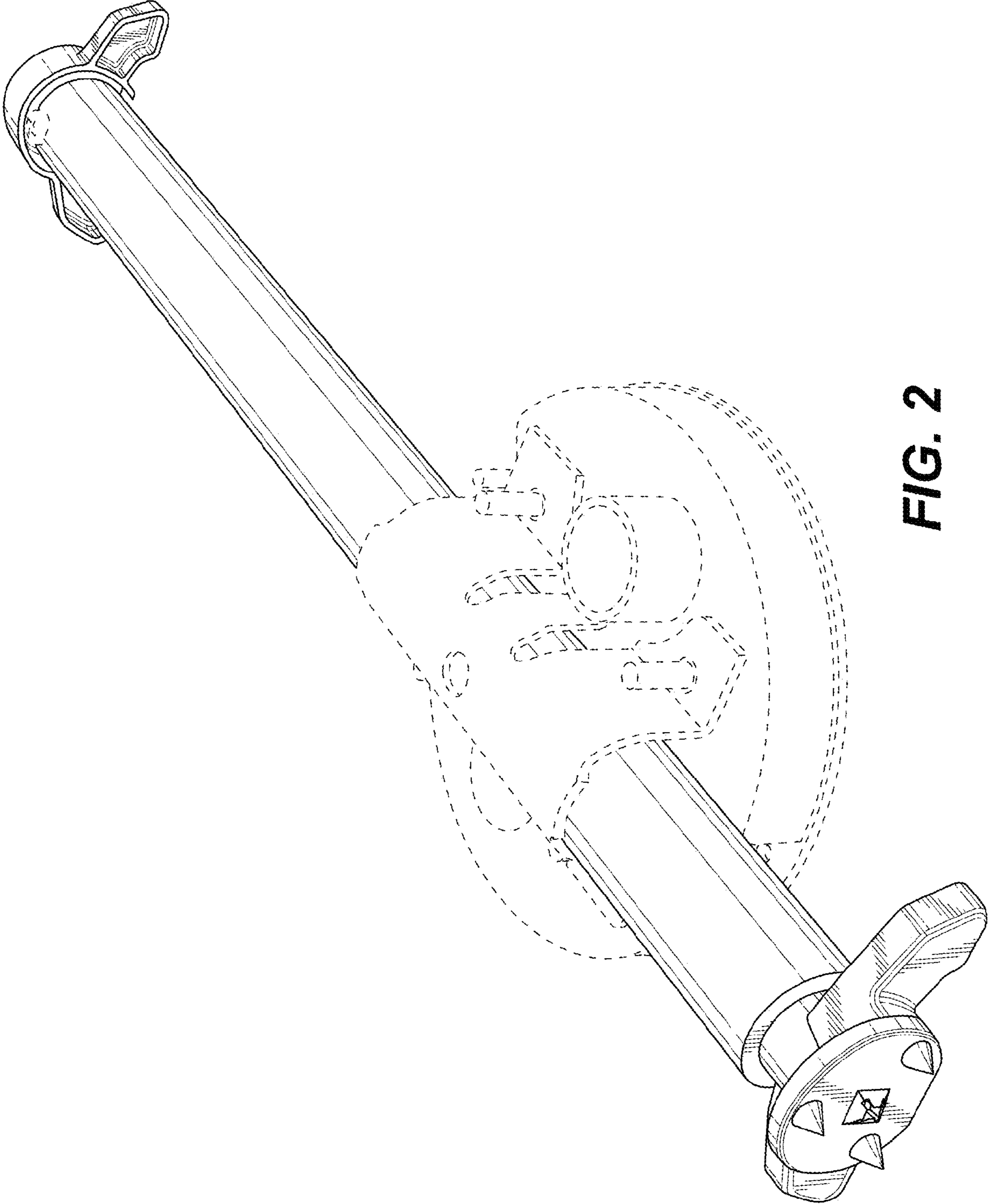
OTHER PUBLICATIONS

Hubbell Incorporated, Raco—Ceiling Fan Sales Drawings, Oct. 26, 2015.  
 Hubbel Canada LLP, Kwik-Brace Brochure, Jul. 2012.

\* cited by examiner

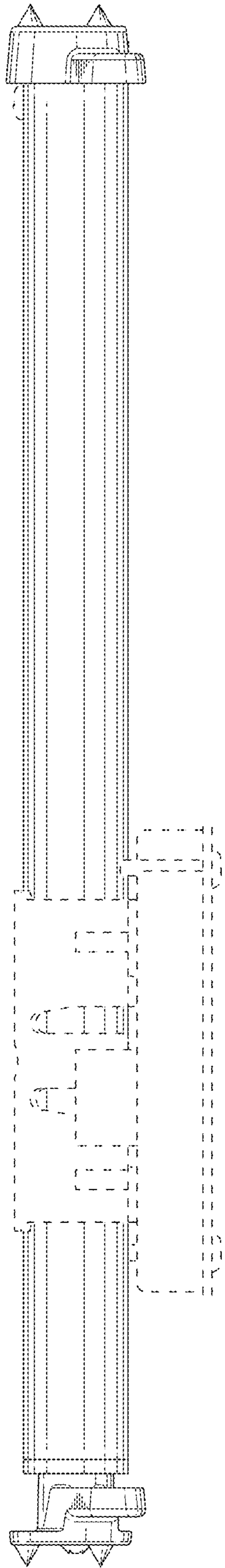


**FIG. 1**

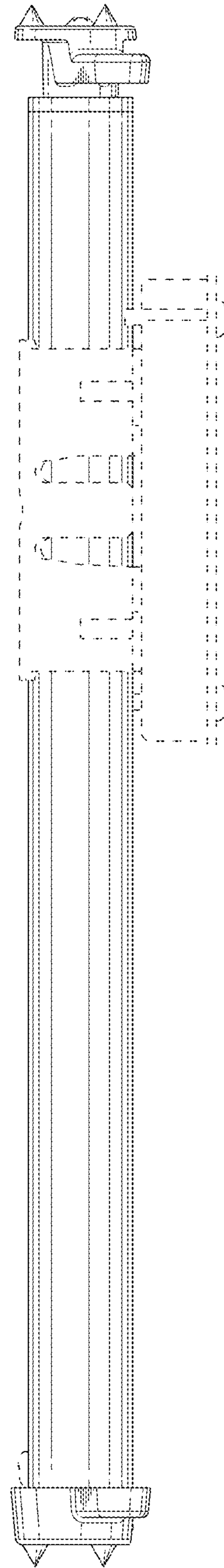


**FIG. 2**

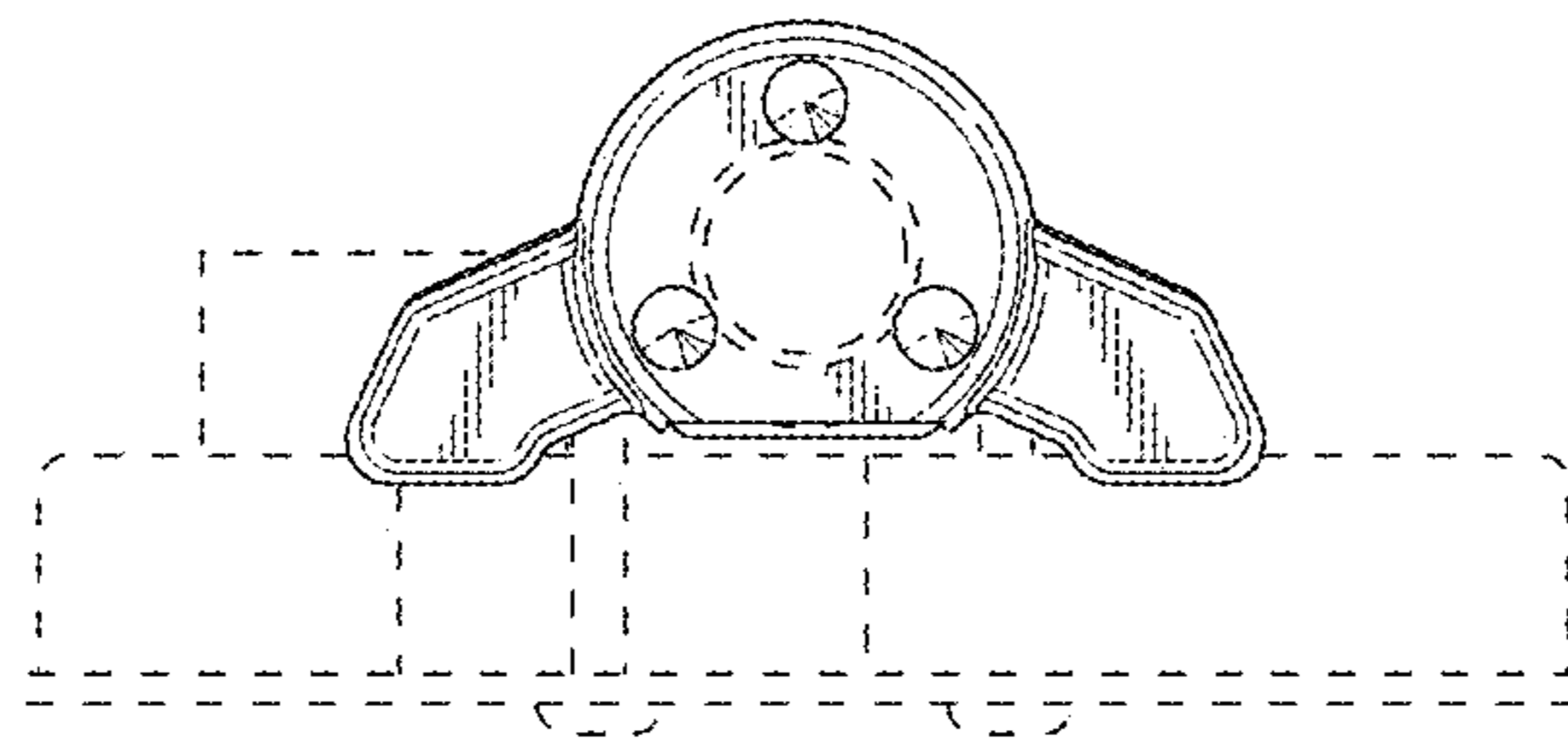




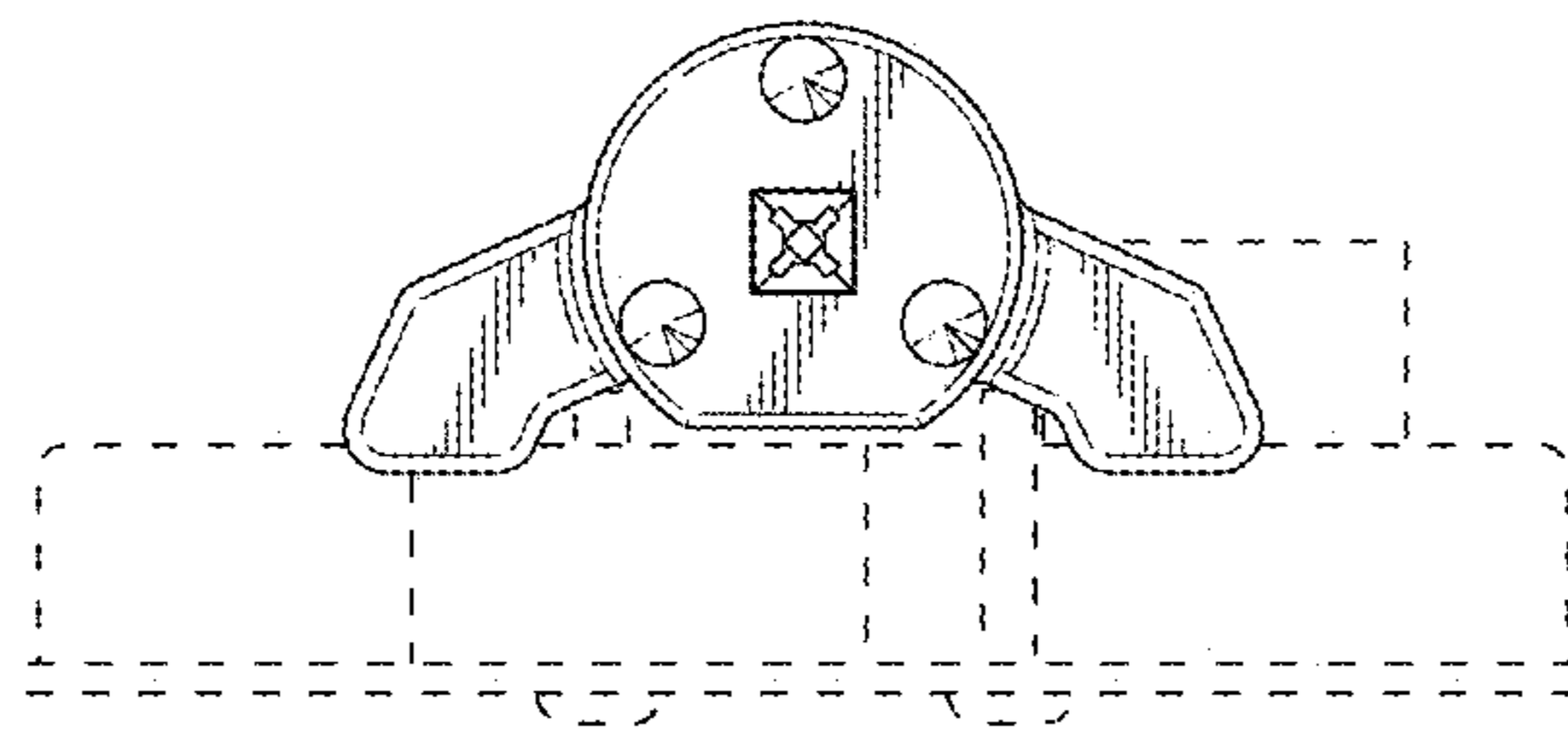
**FIG. 3**



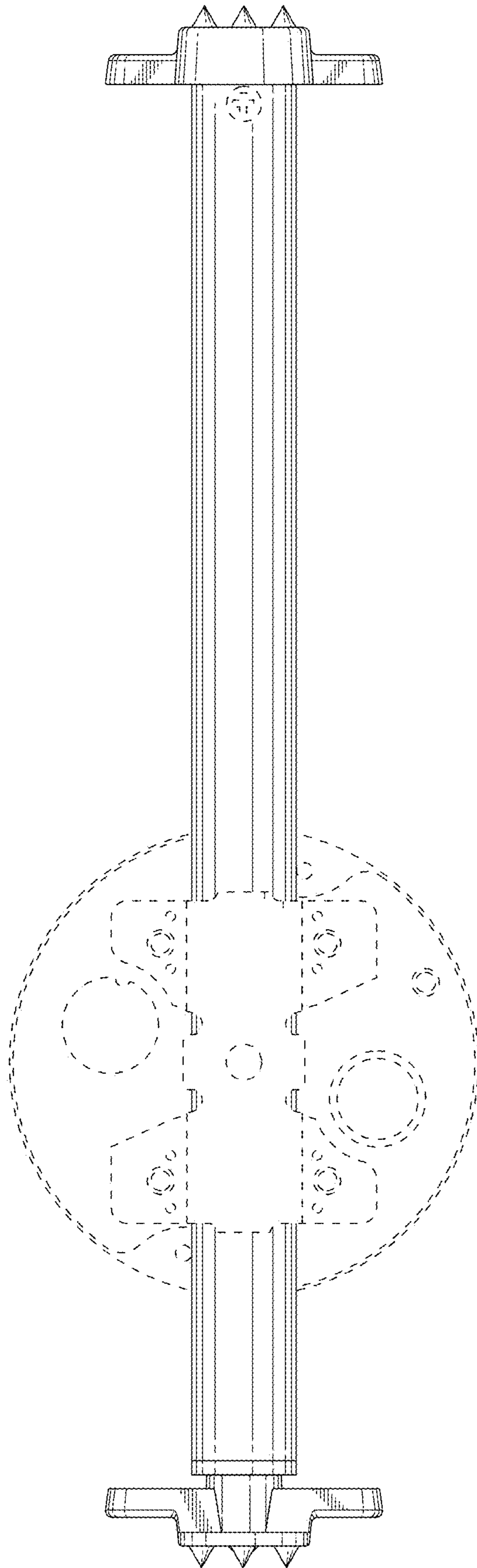
**FIG. 4**



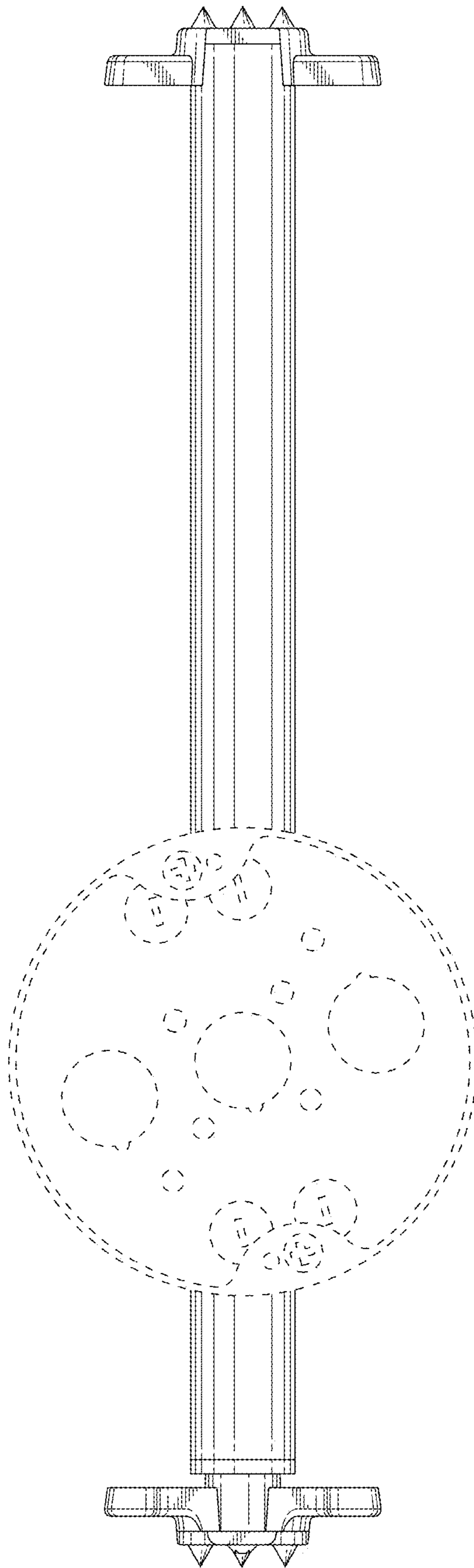
**FIG. 5**



**FIG. 6**



**FIG. 7**



**FIG. 8**