

US00D927962S

(12) **United States Design Patent**
Masters

(10) **Patent No.:** **US D927,962 S**

(45) **Date of Patent:** **** Aug. 17, 2021**

(54) **DOOR LOCK PLATE COVER**

(71) Applicant: **Aaron Masters**, Dallas, TX (US)

(72) Inventor: **Aaron Masters**, Dallas, TX (US)

(**) Term: **15 Years**

(21) Appl. No.: **29/705,209**

(22) Filed: **Sep. 10, 2019**

(51) **LOC (13) Cl.** **08-07**

(52) **U.S. Cl.**
USPC **D8/346**

(58) **Field of Classification Search**
USPC D8/346
CPC E05B 15/02; E05B 15/0205; E05B 15/021
See application file for complete search history.

(56) **References Cited**

U.S. PATENT DOCUMENTS

- 7,128,350 B2 * 10/2006 Eckerdt E05B 53/001
292/341.16
- D544,782 S * 6/2007 Kershaw D8/346
- D549,079 S * 8/2007 Killins D8/346
- D557,587 S * 12/2007 Navin D8/346

- 9,340,996 B2 * 5/2016 Nelson E05B 15/0245
- 9,765,550 B2 * 9/2017 Hemmingsen E05B 65/00

* cited by examiner

Primary Examiner — Doris Clark
(74) *Attorney, Agent, or Firm* — Law Office of Jeff Williams PLLC; J. Oliver Williams

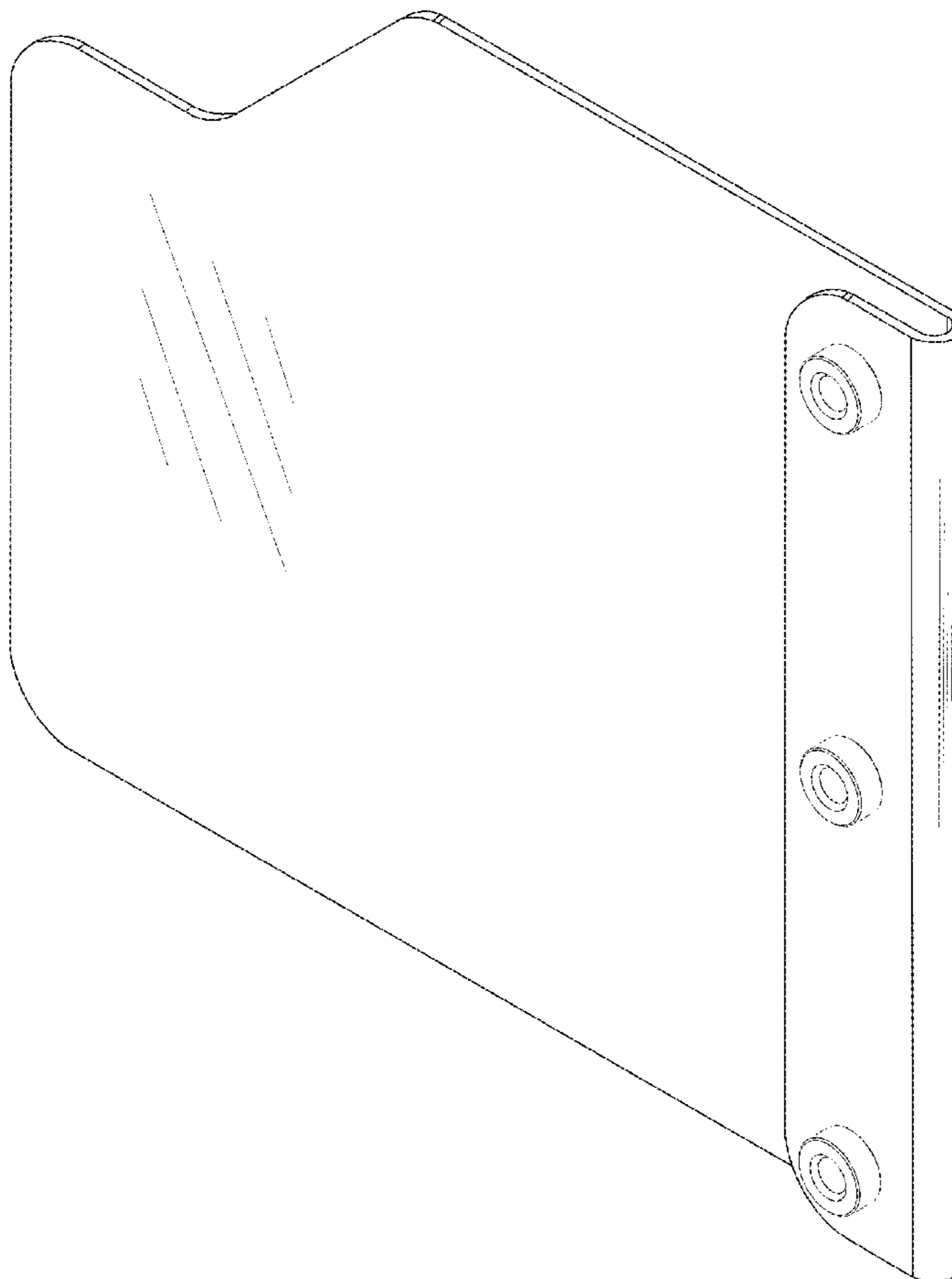
(57) **CLAIM**

The ornamental design for a door lock plate cover, as shown.

DESCRIPTION

FIG. 1 is an oblique view of a door lock plate cover according to the present application.
 FIG. 2 is an alternate oblique view of the door lock plate cover of FIG. 1.
 FIG. 3 is a front view of the door lock plate cover of FIG. 1.
 FIG. 4 is a rear view of the door lock plate cover of FIG. 1.
 FIG. 5 is a right view of the door lock plate cover of FIG. 1.
 FIG. 6 is a left view of the door lock plate cover of FIG. 1.
 FIG. 7 is a top view of the door lock plate cover of FIG. 1.
 FIG. 8 is a bottom view of the door lock plate cover of FIG. 1; and,
 FIG. 9 is a section view of the door lock plate cover taken along lines 9-9 of FIG. 8.

1 Claim, 7 Drawing Sheets



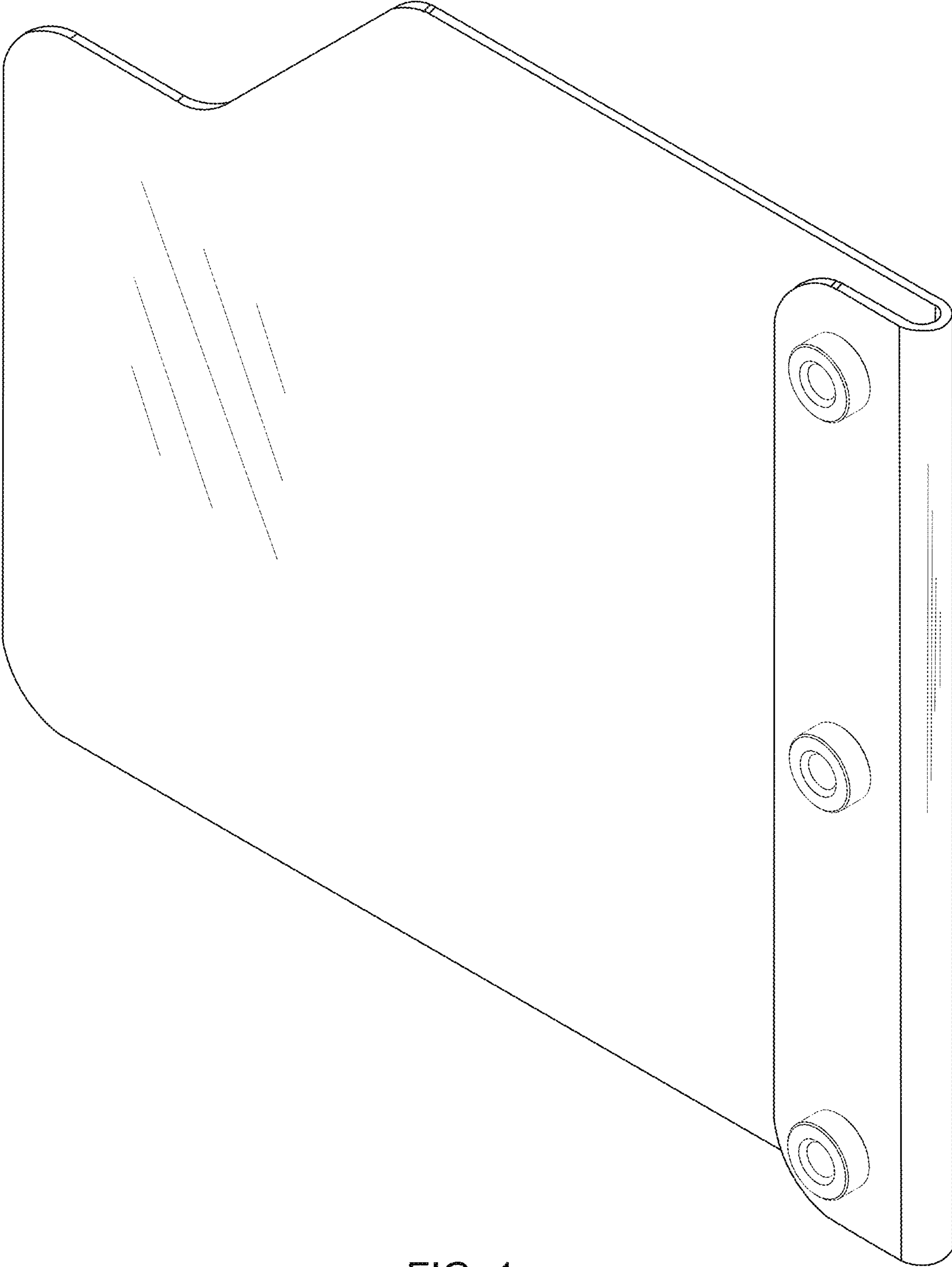


FIG. 1

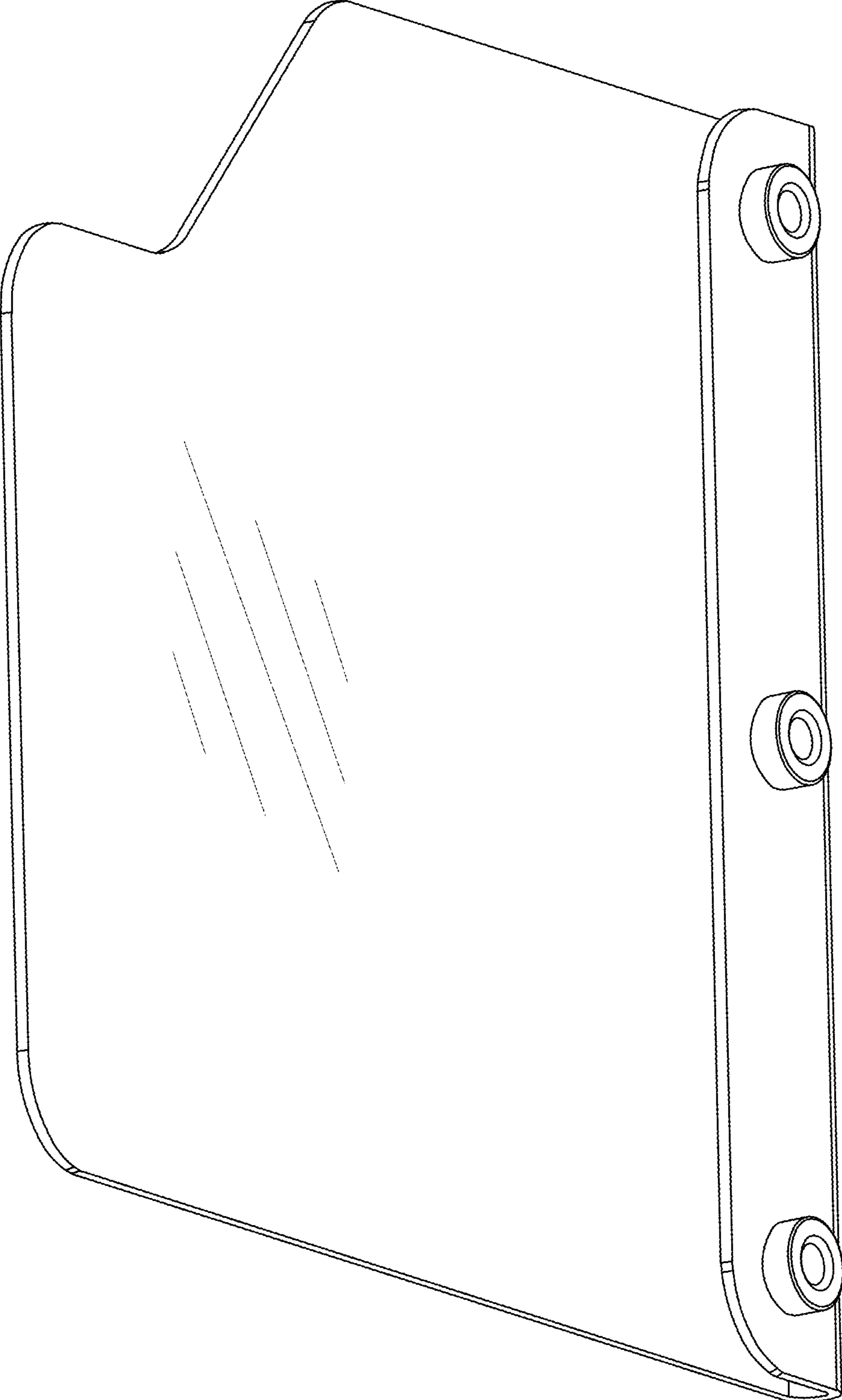


FIG. 2

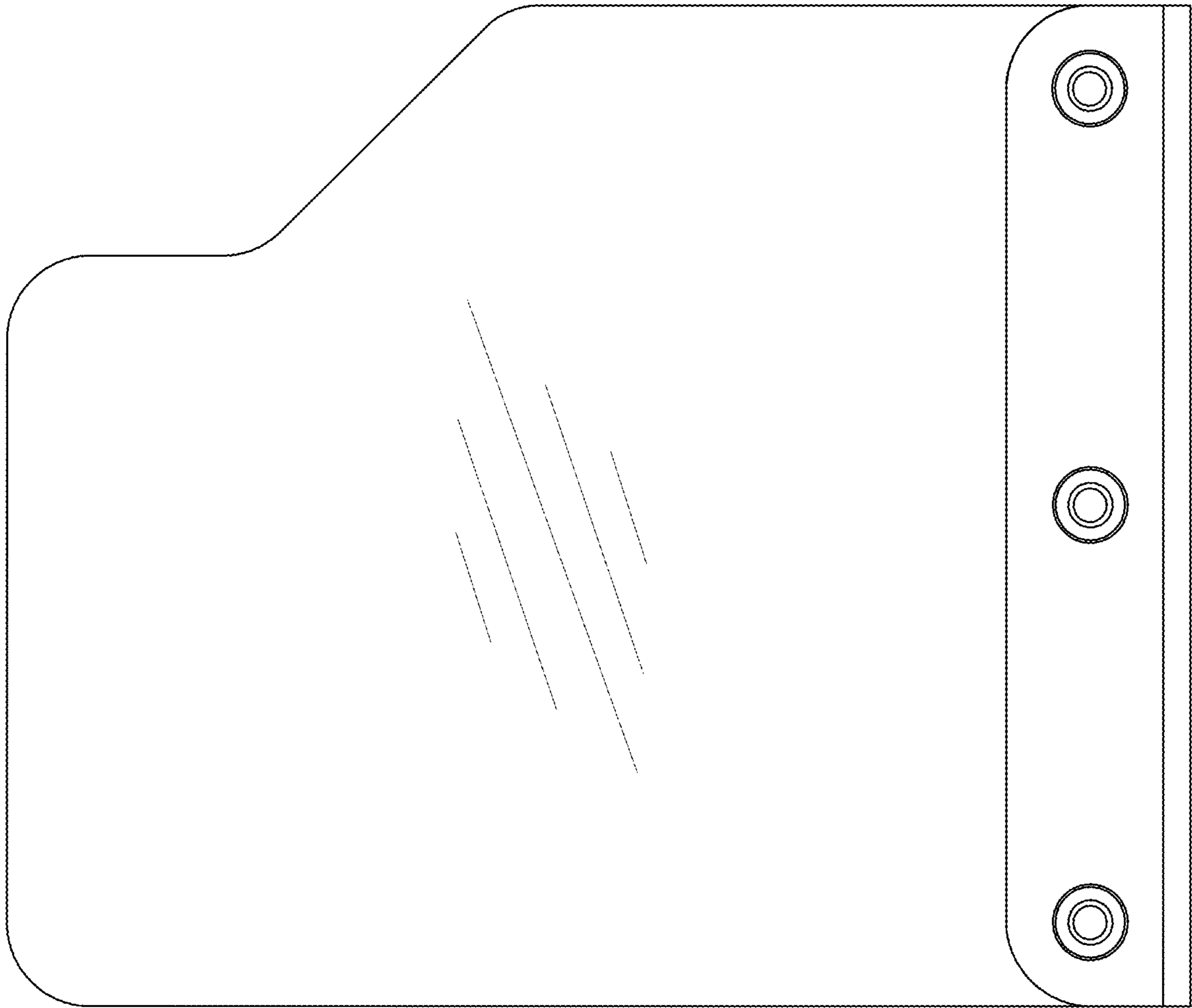


FIG. 3

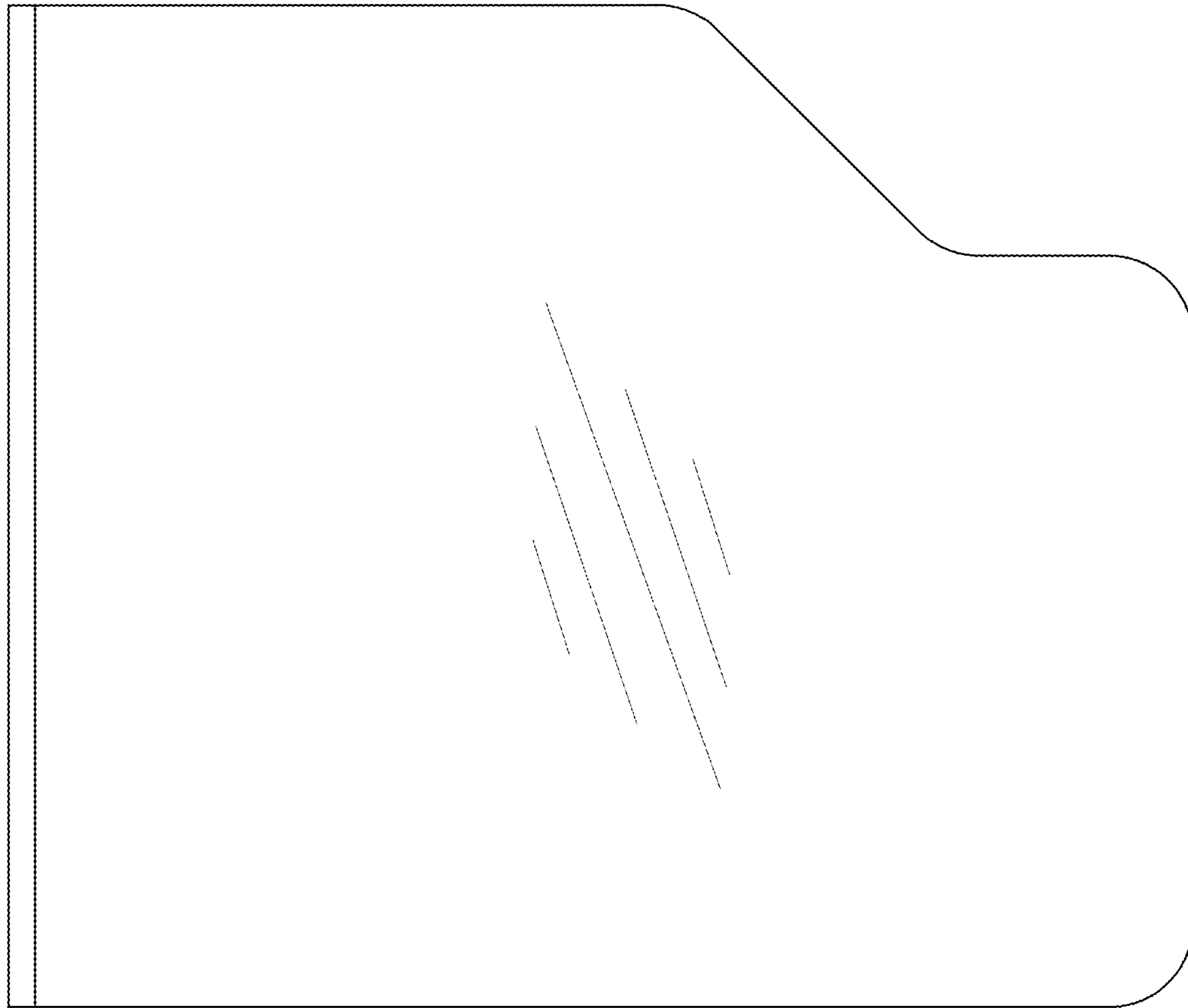


FIG. 4

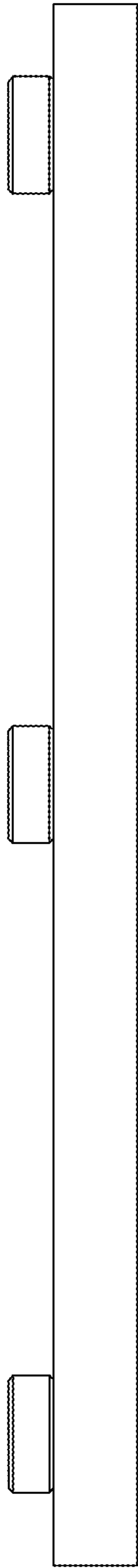


FIG. 5

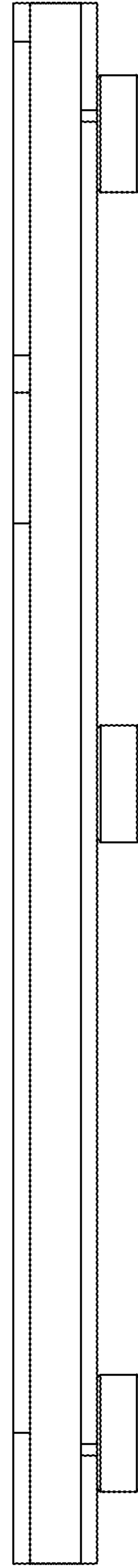


FIG. 6

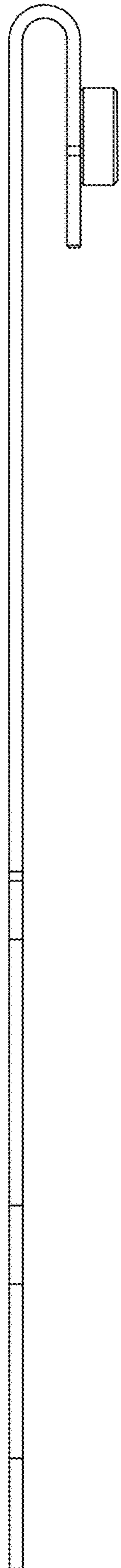


FIG. 7

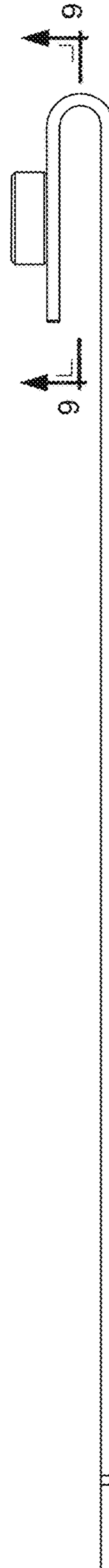


FIG. 8

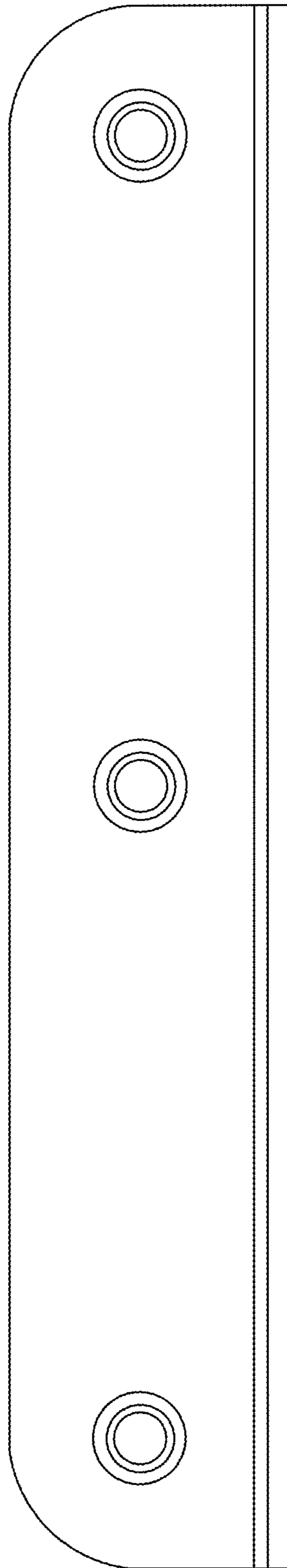


FIG. 9