



US00D927961S

(12) **United States Design Patent** (10) **Patent No.:** **US D927,961 S**
Drechsel et al. (45) **Date of Patent:** **** Aug. 17, 2021**

(54) **LOCK**
(71) Applicant: **ABUS August Bremicker Söhne KG,**
Wetter-Volmarstein (DE)

9,809,998 B2 * 11/2017 Lai E05B 65/52
9,890,558 B2 * 2/2018 Serell B65D 55/145
D825,313 S 8/2018 Ocklenburg
D835,967 S 12/2018 Ocklenburg

(72) Inventors: **Christian Drechsel,** Breitscheid (DE);
Stefan Heinemann, Wetter (DE)

FOREIGN PATENT DOCUMENTS

(73) Assignee: **ABUS August Bremicker Söhne KG,**
Wetter-Volmarstein (DE)

CN 303345281 S 8/2015
CN 304471240 S 1/2018
DE 10 2005 040 066 A1 3/2007
EM 0003964520001 10/2005
EM 0016382710002 11/2009
EM 0012925850004 9/2011
EM 0064890840002 5/2019
EM 0064890840003 5/2019
TW 201823573 A 7/2018

(**) Term: **15 Years**

(21) Appl. No.: **29/713,151**

(22) Filed: **Nov. 14, 2019**

OTHER PUBLICATIONS

(30) **Foreign Application Priority Data**

May 20, 2019 (EM) 006489084

Catalog—"Specialized—Bicycles & Equipment;Spring 2003"; title and pp. 27.

(51) **LOC (13) Cl.** **08-07**

Catalogue—"ABUS Gesamtkatalog 2010"; pp. 1, 2, 16-19, 172. Photograph of "RSP Folding Plate Lock" (also marketed as Magnum Onguard K-9) available in 2009.

(52) **U.S. Cl.**

USPC **D8/336**

* cited by examiner

(58) **Field of Classification Search**

USPC D8/331, 336, 339

CPC B62H 5/147; E05B 67/003; E05B 37/00;

E05B 37/0048; E05B 37/0062; E05B

37/0065; E05B 63/00; E05B 2063/0026

See application file for complete search history.

Primary Examiner — Doris Clark

(74) *Attorney, Agent, or Firm* — Dinsmore & Shohl LLP

(57) **CLAIM**

The ornamental design for a lock, as shown and described.

(56) **References Cited**

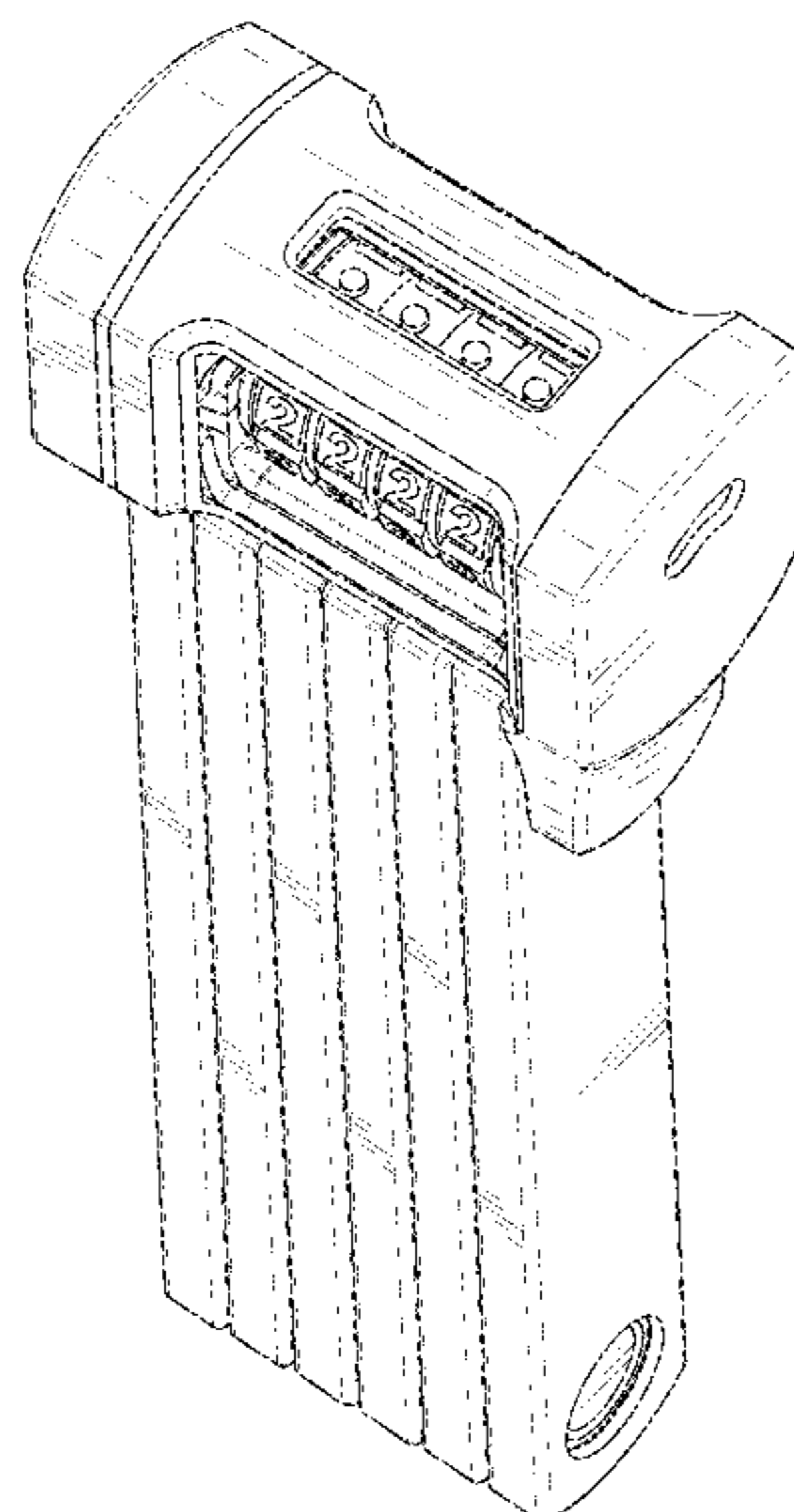
DESCRIPTION

U.S. PATENT DOCUMENTS

D579,756 S 11/2008 Hentschel et al.
D657,657 S 4/2012 Golling
D658,037 S * 4/2012 Golling D8/339
8,156,772 B2 4/2012 Buhl et al.
D660,683 S 5/2012 Golling
D660,684 S 5/2012 Golling
D745,366 S 12/2015 Ocklenburg
9,222,283 B1 * 12/2015 Zhang E05B 37/02
D781,133 S * 3/2017 Heinemann D8/336
9,758,989 B1 * 9/2017 Simpson B65D 50/00

FIG. 1 is a right front perspective view illustrating a lock;
FIG. 2 is a left front perspective view of the lock;
FIG. 3 is a front view of the lock;
FIG. 4 is a left side view of the lock;
FIG. 5 is a right side view of the lock;
FIG. 6 is a rear view of the lock;
FIG. 7 is a top view of the lock; and,
FIG. 8 is a bottom view of the lock.

1 Claim, 6 Drawing Sheets



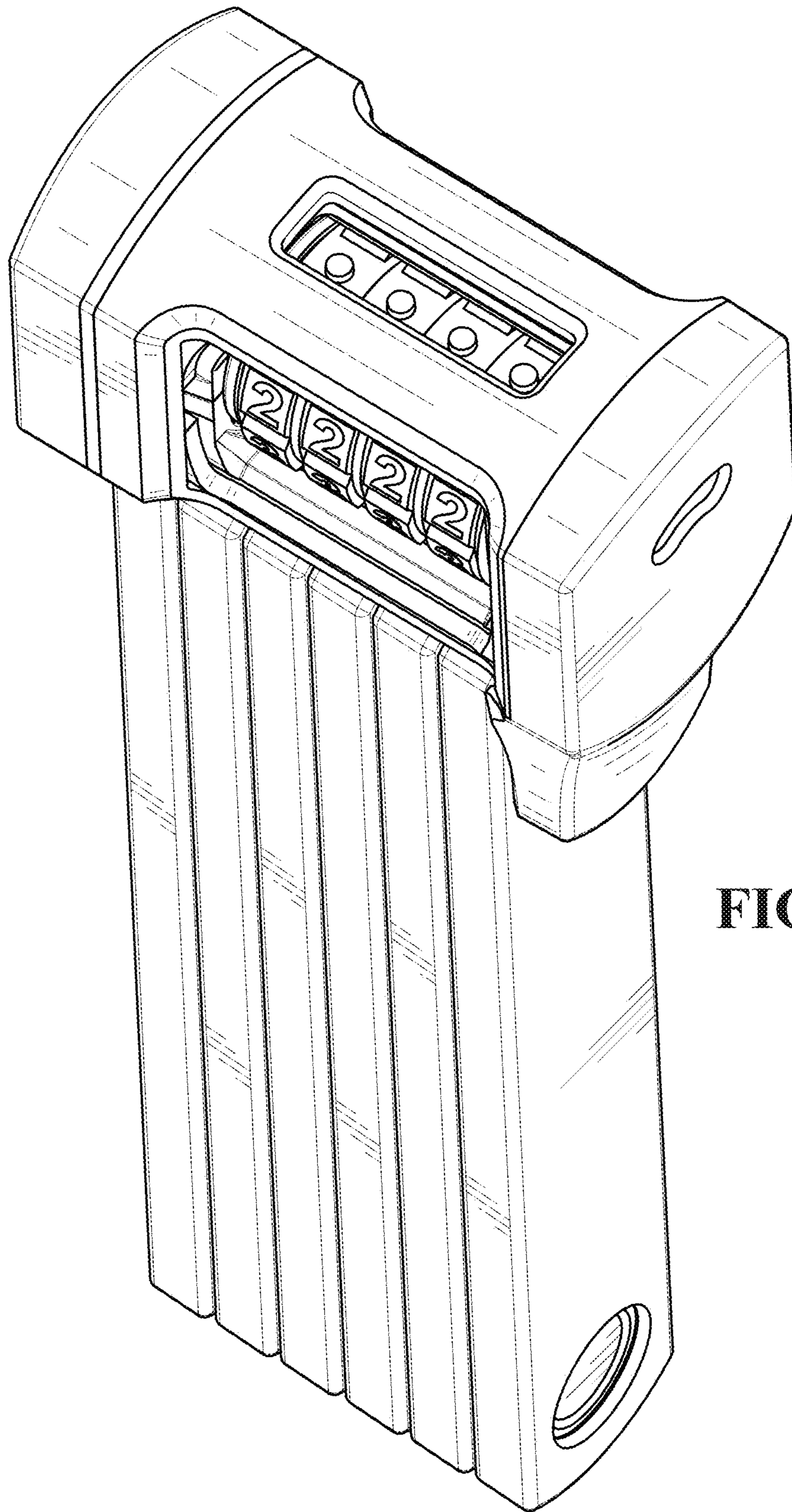


FIG. 1

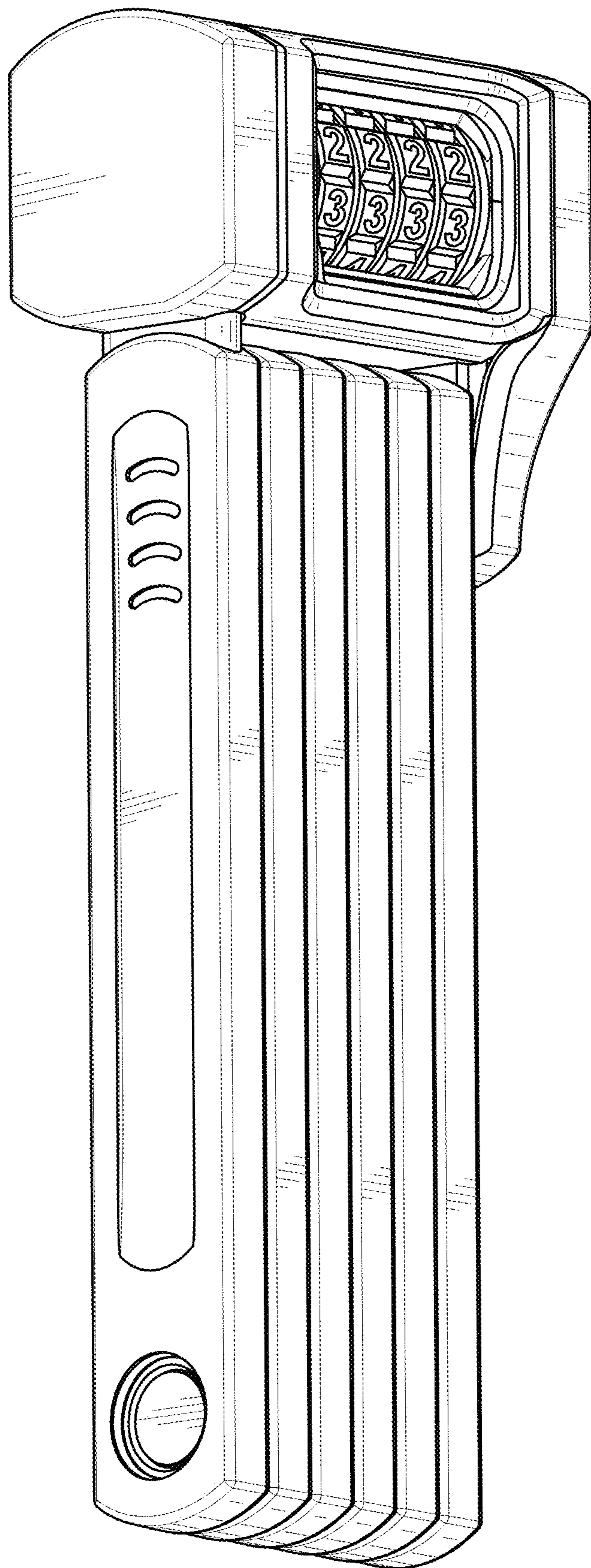


FIG. 2

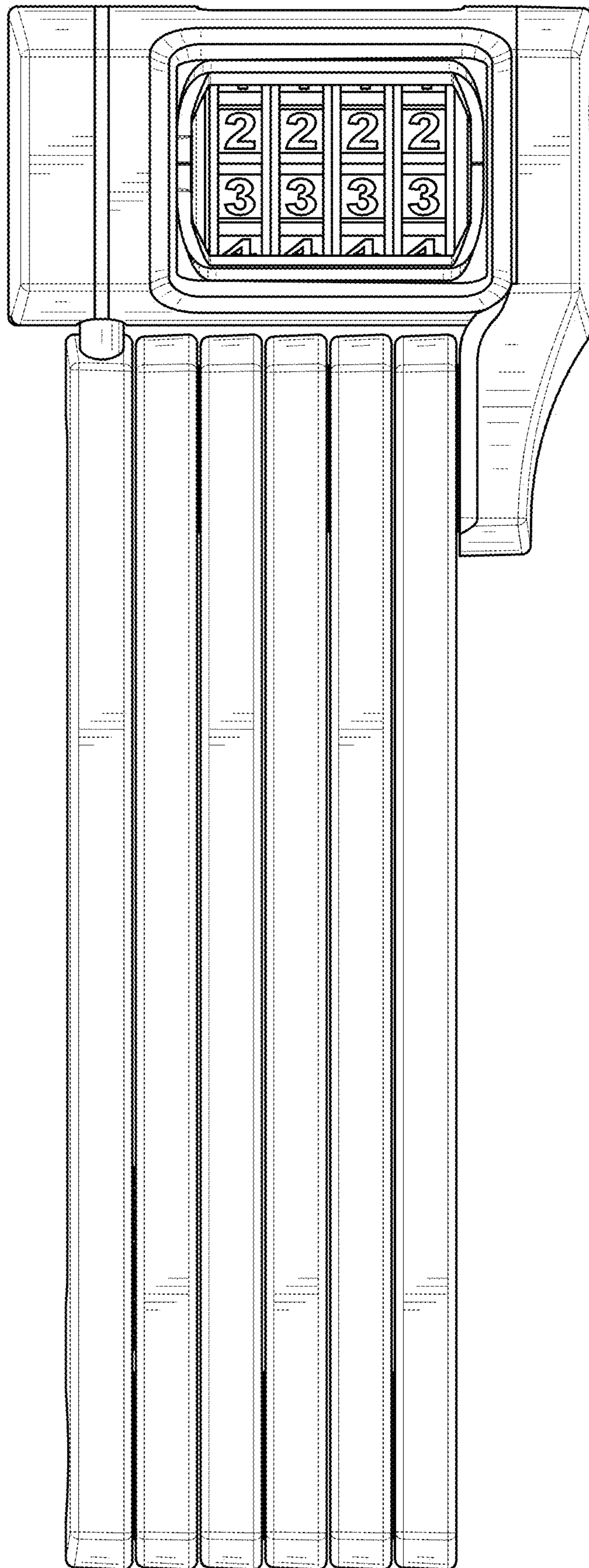


FIG. 3

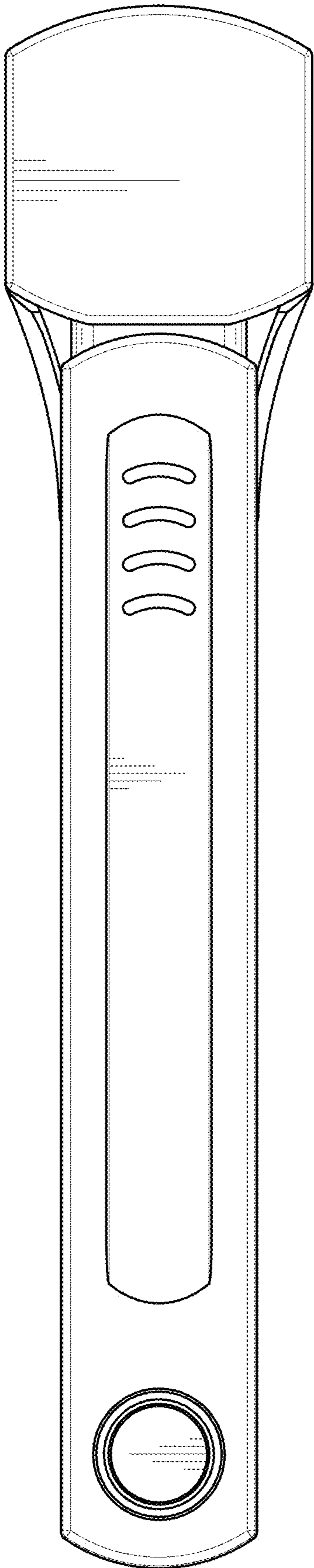


FIG. 4

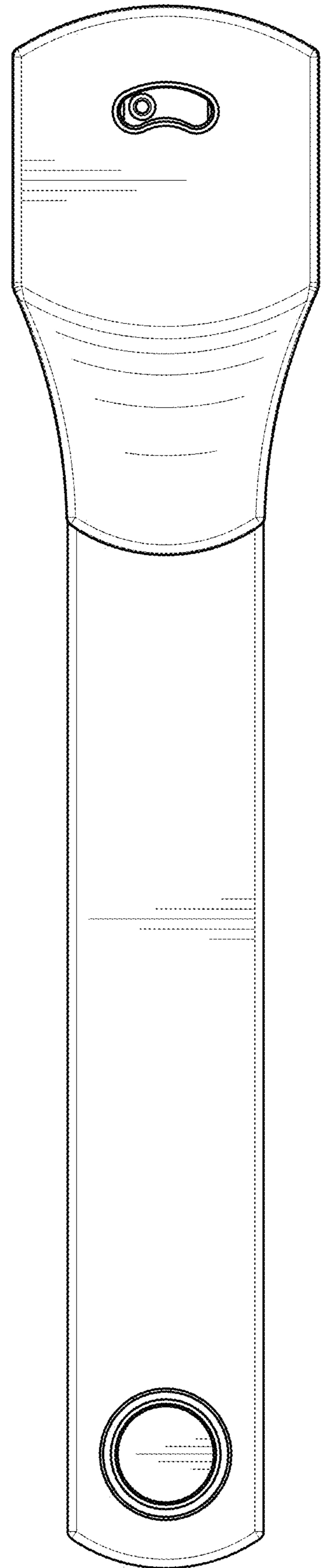


FIG. 5

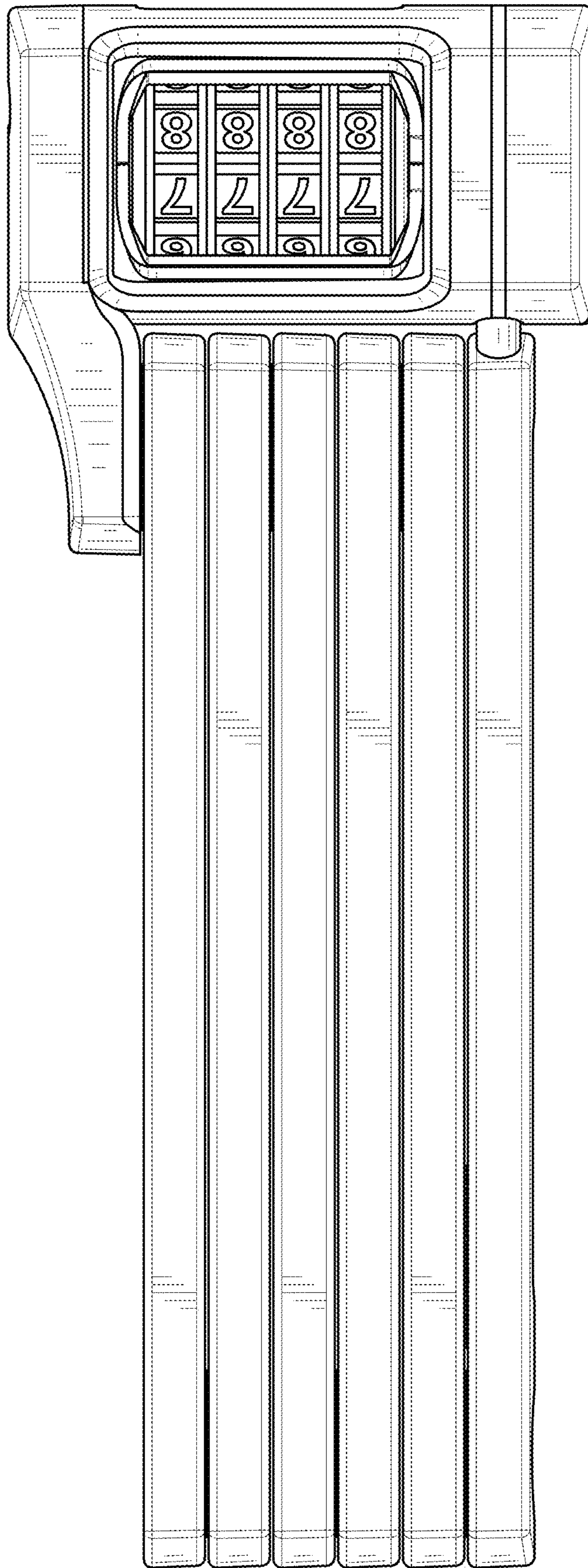


FIG. 6

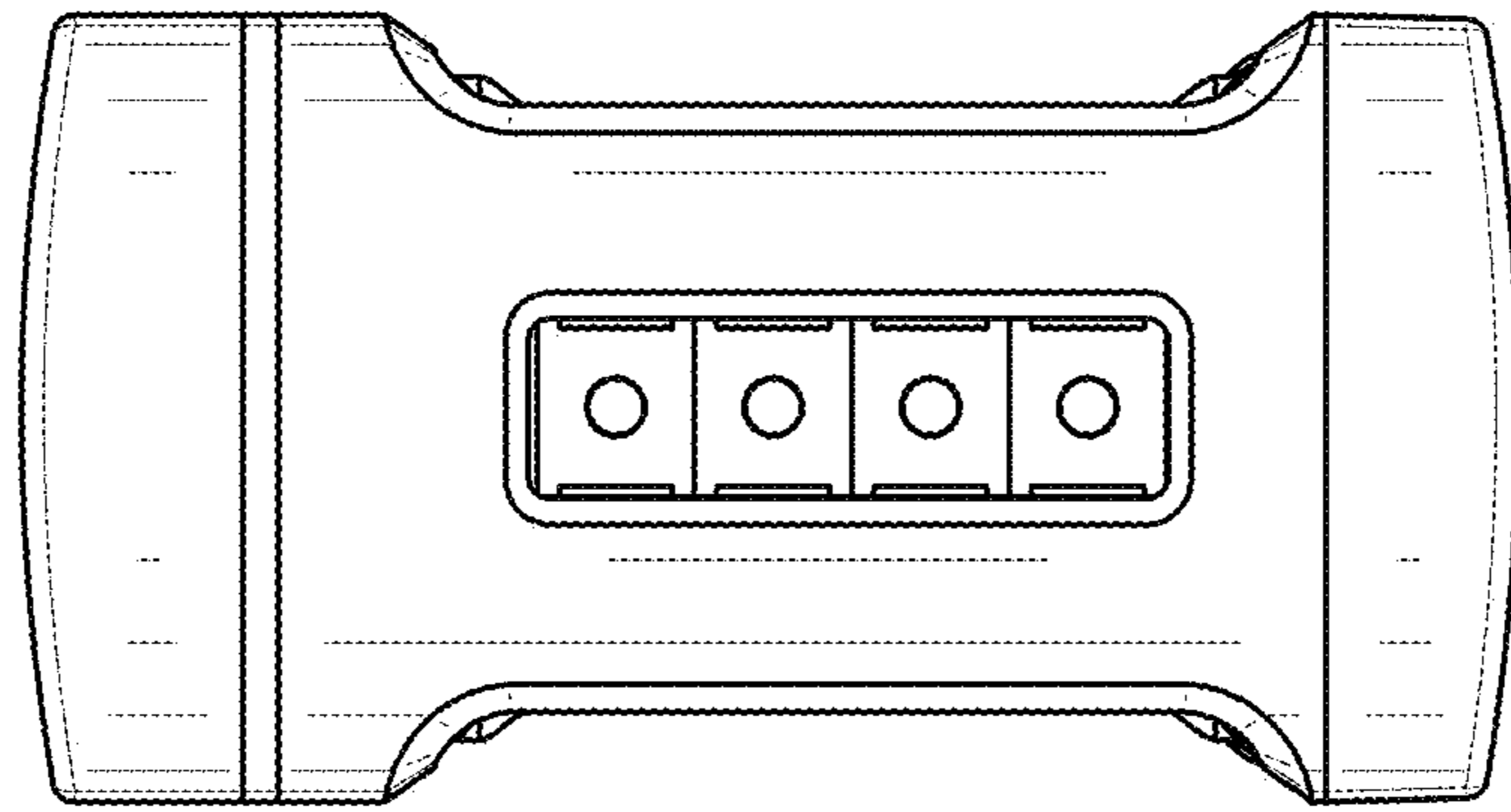


FIG. 7

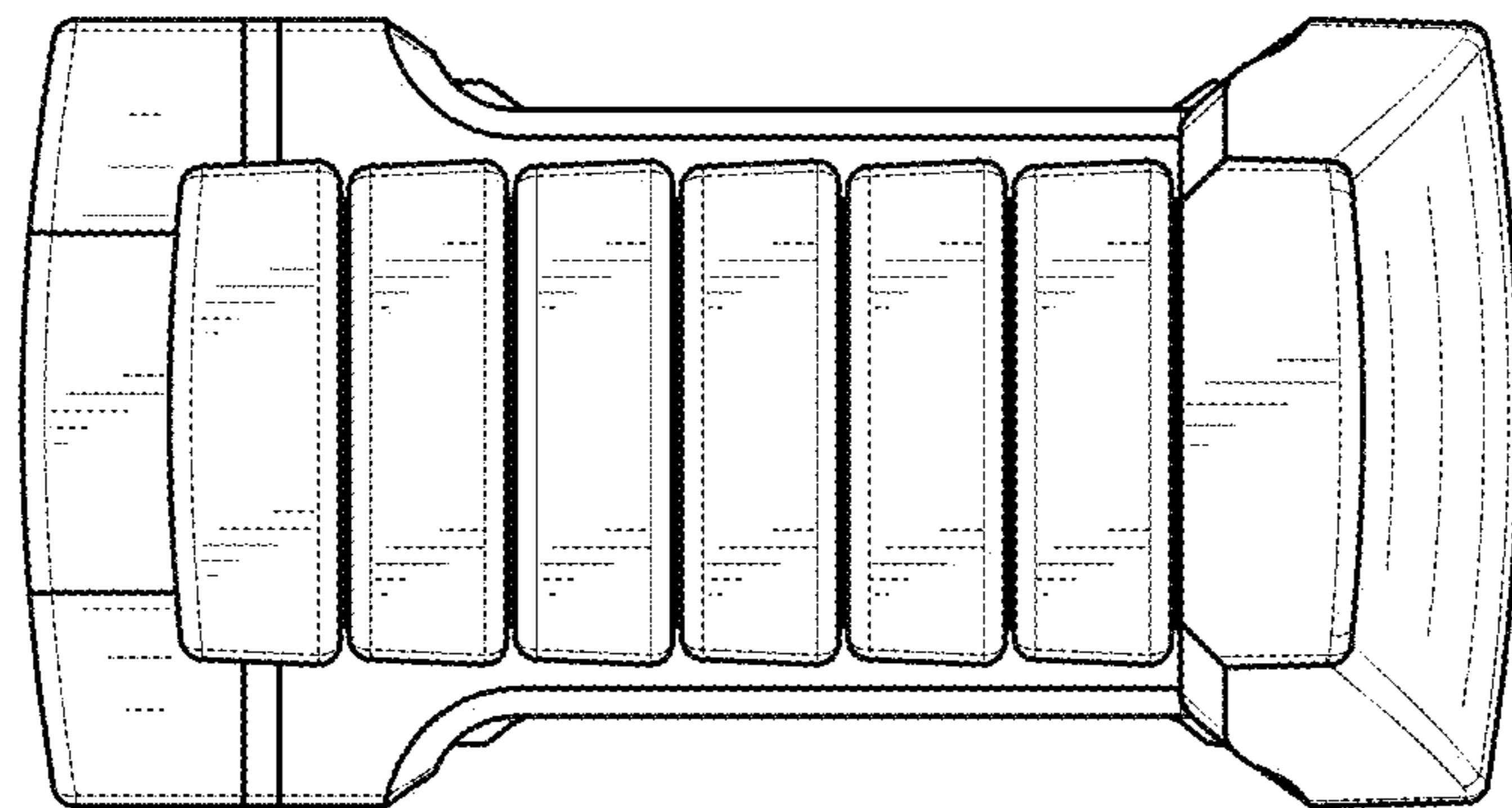


FIG. 8