



US00D927960S

(12) **United States Design Patent** (10) **Patent No.:** **US D927,960 S**
Meyerhoffer et al. (45) **Date of Patent:** **** Aug. 17, 2021**

(54) **LOCKING MECHANISM**
(71) Applicant: **LATCH, INC.**, New York, NY (US)
(72) Inventors: **Thomas Meyerhoffer**, Montara, CA (US); **Luke Andrew Schoenfelder**, New York, NY (US); **Michael Brian Jones**, New York, NY (US); **Michael Caroselli**, Santa Cruz, CA (US)
(73) Assignee: **LATCH, INC.**, New York, NY (US)
(**) Term: **15 Years**

D508,393 S 8/2005 Gao et al.
D513,469 S 1/2006 Gao et al.
7,091,429 B2 8/2006 Case et al.
7,984,631 B2 7/2011 Case et al.
D696,569 S 12/2013 Luo
8,931,315 B2* 1/2015 Frolov E05B 47/0692
70/279.1
D737,118 S 8/2015 Chan et al.
D738,186 S 9/2015 Nadgouda
D772,692 S 11/2016 Meyerhoffer
D773,281 S 12/2016 Meyerhoffer
D778,138 S 2/2017 Meyerhoffer
D778,195 S 2/2017 Li
10,083,559 B2 9/2018 Schoenfelder et al.
D839,761 S 2/2019 Schoenfelder et al.

(Continued)

(21) Appl. No.: **29/721,538**
(22) Filed: **Jan. 21, 2020**
(51) **LOC (13) Cl.** **08-07**
(52) **U.S. Cl.**
USPC **D8/331**
(58) **Field of Classification Search**
USPC D8/331
CPC . E05C 1/002; E05C 1/004; E05C 1/08; E05C 1/006; E05C 1/00; E05C 3/002; E05C 3/004; E05C 3/006; E05C 3/008; E05C 3/12; E05B 47/00; E05B 47/0001
See application file for complete search history.

FOREIGN PATENT DOCUMENTS

CN 304582226 S 4/2018
CN 305457551 S 11/2019
JP 2020014796 A 1/2020

Primary Examiner — Doris Clark
(74) *Attorney, Agent, or Firm* — Kacvinsky Daisak Bluni PLLC

(57) **CLAIM**

The ornamental design for a locking mechanism, as shown and described.

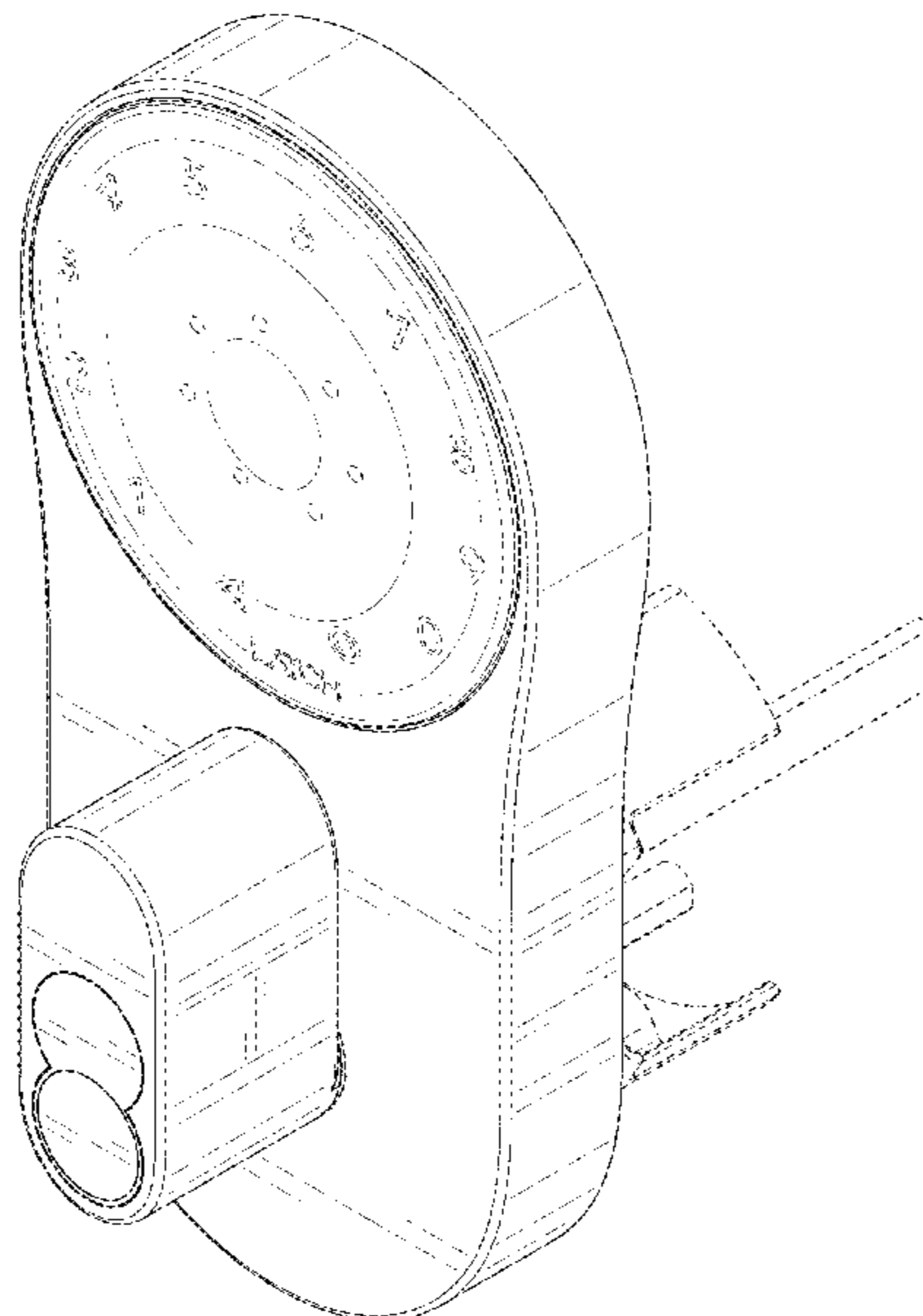
(56) **References Cited**
U.S. PATENT DOCUMENTS

D242,333 S 11/1976 Wise
D258,424 S 3/1981 Doggart
D365,976 S 1/1996 Chiu
5,564,294 A 10/1996 Chen
D380,133 S 6/1997 Rochette et al.
D408,403 S 4/1999 Solomita et al.
D417,831 S 12/1999 Libby et al.
D429,139 S 8/2000 Ahn
D430,546 S 9/2000 Gibson
D437,771 S 2/2001 Barnes et al.
D494,841 S 8/2004 Moon et al.

DESCRIPTION

FIG. 1 is a front perspective view of a locking mechanism; FIG. 2 is a front elevation view thereof; FIG. 3 is a back elevation view thereof; FIG. 4 is a left side elevation view thereof; FIG. 5 is a right side elevation view thereof; FIG. 6 is a top plan view thereof; and, FIG. 7 is a bottom plan view thereof. The broken lines are for illustrative purposes only and form no part of the claimed design.

1 Claim, 7 Drawing Sheets



(56)

References Cited

U.S. PATENT DOCUMENTS

10,240,365 B2 * 3/2019 Almomani E05B 47/0001
D888,537 S * 6/2020 Laurans D8/331
D896,614 S * 9/2020 Liao D8/331

* cited by examiner

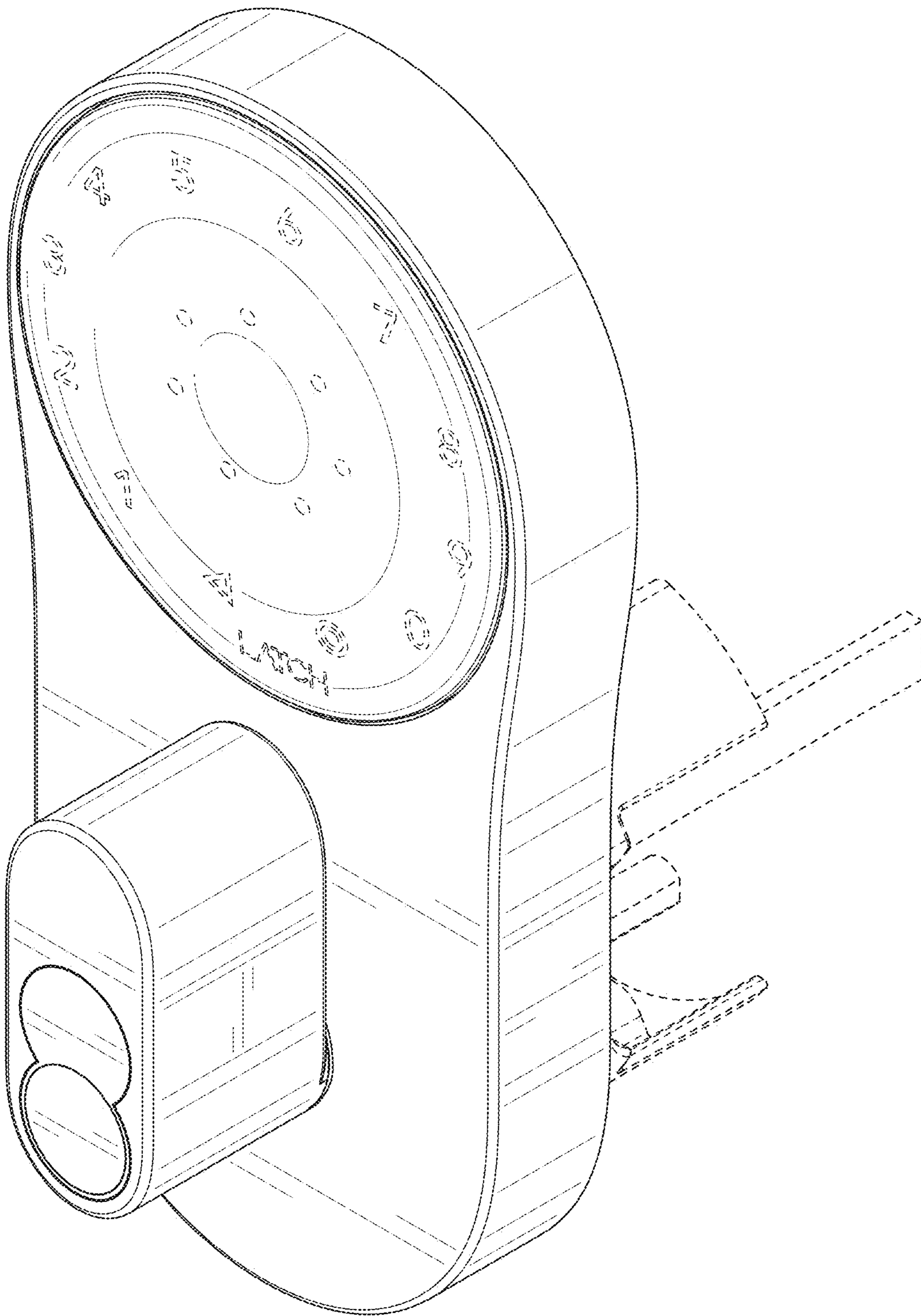


FIG. 1

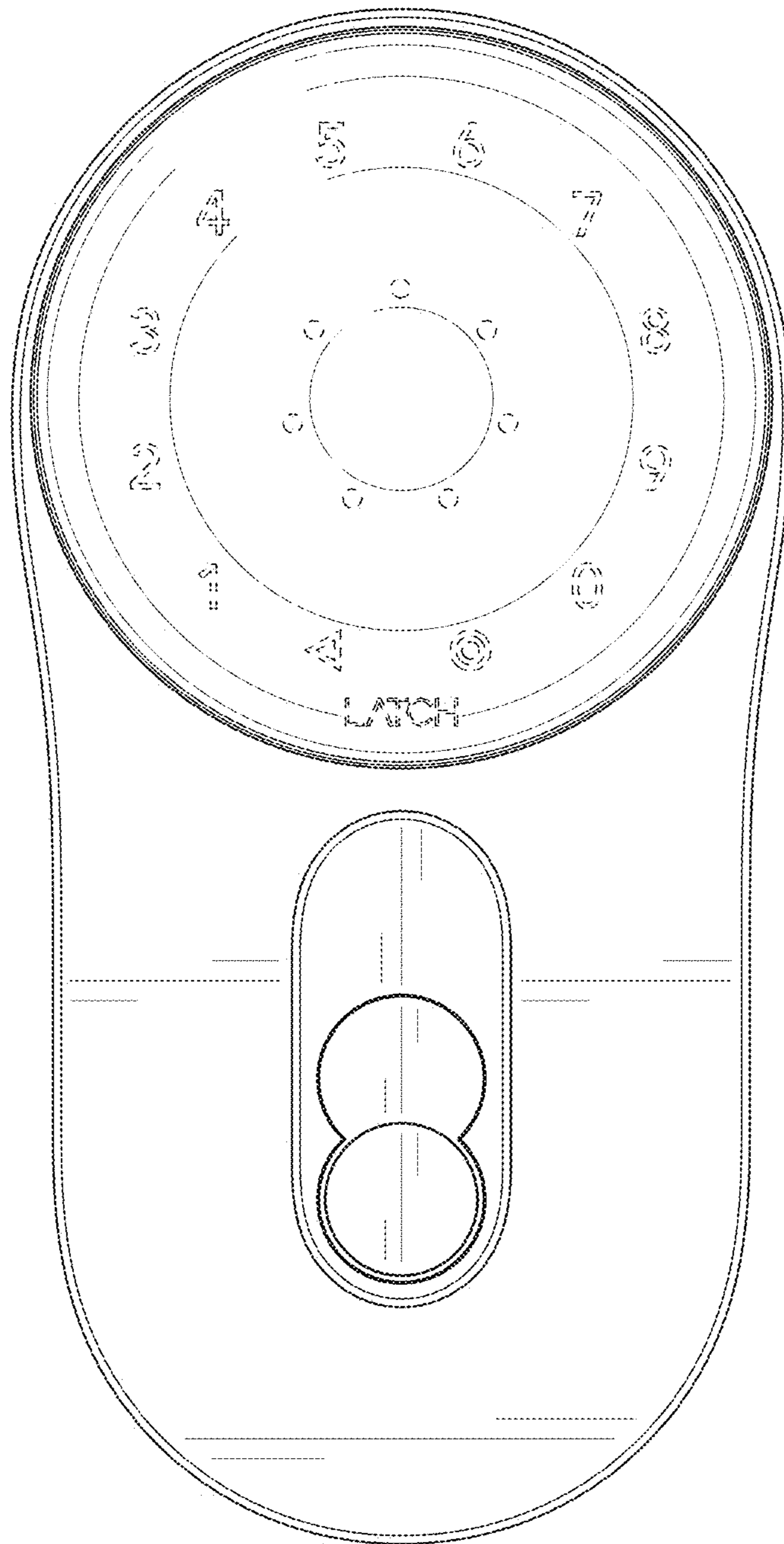


FIG. 2

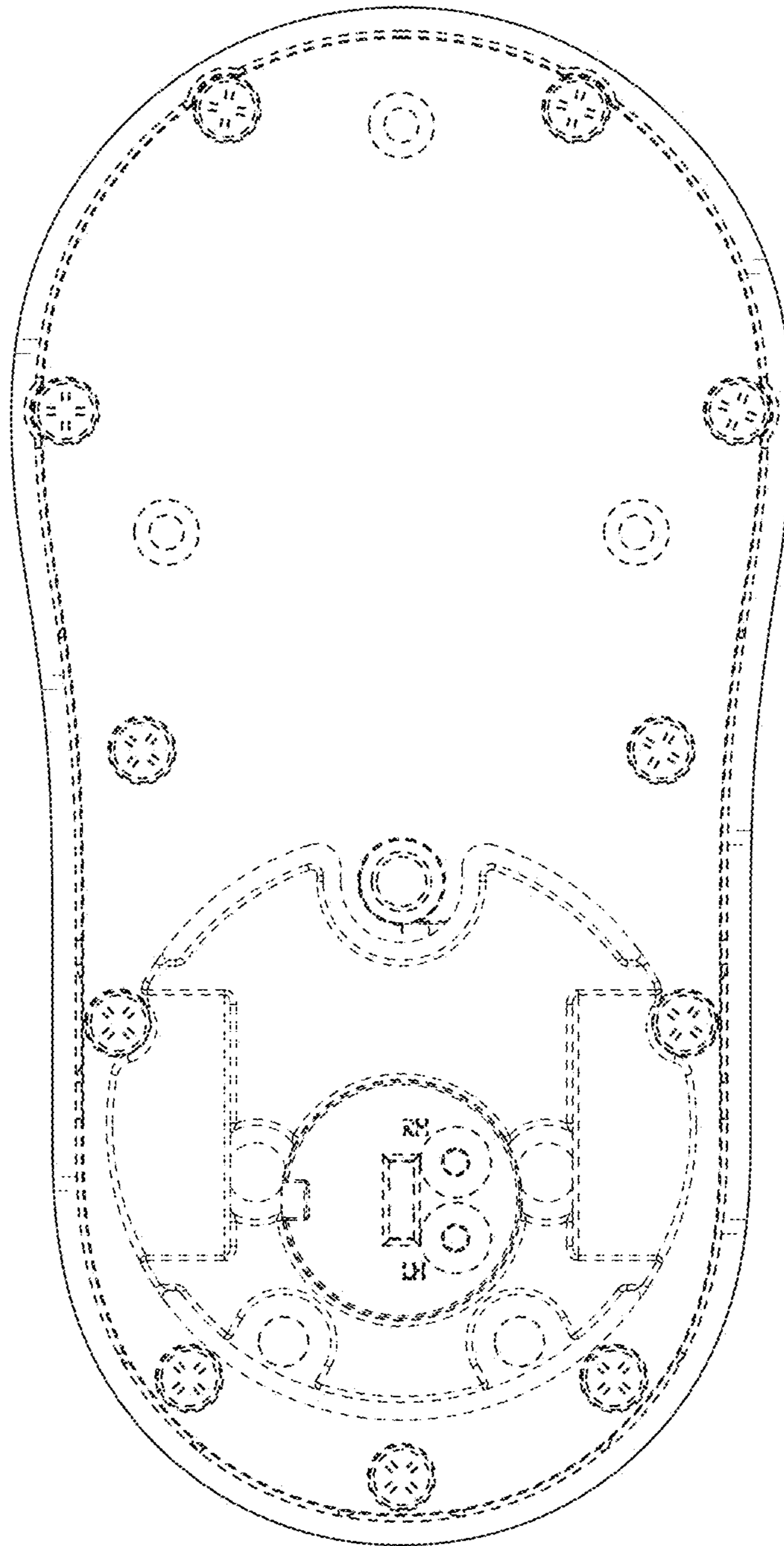


FIG. 3

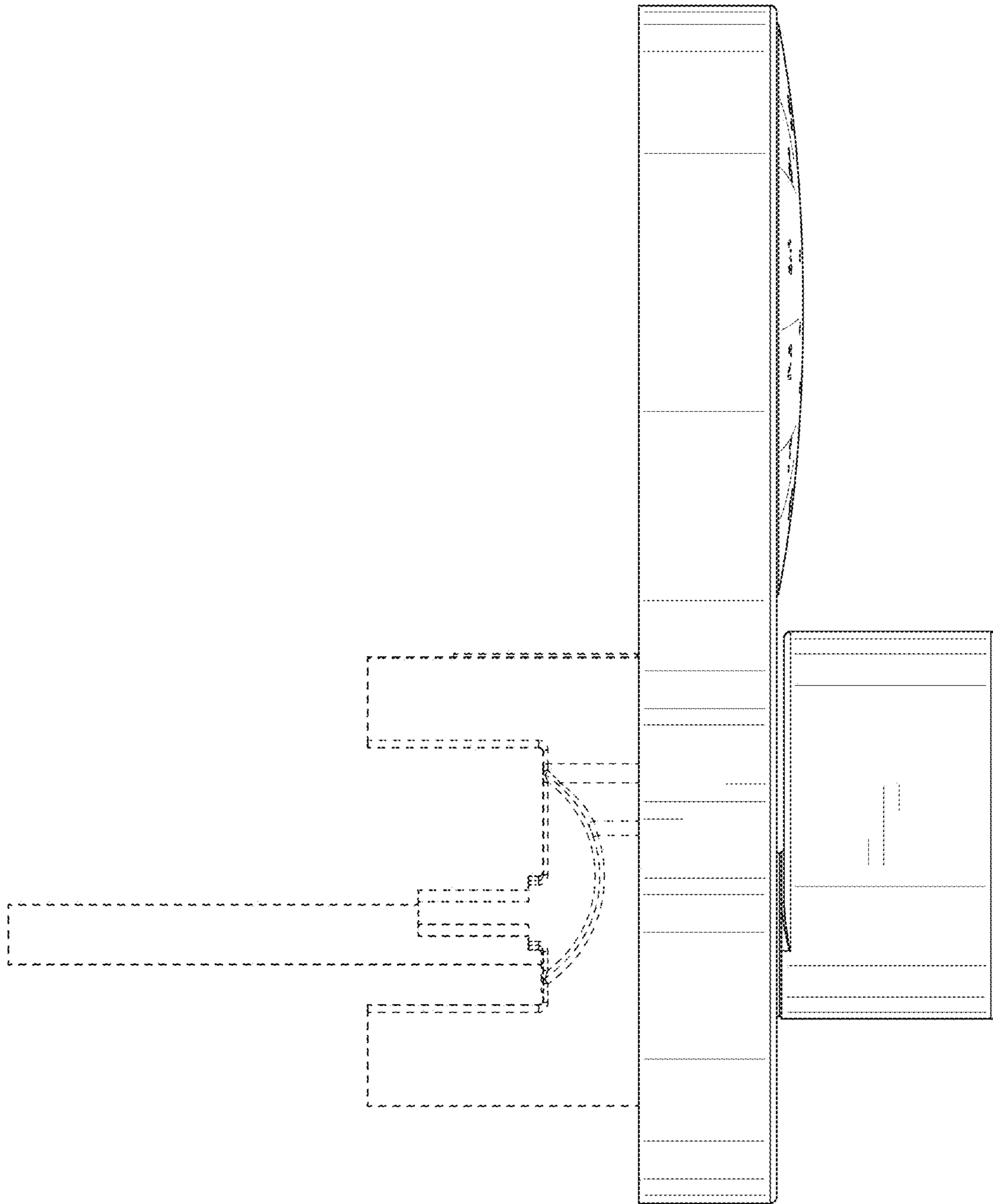


FIG. 4

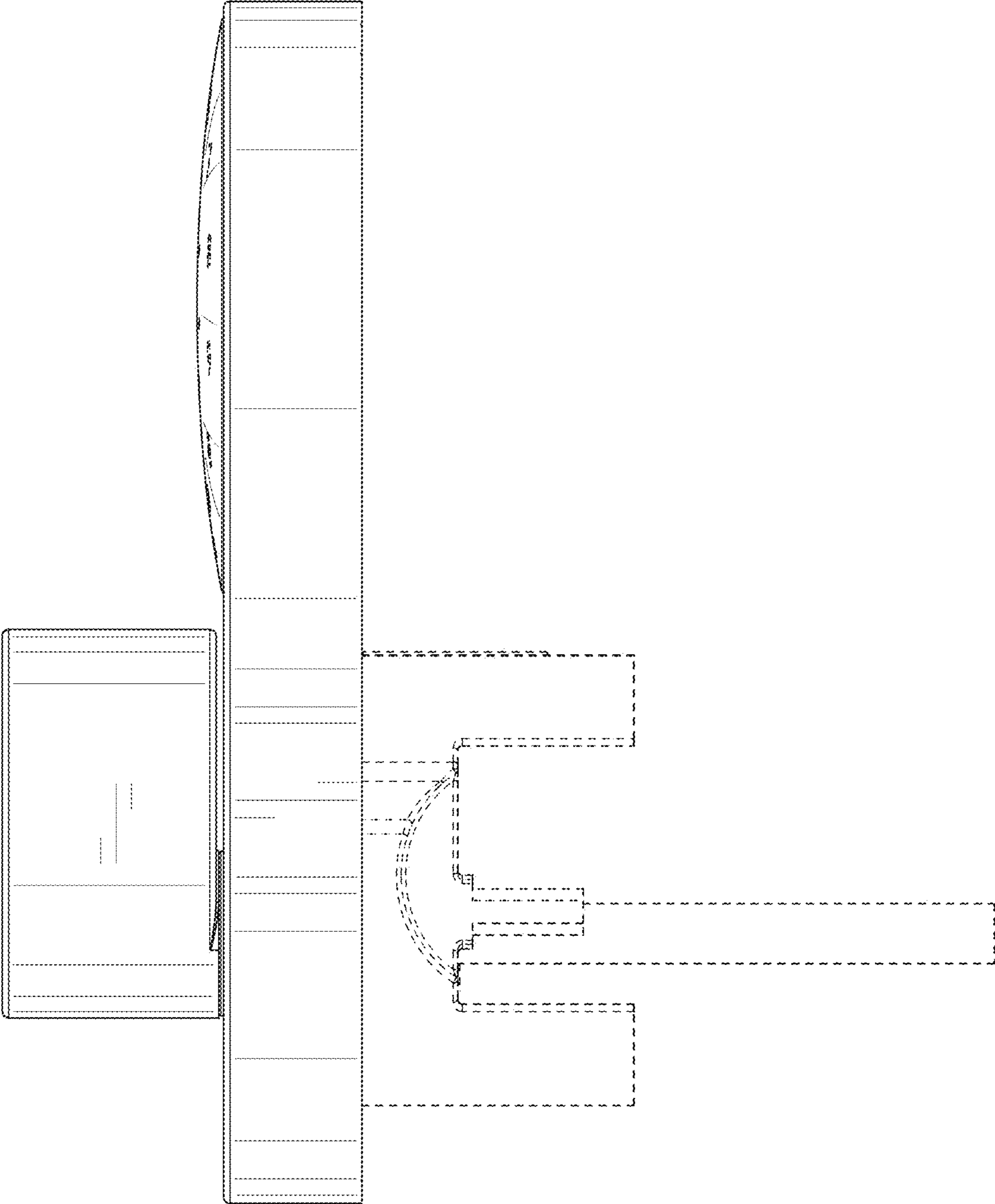


FIG. 5

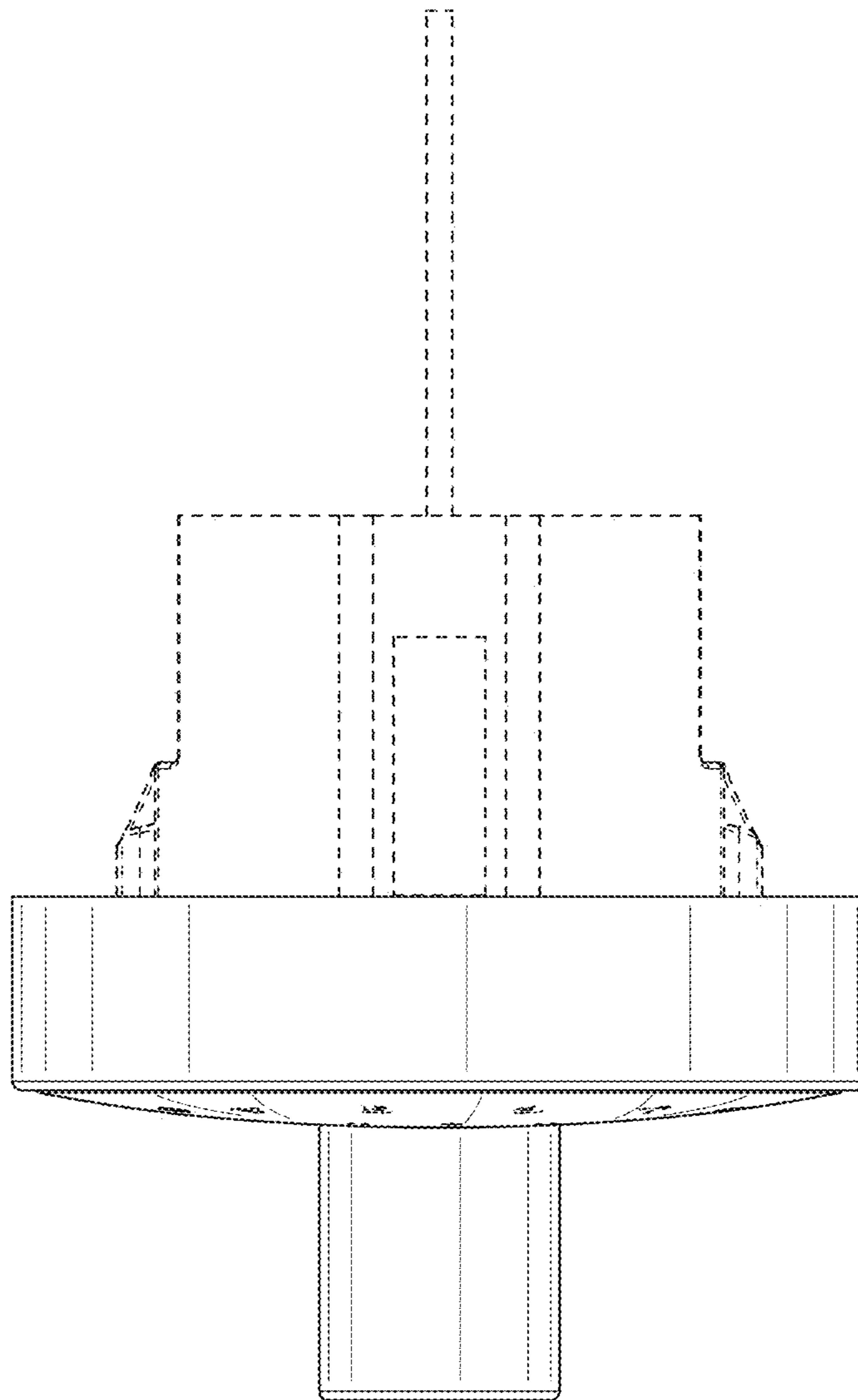


FIG. 6

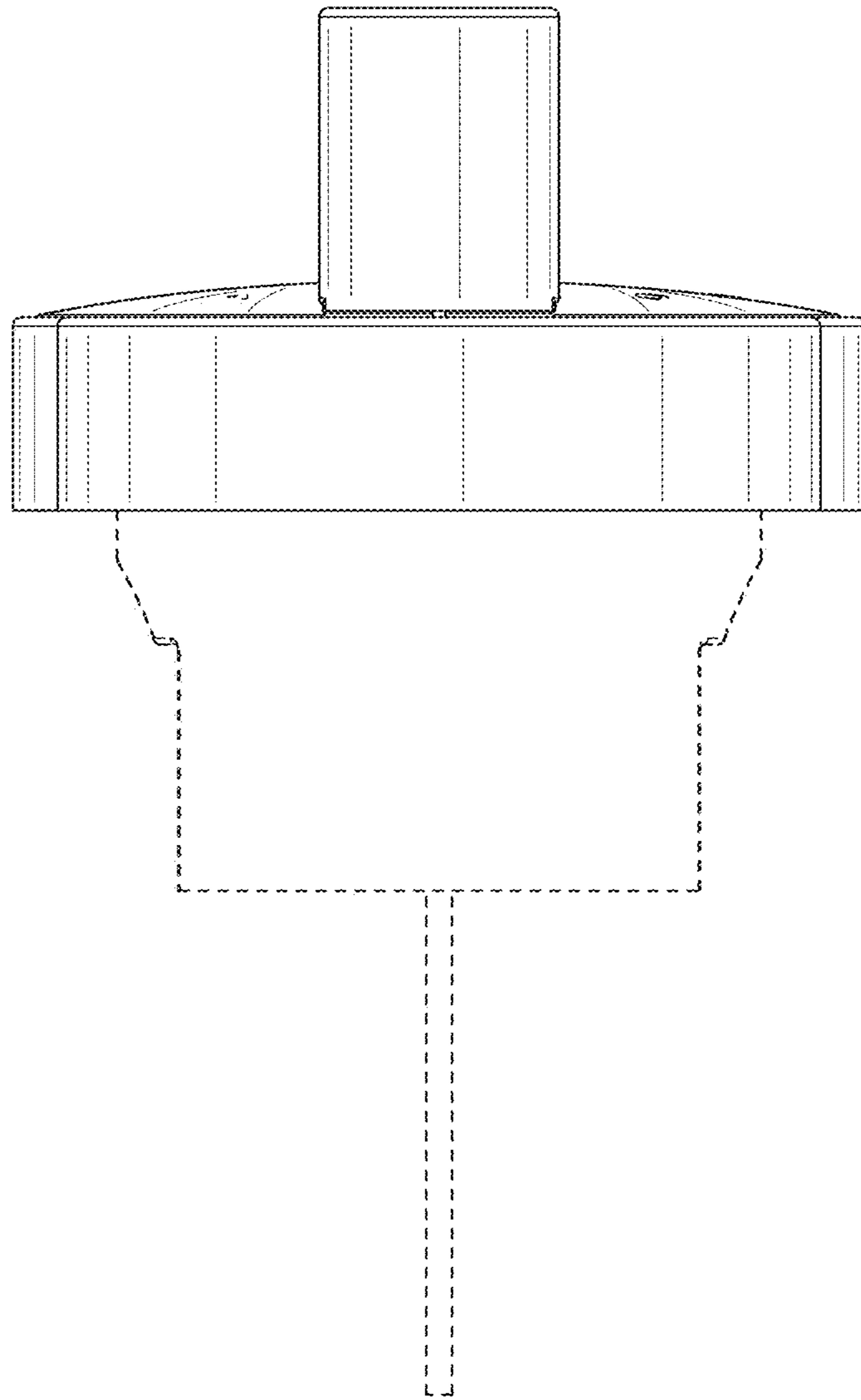


FIG. 7