



US00D927959S

(12) **United States Design Patent** (10) **Patent No.:** **US D927,959 S**  
**Meyerhoffer et al.** (45) **Date of Patent:** **\*\* Aug. 17, 2021**

(54) **LOCKING MECHANISM**  
 (71) Applicant: **LATCH, INC.**, New York, NY (US)  
 (72) Inventors: **Thomas Meyerhoffer**, Montara, CA (US); **Luke Andrew Schoenfelder**, New York, NY (US); **Michael Brian Jones**, New York, NY (US); **Michael Caroselli**, Santa Cruz, CA (US)  
 (73) Assignee: **LATCH, INC.**, New York, NY (US)  
 (\*\*) Term: **15 Years**

D508,393 S 8/2005 Gao et al.  
 D513,469 S 1/2006 Gao et al.  
 7,091,429 B2 8/2006 Case et al.  
 7,984,631 B2 7/2011 Case et al.  
 D696,569 S 12/2013 Luo  
 8,931,315 B2\* 1/2015 Frolov ..... E05B 47/0692  
 70/279.1  
 D737,118 S 8/2015 Chan et al.  
 D738,186 S 9/2015 Nadgouda  
 D772,692 S 11/2016 Meyerhoffer  
 D773,281 S 12/2016 Meyerhoffer  
 D778,138 S 2/2017 Meyerhoffer  
 D778,195 S 2/2017 Li  
 10,083,559 B2 9/2018 Schoenfelder et al.  
 D839,761 S 2/2019 Schoenfelder et al.  
 (Continued)

(21) Appl. No.: **29/721,535**  
 (22) Filed: **Jan. 21, 2020**  
 (51) **LOC (13) Cl.** ..... **08-07**  
 (52) **U.S. Cl.**  
 USPC ..... **D8/331**  
 (58) **Field of Classification Search**  
 USPC ..... D8/331  
 CPC . E05C 1/002; E05C 1/004; E05C 1/08; E05C 1/006; E05C 1/00; E05C 3/002; E05C 3/004; E05C 3/006; E05C 3/008; E05C 3/12; E05B 47/00; E05B 47/0001  
 See application file for complete search history.

FOREIGN PATENT DOCUMENTS

CN 304582226 S 4/2018  
 CN 305457551 S 11/2019  
 JP 2020014797 A 1/2020

*Primary Examiner* — Doris Clark  
 (74) *Attorney, Agent, or Firm* — Kacvinsky Daisak Bluni PLLC

(57) **CLAIM**  
 The ornamental design for a locking mechanism, as shown and described.

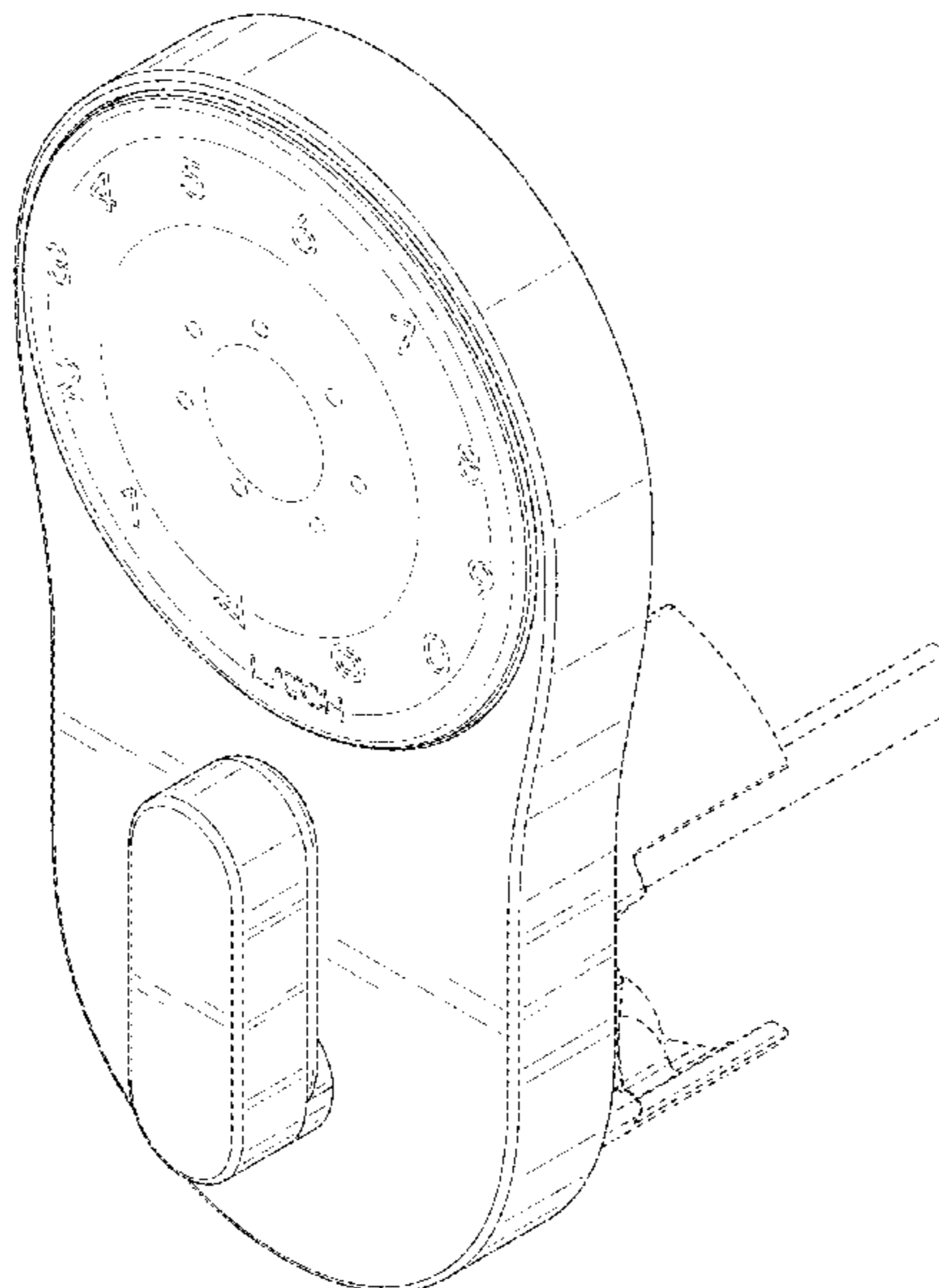
(56) **References Cited**  
 U.S. PATENT DOCUMENTS

D242,333 S 11/1976 Wise  
 D258,424 S 3/1981 Doggart  
 D365,976 S 1/1996 Chiu  
 5,564,294 A 10/1996 Chen  
 D380,133 S 6/1997 Rochette et al.  
 D408,403 S 4/1999 Solomita et al.  
 D417,831 S 12/1999 Libby et al.  
 D429,139 S 8/2000 Ahn  
 D430,546 S 9/2000 Gibson  
 D437,771 S 2/2001 Barnes et al.  
 D494,841 S 8/2004 Moon et al.

**DESCRIPTION**

FIG. 1 is a front perspective view of a locking mechanism; FIG. 2 is a front elevation view thereof; FIG. 3 is a back elevation view thereof; FIG. 4 is a left side elevation view thereof; FIG. 5 is a right side elevation view thereof; FIG. 6 is a top plan view thereof; and, FIG. 7 is a bottom plan view thereof. The broken lines are for illustrative purposes only and form no part of the claimed design.

**1 Claim, 7 Drawing Sheets**



(56)

**References Cited**

U.S. PATENT DOCUMENTS

10,240,365 B2 \* 3/2019 Almomani ..... E05B 47/0001  
D888,537 S \* 6/2020 Laurans ..... D8/331  
D896,614 S \* 9/2020 Liao ..... D8/331

\* cited by examiner

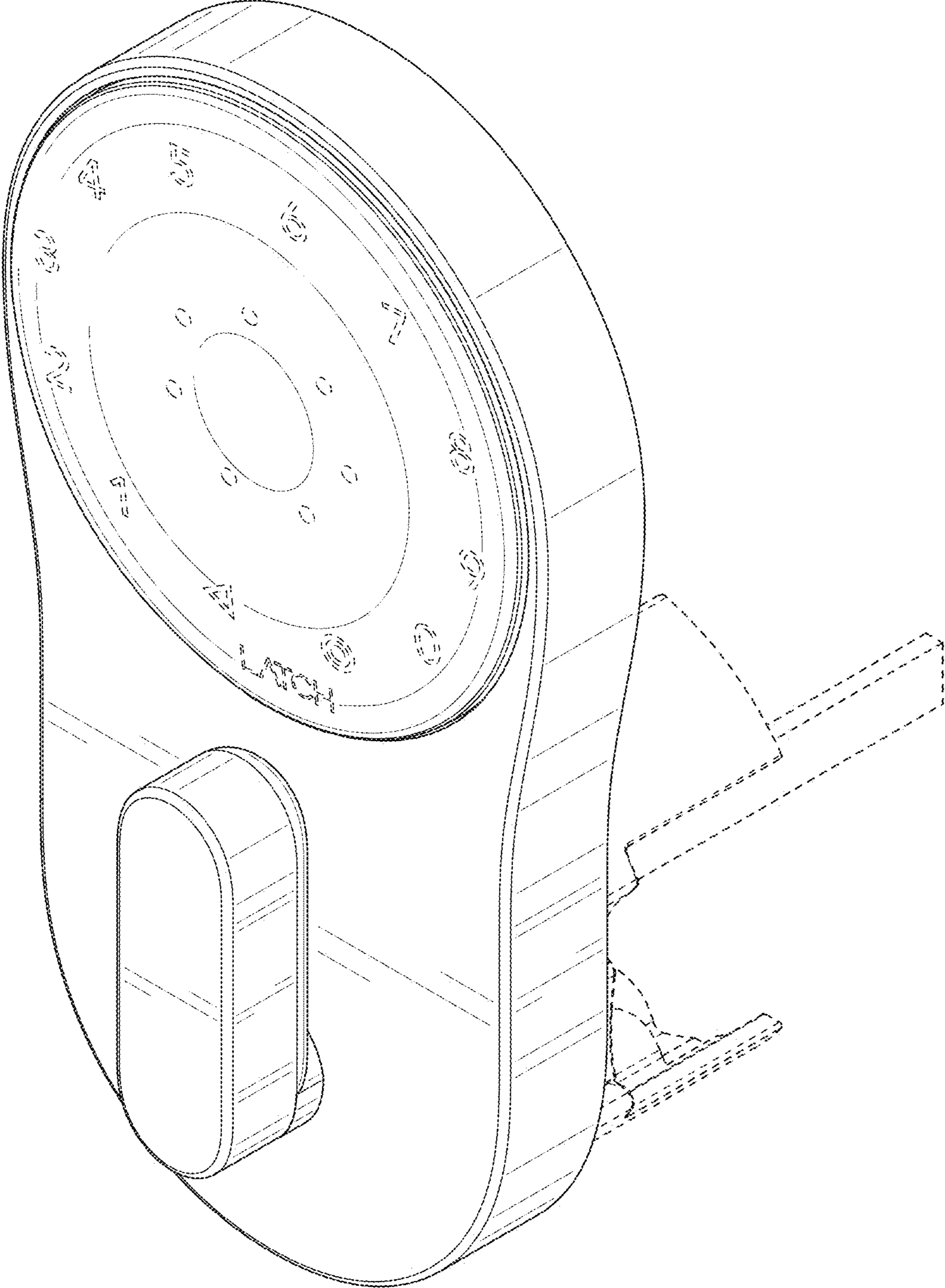


FIG. 1

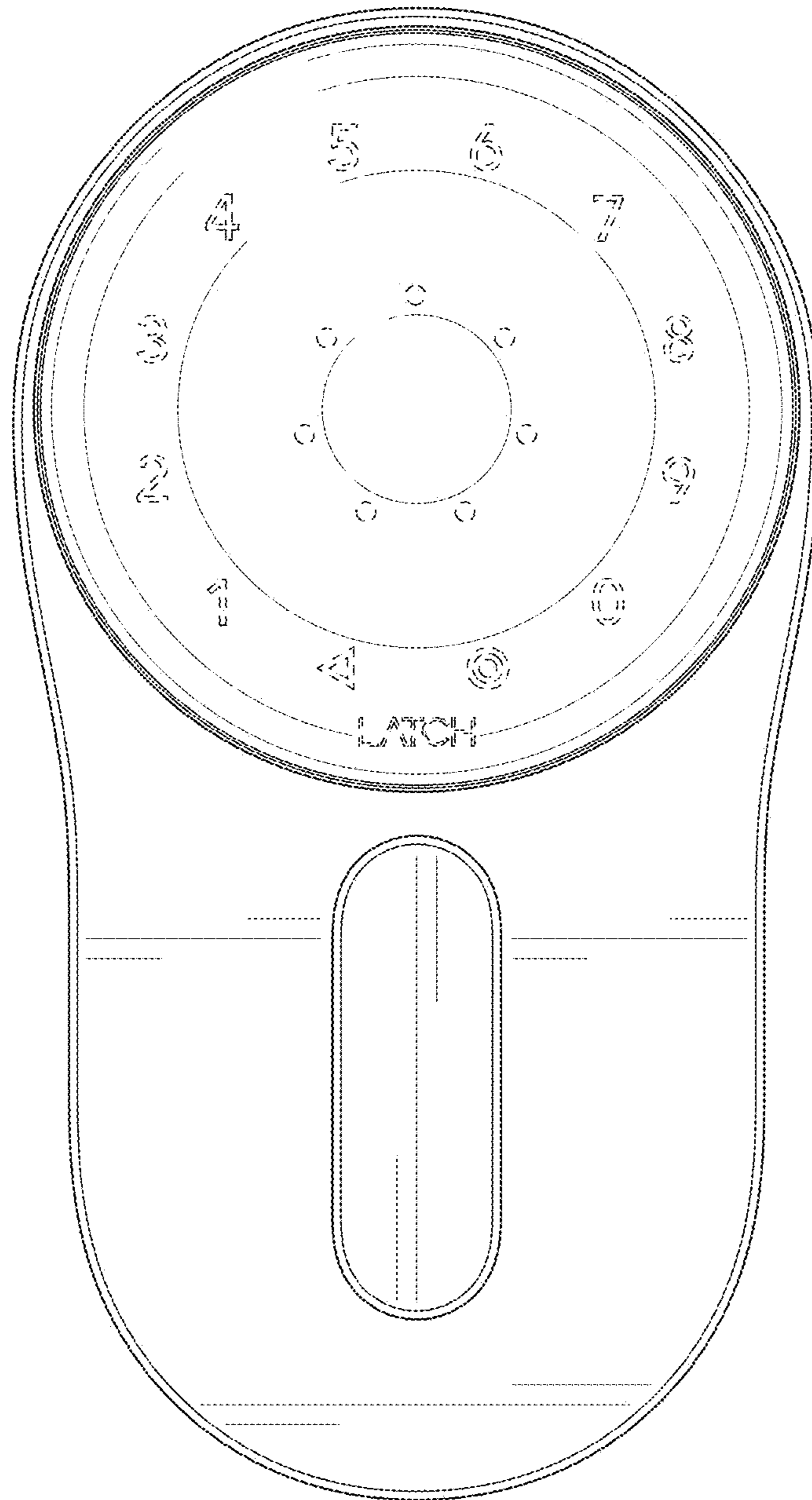


FIG. 2

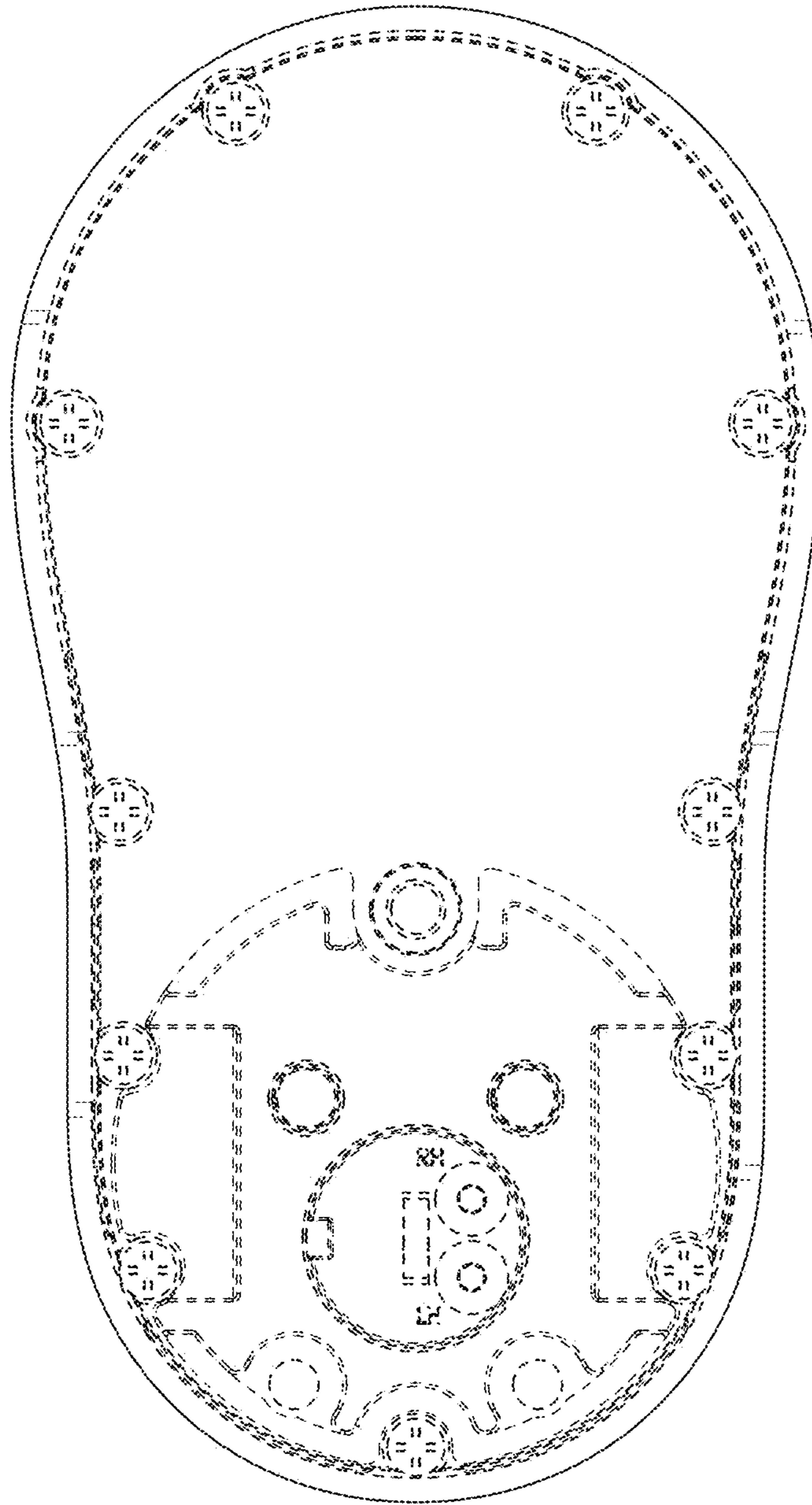


FIG. 3

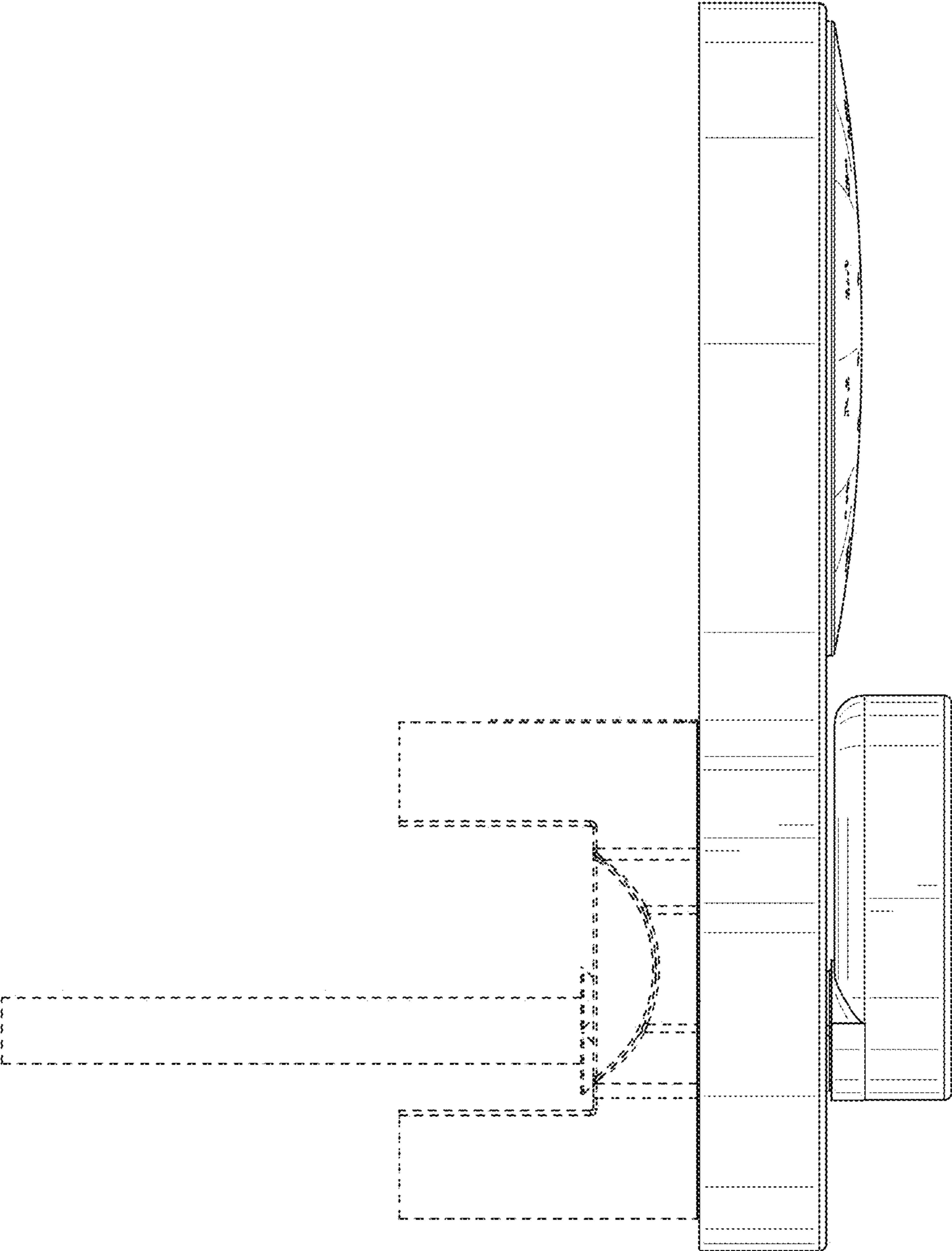


FIG. 4

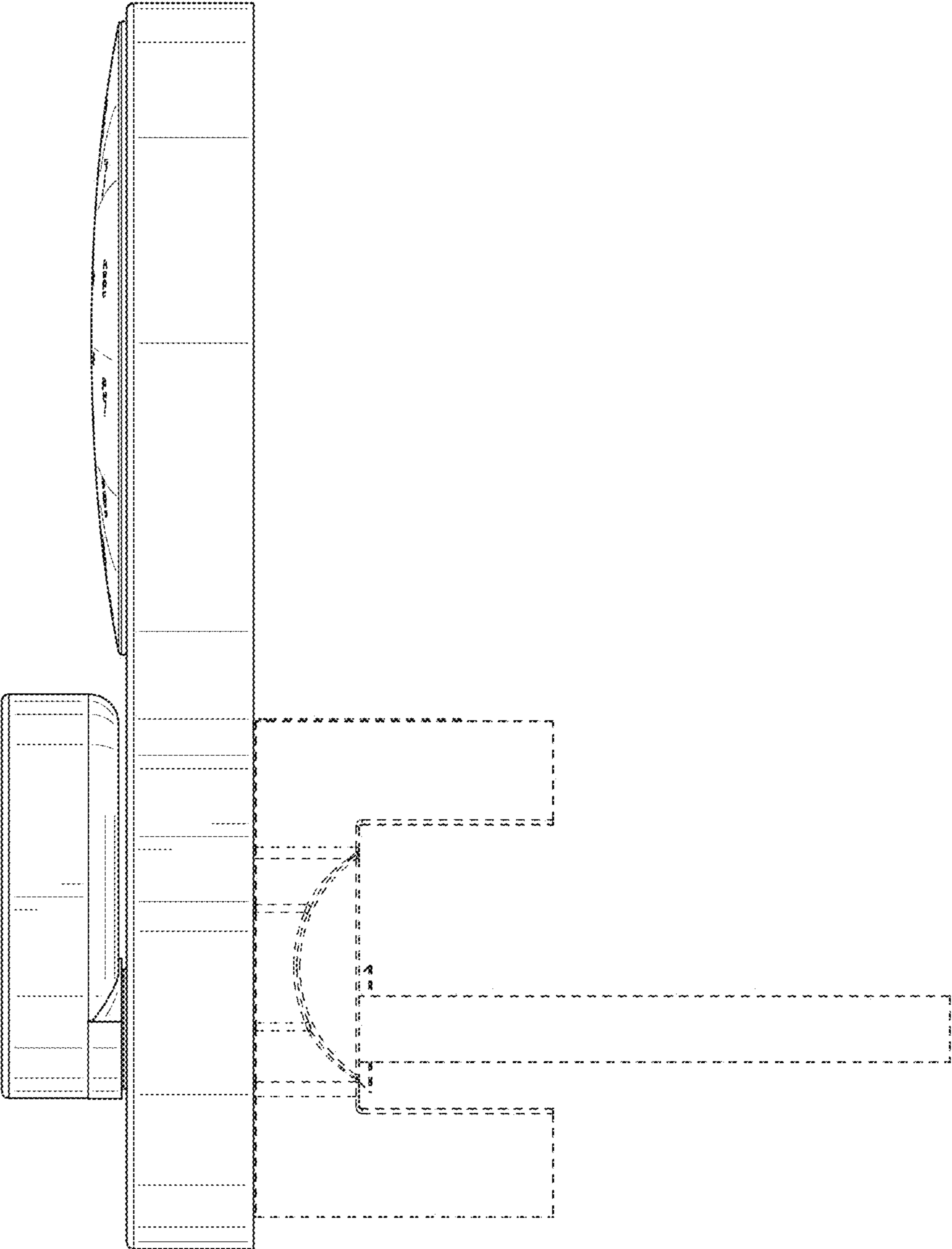


FIG. 5

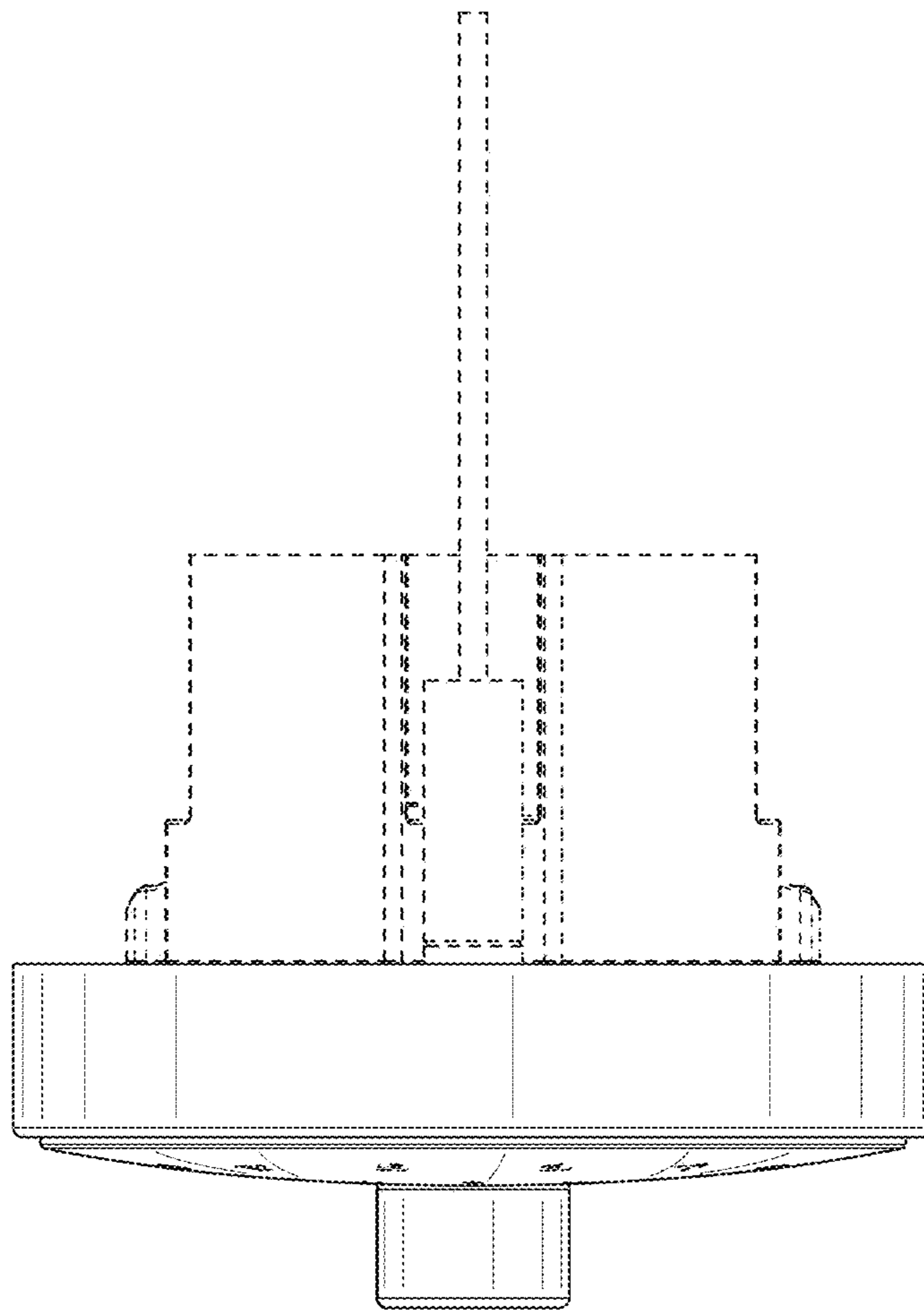


FIG. 6



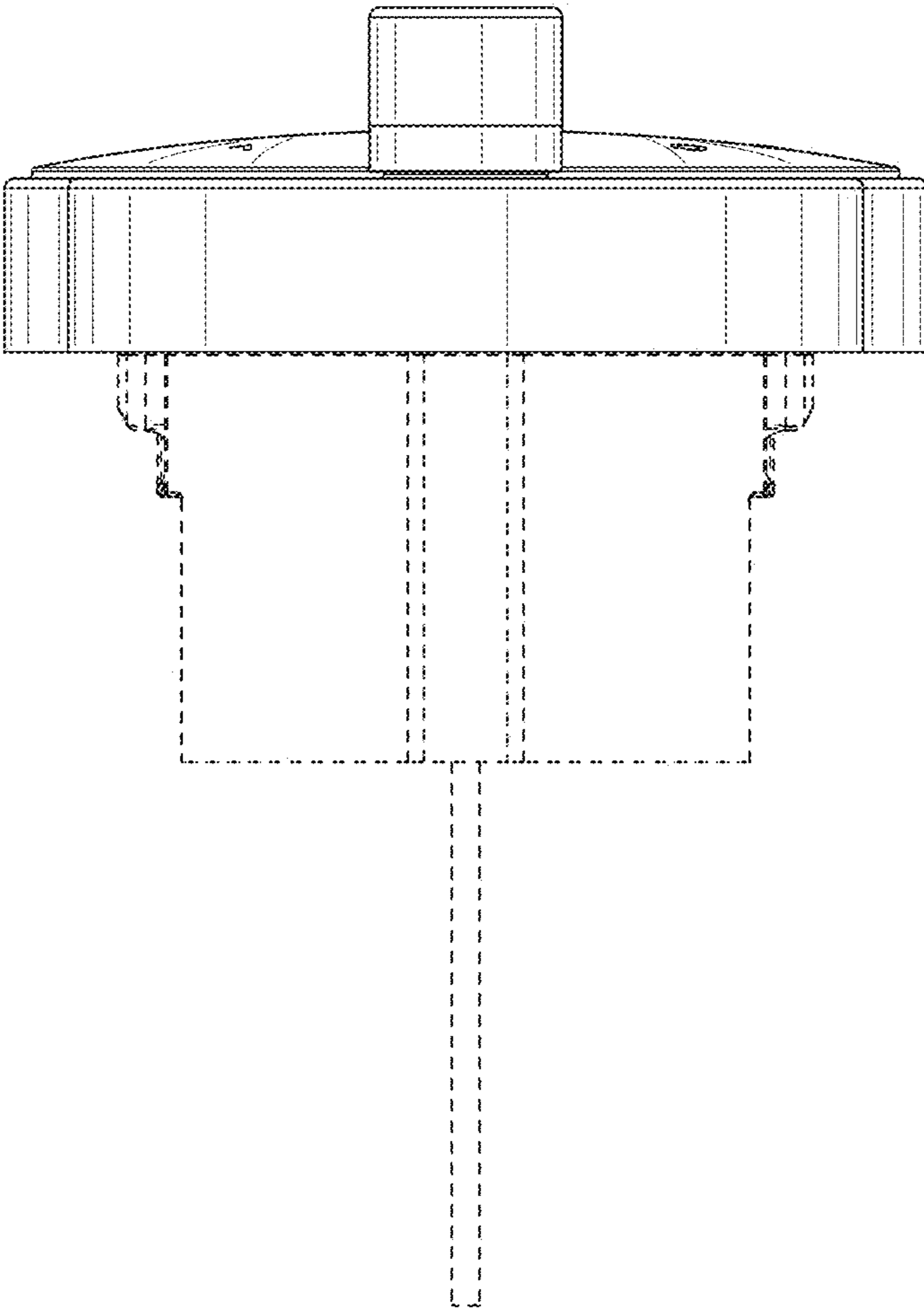


FIG. 7