



US00D927958S

(12) **United States Design Patent**
Scarlett

(10) **Patent No.:** **US D927,958 S**

(45) **Date of Patent:** **** Aug. 17, 2021**

(54) **ACTUATING UNIT FOR A LATCH**

(71) Applicant: **D & D Group Pty Ltd**, Frenchs Forest (AU)

(72) Inventor: **James Scarlett**, Springwood (AU)

(73) Assignee: **D & D Group Pty Ltd**, Frenchs Forest (AU)

(**) Term: **15 Years**

(21) Appl. No.: **29/678,851**

(22) Filed: **Jan. 31, 2019**

(30) **Foreign Application Priority Data**

Aug. 1, 2018 (AU) 201814597

(51) **LOC (13) Cl.** **08-07**

(52) **U.S. Cl.**
USPC **D8/331**

(58) **Field of Classification Search**

USPC D8/330, 331, 336, 337, 338, 339, 341, D8/342, 343, 344, 345

CPC E05B 57/00; E05B 65/0007; E05B 7/00; E05B 17/2038; E05B 65/06; E05C 3/24; E05C 3/30; E05C 3/16; Y10S 292/13; Y10S 292/37; Y10S 292/29; Y10T 70/5363; Y10T 70/55

See application file for complete search history.

(56) **References Cited**

U.S. PATENT DOCUMENTS

D272,041 S * 1/1984 Harris D8/330
D312,769 S * 12/1990 Bisbing D8/338
D318,217 S * 7/1991 Weinerman D8/331
D324,635 S * 3/1992 Weinerman D8/331
D381,253 S * 7/1997 Guidotti D8/331
D390,769 S * 2/1998 Hankel D8/301

D431,998 S * 10/2000 Johansson D8/331
D432,389 S * 10/2000 Johansson D8/331
D445,015 S * 7/2001 Weinerman D8/302
D484,389 S * 12/2003 Evans D8/331
D553,472 S * 10/2007 Misner D8/331
D563,767 S * 3/2008 Antkowiak D8/343
D573,442 S * 7/2008 Antkowiak D8/331
D581,247 S * 11/2008 Durrant D8/331
D614,014 S * 4/2010 Bo D8/331
D614,476 S * 4/2010 Buhse D8/343
D627,622 S * 11/2010 Cosby D8/331
D647,782 S * 11/2011 Novak D8/331
8,127,578 B2 * 3/2012 Karcz E05B 65/0007
70/135
8,966,947 B2 * 3/2015 Karcz E05B 65/0007
70/135
D733,520 S * 7/2015 Barna D8/330
D794,417 S * 8/2017 Hogan D8/343
D840,212 S * 2/2019 Huang D8/331
D869,932 S * 12/2019 Kingsbury D8/331
D880,981 S * 4/2020 Buum D8/331

(Continued)

Primary Examiner — Steven J Czyz

(74) *Attorney, Agent, or Firm* — Kelly & Kelley, LLP

(57) **CLAIM**

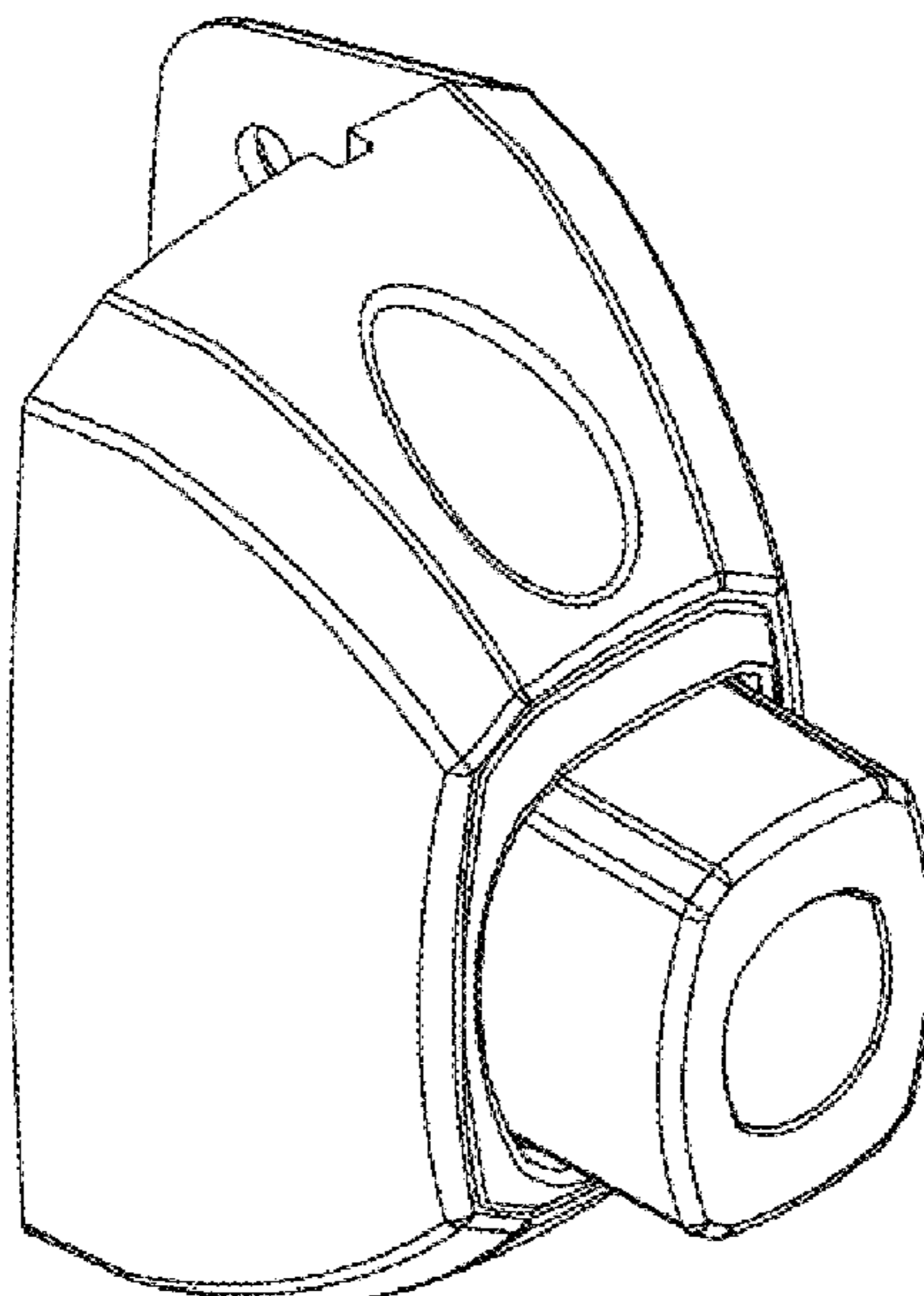
The ornamental design for an actuating unit for a latch, as shown.

DESCRIPTION

FIG. 1 is a top, front and right-side perspective view of an actuating unit for a latch, embodying my new design; FIG. 2 is a top, front and left-side perspective view thereof; FIG. 3 is a front elevational view thereof; FIG. 4 is a right-side elevational view thereof; FIG. 5 is a left-side elevational view thereof; FIG. 6 is a bottom plan view thereof; and, FIG. 7 is a top plan view thereof.

The broken lines depict portions of the article that form no part of the claimed design.

1 Claim, 7 Drawing Sheets



(56)

References Cited

U.S. PATENT DOCUMENTS

D881,676 S	*	4/2020	Langrell	D8/331
D888,533 S	*	6/2020	Takaguchi	D8/330
D892,595 S	*	8/2020	Lindo	D8/331

* cited by examiner

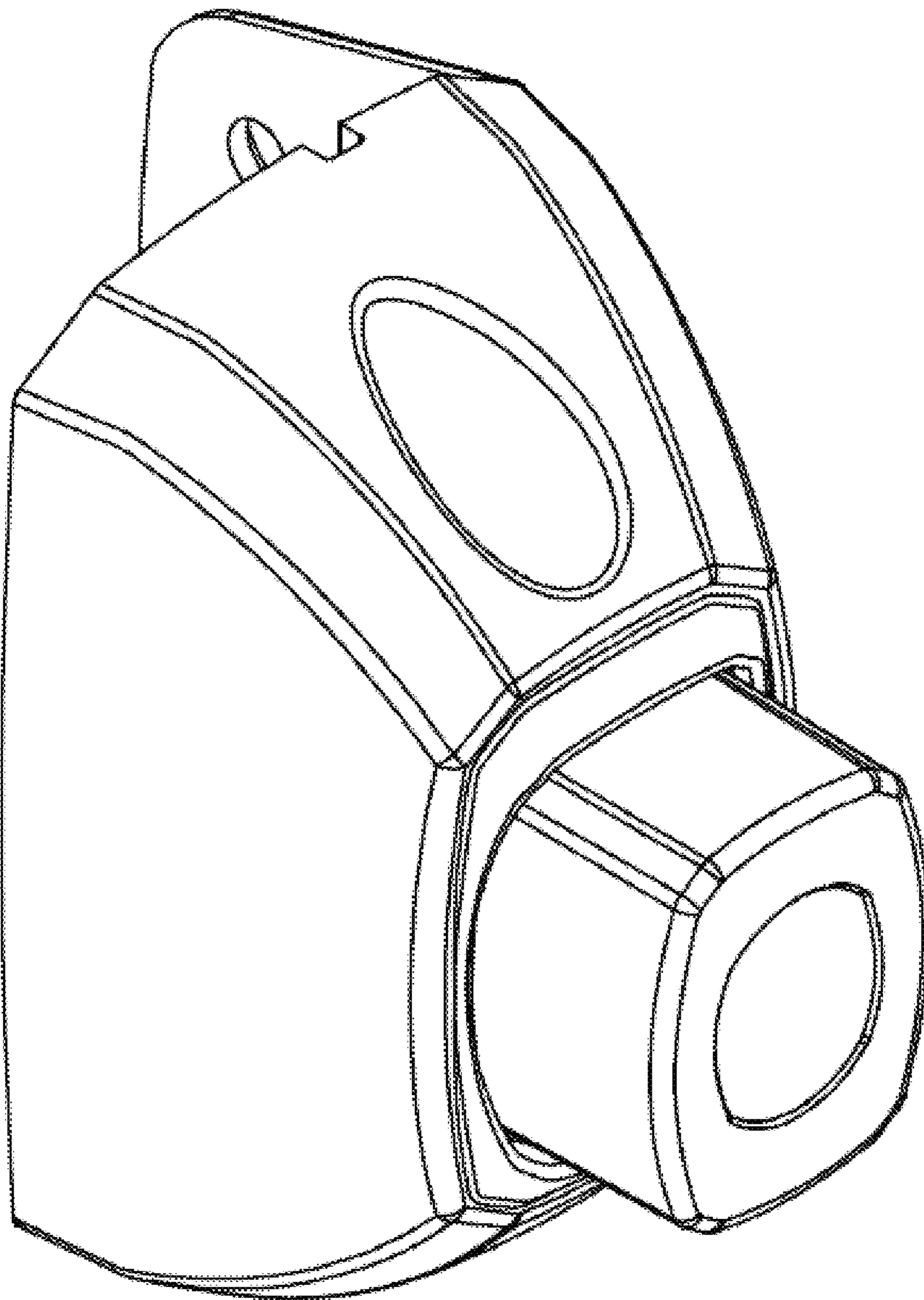


Fig. 1

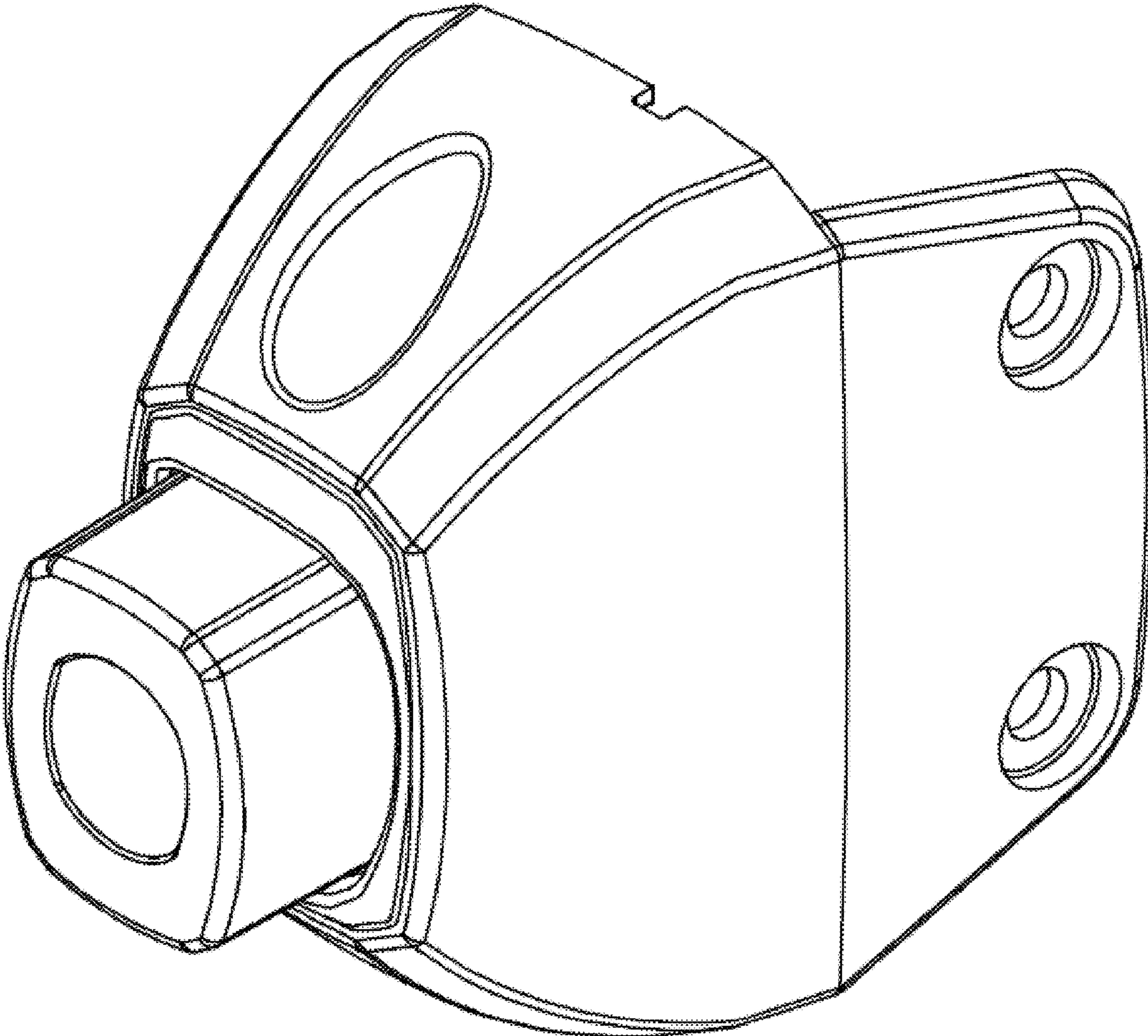


Fig. 2

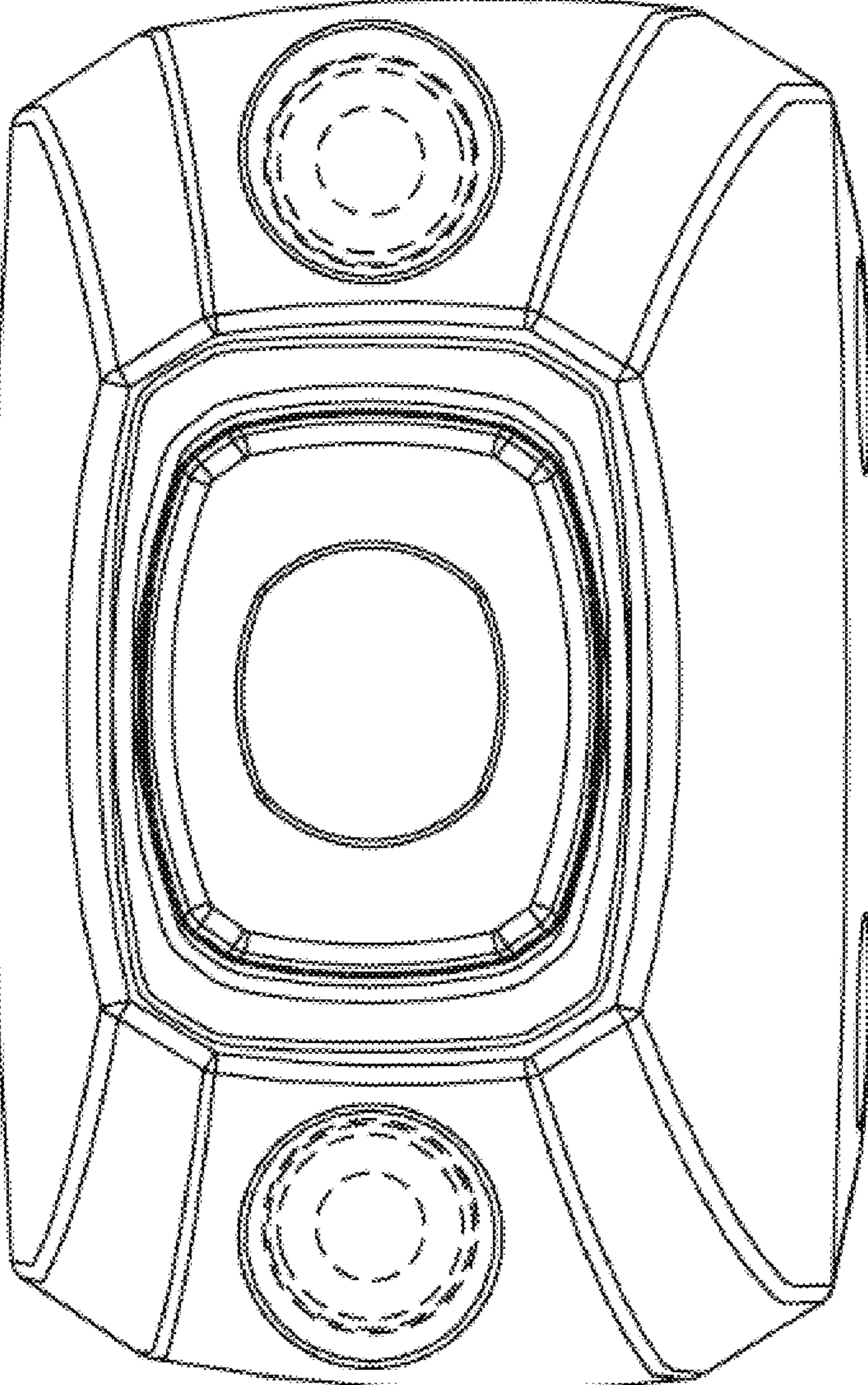


Fig. 3

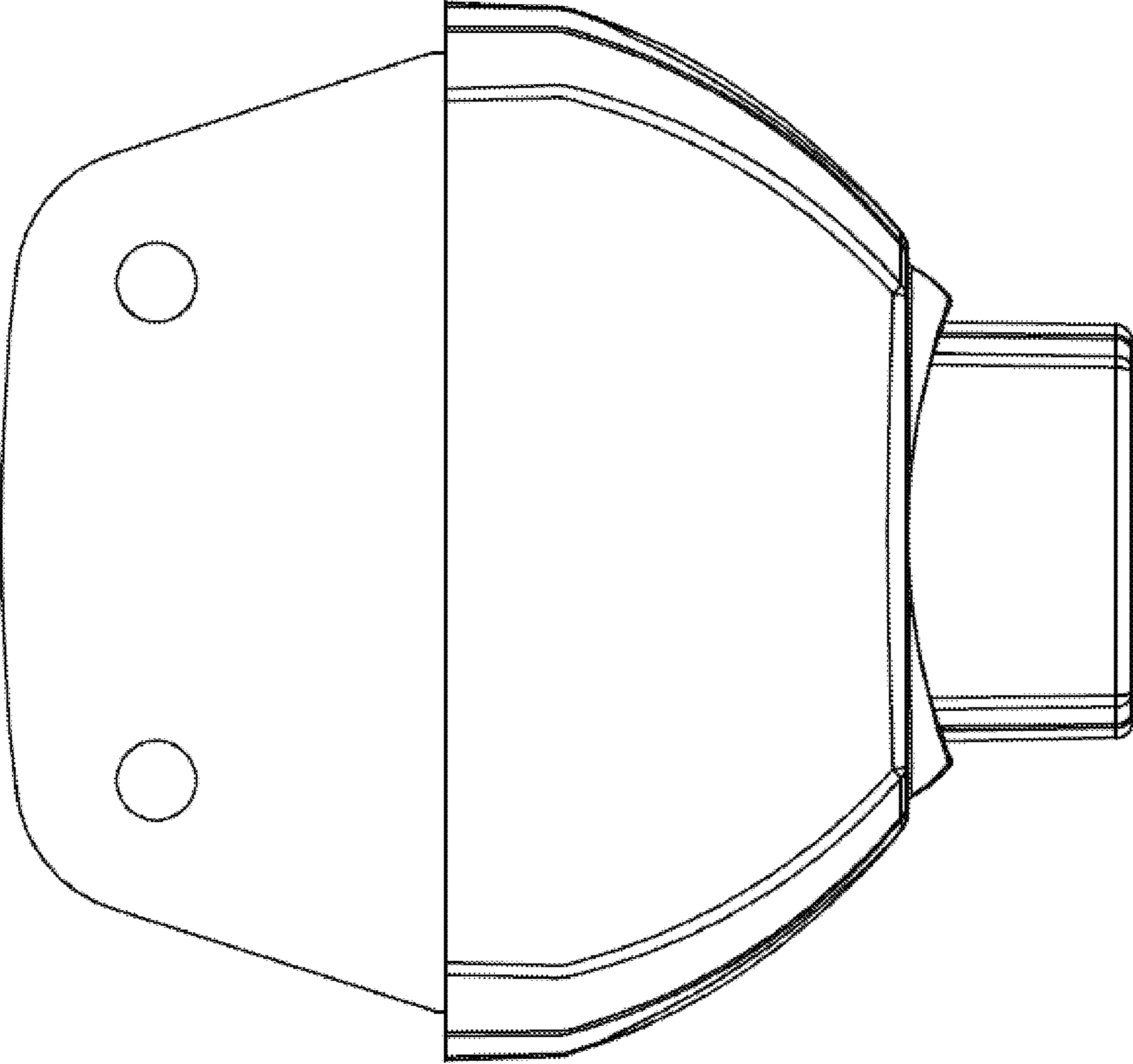


Fig. 4

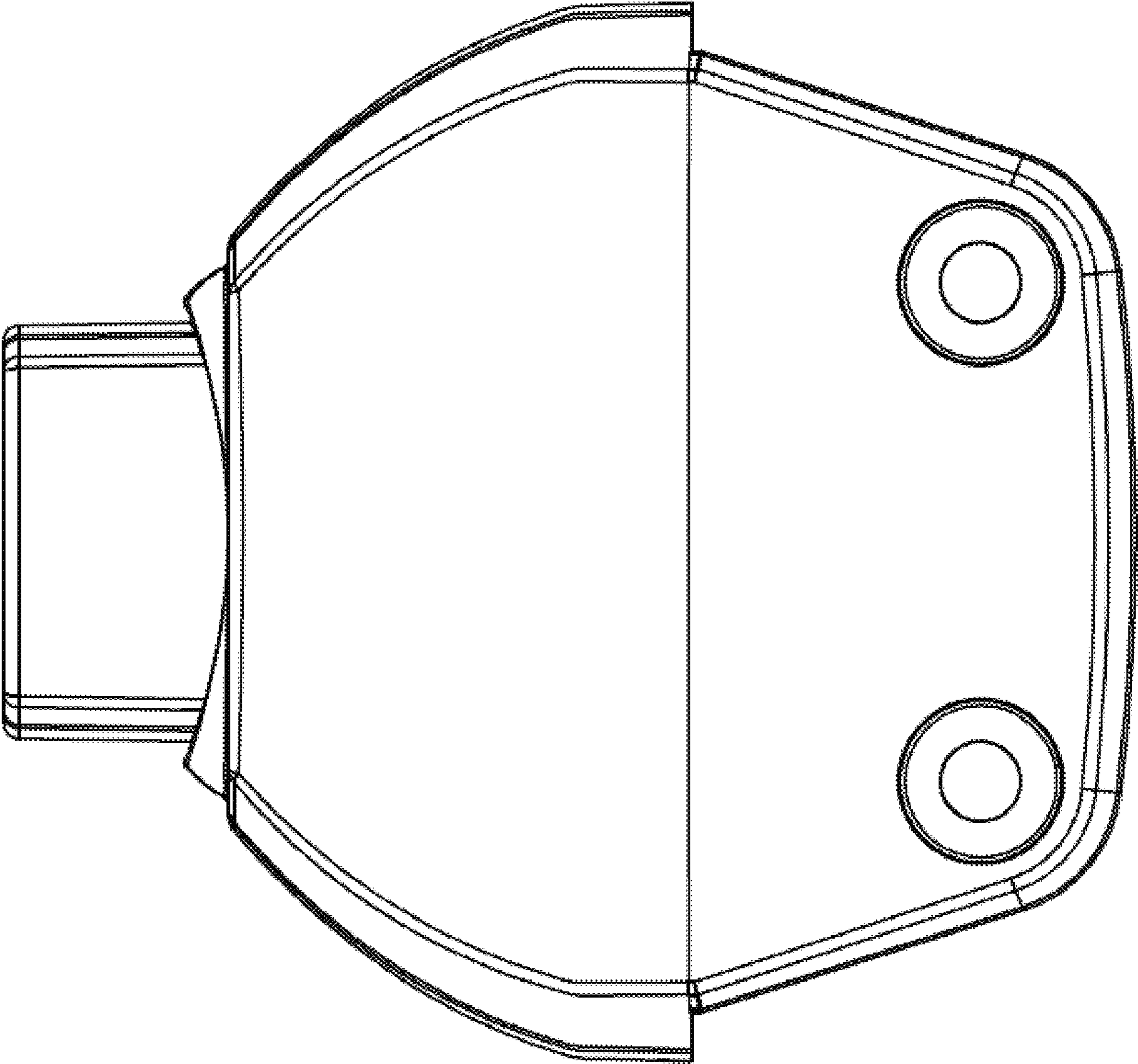


Fig. 5

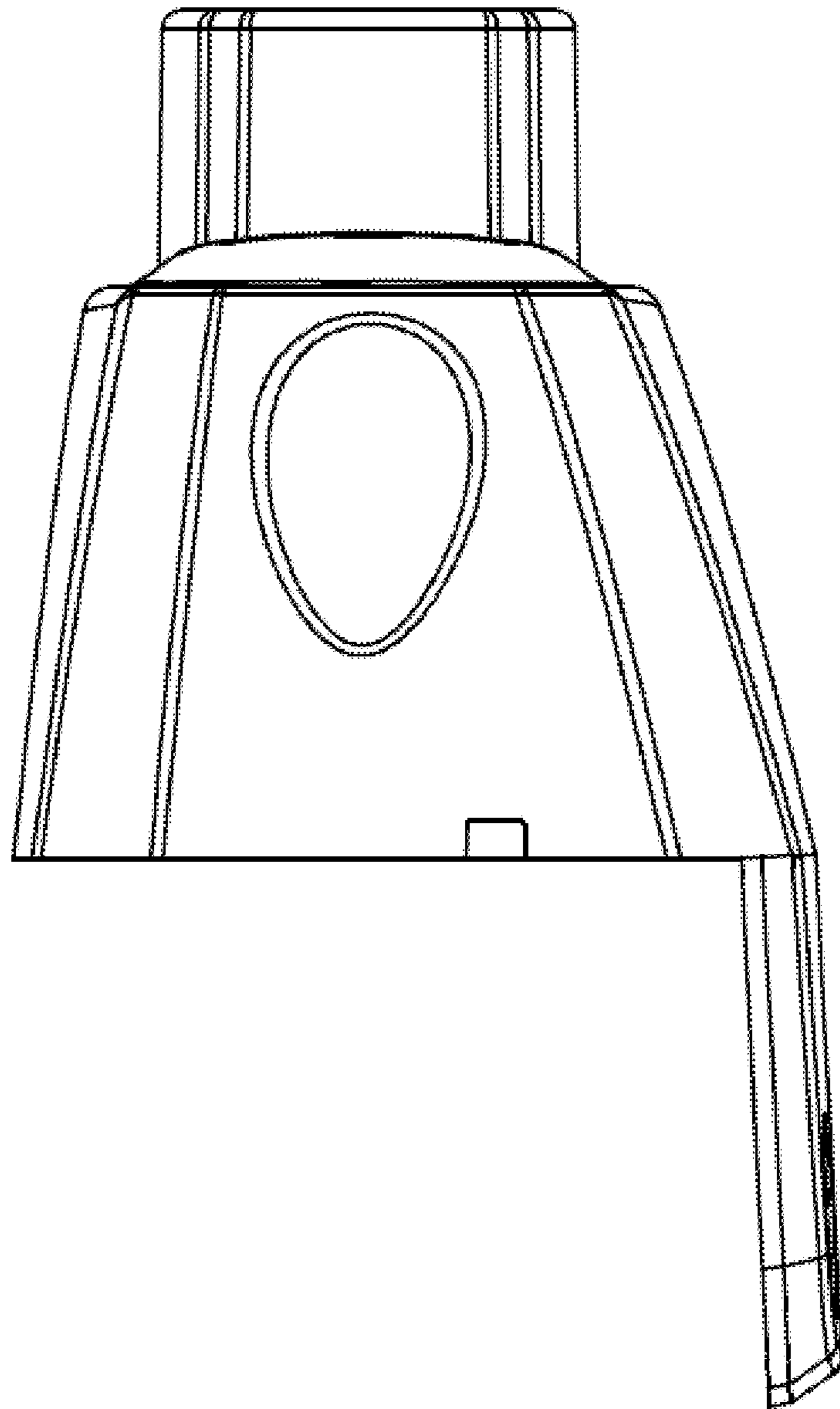


Fig. 6

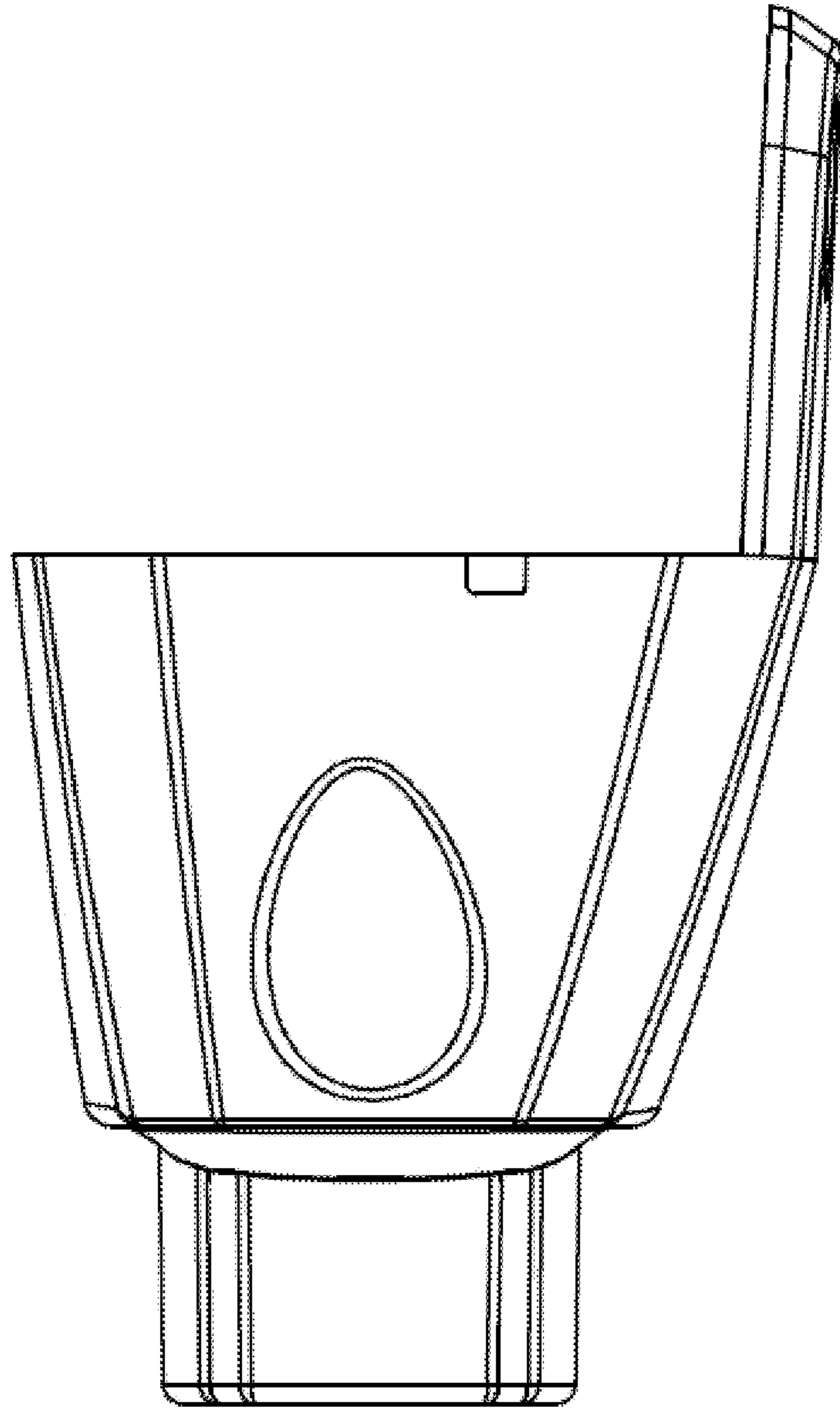


Fig. 7