



US00D927957S

(12) **United States Design Patent** (10) **Patent No.:** **US D927,957 S**
King (45) **Date of Patent:** **** Aug. 17, 2021**

- (54) **RECESSED SASH LOCK FOR A DOUBLE-HUNG WINDOW**
- (71) Applicant: **John D. King**, Knoxville, TN (US)
- (72) Inventor: **John D. King**, Knoxville, TN (US)
- (**) Term: **15 Years**
- (21) Appl. No.: **29/642,969**
- (22) Filed: **Apr. 3, 2018**
- (51) **LOC (13) Cl.** **08-07**
- (52) **U.S. Cl.**
USPC **D8/331**
- (58) **Field of Classification Search**
USPC D8/330, 331, 339, 341, 342, 343
CPC E05B 65/06; E05B 65/08; Y10T 70/5093;
Y10T 70/5146; Y10T 70/515; Y10T 70/5155; Y10T 292/0802; Y10T 292/0836; Y10T 292/096
See application file for complete search history.

(56) **References Cited**

U.S. PATENT DOCUMENTS

4,068,506	A	1/1978	Phelps	
4,400,027	A	8/1983	Nahon	
D276,132	S *	10/1984	Loeb	D8/330
4,790,582	A	12/1988	Keast	
4,807,914	A	2/1989	Fleming	
4,813,725	A	3/1989	Mosch	
D303,619	S *	9/1989	Russell	D8/313
D303,620	S *	9/1989	Russell	D8/313
D303,922	S *	10/1989	Russell	D8/321
5,017,837	A *	5/1991	Hanna	G08B 5/38 315/136
5,161,839	A	11/1992	Piltingsrud	
5,219,193	A	6/1993	Piltingsrud	
D339,326	S *	9/1993	Mayo	D13/170
5,448,857	A	9/1995	Stormo	
5,492,377	A *	2/1996	Guelck	E05B 65/0014 292/2
D371,502	S *	7/1996	Morris	D8/331
D384,646	S *	10/1997	Miller	D13/170

(Continued)

FOREIGN PATENT DOCUMENTS

CA	1281052	3/1991
CA	2184552	9/1997

(Continued)

OTHER PUBLICATIONS

Prime-Line Window Sash Locks, https://www.lowes.com/pd/Prime-Line-2-Pack-Cam-Action-White-Plastic-Sliding-Window-Sash-Locks/3824209?cm_mmc=shp_-c_-prd_-hdw_-google_-lia_-213_-doorandhomehardware_-3824209_-0&placeholder=null&gclid=Cj0KCQjwreT8BRDTARIsAJLI0KI7THURmsrb (Year: 2020).*

(Continued)

Primary Examiner — Steven J Cxyz

(74) *Attorney, Agent, or Firm* — Pitts & Lake, P.C.

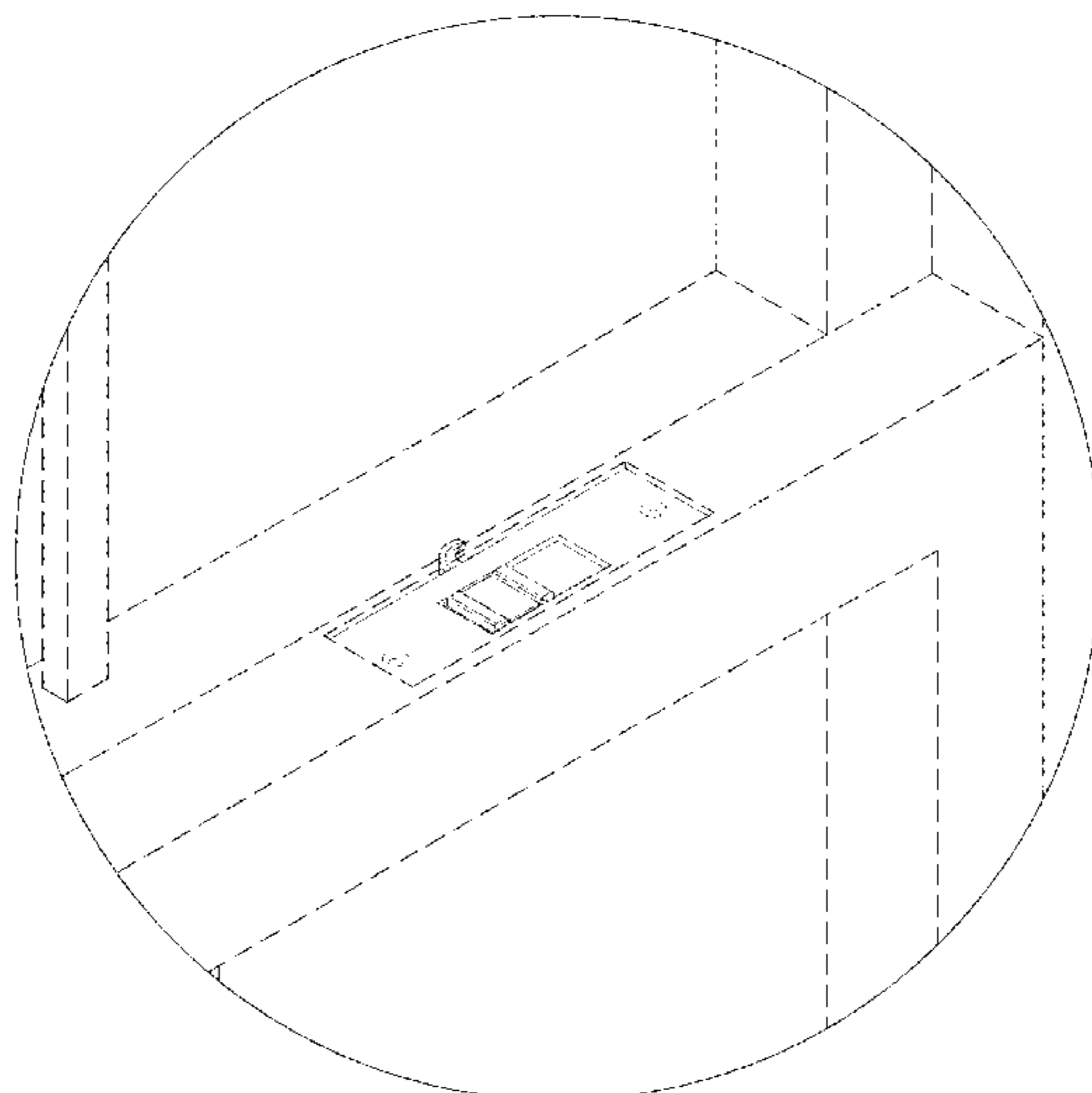
(57) **CLAIM**

I claim the ornamental design for a recessed sash lock for a double-hung window, as shown and described.

DESCRIPTION

FIG. 1 is a top perspective view of a recessed sash lock for a double-hung window, shown in use with environment; FIG. 2 is a top perspective view of the recessed sash lock for a double-hung window; FIG. 3 is a bottom perspective view thereof; FIG. 4 is a front elevation view thereof; FIG. 5 is a rear elevation view thereof; FIG. 6 is a right side elevation view thereof, with the left side elevation view being a mirror image thereof; FIG. 7 is a top plan view thereof; and, FIG. 8 is a bottom plan view thereof. The broken lines depict portions of the article and environment that form no part of the claimed design.

1 Claim, 4 Drawing Sheets



(56)

References Cited

U.S. PATENT DOCUMENTS

5,741,031 A 4/1998 Bauman
 5,791,700 A 8/1998 Biro
 5,933,893 A * 8/1999 Padden B26B 11/008
 30/123
 D429,619 S * 8/2000 Monts de Oca D8/331
 6,142,541 A 11/2000 Rotondi
 6,546,671 B2 4/2003 Mitchell
 6,925,758 B2 8/2005 Pettit
 6,983,963 B2 1/2006 Eslick
 D520,338 S * 5/2006 Robert D8/339
 D524,633 S * 7/2006 Robert D8/339
 7,296,831 B2 * 11/2007 Generowicz E05B 15/0205
 292/242
 7,510,221 B2 3/2009 Eenigenburg
 D595,562 S * 7/2009 Jones D8/331
 D597,398 S * 8/2009 Jones D8/331
 7,665,775 B1 2/2010 Miller
 8,083,271 B2 * 12/2011 Vilhauer E05B 9/08
 292/137
 8,336,927 B2 * 12/2012 Liang E05C 1/10
 292/163
 9,091,103 B2 * 7/2015 Buzz, III E05B 65/087
 9,157,254 B1 * 10/2015 Rogers E05C 3/046
 9,341,006 B1 5/2016 Lawrence
 9,388,608 B2 7/2016 Kreuser
 9,482,035 B2 * 11/2016 Wolf E05B 65/08
 D778,139 S * 2/2017 Sarnowski D8/339
 D780,556 S * 3/2017 Chapman D8/339
 D802,301 S * 11/2017 Vollmer D3/272

10,030,410 B2 * 7/2018 Lin E05B 1/0015
 D832,082 S * 10/2018 Chapman D8/341
 D843,811 S * 3/2019 Riley D8/331
 10,704,776 B2 * 7/2020 Grandadam F21V 23/04
 10,738,516 B1 * 8/2020 Lawrence E05B 65/08
 2004/0217600 A1 11/2004 Argo
 2004/0221513 A1 * 11/2004 Pettit E05D 15/22
 49/449
 2010/0132263 A1 * 6/2010 Flory E05D 15/22
 49/395
 2012/0235424 A1 9/2012 Zhang
 2014/0035297 A1 2/2014 Kreuser
 2017/0140884 A1 * 5/2017 Peng H01H 15/005

FOREIGN PATENT DOCUMENTS

CA	2256643	5/2000
CA	2184552	1/2002
CA	2256643	2/2003
CA	2191821	1/2007
CN	201661148	12/2010
JP	2506017	6/1996
KR	200259275	12/2001

OTHER PUBLICATIONS

Aluminium Concealed Locks For Sliding Windows, <https://www.indiamart.com/proddetail/concealed-locks-for-sliding-windows-aluminium-body-20339623012.html> (Year: 2020).*

* cited by examiner

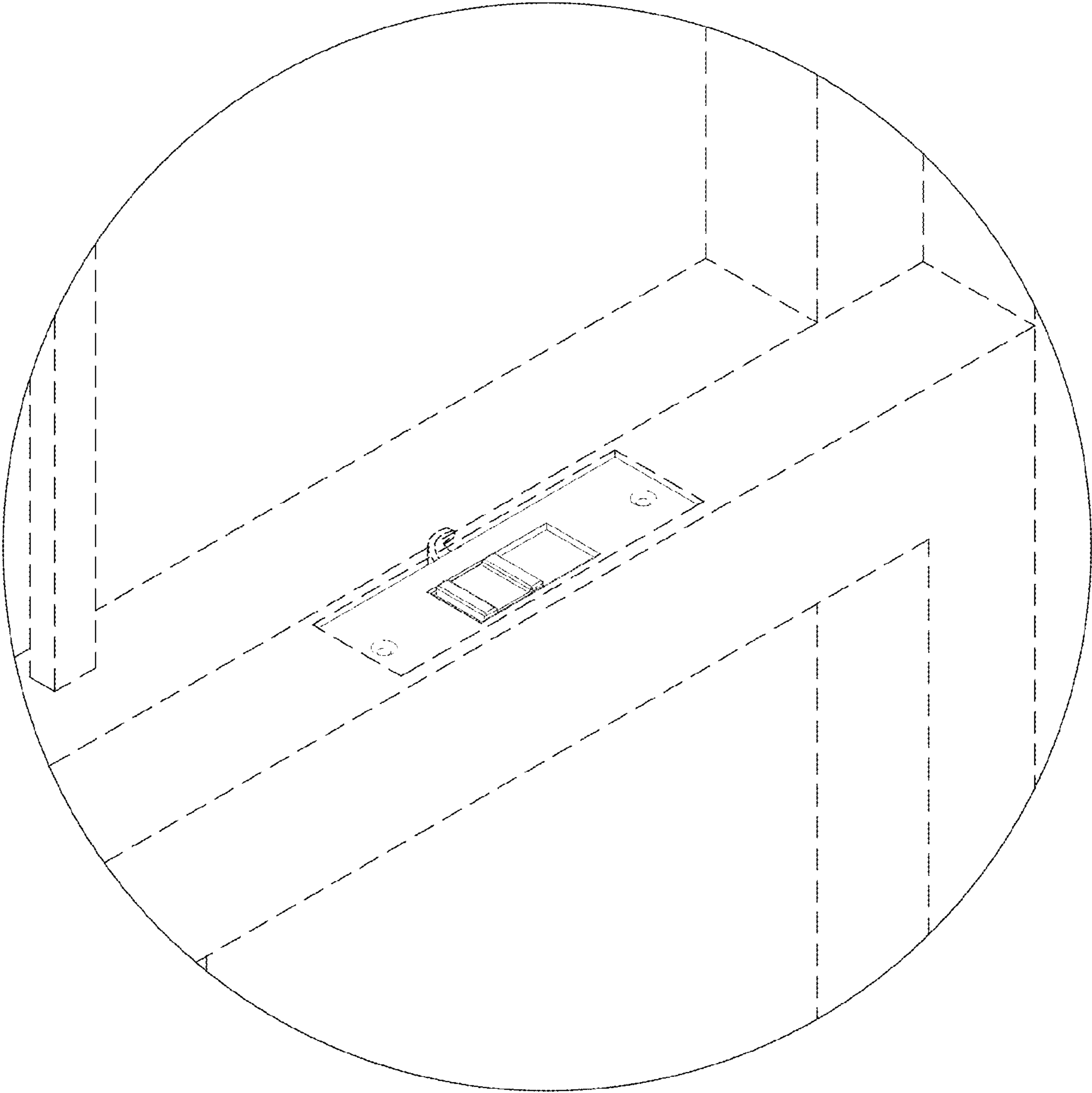


Fig. 1

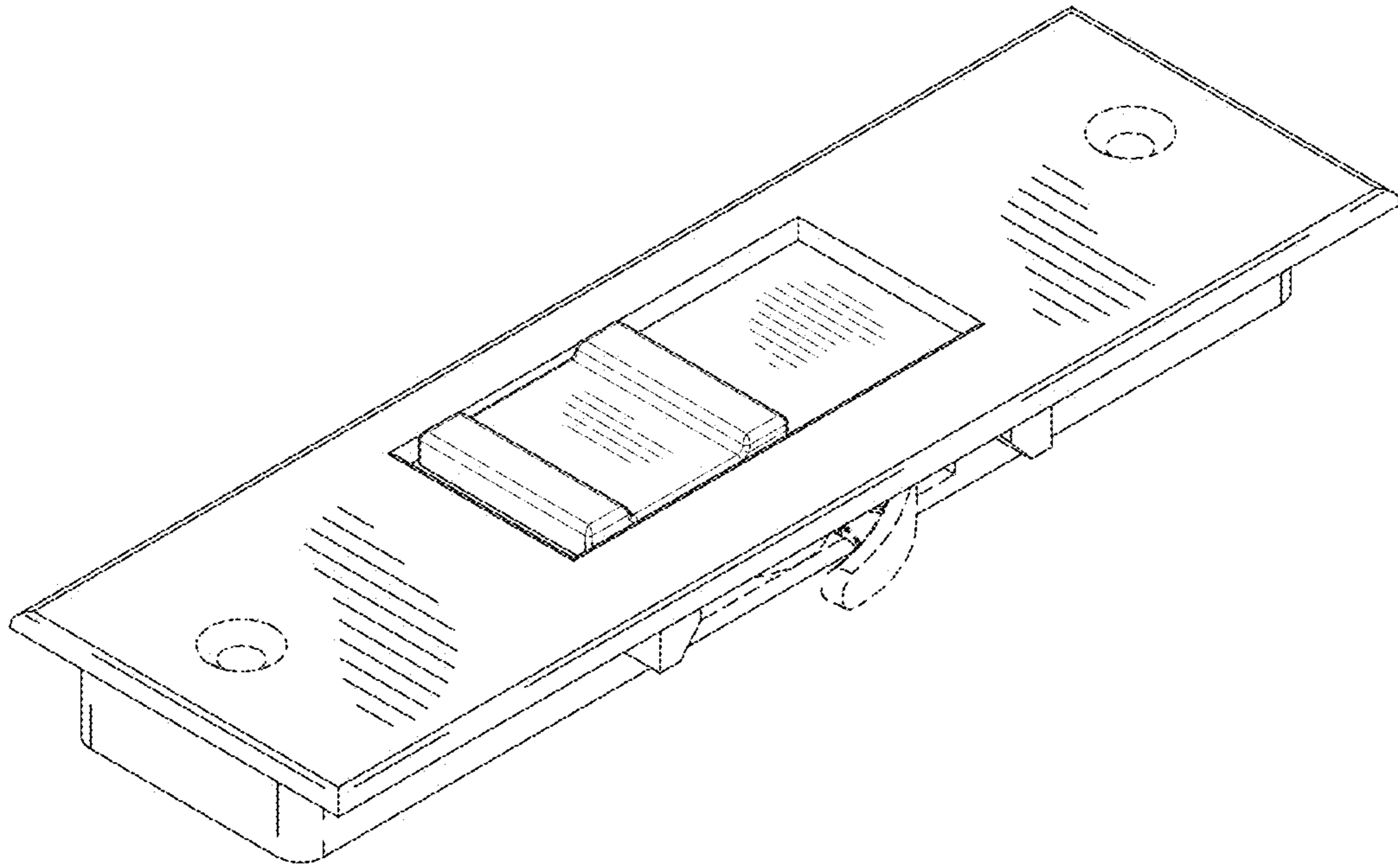


Fig. 2

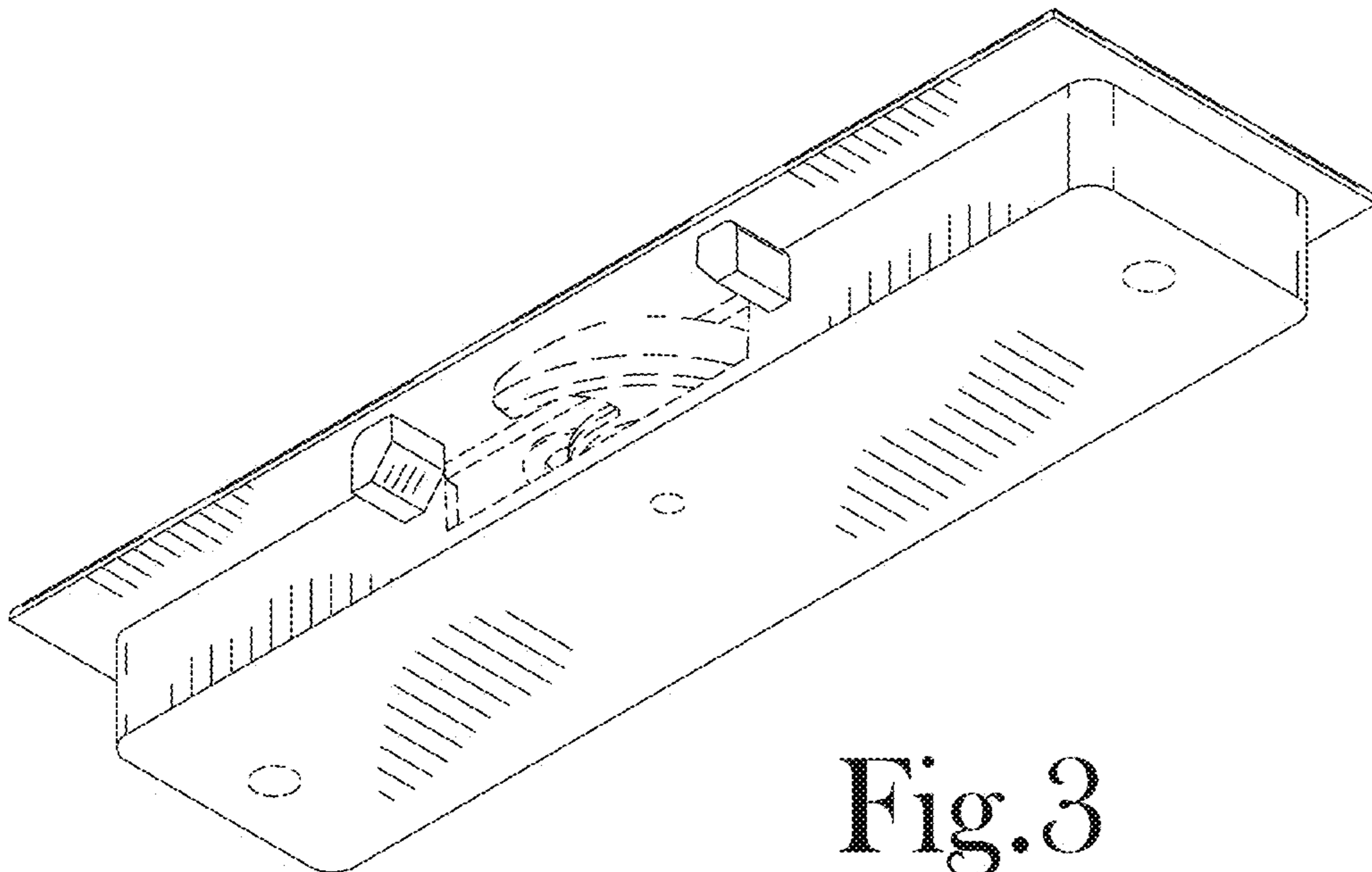


Fig. 3

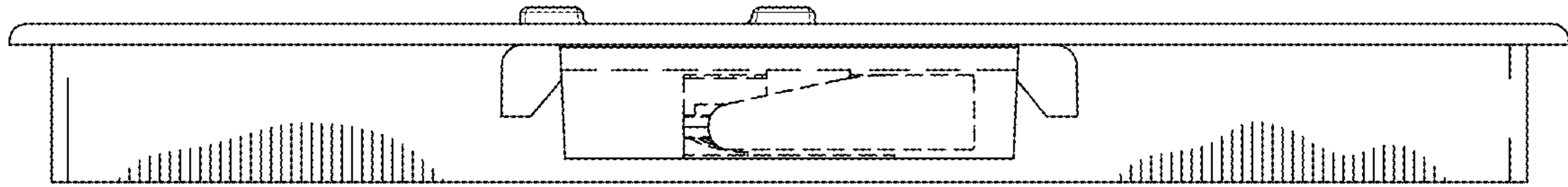


Fig.4

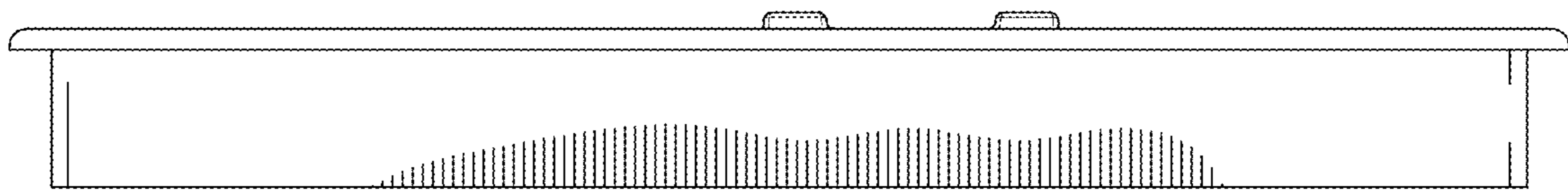


Fig.5

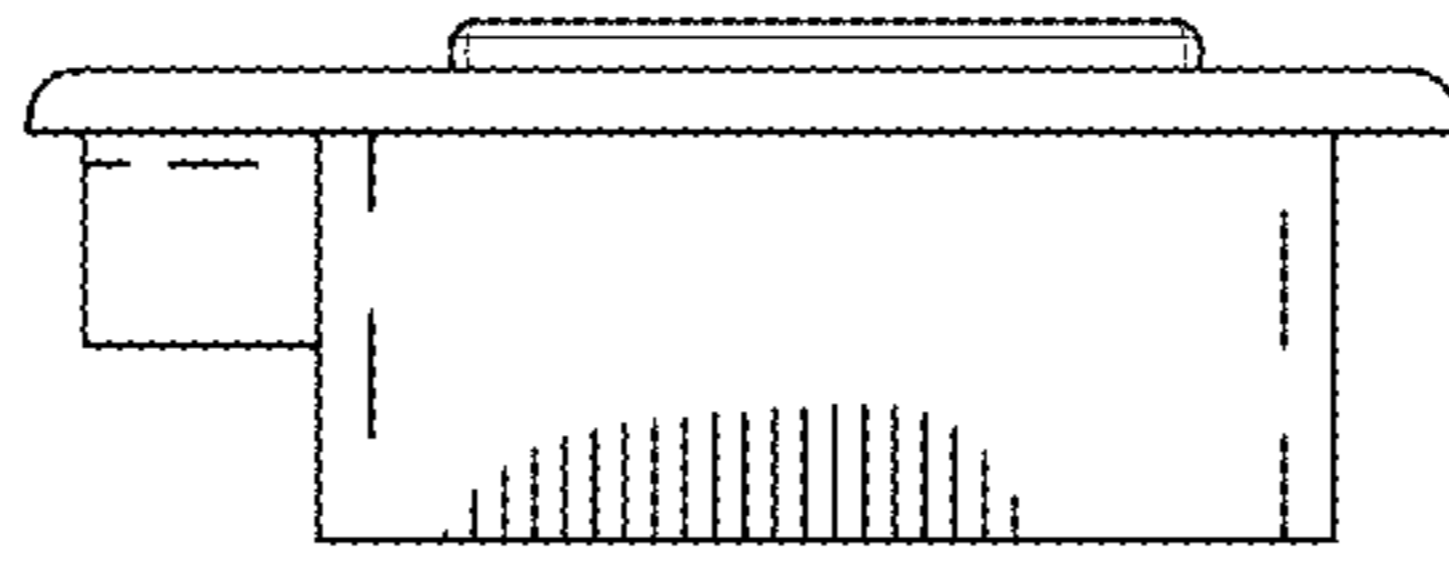


Fig.6

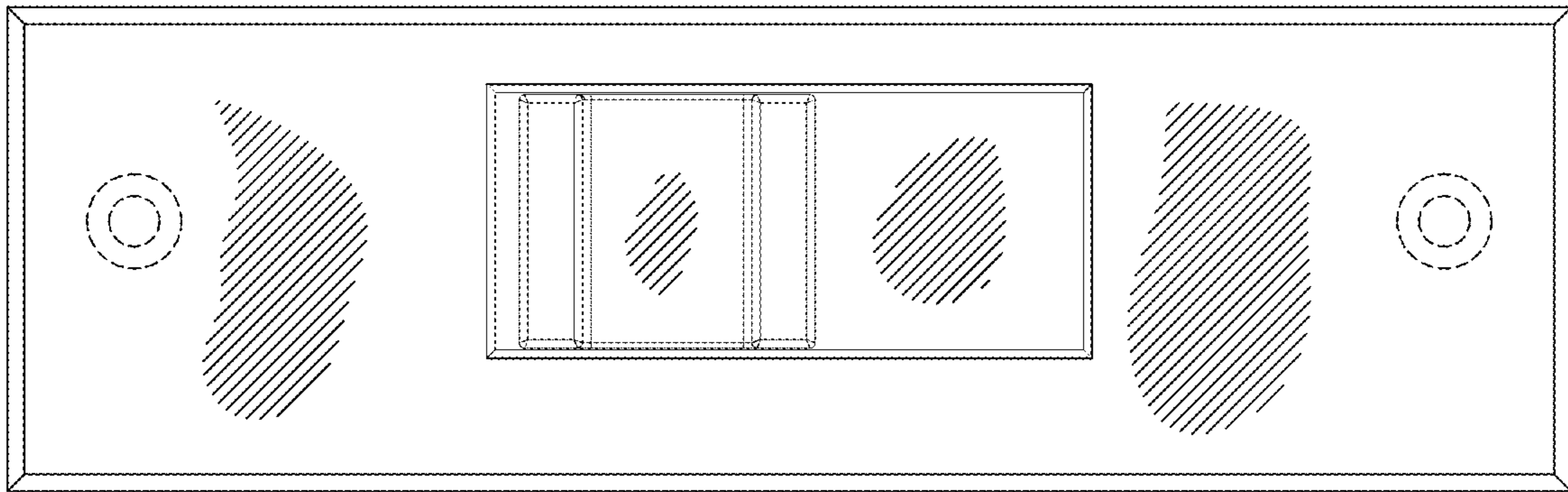


Fig.7

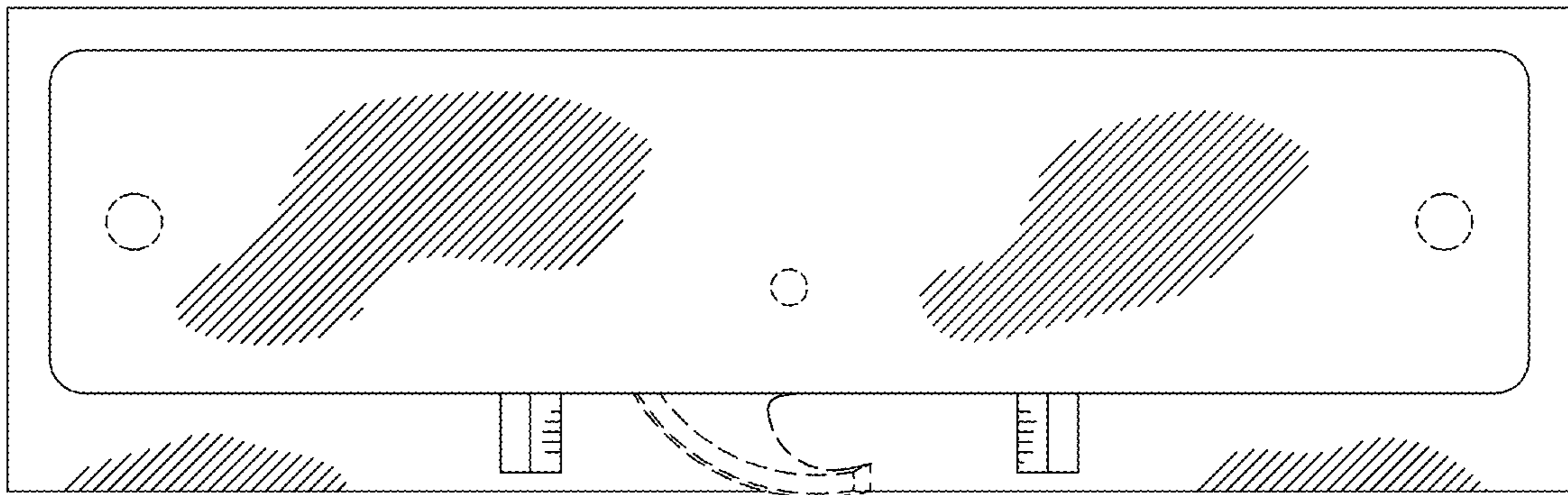


Fig.8