



US00D927956S

(12) **United States Design Patent**
Tavernier

(10) **Patent No.:** **US D927,956 S**

(45) **Date of Patent:** **** Aug. 17, 2021**

(54) **HANGER AND SUPPORT SET**

(71) Applicant: **WE Group Europe**, Beaurepaire (FR)

(72) Inventor: **Eric Marie Thibaut Tavernier**, Lyons (FR)

(73) Assignee: **WE Group Europe**, Beaurepaire (FR)

(**) Term: **15 Years**

(21) Appl. No.: **29/689,947**

(22) Filed: **May 3, 2019**

(51) **LOC (13) Cl.** **08-07**

(52) **U.S. Cl.**
USPC **D8/330**; D8/71; D8/394

(58) **Field of Classification Search**
USPC D8/330-333, 336, 338, 343-346,
D8/300-302, 306-329, 71, 394, 373, 396,
D8/397, 399

CPC F41C 33/0227; A45F 2005/025; A45F
2200/0516; Y10S 24/60; A45C 2011/002;
A47F 5/00; H04B 1/38; B65D 25/52;
E04B 9/12; E04B 9/18; E04B 9/30; E04B
2009/062; E04C 2003/0413; E04C
2003/0439; E04C 2003/046; Y10T

(Continued)

(56) **References Cited**

U.S. PATENT DOCUMENTS

3,743,147 A 7/1973 Wilczynski
3,878,589 A * 4/1975 Schaefer A45F 5/021
24/669
5,054,170 A 10/1991 Otrusina
(Continued)

FOREIGN PATENT DOCUMENTS

CA 57849 * 1/1987
CN 302567572 * 2/2013
(Continued)

OTHER PUBLICATIONS

Motorola Store, D Clip with Belt Clip, Date first available Apr. 26, 2016, [online]retrieved May 12, 2021 ,available from https://www.amazon.com/Motorola-XTS2500-PR1500-HT1250-HT1250LS/dp/B01ETRP8/ref=pd_sbs_23?pd_rd_w=z7tFu&pf_rd_p=98101395-b70 (Year: 2016).*

(Continued)

Primary Examiner — Keli L Hill

Assistant Examiner — Sara S Sahneh

(74) *Attorney, Agent, or Firm* — Woodard, Emhardt, Henry, Reeves & Wagner, LLP

(57) **CLAIM**

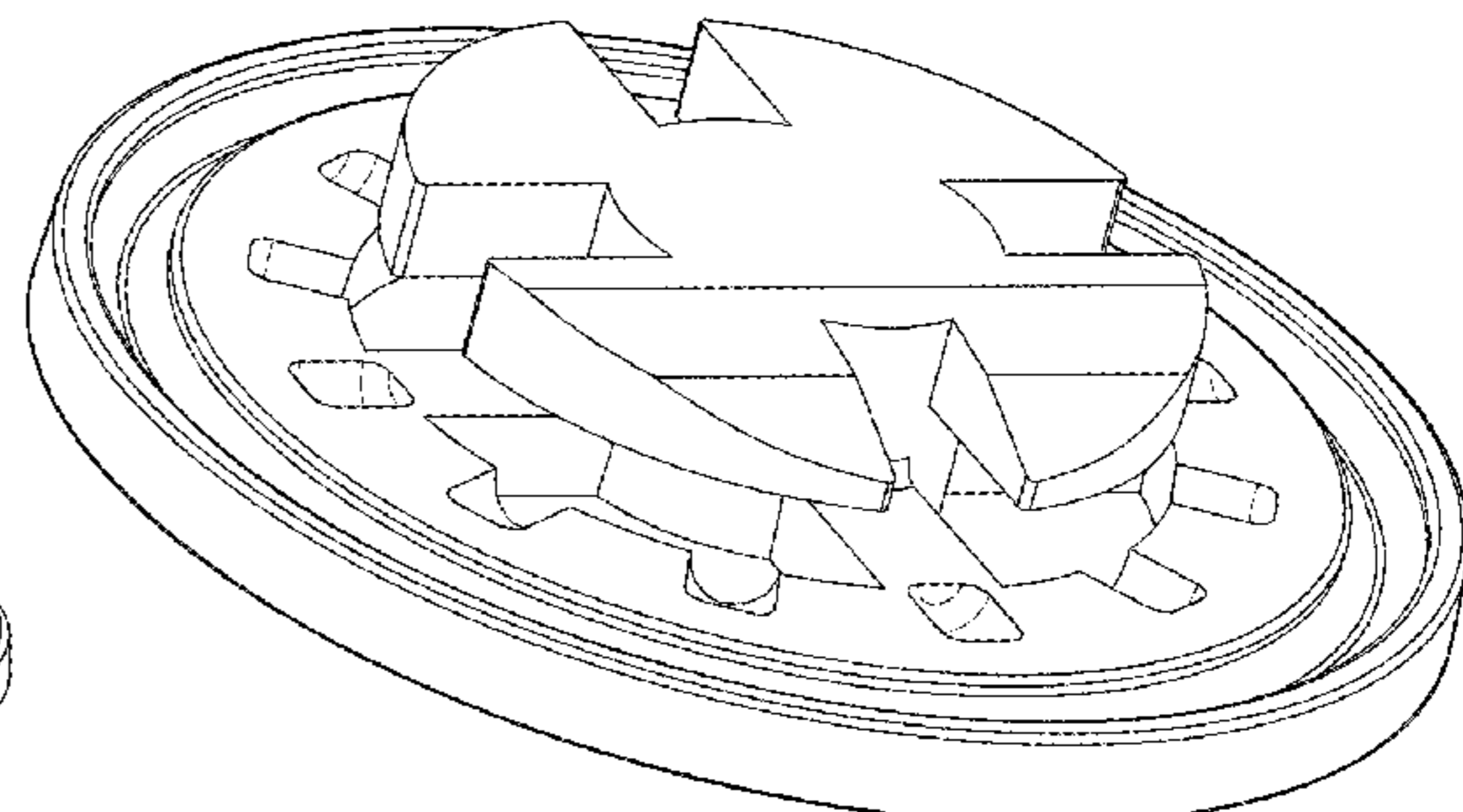
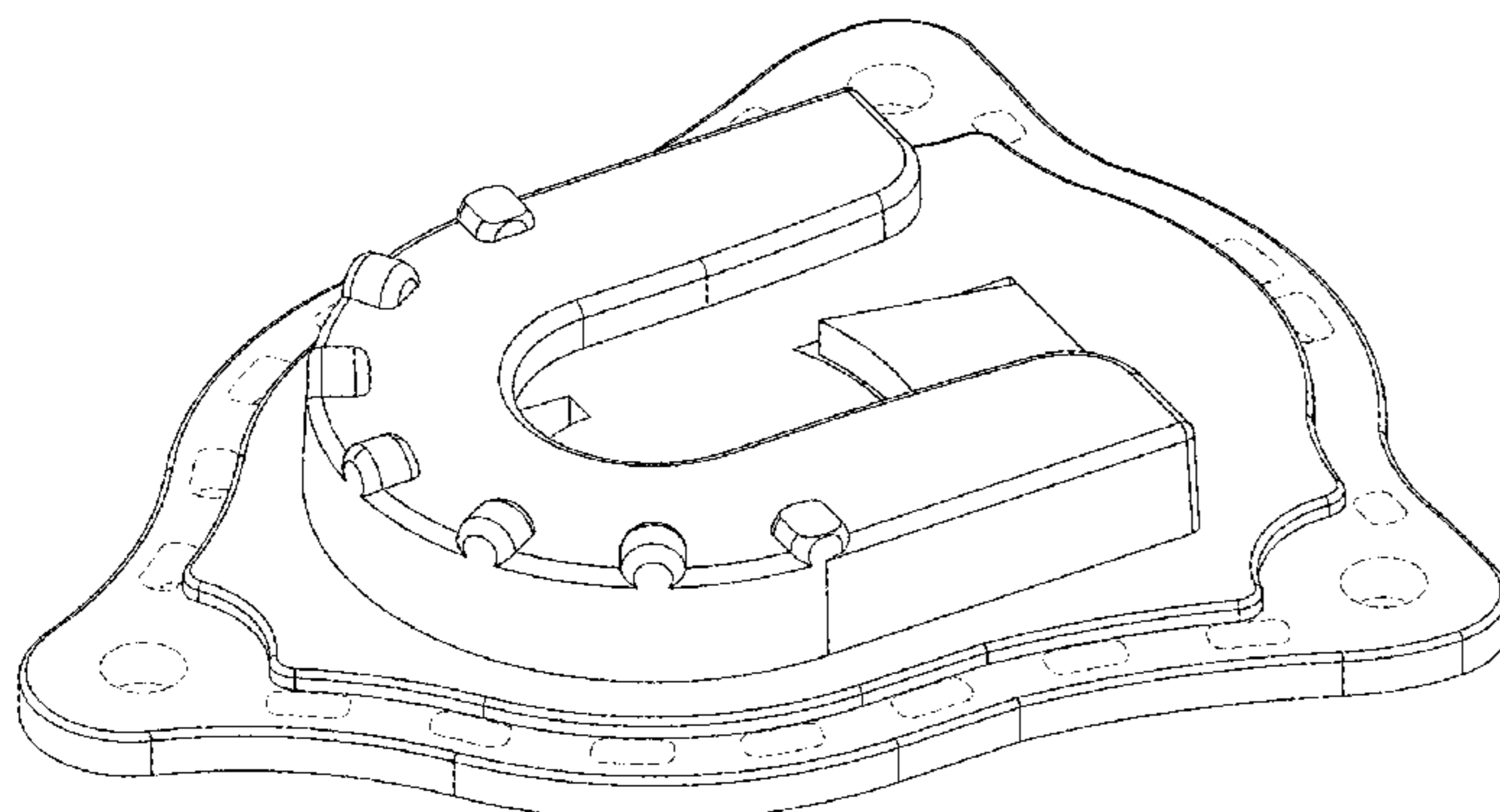
The ornamental design for a hanger and support set, as shown and described.

DESCRIPTION

FIG. 1 is a perspective view of the hanger component showing my new design;
FIG. 2 is a right side view thereof;
FIG. 3 is a left side view thereof;
FIG. 4 is a top side view thereof;
FIG. 5 is a bottom side view thereof;
FIG. 6 is a front side view thereof;
FIG. 7 is a back side view thereof;
FIG. 8 is a second perspective view thereof; and
FIG. 9 is a third perspective view thereof.
FIG. 10 is perspective view of the support component showing my new design;
FIG. 11 is a right side view thereof;
FIG. 12 is a left side view thereof;
FIG. 13 is a top side view thereof;
FIG. 14 is a bottom side view thereof;
FIG. 15 is a front side view thereof; and,
FIG. 16 is a back side view thereof.

The broken lines shown are included for the purpose of illustrating portions of the hanger and support set that form no part of the claim.

1 Claim, 6 Drawing Sheets



(58) **Field of Classification Search**

CPC 403/553; Y10T 403/7013; Y10T 403/7018;
E02F 9/2825; E02F 9/2841

See application file for complete search history.

(56) **References Cited**

U.S. PATENT DOCUMENTS

5,201,858	A	4/1993	Otrusina	
5,620,120	A	4/1997	Tien	
5,850,954	A	12/1998	Dong-Joo	
6,059,156	A *	5/2000	Lehtinen	A45F 5/02 224/197
6,161,741	A *	12/2000	French	F41C 33/0227 224/192
6,438,808	B1	8/2002	Kung	
6,484,918	B1 *	11/2002	Lefebvre	A45F 5/02 181/131
6,520,863	B2 *	2/2003	Porper	A63D 15/16 224/183
D484,778	S *	1/2004	French	D8/373
6,752,299	B2	6/2004	Shetler et al.	
6,955,280	B2	10/2005	Saitoh et al.	
7,857,178	B2 *	12/2010	Brown, Jr.	B60R 11/0247 224/483
D686,409	S *	7/2013	Pearce	D3/218
D874,253	S *	2/2020	Eremita	D8/394
2003/0098323	A1 *	5/2003	Taylor	A45F 5/02 224/197
2013/0168429	A1 *	7/2013	Pearce	A45F 5/021 224/676
2016/0051039	A1 *	2/2016	Merzon	A45F 5/021 224/269

FOREIGN PATENT DOCUMENTS

DE	295 09 559	U1	10/1995
EM	0 683 587	A1	11/1995
JP	10179233		7/1998
JP	D1648708	*	4/2019
JP	D1674540	*	7/2020
KR	300660051.0000	*	9/2012
KR	301005686.0000	*	9/2018

OTHER PUBLICATIONS

Cellet Swivel, Piece Belt Clip, Date first available Jan. 16, 2018, [online]retrieved May 12, 2021,available fromhttps://www.amazon.com/Cellet-Swivel-Compatible-Walkie-Talkie-Samsung/dp/B0792MVJ3L/ref=pd_sbs_4?pd_rd_w=z7tFu&pf_rd_p=98101395-b70f-4a52-af63-8fac2c513e02&pf_rd_r=ADWW5EN80RH0AHKPV3Q2&pd (Year: 2018).*

Motorola Store, D clip, Date first available Jan. 28, 2015, [online]retrieved May 12, 2021,available from<https://www.amazon.com/Motorola-NTN9179A-NTN9213A-NTN9212A-NNTN4436AR/dp/B00SVK7GEY> (Year: 2015).*

English Abstract of JP10179233 obtained from the European Patent Office (patent translate) on Apr. 26, 2019.

English translation of DE 295 09 559 U1 (machine translation obtained from the European Patent Office on May 3, 2019.

* cited by examiner

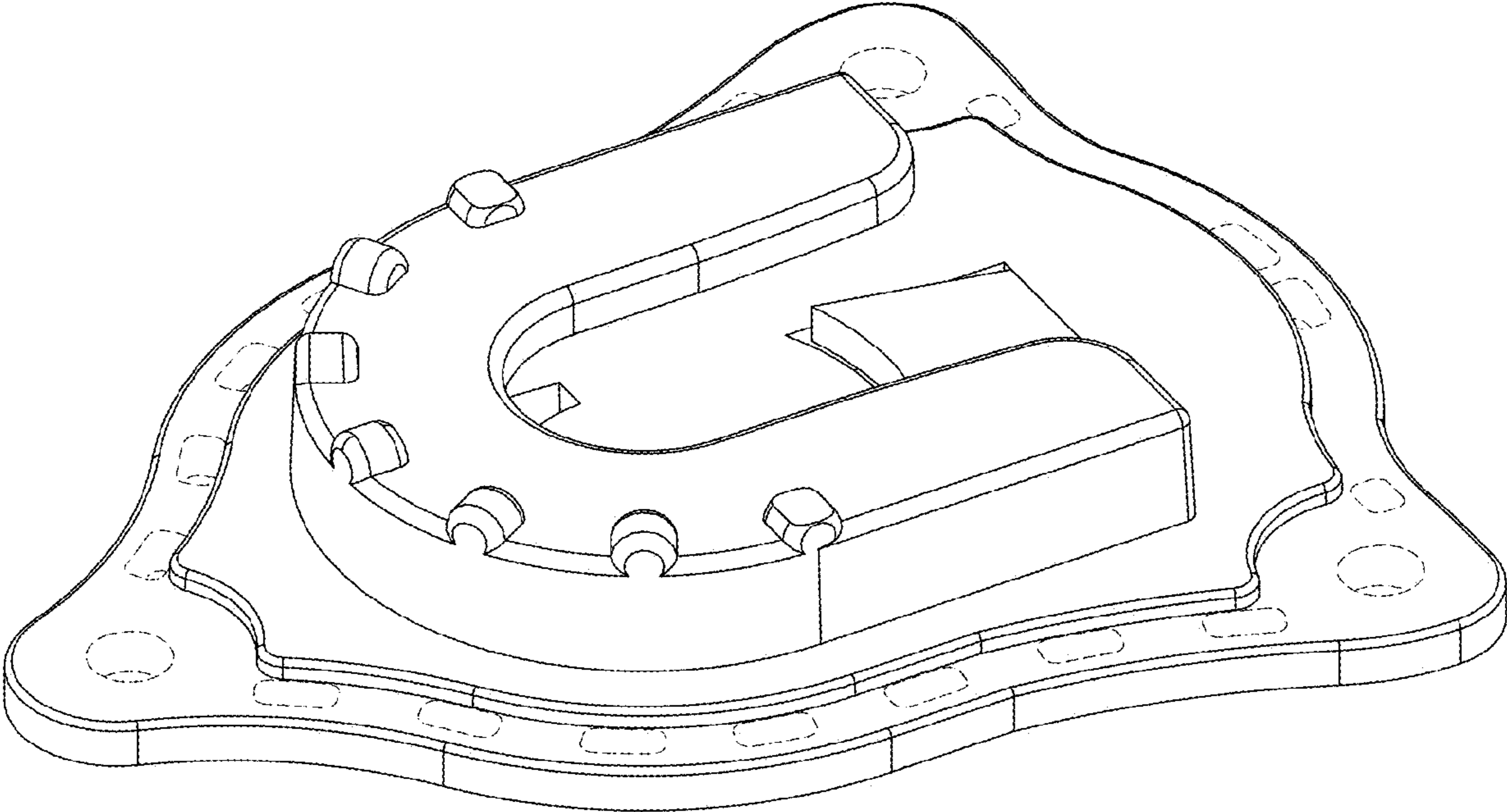


Fig. 1

Fig. 2

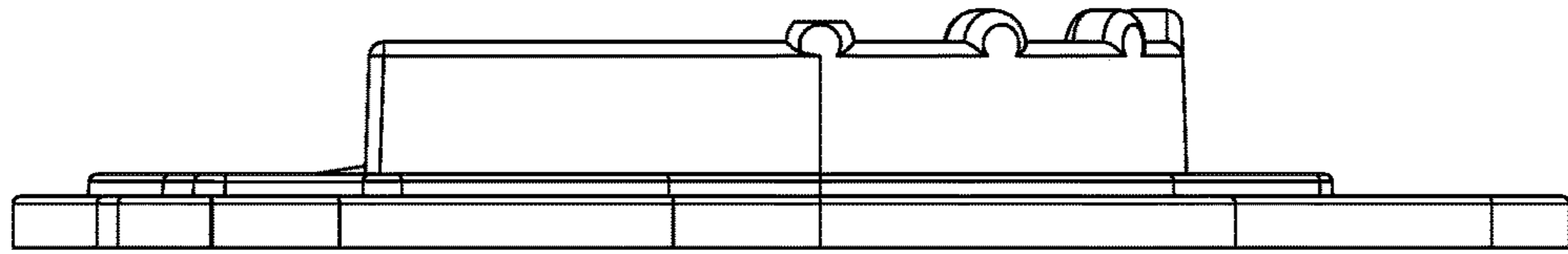


Fig. 3

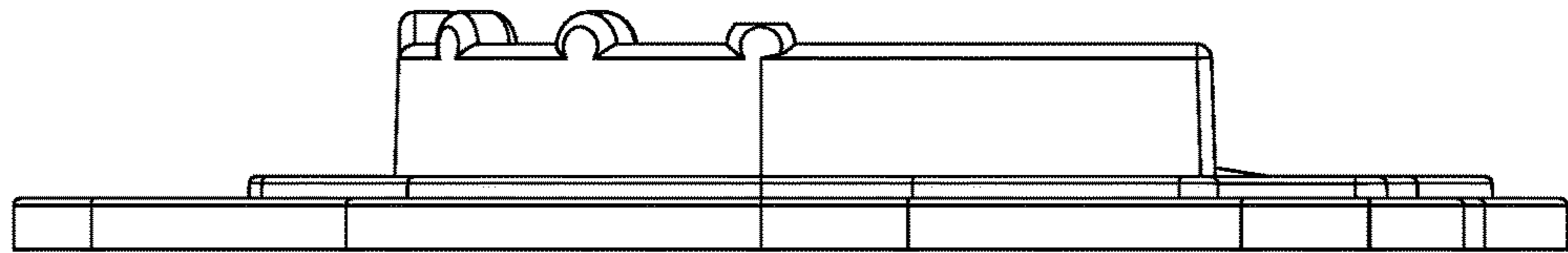


Fig. 4

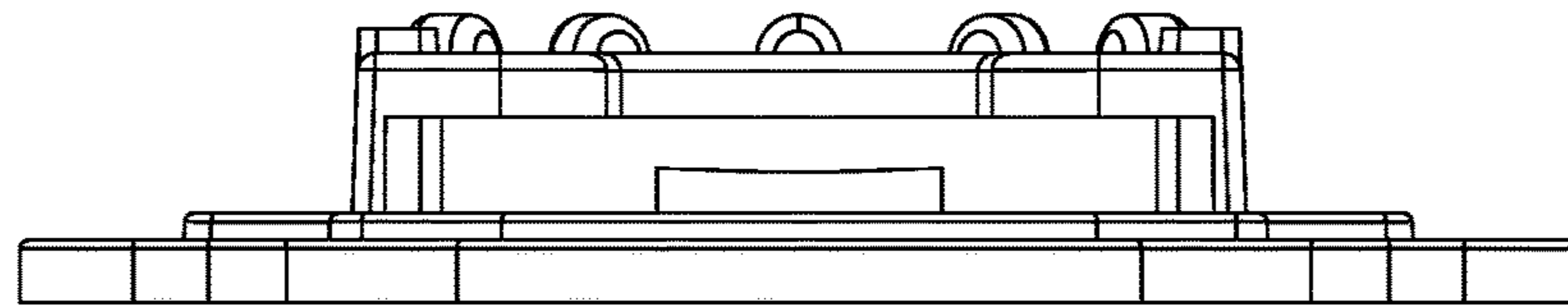


Fig. 5

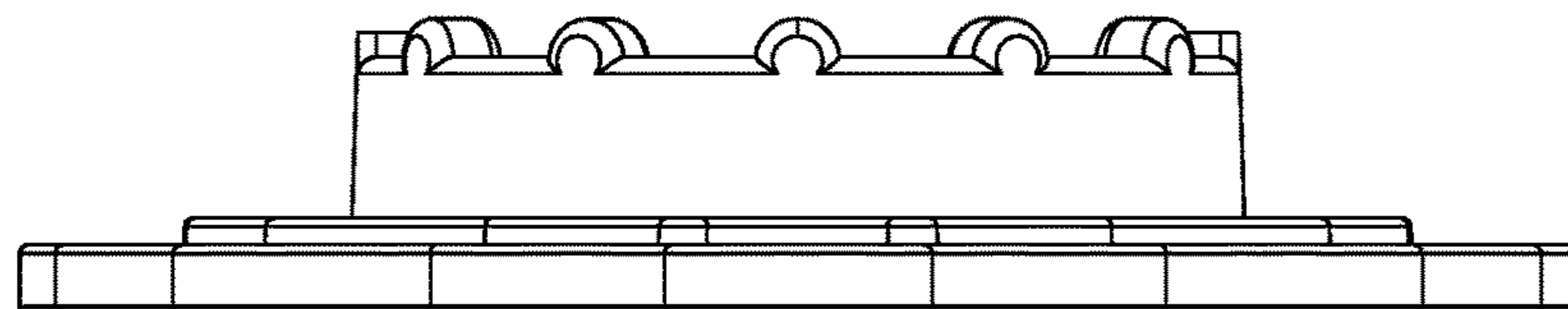


Fig. 6

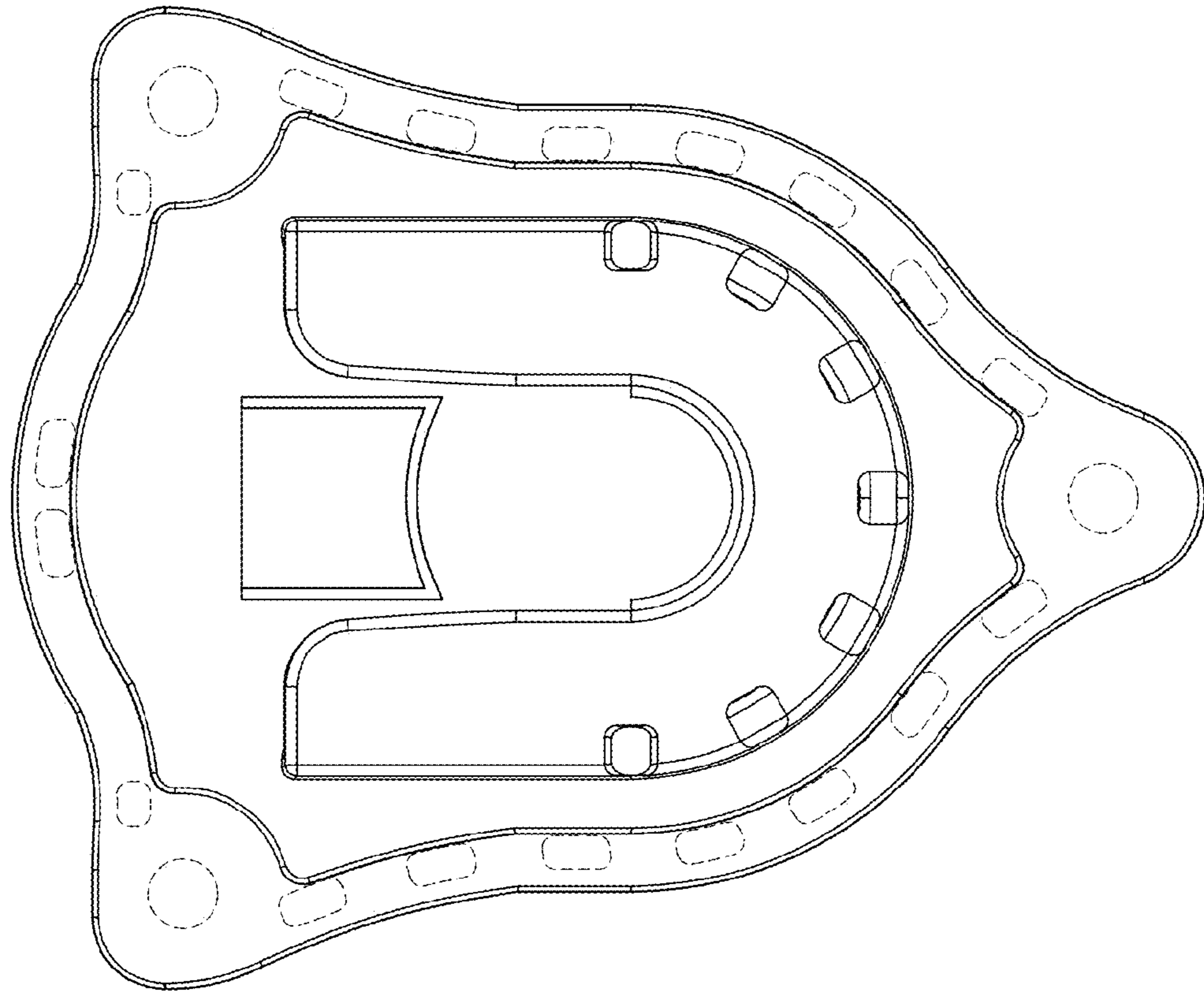
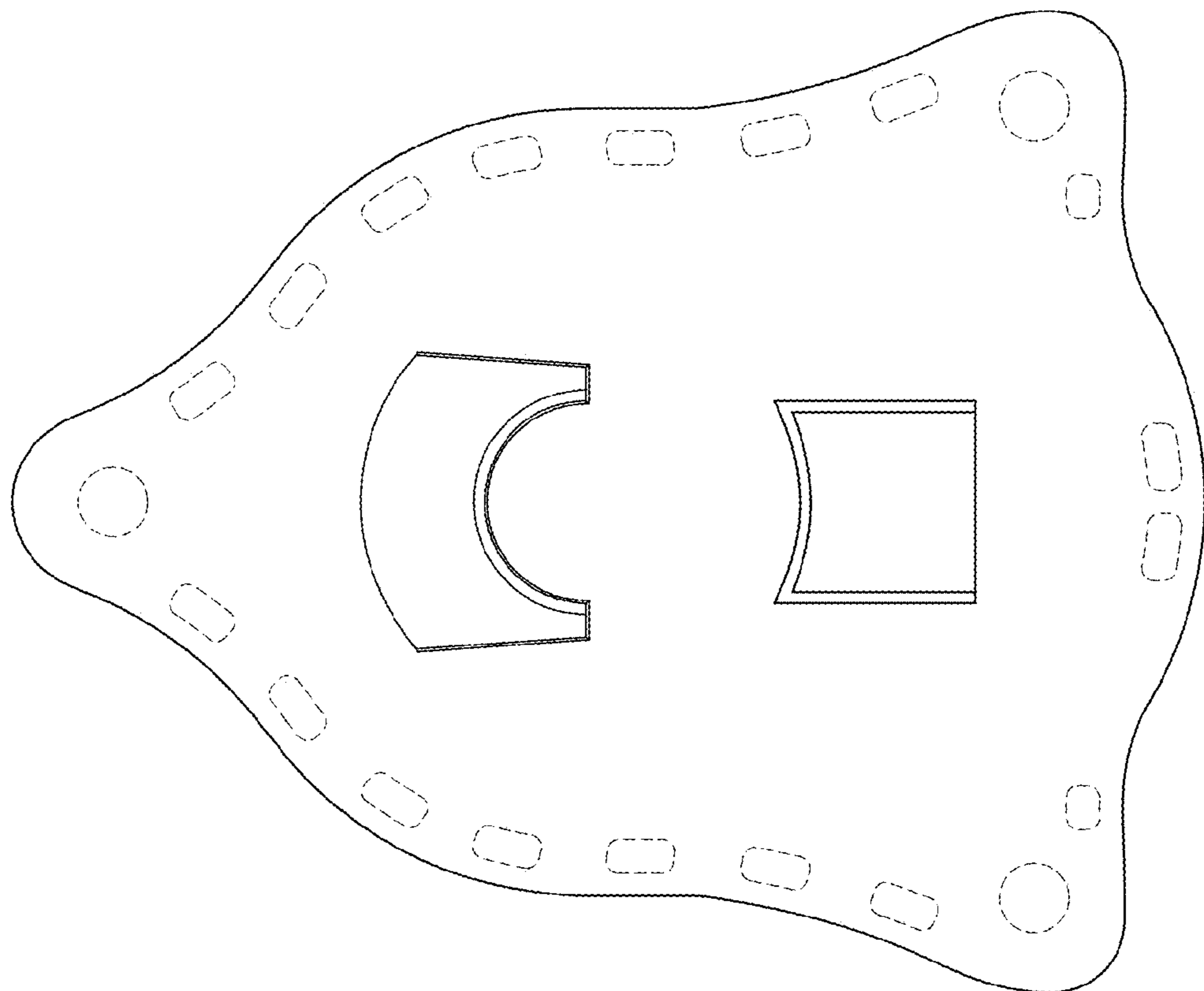


Fig. 7



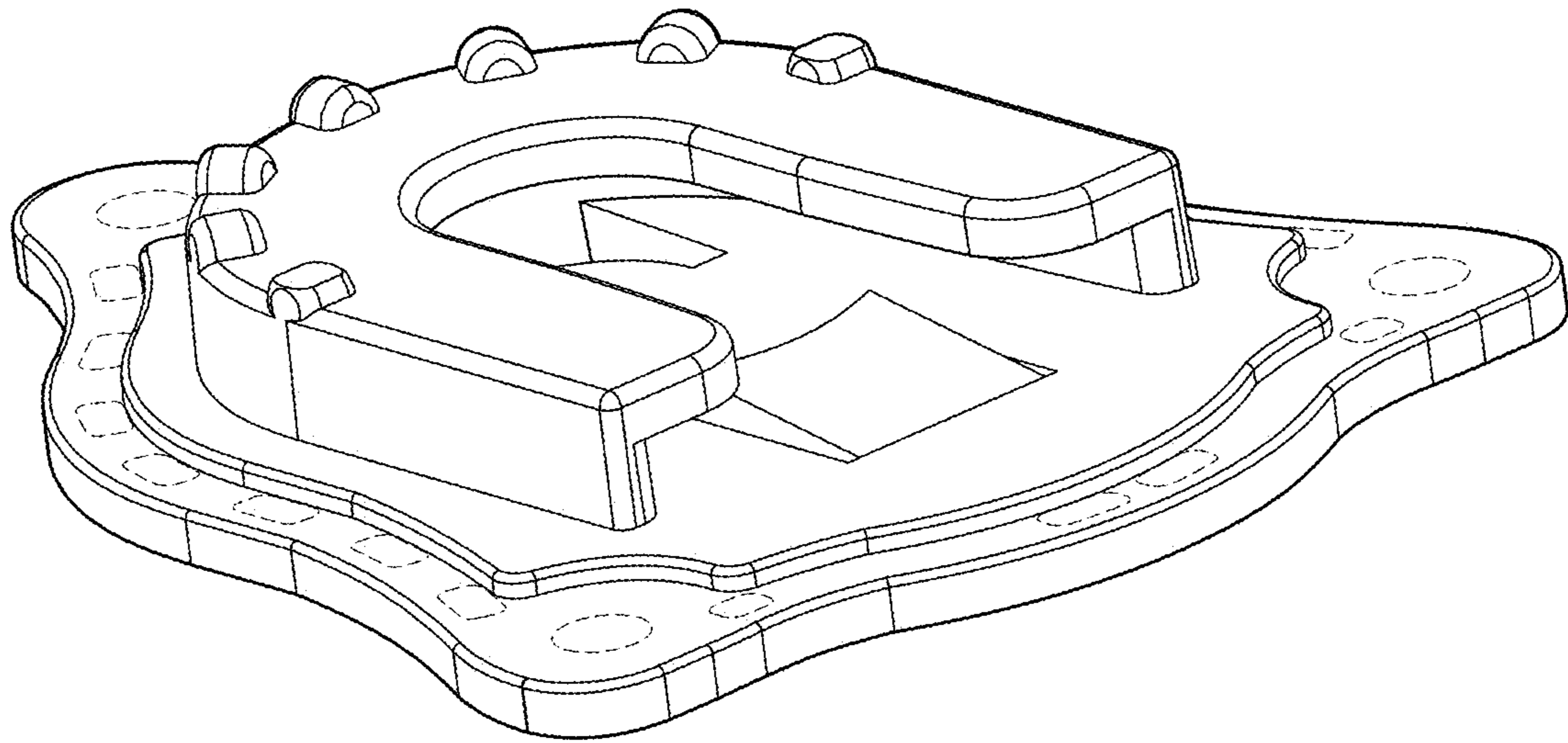


Fig. 8

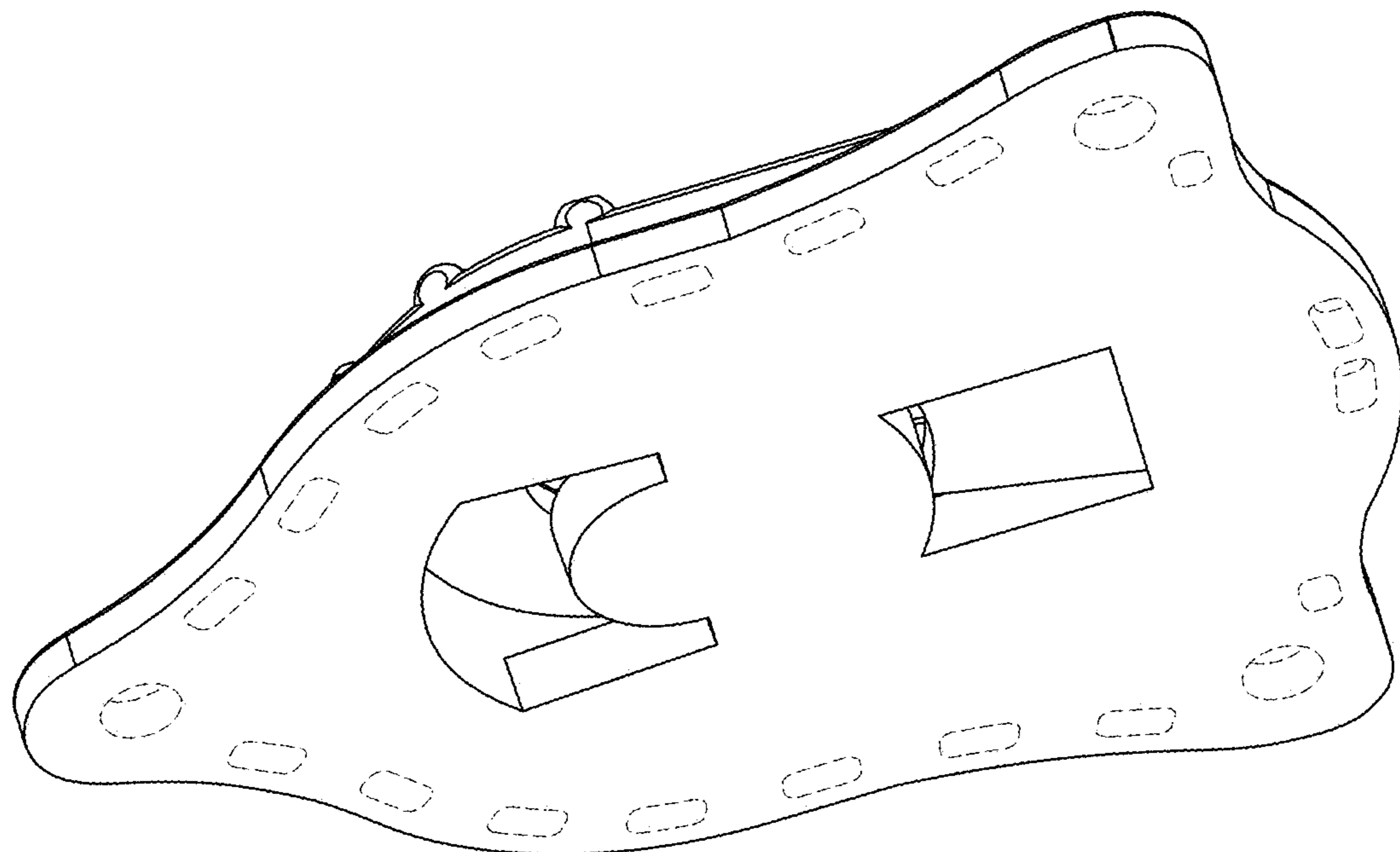


Fig. 9

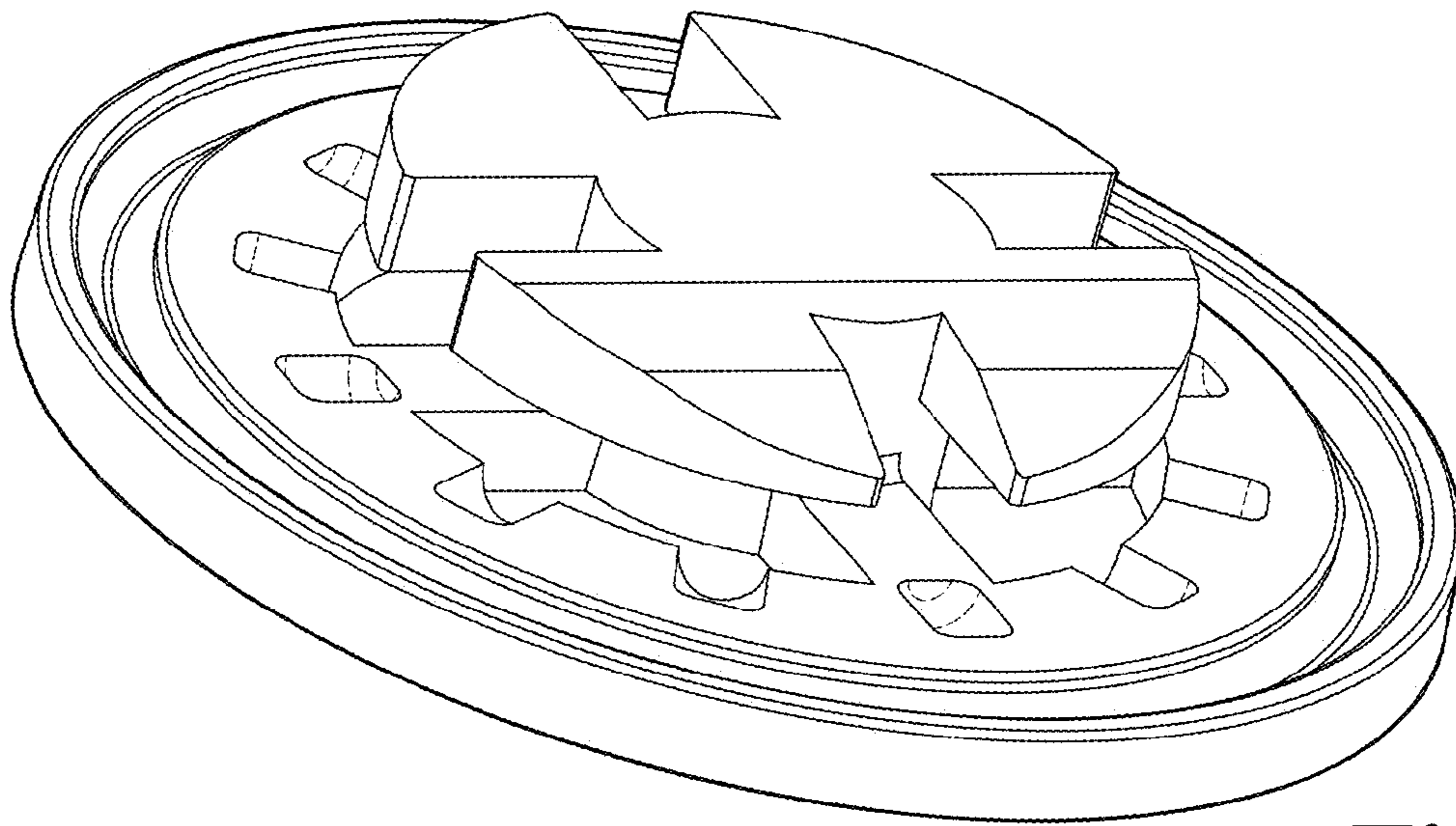


Fig. 10

Fig. 11

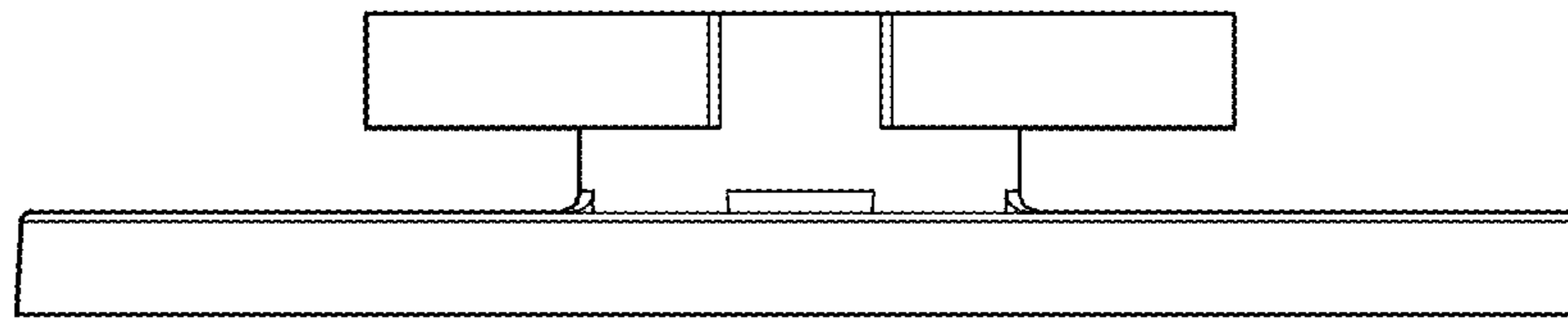


Fig. 12

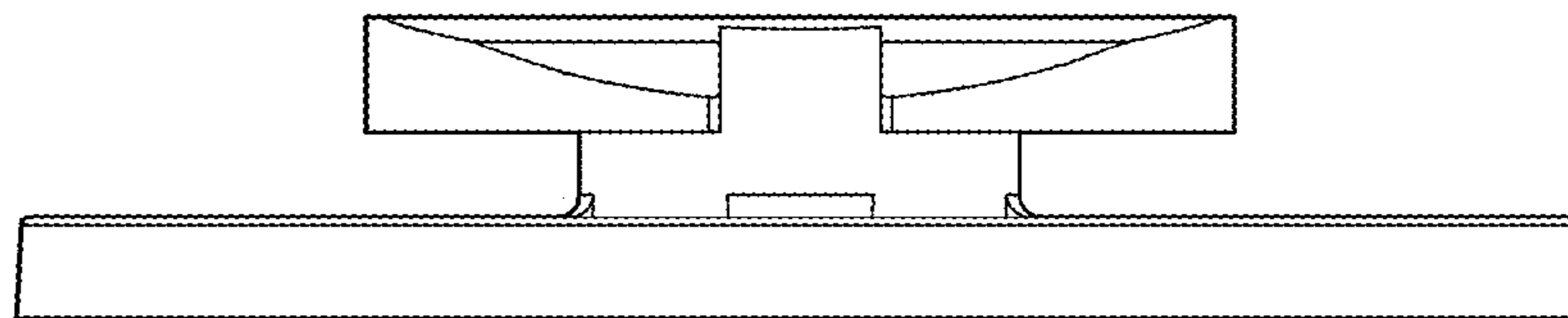


Fig. 13

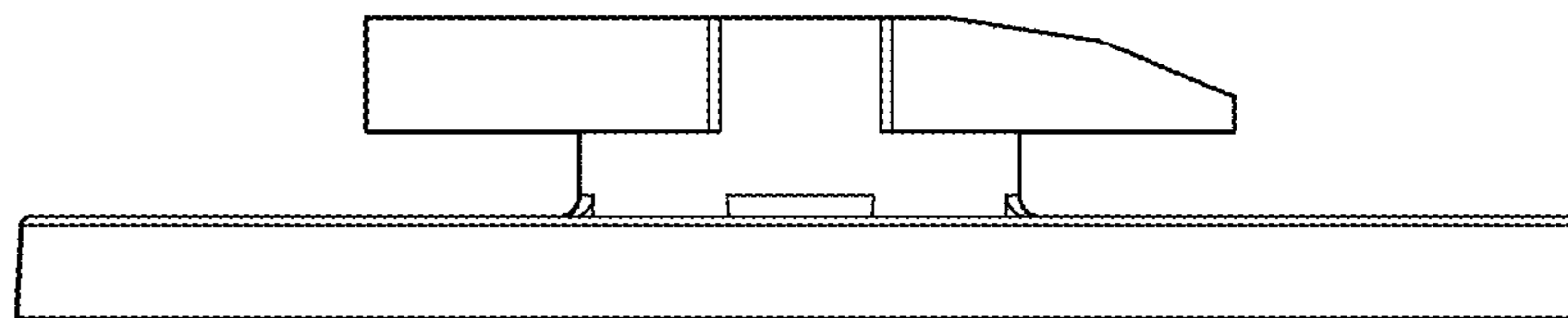
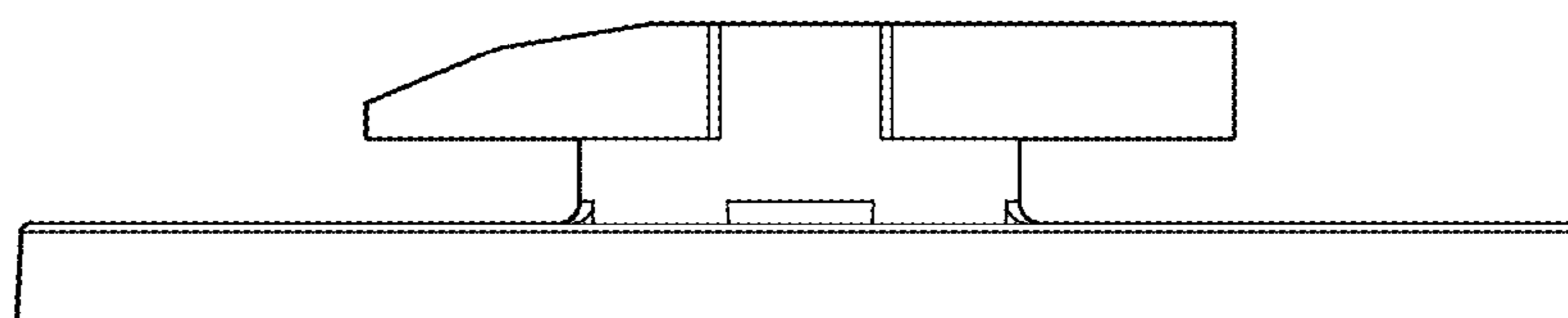


Fig. 14



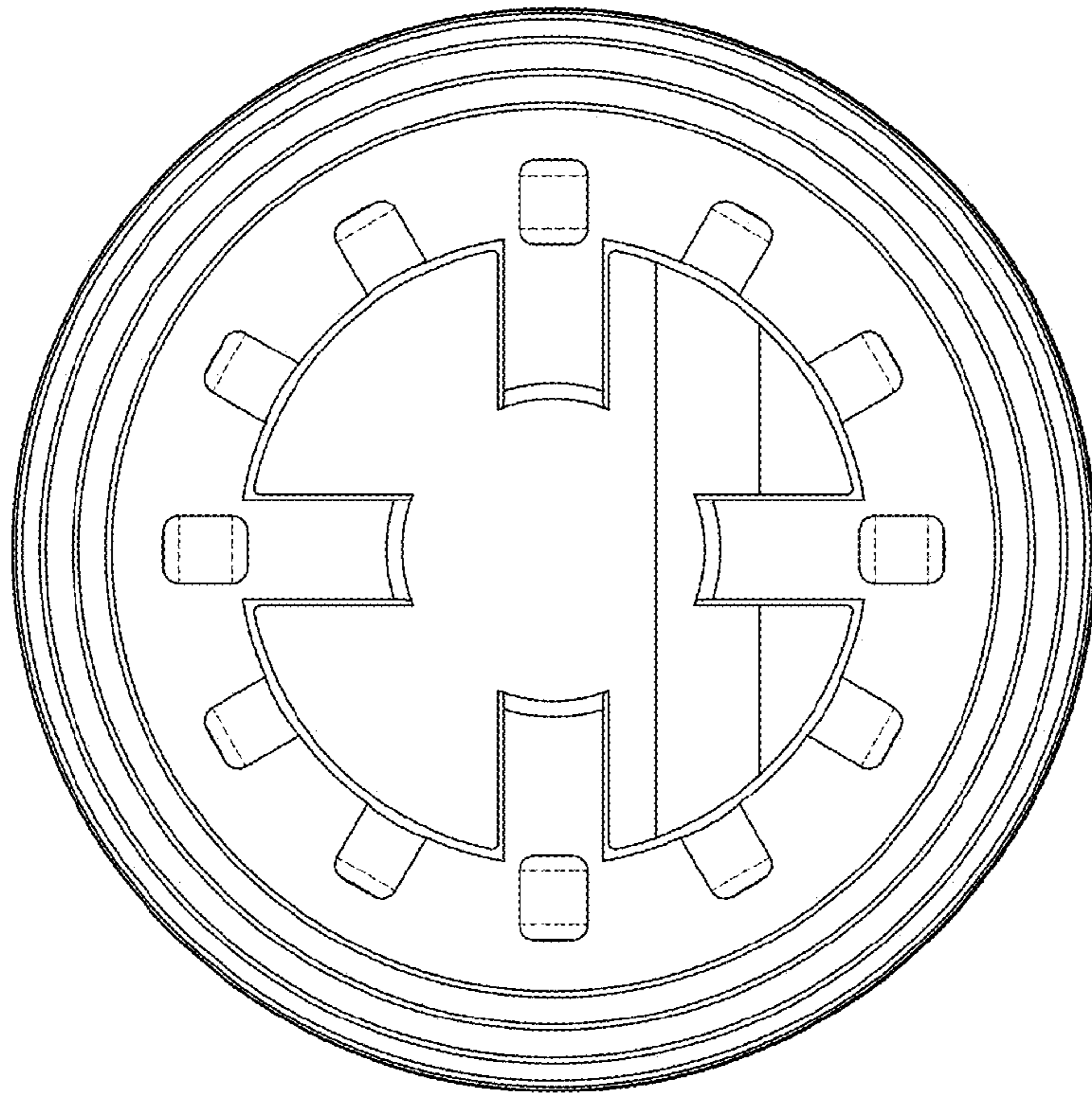


Fig. 15

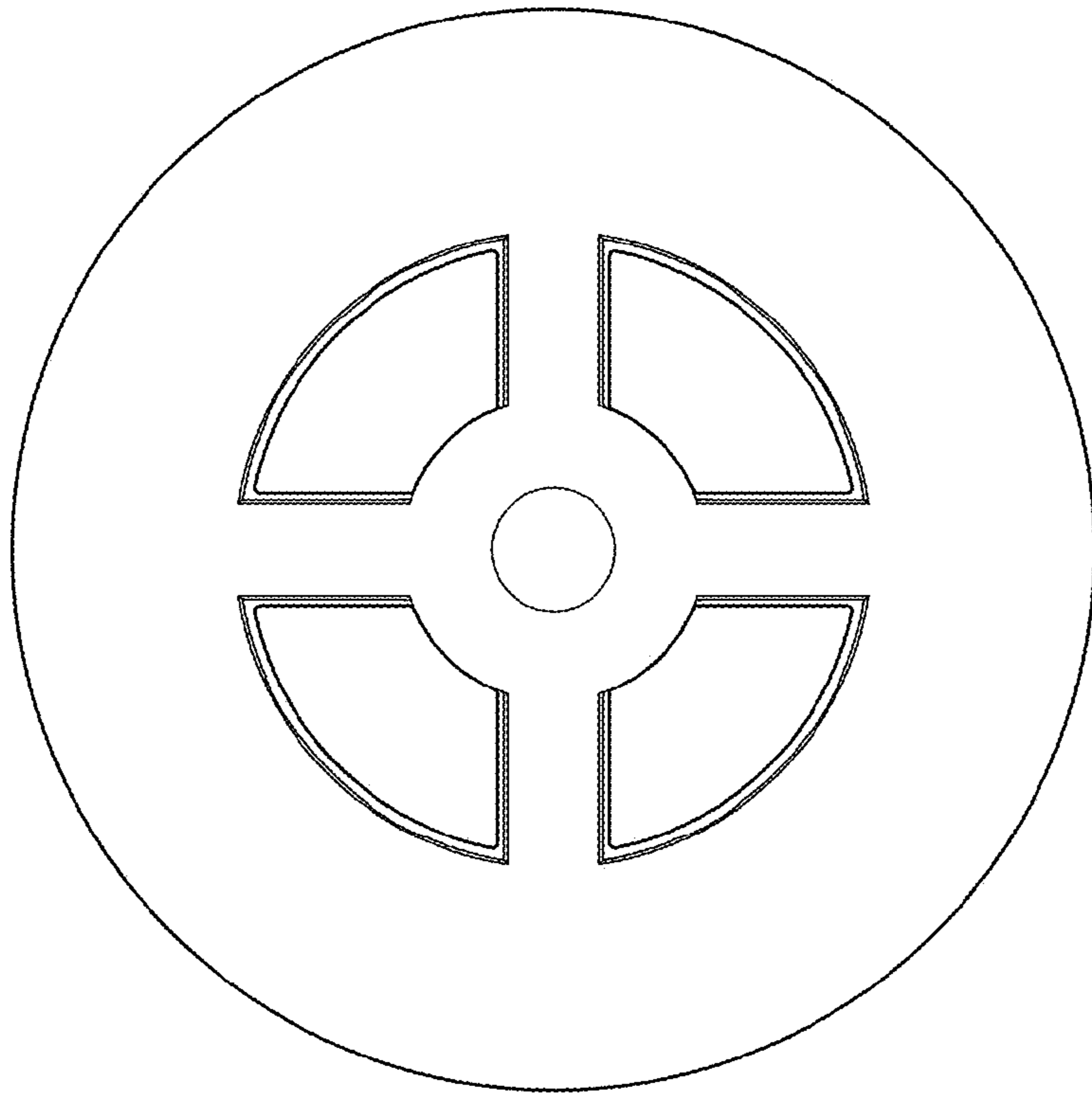


Fig. 16