



US00D927953S

(12) **United States Design Patent**
Myerson

(10) **Patent No.:** **US D927,953 S**

(45) **Date of Patent:** **** Aug. 17, 2021**

(54) **SCOOP HOLDER BASE**

(71) Applicant: **Maurice Myerson**, Atlanta, GA (US)

(72) Inventor: **Maurice Myerson**, Atlanta, GA (US)

(**) Term: **15 Years**

(21) Appl. No.: **29/641,007**

(22) Filed: **Mar. 19, 2018**

(51) **LOC (13) Cl.** **08-05**

(52) **U.S. Cl.**

USPC **D8/71**

(58) **Field of Classification Search**

USPC D30/162, 161, 199; D9/424, 425, 432,
D9/430; D6/513; D8/13, 10, 71;
D7/637

CPC A01K 1/0114; A01K 1/01; A01K 1/011;
A01K 1/0128; A01K 1/0132; E01H 1/12;
E01H 1/1206; E01H 2001/122; E01H
2001/1226; E01H 2001/1233; E01H
2001/1246; E01H 2001/126; E01H
2001/1266

See application file for complete search history.

(56) **References Cited**

U.S. PATENT DOCUMENTS

6,578,807 B1 * 6/2003 Lipscomb A01K 1/0114
248/314
6,824,114 B1 * 11/2004 VanSkiver A01K 1/0114
248/220.21

D807,664 S * 1/2018 Cohen D6/536
D826,714 S * 8/2018 Pipes D9/456
D854,325 S * 7/2019 Myerson D3/304
D894,730 S * 9/2020 Watson D9/425

* cited by examiner

Primary Examiner — Keli L Hill

Assistant Examiner — Harold E Blackwell, II

(74) *Attorney, Agent, or Firm* — Walter A. Rodgers

(57) **CLAIM**

The ornamental design for a scoop holder base, as shown and described.

DESCRIPTION

FIG. 1 is a perspective view of a scoop holder base showing my new design;

FIG. 2 is a top plan view thereof;

FIG. 3 is a bottom plan view thereof;

FIG. 4 is a front elevation view thereof, the rear being the same in appearance;

FIG. 5 is a left-side elevation view thereof;

FIG. 6 is a right-side elevation view thereof;

FIG. 7 is perspective view of a second embodiment of FIG. 1, the only difference being the configuration of the interior of the base, it being understood that all other surfaces are the same as those of the first embodiment; and,

FIG. 8 is a perspective view of a third embodiment of FIG. 1, the only difference being the configuration of the interior of the base, it being understood that all other surfaces are the same as those of the first embodiment.

1 Claim, 4 Drawing Sheets

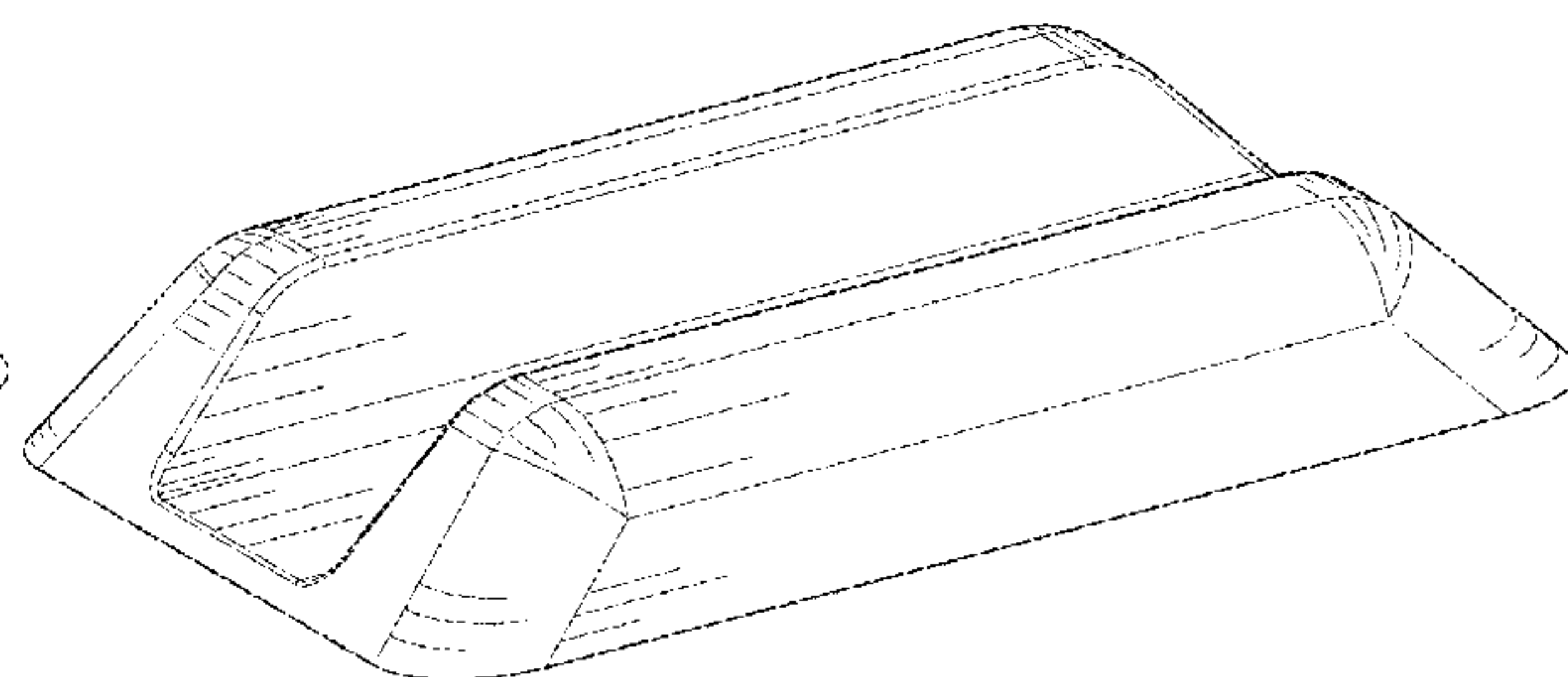
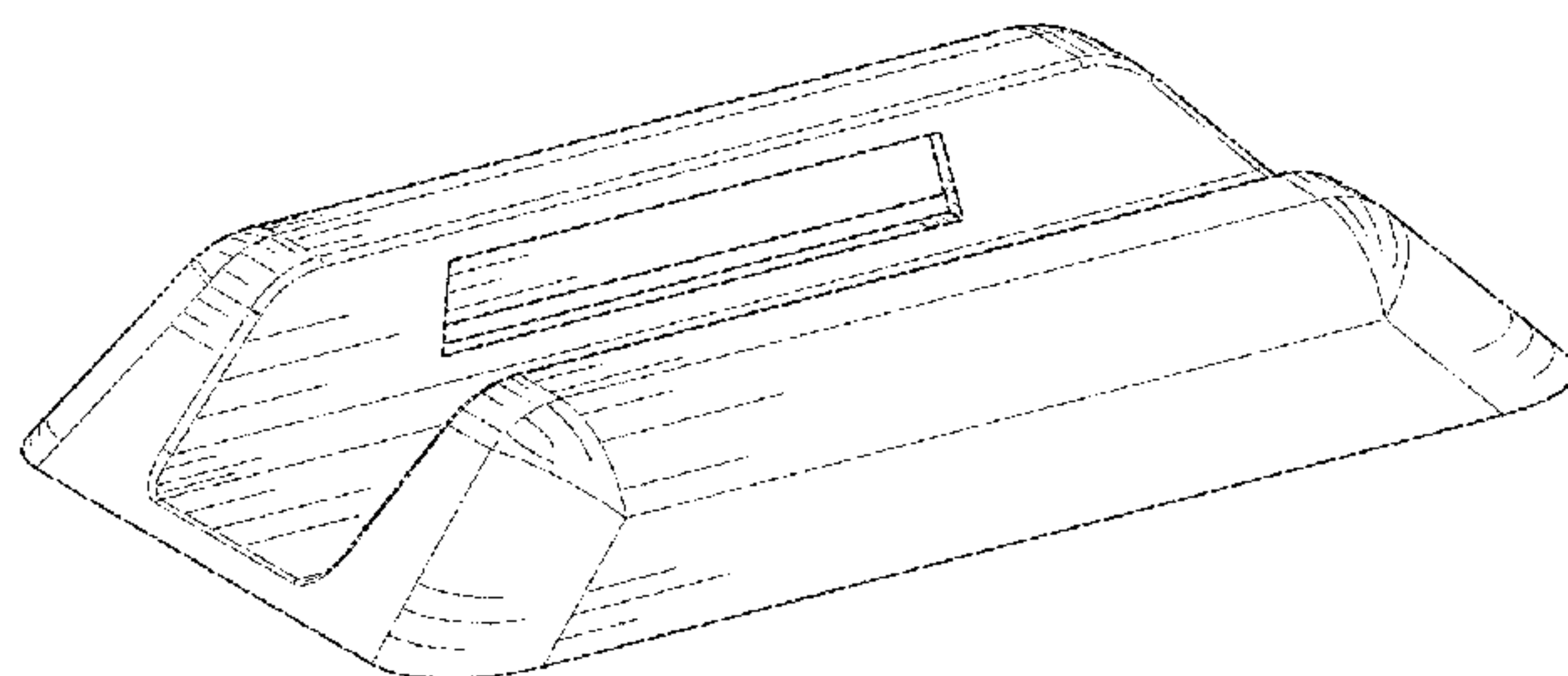
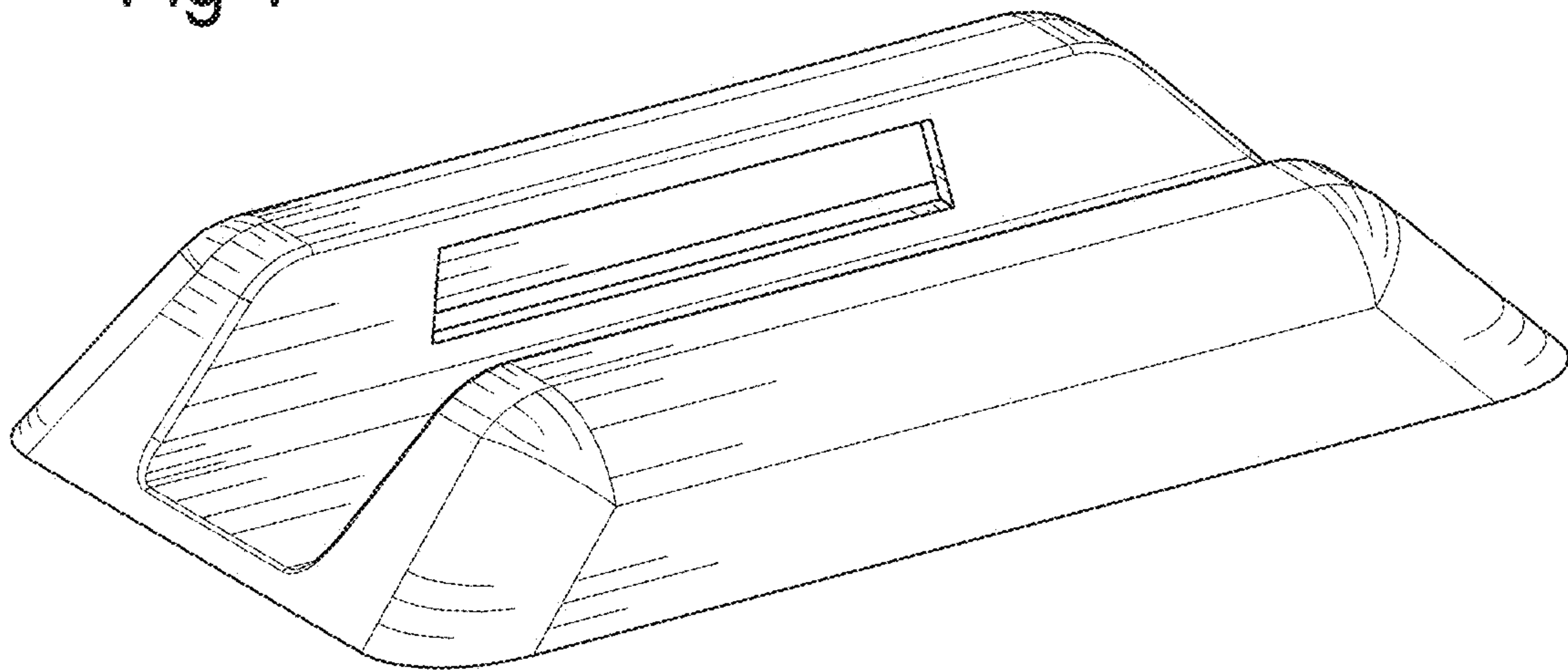


Fig 1



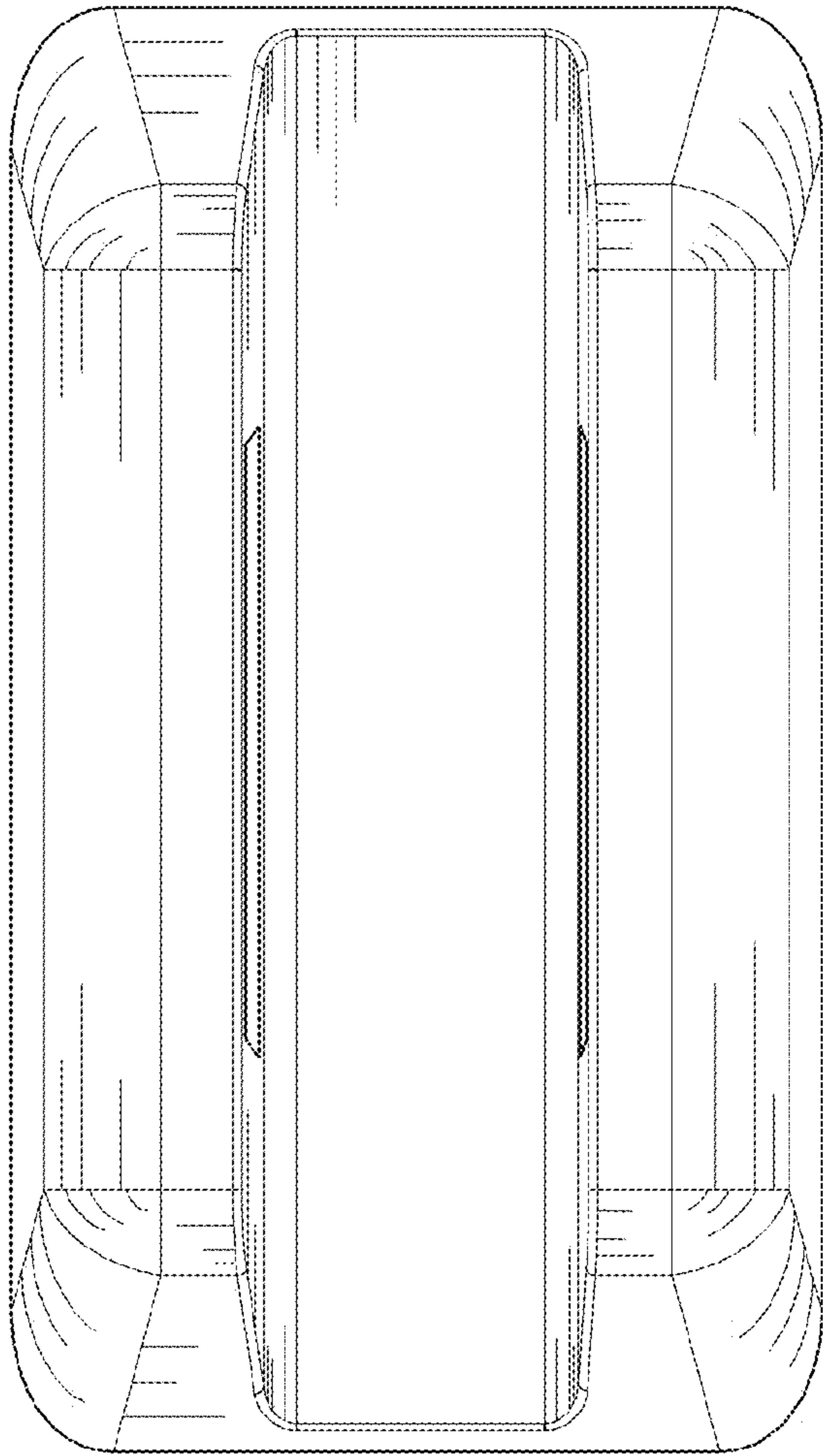


Fig 2

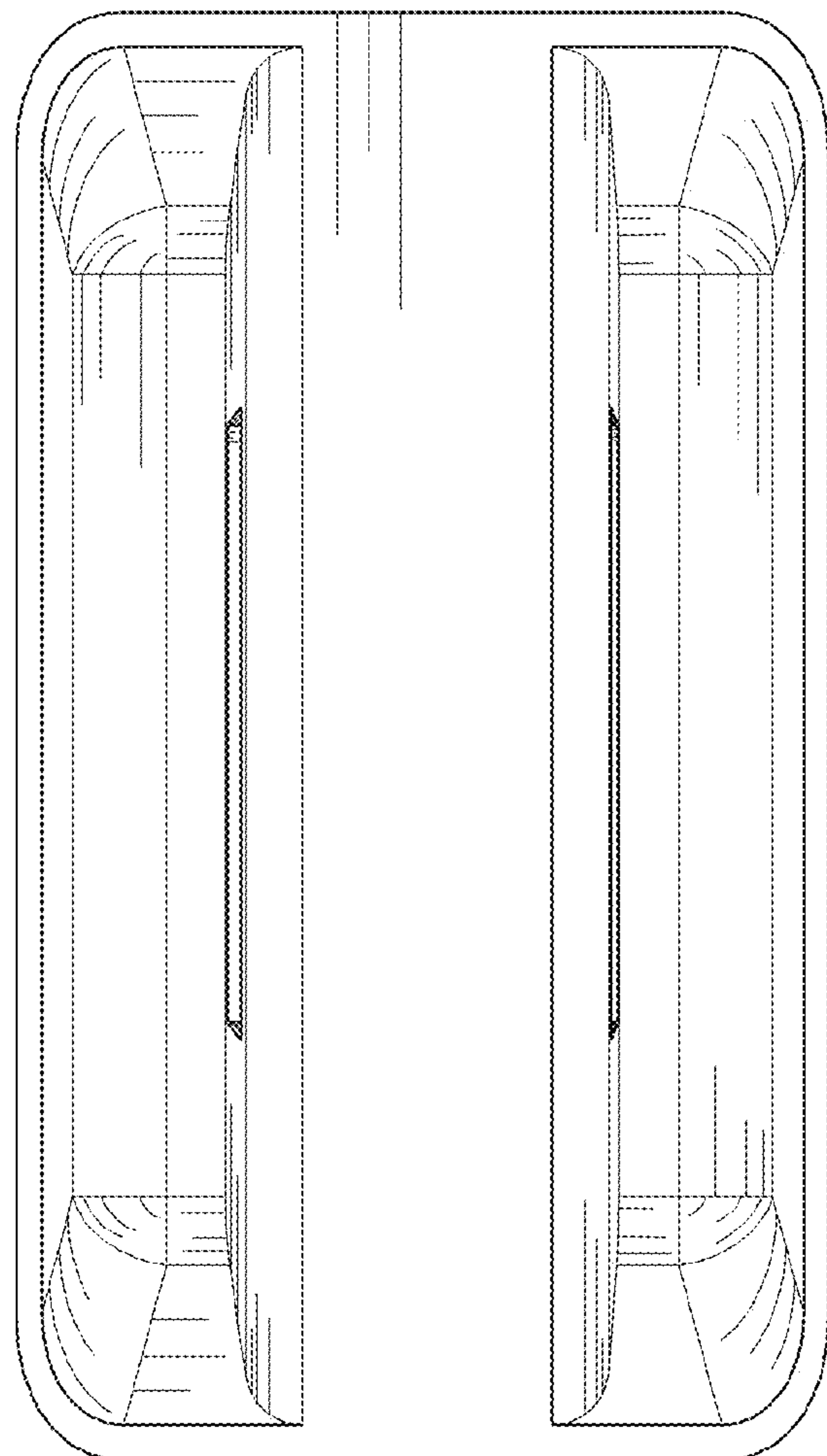


Fig 3

Fig 4

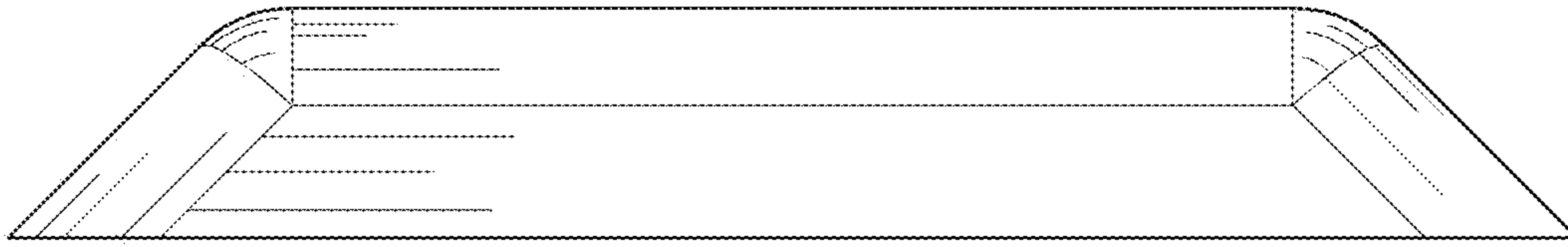


Fig 5

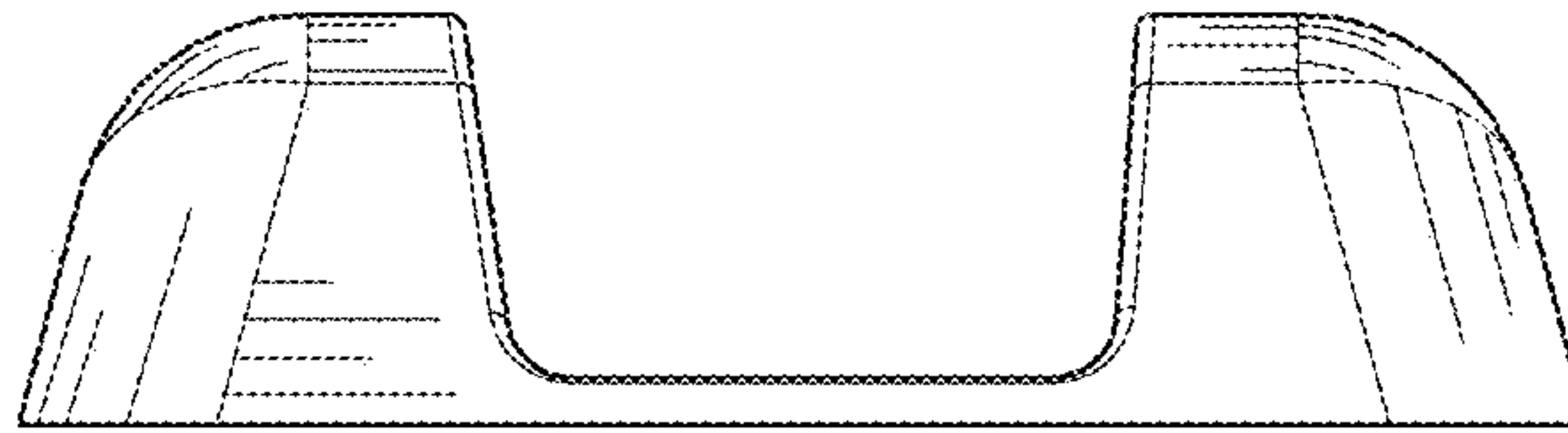


Fig 6



Fig 7

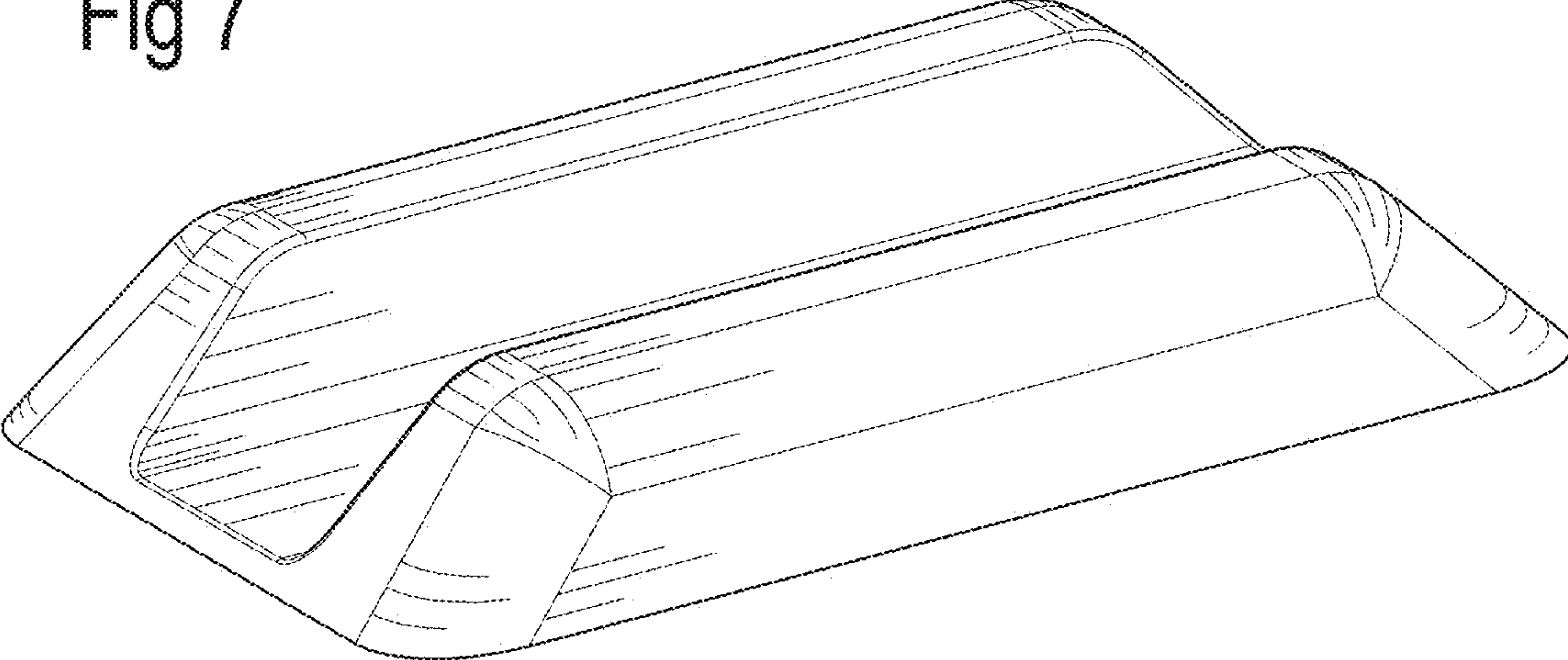


Fig 8

