



US00D927951S

(12) **United States Design Patent**
Haringer

(10) **Patent No.:** **US D927,951 S**

(45) **Date of Patent:** **** Aug. 17, 2021**

- (54) **SCREWDRIVER HANDLE**
- (71) Applicant: **Wiha Werkzeuge GmbH**, Schonach (DE)
- (72) Inventor: **Stefan Haringer**, Winden (DE)
- (73) Assignee: **Wiha Werkzeuge GmbH**, Schonach (DE)
- (**) Term: **15 Years**
- (21) Appl. No.: **29/724,907**
- (22) Filed: **Feb. 20, 2020**
- (30) **Foreign Application Priority Data**
Aug. 29, 2019 (CN) 201930472930.0
- (51) **LOC (13) Cl.** **08-01**
- (52) **U.S. Cl.**
USPC **D8/61**
- (58) **Field of Classification Search**
USPC D8/14, 51, 61, 62, 82, 83, 84, 85, 107
CPC B25B 21/00; B25B 21/02; B25B 21/008;
B25B 23/16; B25B 23/1405; A61B
17/1615
See application file for complete search history.

- (56) **References Cited**
U.S. PATENT DOCUMENTS
D308,543 S * 6/1990 Hunter D20/10
D322,205 S * 12/1991 Liu D8/61
D380,658 S * 7/1997 Bruno D24/146
D391,820 S * 3/1998 Bunyea D8/61
D418,729 S * 1/2000 Snider D8/61
D423,897 S * 5/2000 Cooper D8/61
6,364,033 B1 * 4/2002 Hung B25F 5/02
173/170
D467,146 S * 12/2002 Chunn D8/61

- D470,374 S * 2/2003 Murray D8/61
- D476,542 S * 7/2003 Chunn D8/61
- 6,817,424 B1 * 11/2004 Su B25F 5/02
173/216
- D526,550 S * 8/2006 Aglassinger D8/61
- D526,872 S * 8/2006 Snider D8/61
- 7,146,885 B2 * 12/2006 Hwang B25B 15/04
81/177.2
- D554,461 S * 11/2007 Kokawa D8/61
- D581,195 S * 11/2008 Wen D19/28
- D587,543 S * 3/2009 Kokawa D8/61
- D593,387 S * 6/2009 Liao D8/61
- D604,581 S * 11/2009 Edwards D8/61
- D688,109 S * 8/2013 Vanderbeek D8/61
- D689,354 S * 9/2013 Mitchell D8/61
- D775,032 S * 12/2016 Palmer D12/190
- 9,707,670 B2 * 7/2017 Hita B25F 5/00
- D865,469 S * 11/2019 Houghton D8/61
- D865,470 S * 11/2019 Houghton D8/61
- D876,193 S * 2/2020 Zhao D8/61

(Continued)

Primary Examiner — Philip S Hyder
(74) *Attorney, Agent, or Firm* — Volpe Koenig

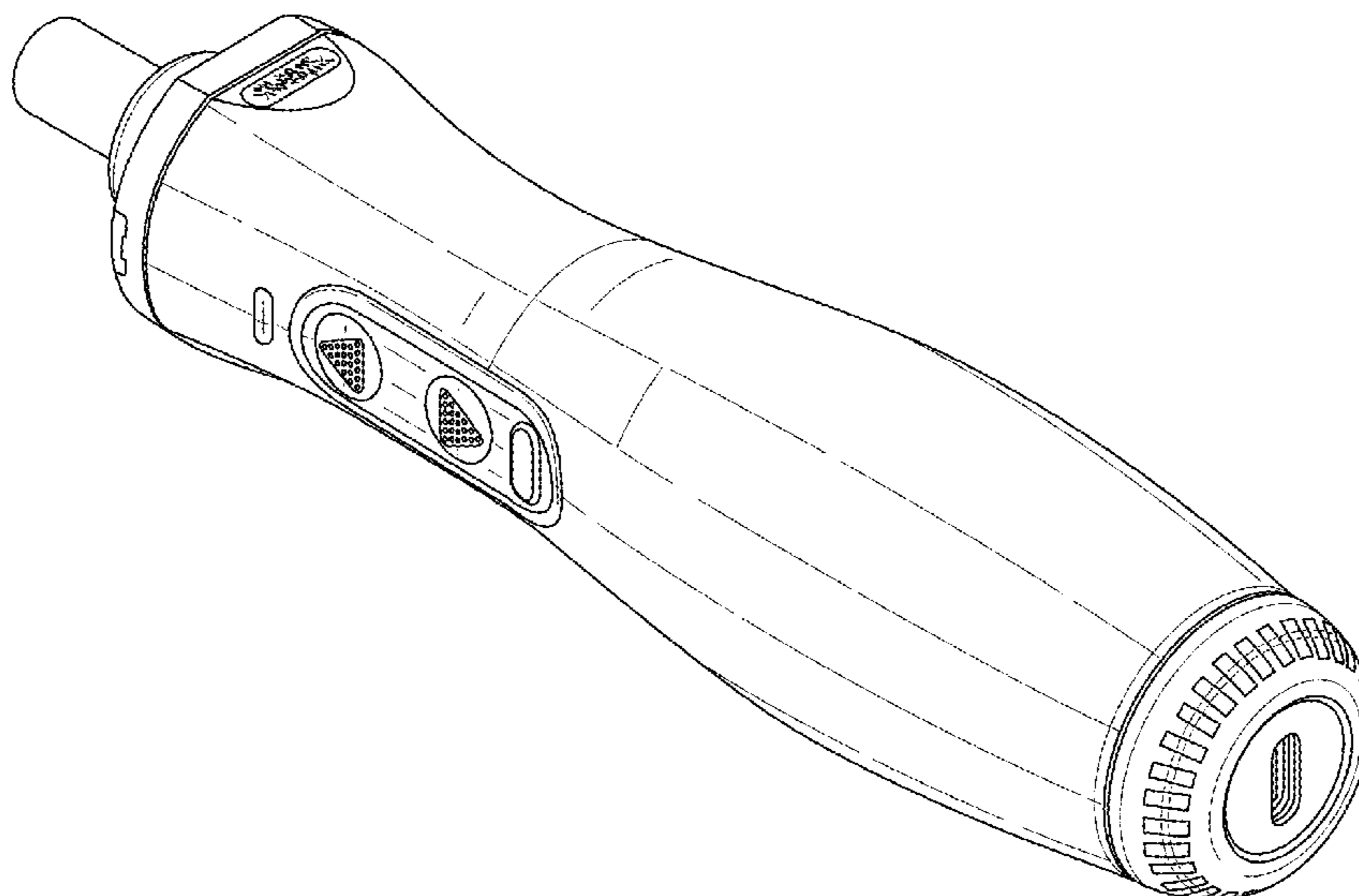
(57) **CLAIM**

The ornamental design for a screwdriver handle, as shown and described.

DESCRIPTION

FIG. 1 is a front elevational view of a screwdriver handle in accordance with my design;
FIG. 2 is a bottom plan view thereof;
FIG. 3 is a top plan thereof;
FIG. 4 is a rear elevational view thereof;
FIG. 5 is a right side elevational view thereof;
FIG. 6 is a left side elevational view thereof; and,
FIG. 7 is a perspective view thereof.
The broken lines represent portions of the screwdriver handle in which the design is embodied that form no part of the claimed design.

1 Claim, 2 Drawing Sheets



(56)

References Cited

U.S. PATENT DOCUMENTS

2003/0015066 A1* 1/2003 Chao B25B 21/00
81/57.26
2015/0336245 A1* 11/2015 Wang B25B 17/00
81/57.31

* cited by examiner

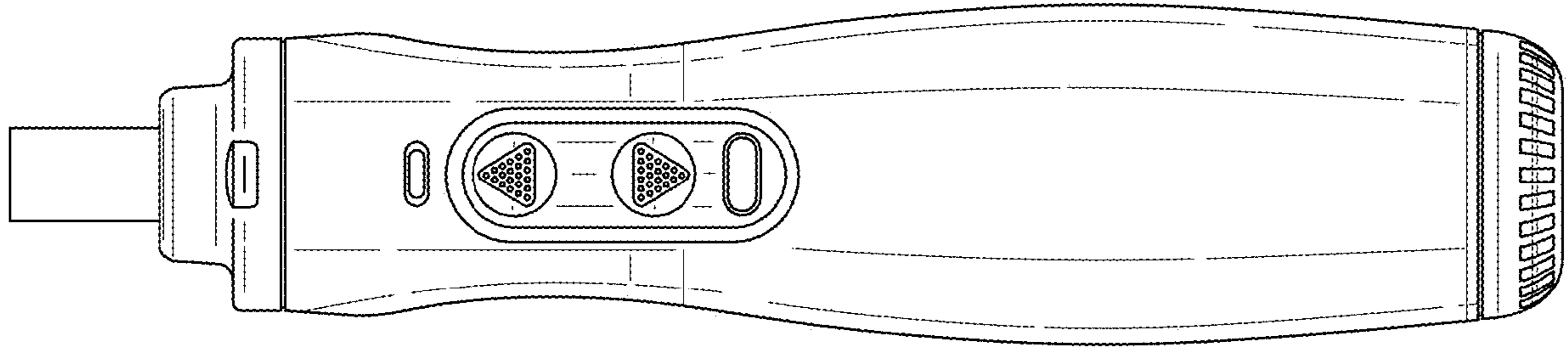


FIG. 1

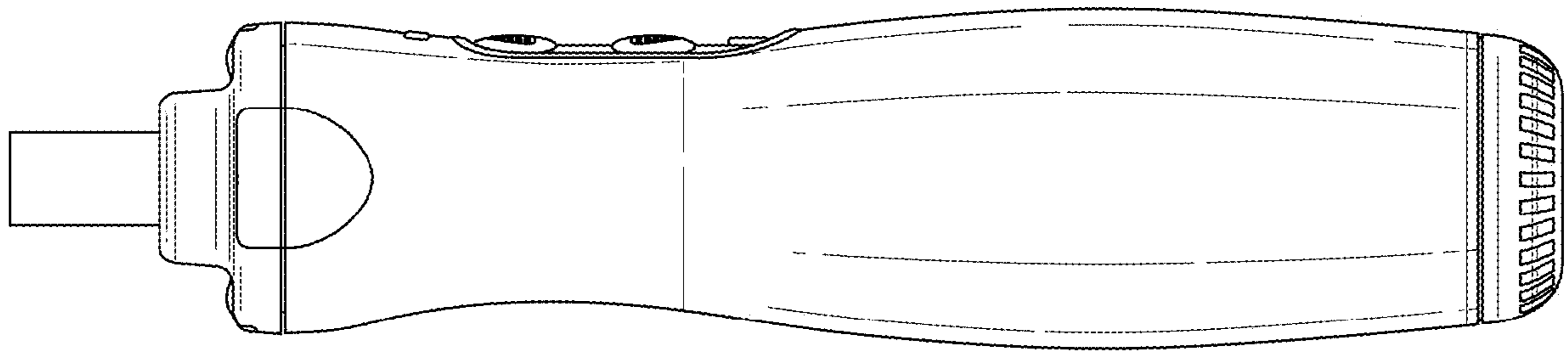


FIG. 2

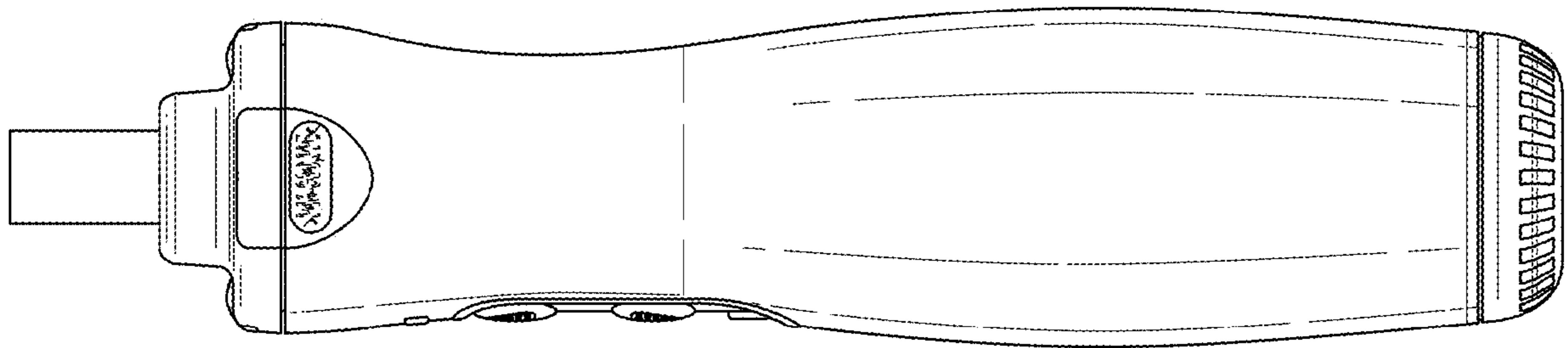


FIG. 3

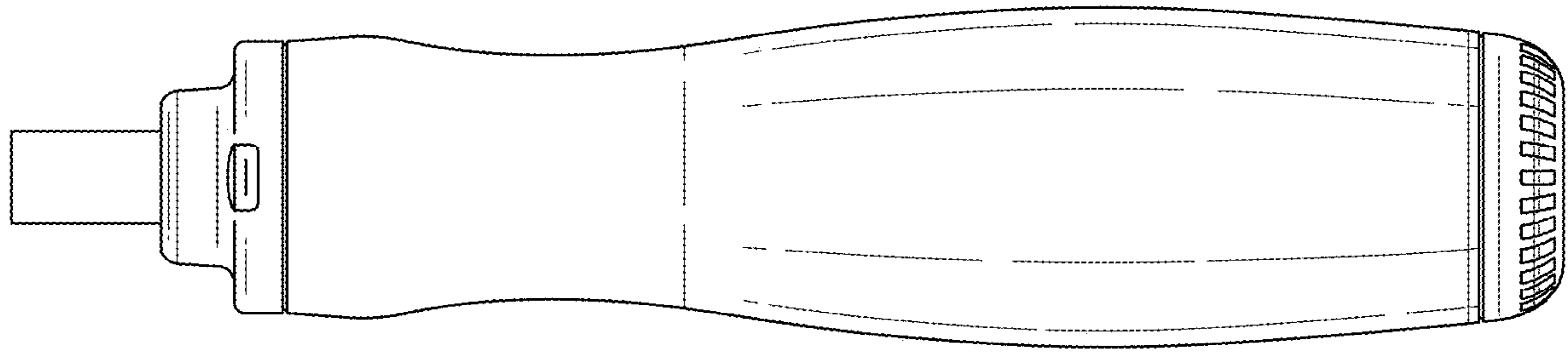


FIG. 4

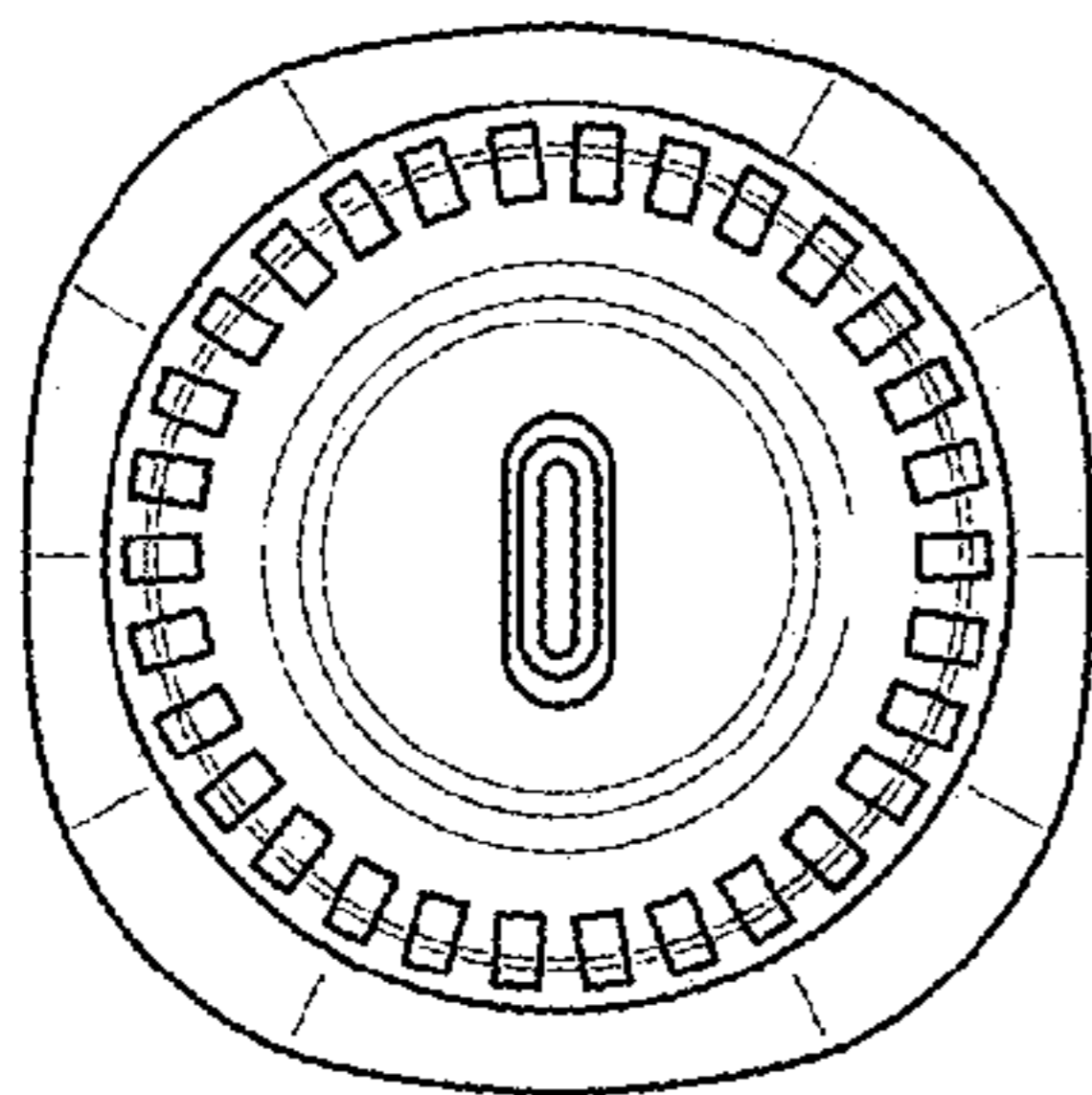


FIG. 5

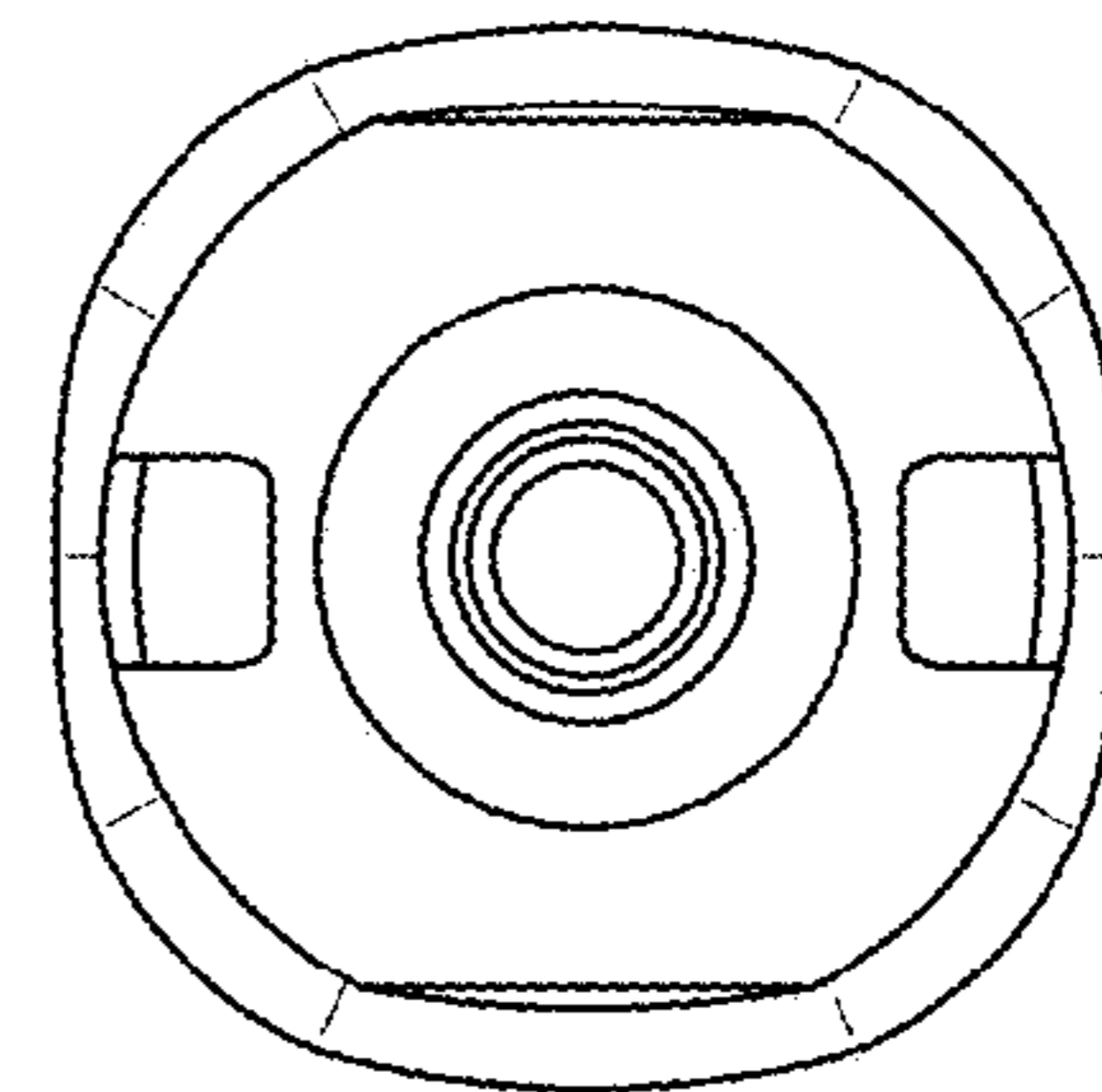


FIG. 6

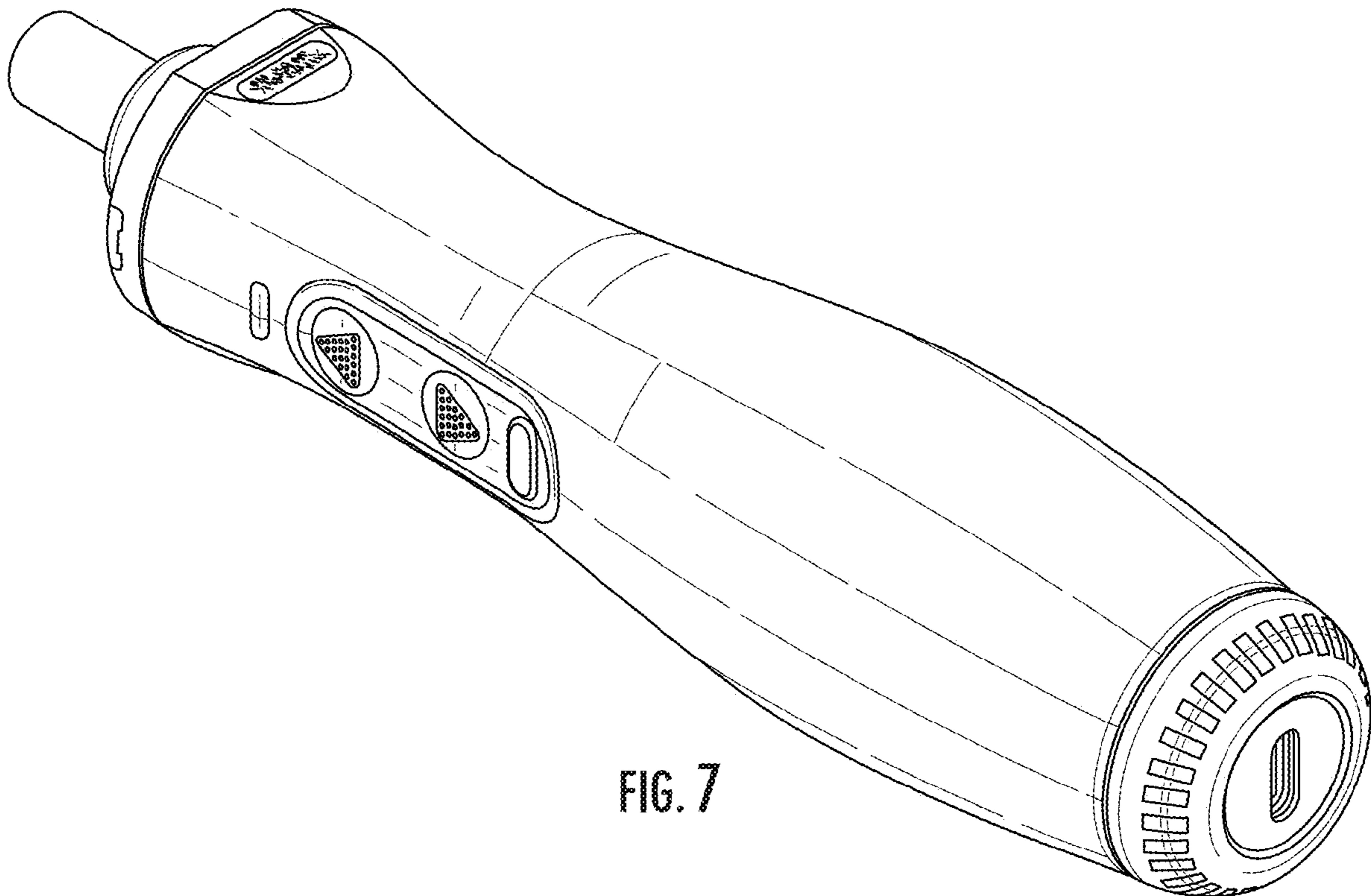


FIG. 7