



US00D927948S

(12) **United States Design Patent** (10) **Patent No.:** **US D927,948 S**
Wilson (45) **Date of Patent:** **** Aug. 17, 2021**

(54) **SEWER CAP REMOVAL SOCKET**

FOREIGN PATENT DOCUMENTS

(71) Applicant: **David Wilson**, Littleton, CO (US)

CN 303823110 * 4/2016
JP D1092589 * 4/1998

(72) Inventor: **David Wilson**, Littleton, CO (US)

(Continued)

(**) Term: **15 Years**

OTHER PUBLICATIONS

(21) Appl. No.: **29/699,716**

Camco, RhinoFLEX 6-in-1 Sewer Cleanout Plug Wrench with Easy Grip Handle—Easily Loosen Any RV Dump Station Cap with Universal Design, Date first available Feb. 9, 2013, [online]retrieved Dec. 4, 2020, available from internet, <https://www.amazon.com/Camco-RhinoFLEX-Cleanout-Universal-39755/dp/B> (Year: 2013).*

(22) Filed: **Jul. 29, 2019**

(Continued)

(51) **LOC (13) Cl.** **08-05**

(52) **U.S. Cl.**
USPC **D8/29**

(58) **Field of Classification Search**

USPC D8/14-40, 51-56, 353, 354; 81/125.1, 81/177.1, 119, 124.7, 124.3, 186, 431, 81/176.15, 461.1, 99, 98, 100; 30/193, 30/252, 254
CPC B25B 13/14; B25B 13/06; B25B 13/04; B25B 13/46; B25B 13/00; B25B 7/02; B25B 13/48; B25B 13/16; B25B 13/505; B25B 13/5058; B25B 23/0007; B25B 13/28; B25B 23/0035; B25B 13/08; B25B 13/02; B25B 13/50; B25B 7/10; B25B 7/14; B25B 5/147; B25B 5/085; B25B 27/00; B25B 23/142; B67B 7/00; B67B 7/18

See application file for complete search history.

Primary Examiner — Keli L Hill

Assistant Examiner — Sara S Sahneh

(74) *Attorney, Agent, or Firm* — Boudwin Intellectual Property; Daniel Boudwin

(57) **CLAIM**

The ornamental design for a sewer cap removal socket, as shown and described.

DESCRIPTION

FIG. 1 shows a perspective view of a sewer cap removal socket; FIG. 2 shows a front view of the sewer cap removal socket; FIG. 3 shows a rear view of the sewer cap removal socket; FIG. 4 shows a right side view of the sewer cap removal socket; FIG. 5 shows a left side view of the sewer cap removal socket; FIG. 6 shows a top plan view of the sewer cap removal socket; and, FIG. 7 shows a bottom plan view of the sewer cap removal socket.

The broken lines shown in the Figures illustrate portions of the sewer cap removal socket that form no part of the claimed design.

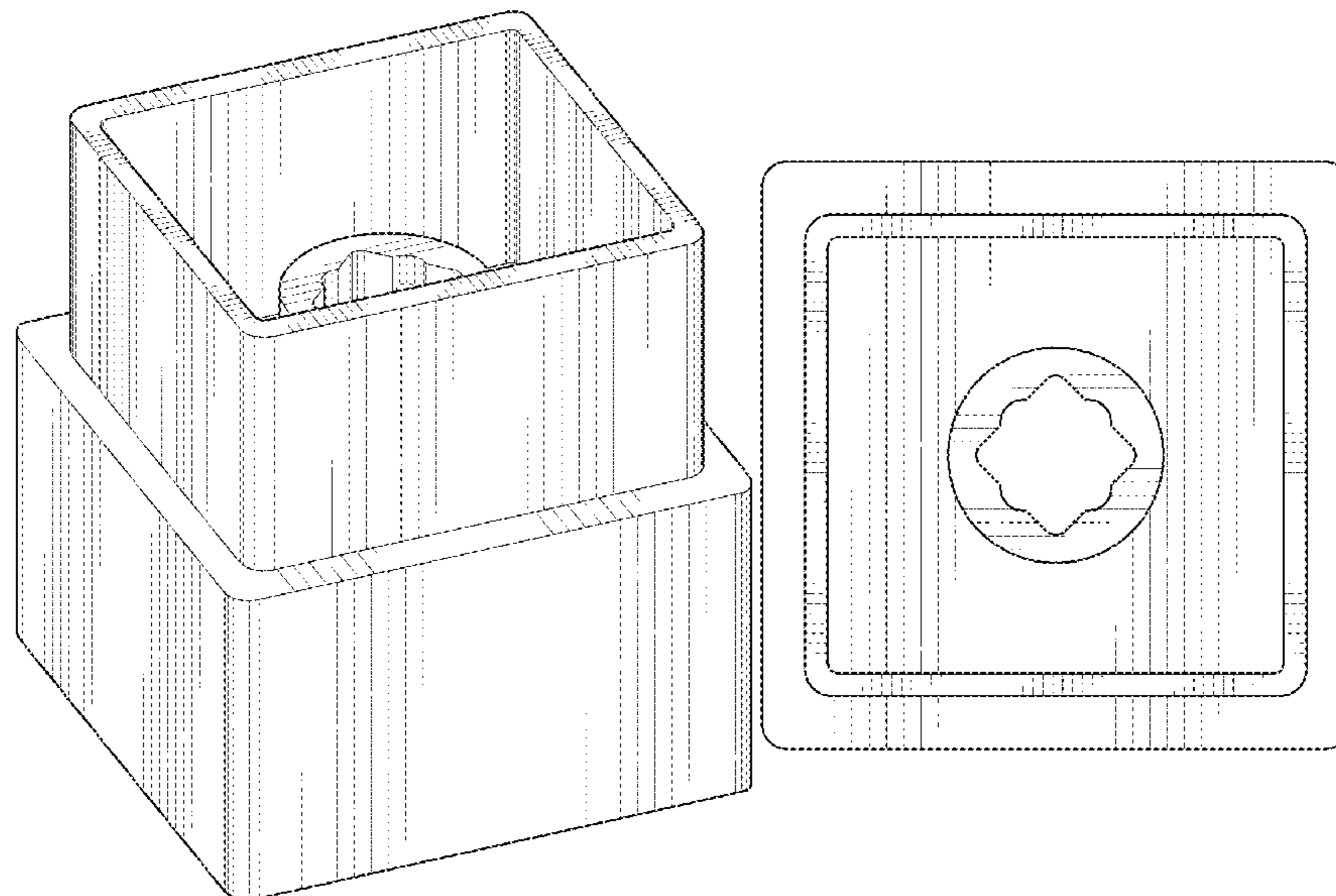
(56) **References Cited**

U.S. PATENT DOCUMENTS

4,786,214 A 11/1988 Schmidt et al.
5,003,682 A 4/1991 Strausbaugh et al.
D359,667 S * 6/1995 Gramling D8/21
D398,493 S * 9/1998 Jones D8/21
D466,766 S * 12/2002 Marty D8/21
D492,171 S * 6/2004 Risolio D8/21

(Continued)

1 Claim, 4 Drawing Sheets



(56)

References Cited

U.S. PATENT DOCUMENTS

D557,088 S * 12/2007 Morgan D8/29
 D873,221 S * 1/2020 Thakare D13/154
 D884,928 S * 5/2020 Gordon D25/133
 D887,527 S * 6/2020 Koiwa D23/214
 D899,903 S * 10/2020 Barnes D8/354
 D899,904 S * 10/2020 Barnes D8/354
 2002/0144572 A1 10/2002 Chaves
 2006/0265849 A1 11/2006 Youngs
 2011/0203094 A1 8/2011 Marciniak et al.
 2015/0251887 A1* 9/2015 Glaser B65D 43/26
 220/284
 2018/0021927 A1* 1/2018 Lin B25B 13/06
 81/121.1
 2020/0298377 A1* 9/2020 Wilson B25B 23/0035

FOREIGN PATENT DOCUMENTS

JP D1612276 * 1/2018
 KR 300748337.0000 * 2/2014

OTHER PUBLICATIONS

Genova Store, Products 71840 Cleanout Plug, Date first available Feb. 17, 2007, [online]retrieved Dec. 4, 2020, available from internet, https://www.amazon.com/Genova-71840-products/dp/B000BPD95W/ref=pd_sbs_263_44?_encoding=UTF8&pd_rd_i=B000BPD95W&pd_rd_r=f2256743-ca89-4d96-b068-576a6939b(Year: 2007).*

Automotive Authority, 4" Square Rubber Bumper Plug End Cap Cover RV Camper Trailer, Date first available Aug. 14, 2017, [online]retrieved Dec. 4, 2020, available from internet, https://www.amazon.com/Square-Rubber-Bumper-Camper-Trailer/dp/B074STJFN1/ref=sr_1_3?dchild=1&keywords=Sewer+Cap+Socket(Year: 2017).*

X Autohaux Store, Trailer Hitch Tube Cover Rubber Hitch Tube Cover Plug Cap Insert, Date first available Jul. 28, 2019, [online] retrieved Dec. 4, 2020, available from internet, https://www.amazon.com/dp/B07V2LPQ94/ref=sspa_dk_detail_3?psc=1&pd_rd_i=B07V2LPQ94&pd_rd_w=VLwo2&pf_rd_p=7d37a48b-2b1a-4373-8c1(Year: 2019).*

* cited by examiner

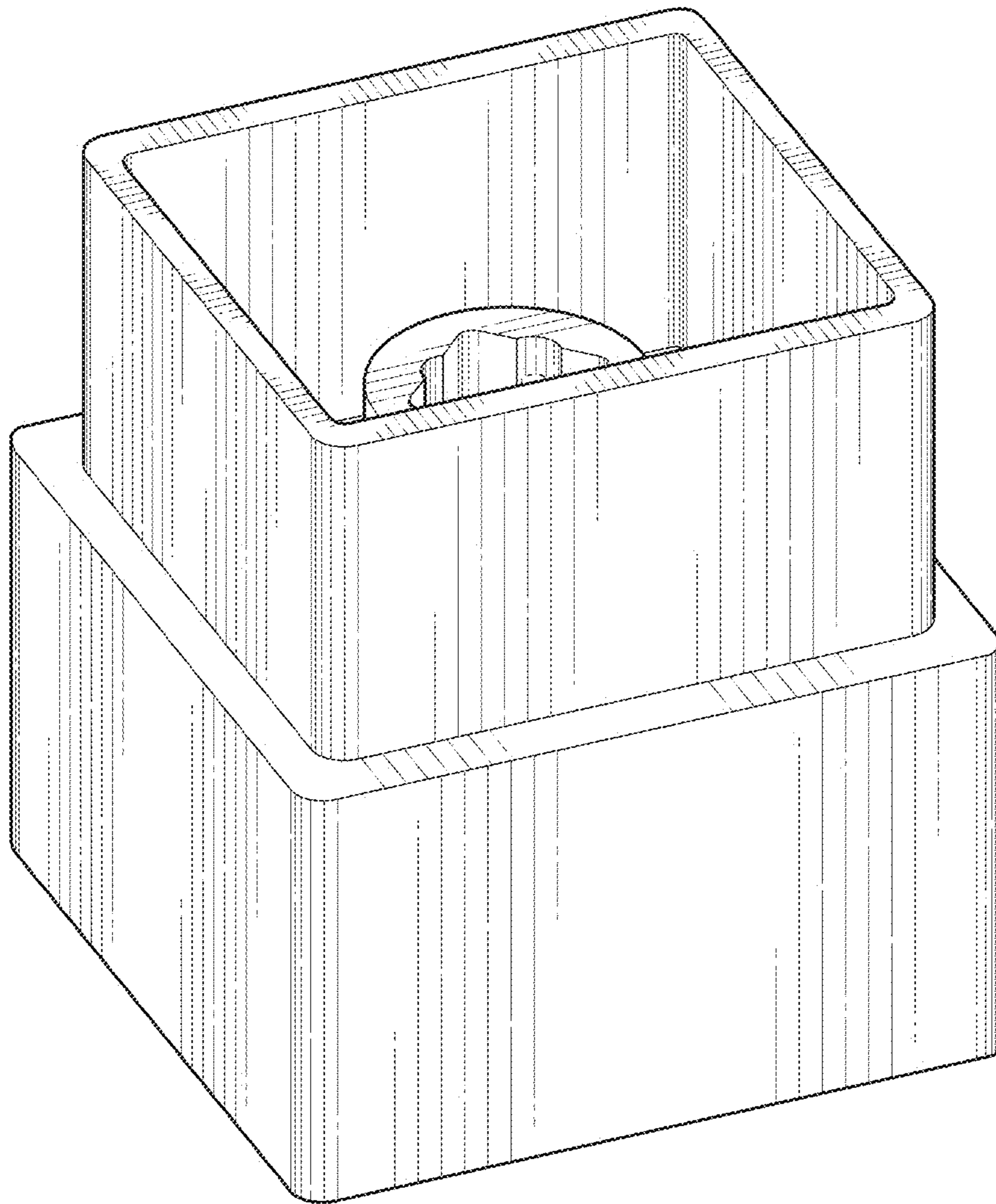


FIG. 1

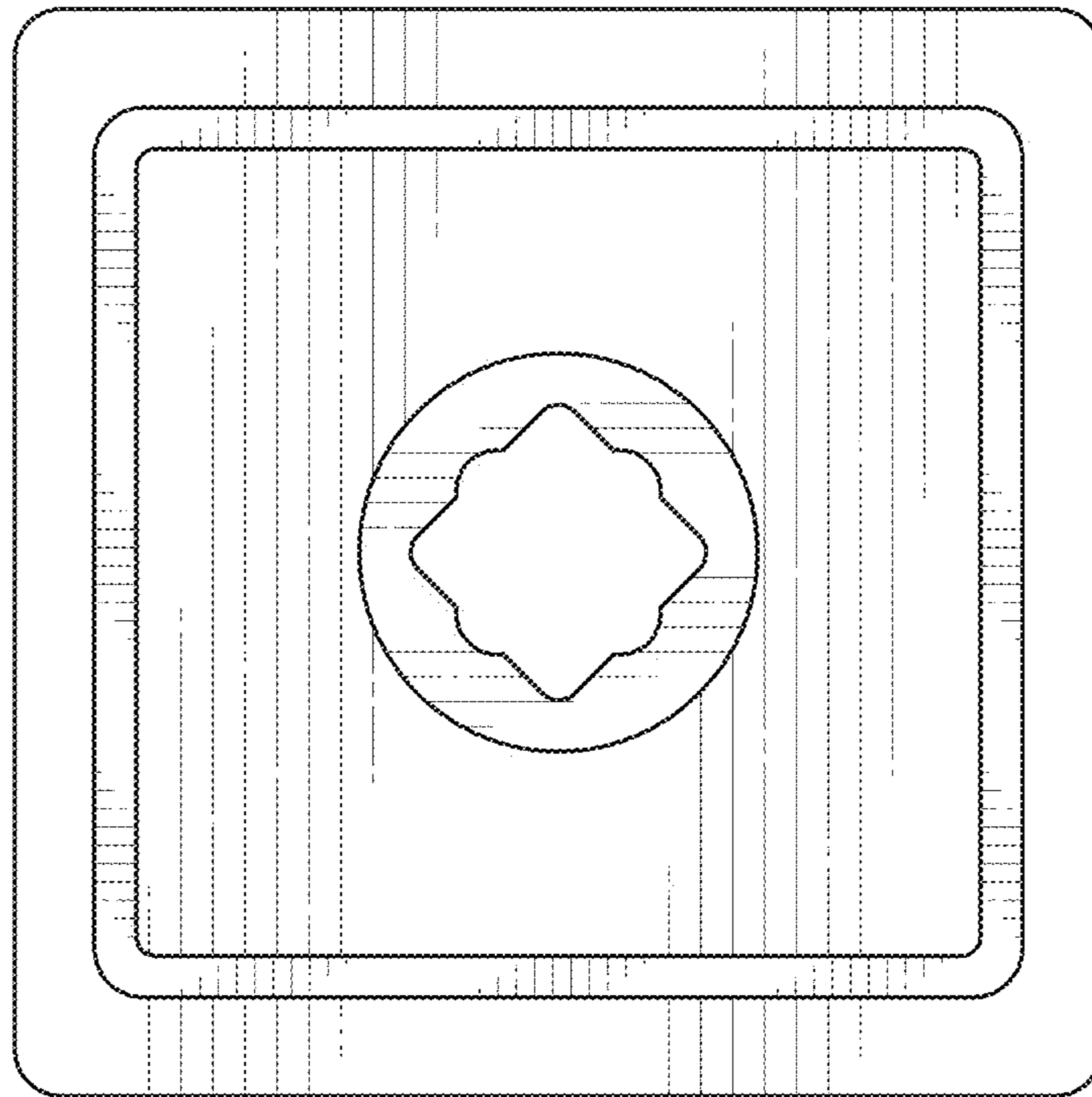


FIG. 2

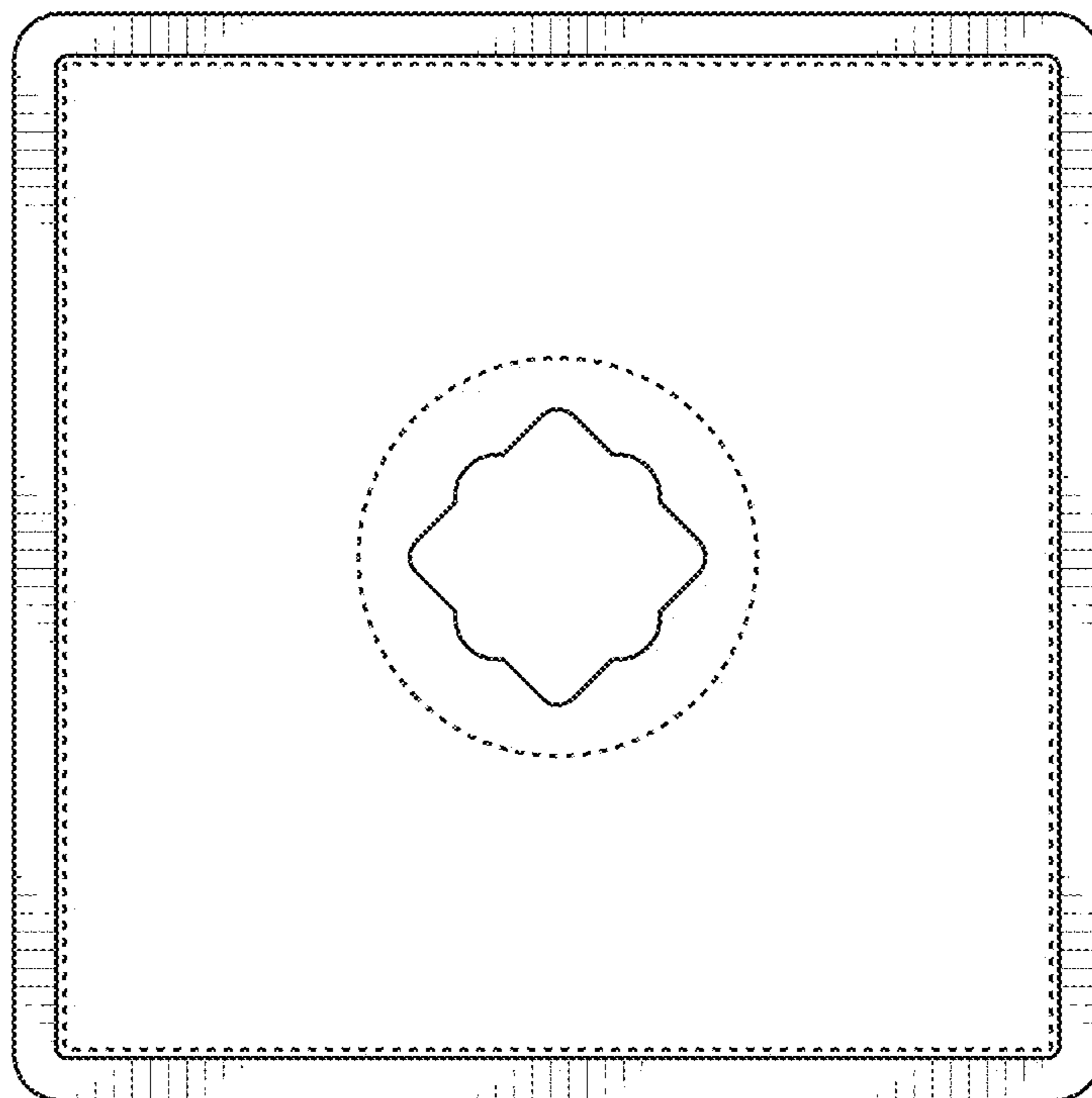


FIG. 3

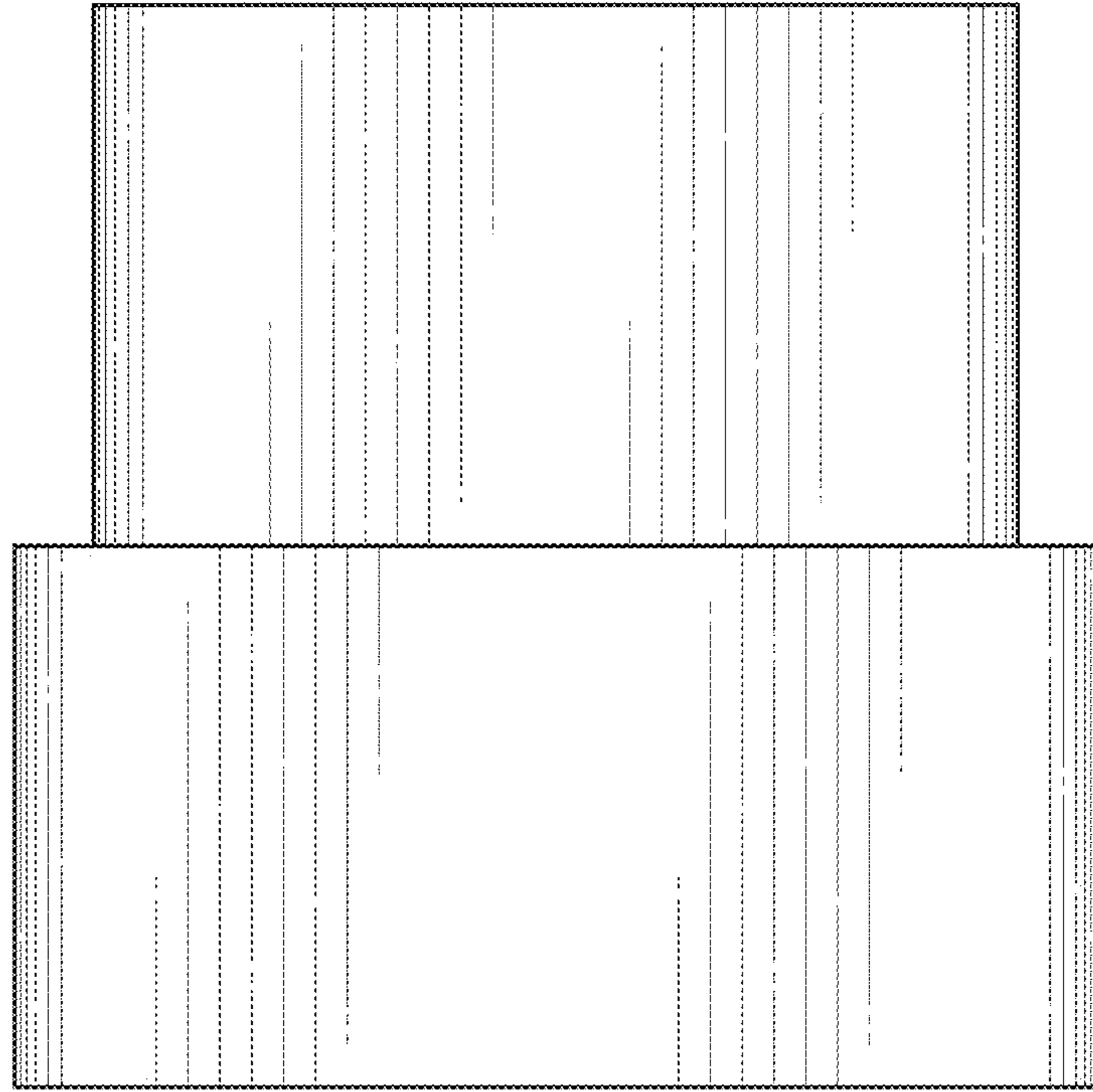


FIG. 4

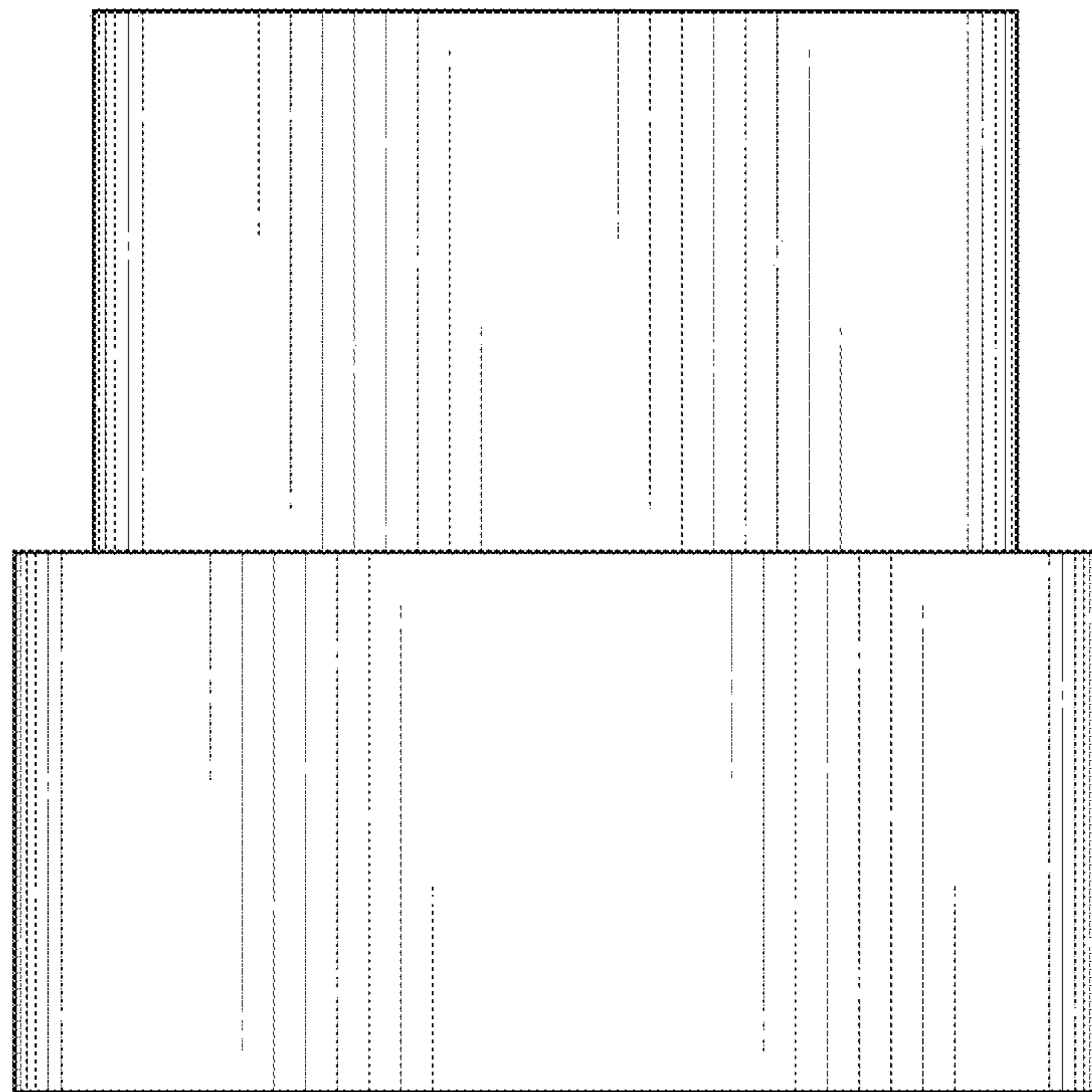


FIG. 5

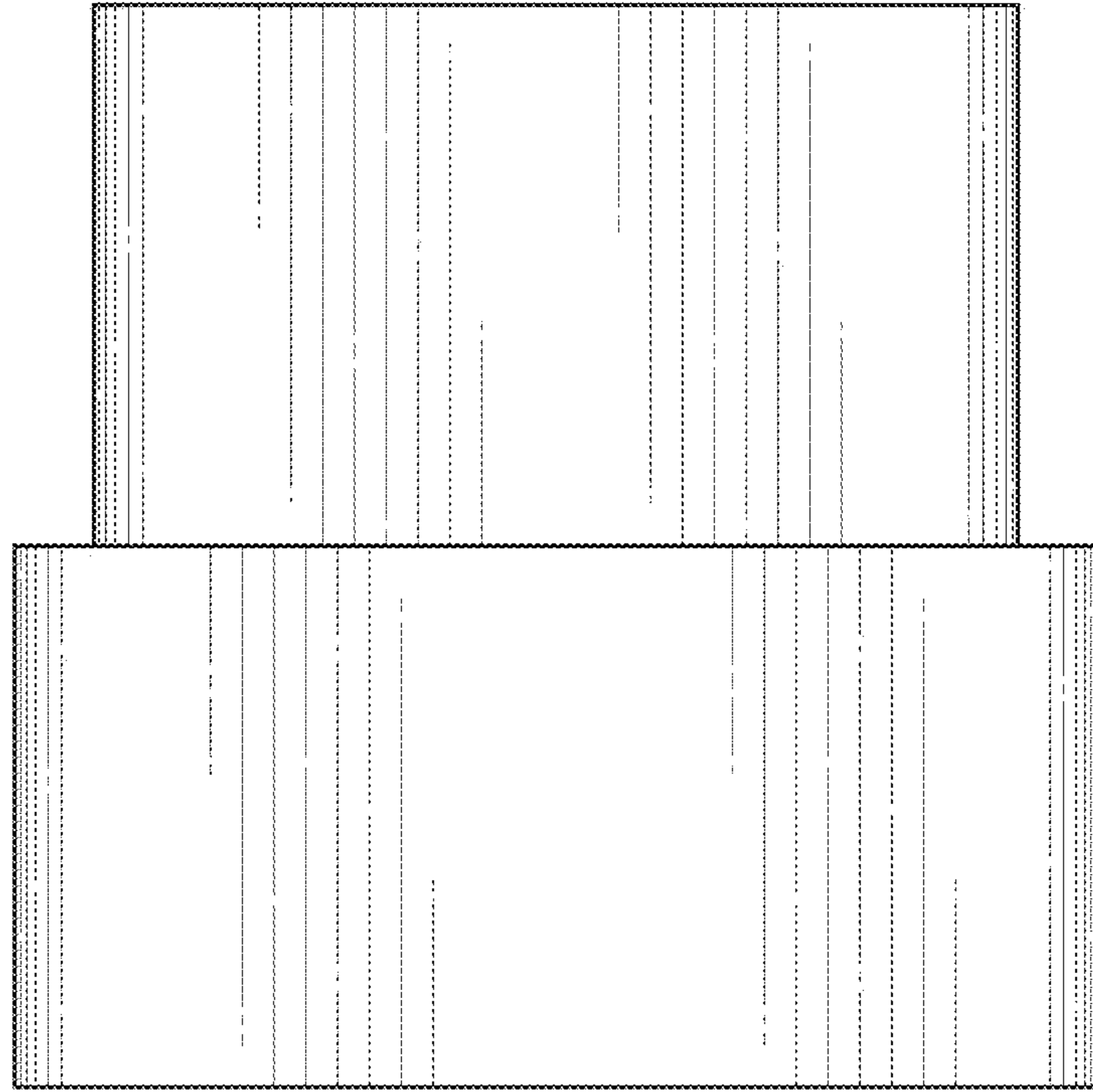


FIG. 6

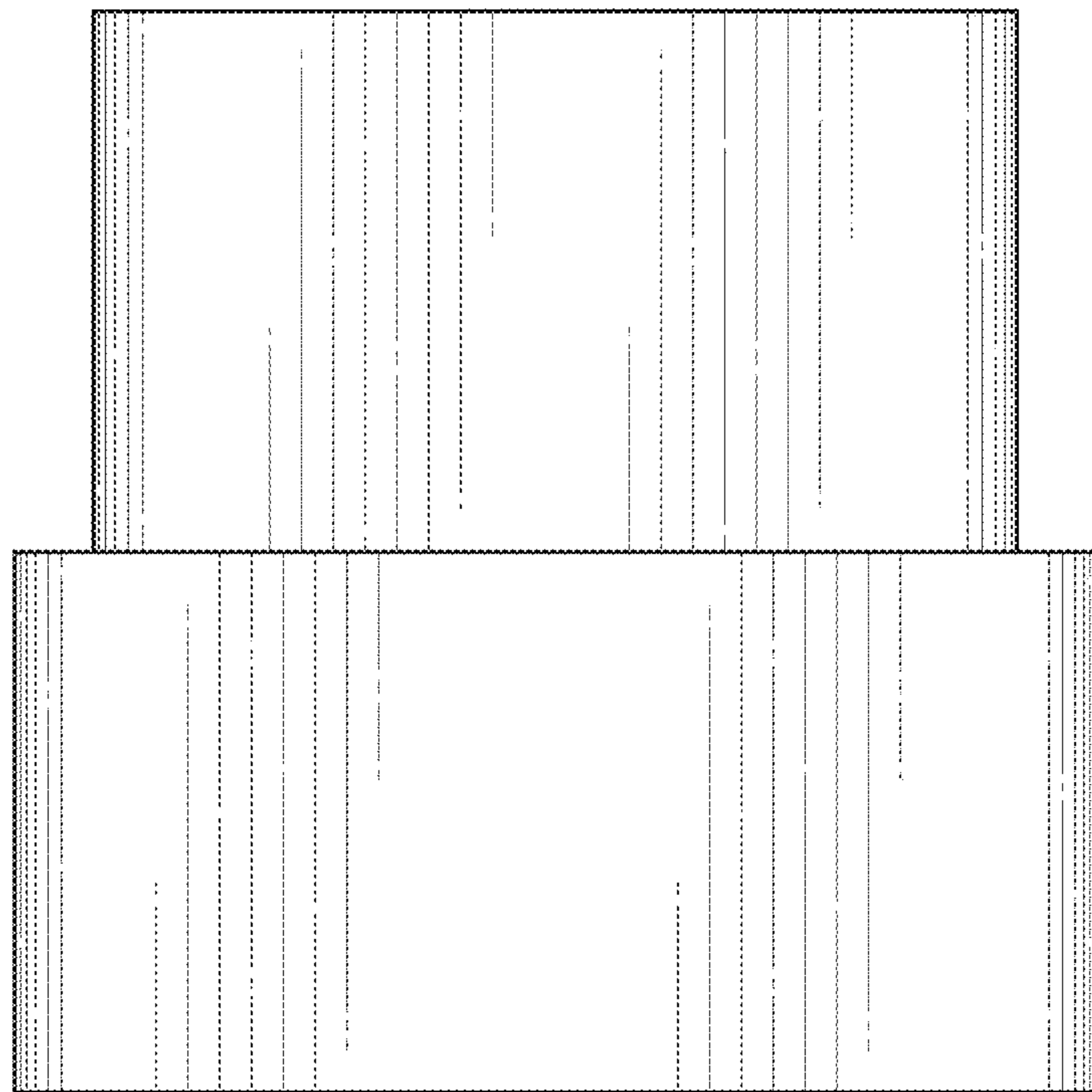


FIG. 7