



US00D927946S

(12) **United States Design Patent** (10) **Patent No.:** **US D927,946 S**  
**Lam** (45) **Date of Patent:** **\*\* Aug. 17, 2021**

(54) **ROTATING COFFEE RACK**  
(71) Applicant: **Jiangmen Xinhui Yinghua Hardware Co., Ltd., Jiangmen (CN)**  
(72) Inventor: **Chi Leong Lam, Jiangmen (CN)**  
(73) Assignee: **Jiangmen Xinhui Yinghua Hardware Co., LTD., Jiangmen (CN)**

D627,988 S \* 11/2010 Chapman ..... D6/680.3  
D636,639 S \* 4/2011 Chen ..... D7/600.1  
D637,042 S \* 5/2011 Chen ..... D7/600.1  
D650,240 S \* 12/2011 Hertaus ..... D7/600.2  
D698,606 S \* 2/2014 Tsai ..... D7/600.2  
D716,591 S \* 11/2014 Ma ..... D6/677.5  
2012/0085716 A1\* 4/2012 Chen ..... A47G 23/0208  
211/41.11

(\*\*) Term: **15 Years**  
(21) Appl. No.: **29/705,512**  
(22) Filed: **Sep. 12, 2019**

\* cited by examiner  
*Primary Examiner* — Terry A Wallace  
(74) *Attorney, Agent, or Firm* — Williams Morgan, P.C.

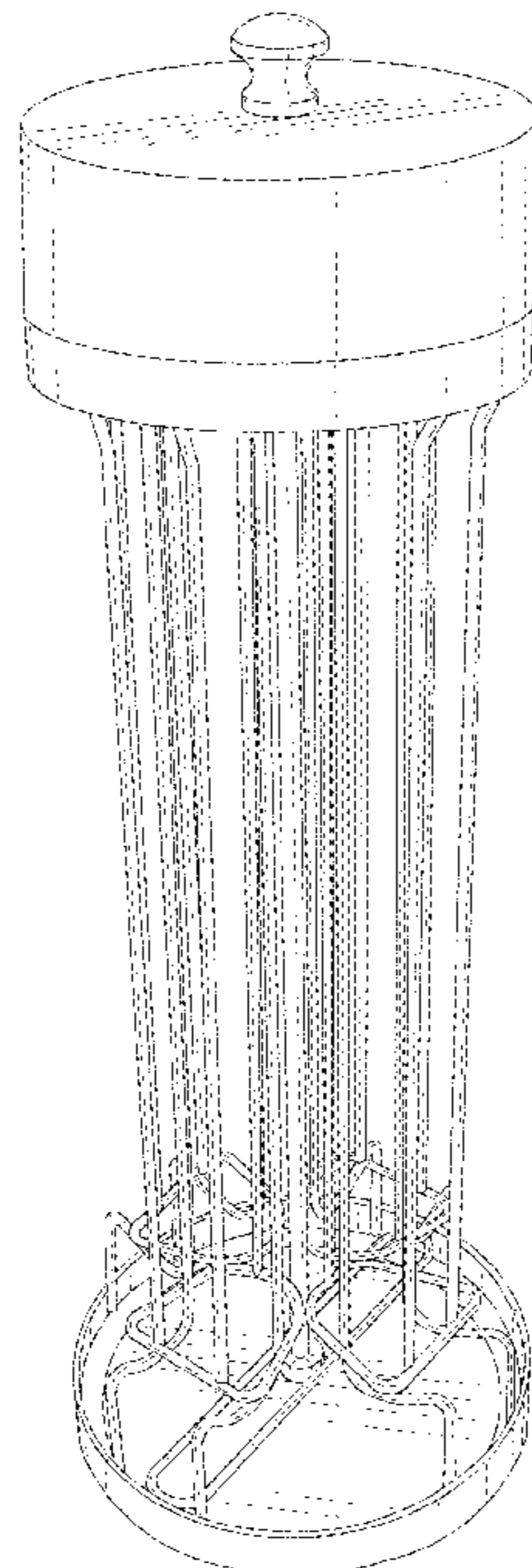
(30) **Foreign Application Priority Data**  
May 16, 2019 (CN) ..... 201930236278.2  
(51) **LOC (13) Cl.** ..... **06-04**  
(52) **U.S. Cl.**  
USPC ..... **D7/704; D7/600.2**  
(58) **Field of Classification Search**  
USPC ..... D7/601, 701–708, 600.1–600.4;  
D6/677.5, 680.3  
CPC .. A47J 47/16; A47J 47/01; A47J 47/00; A47F  
5/01; A47F 7/283; A47F 1/04; A47F  
1/08; A47F 1/082; A47F 1/085; A47B  
81/00; A47G 23/0208; A47G 31/44  
See application file for complete search history.

(57) **CLAIM**  
The ornamental design for a rotating coffee rack, as shown and described.

(56) **References Cited**  
U.S. PATENT DOCUMENTS  
1,597,754 A \* 8/1926 Alston ..... A47J 47/16  
294/161  
D625,570 S \* 10/2010 Melocchi ..... A47J 31/44  
D7/704

**DESCRIPTION**  
FIG. 1 is a perspective view of a first variant of a rotating coffee rack showing the new design; FIG. 2 is a front view of FIG. 1; FIG. 3 is a left side view of FIG. 1; FIG. 4 is a right side view of FIG. 1; FIG. 5 is a top view of FIG. 1; FIG. 6 is a bottom view of FIG. 1; FIG. 7 is a perspective view of a second variant of a rotating coffee rack showing the new design; FIG. 8 is a front view of FIG. 7; FIG. 9 is a left side view of FIG. 7; FIG. 10 is a right side view of FIG. 7; FIG. 11 is a top view of FIG. 7; and, FIG. 12 is a bottom view of FIG. 7. The rear view of FIG. 1 is the same as the front view of FIG. 1, the rear view of FIG. 7 is the same as the front view of FIG. 7, so the rear view of FIG. 1 and the rear view of FIG. 7 are omitted.

**1 Claim, 12 Drawing Sheets**



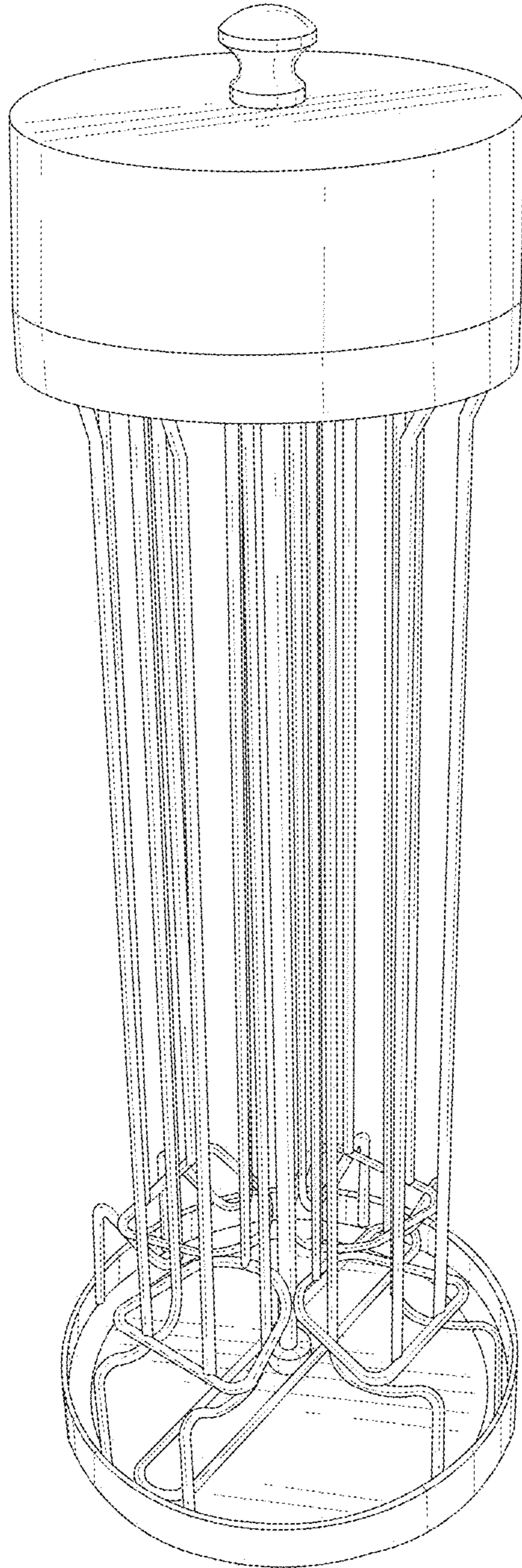


Fig. 1

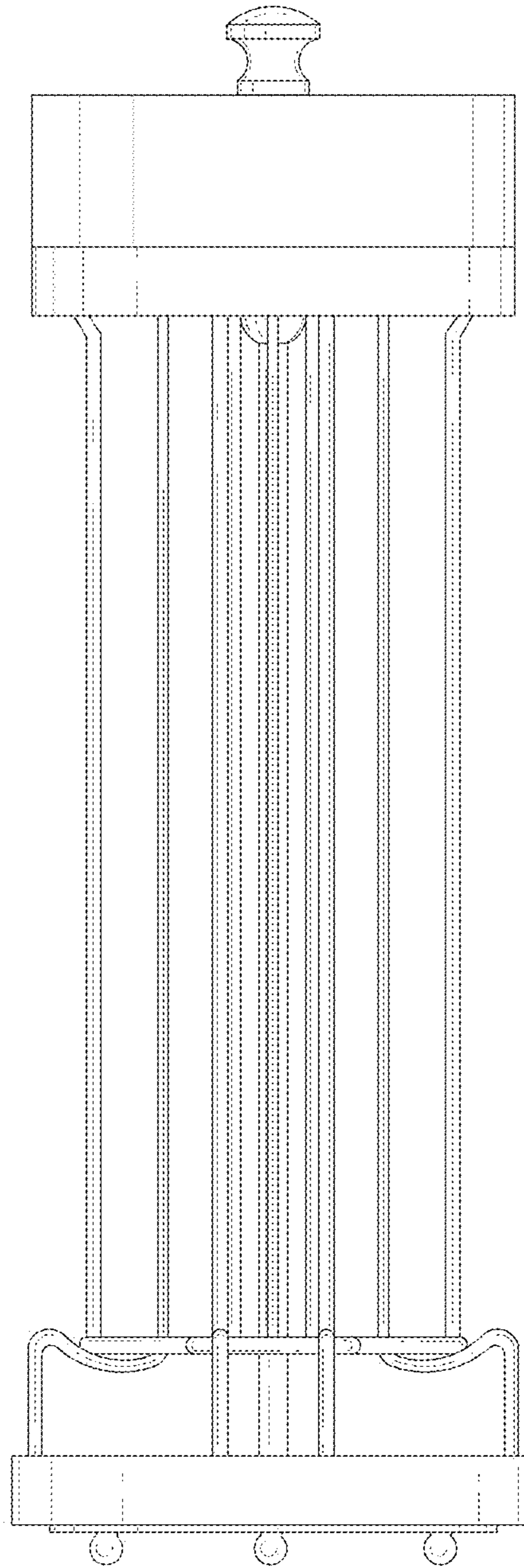


Fig. 2

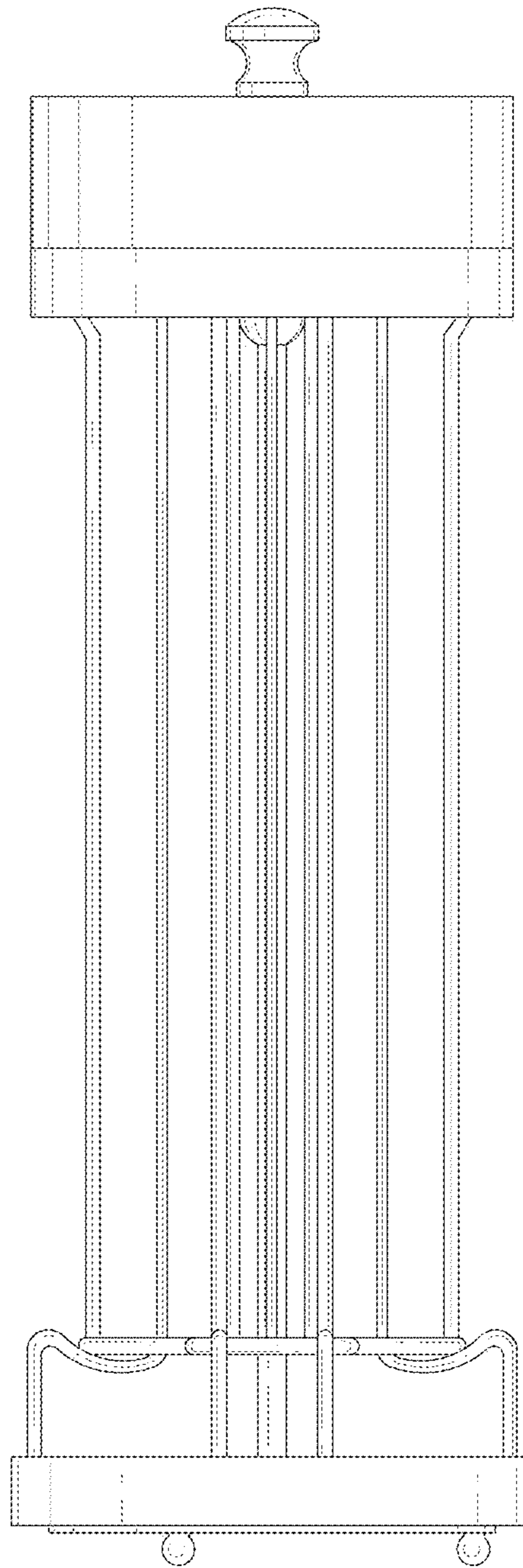


Fig. 3

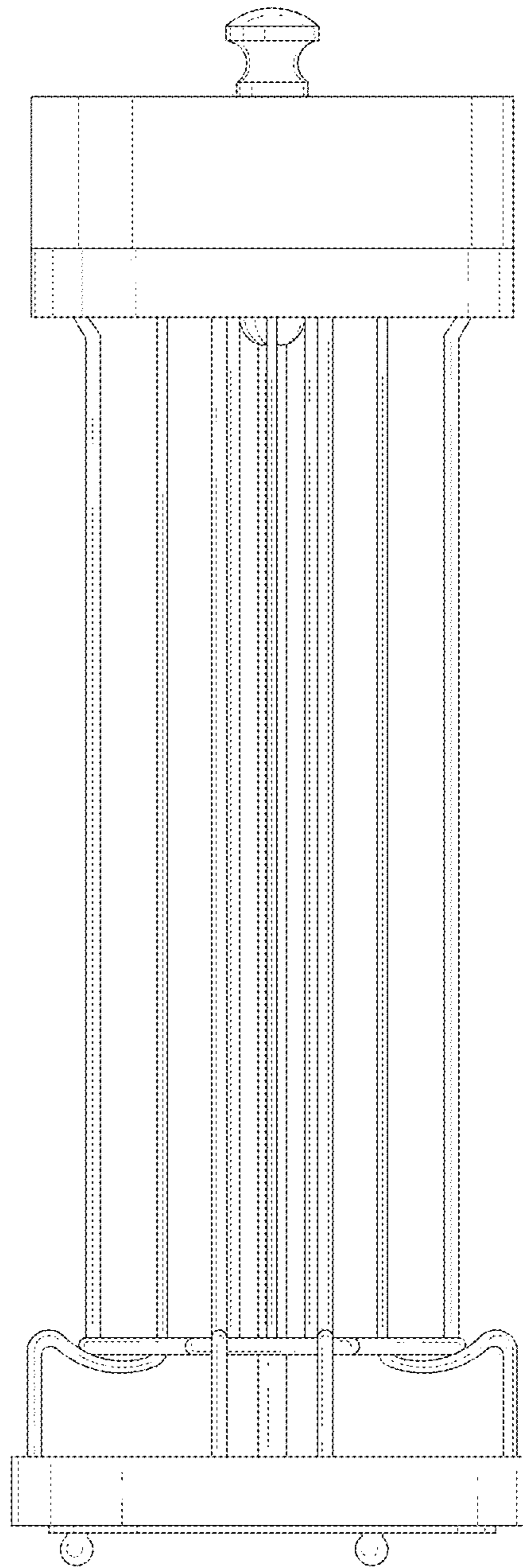


Fig. 4

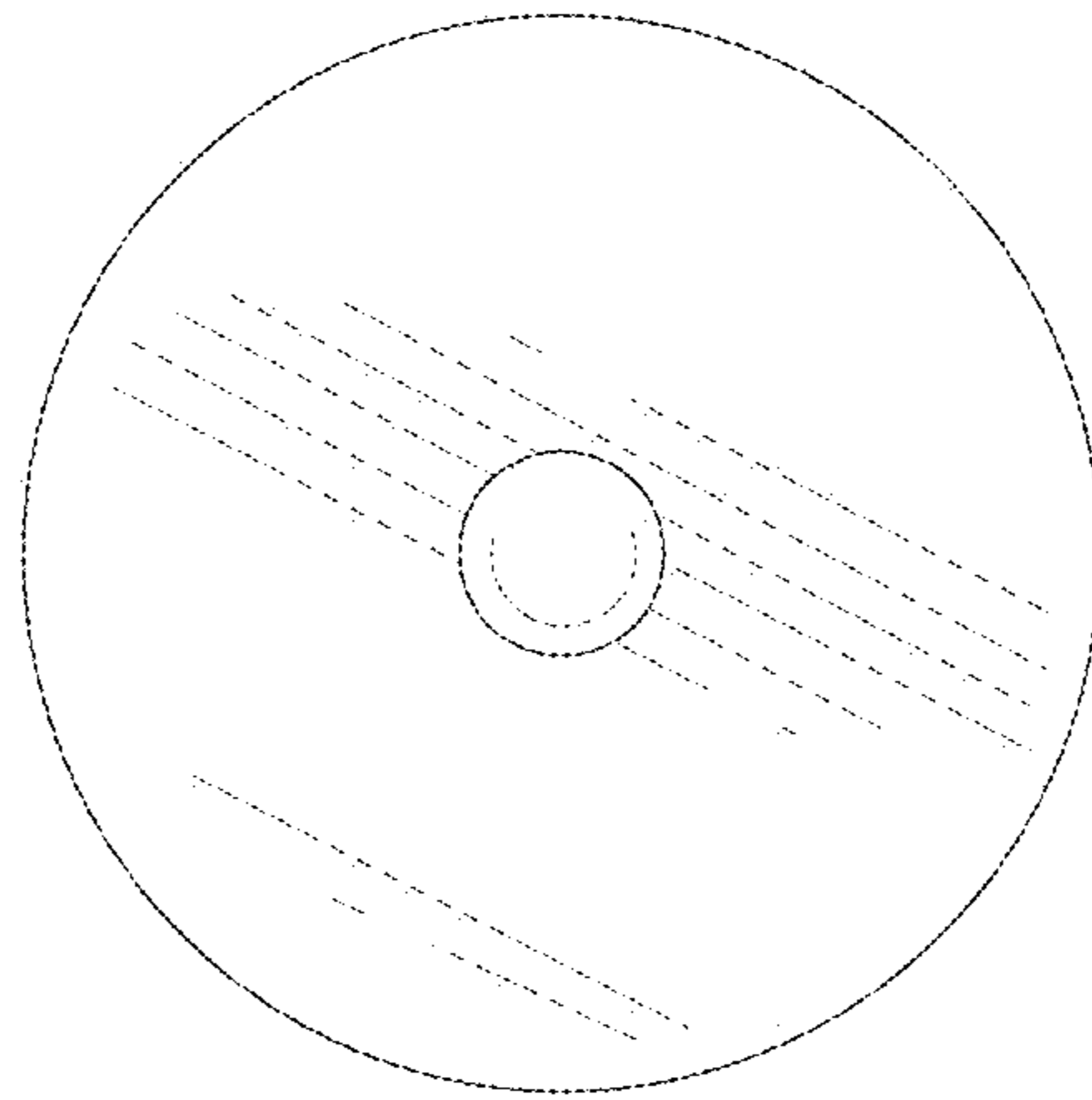


Fig. 5

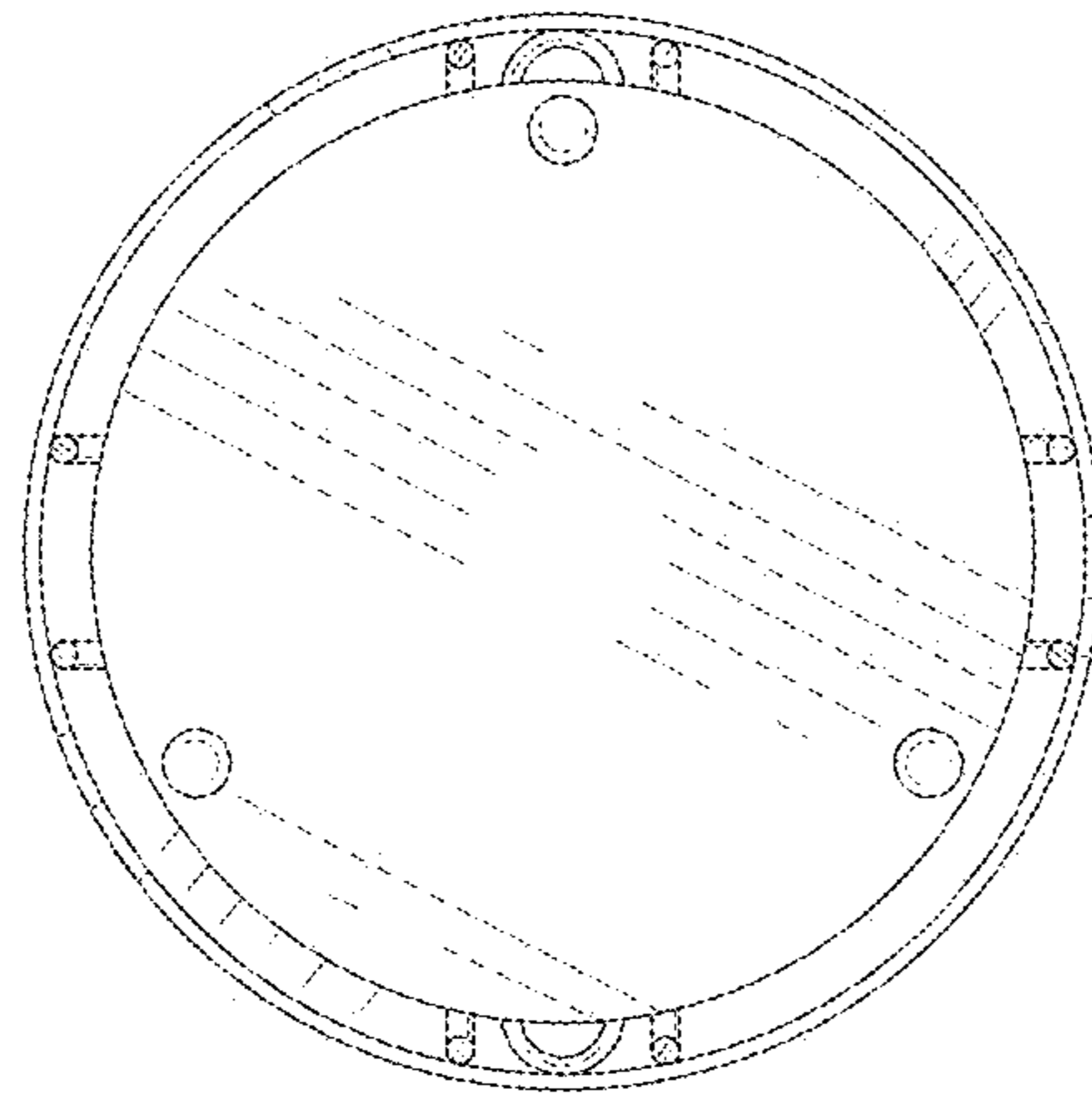


Fig.6

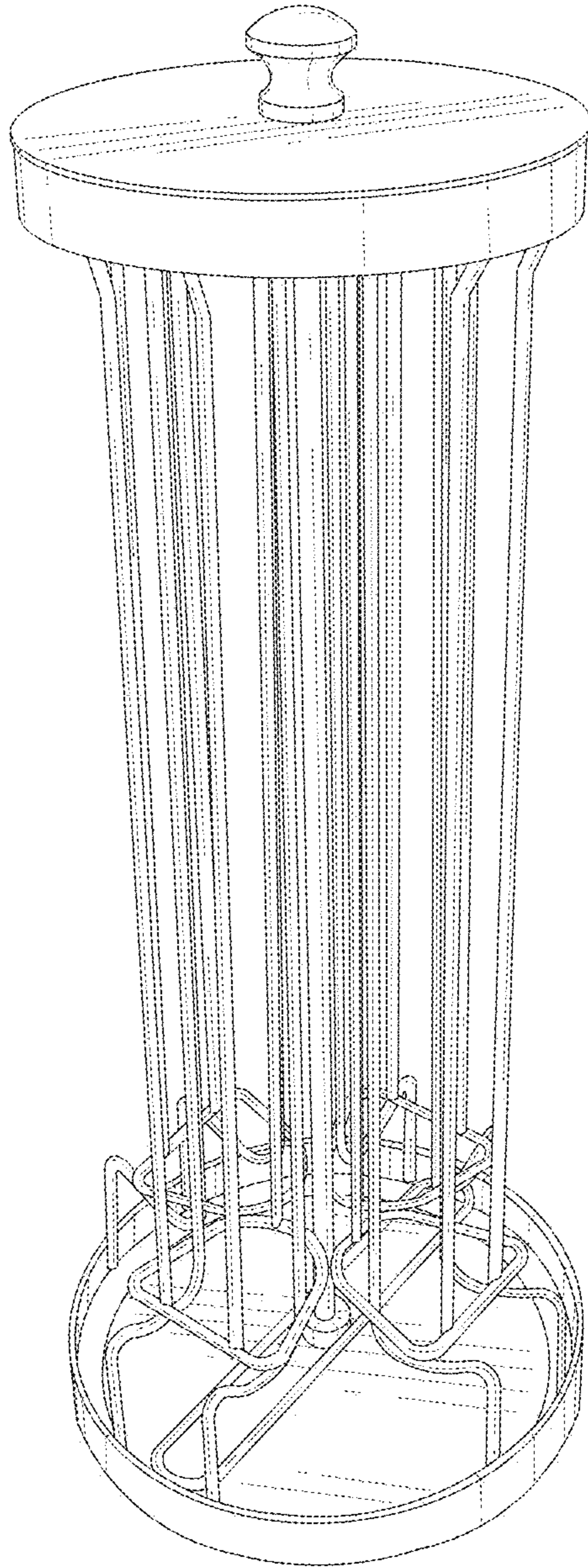


Fig. 7





Fig. 8

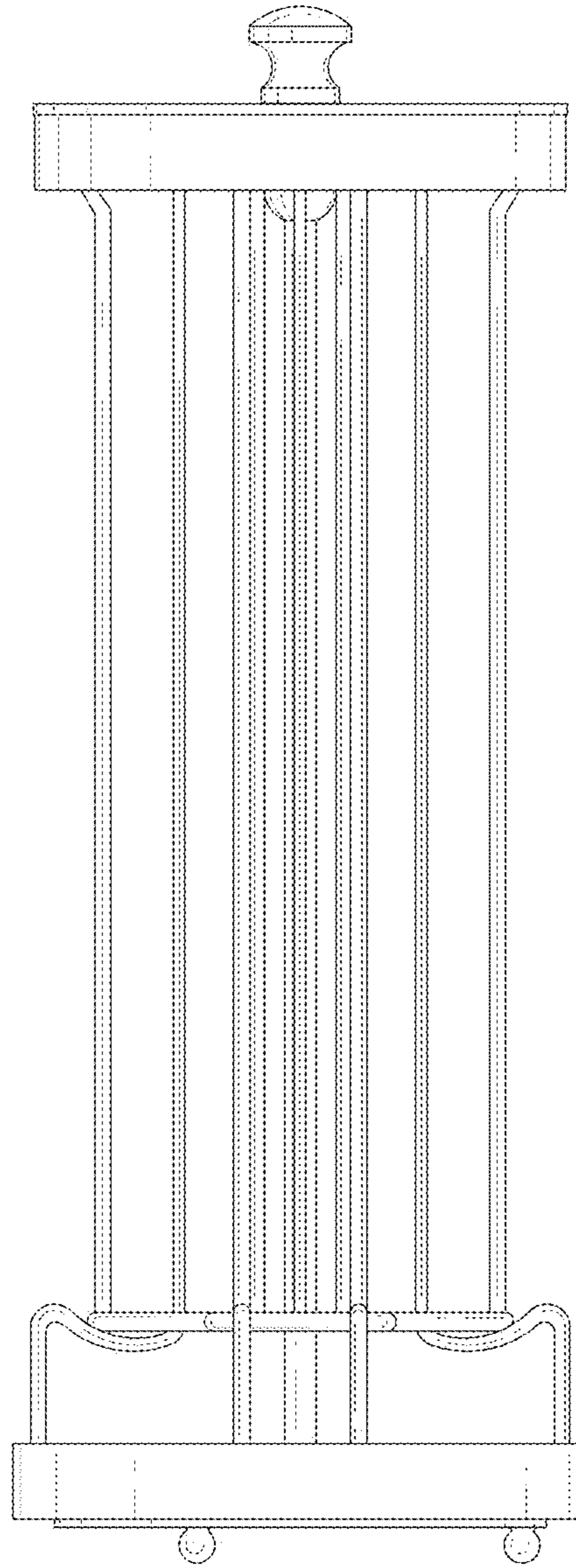


Fig. 9

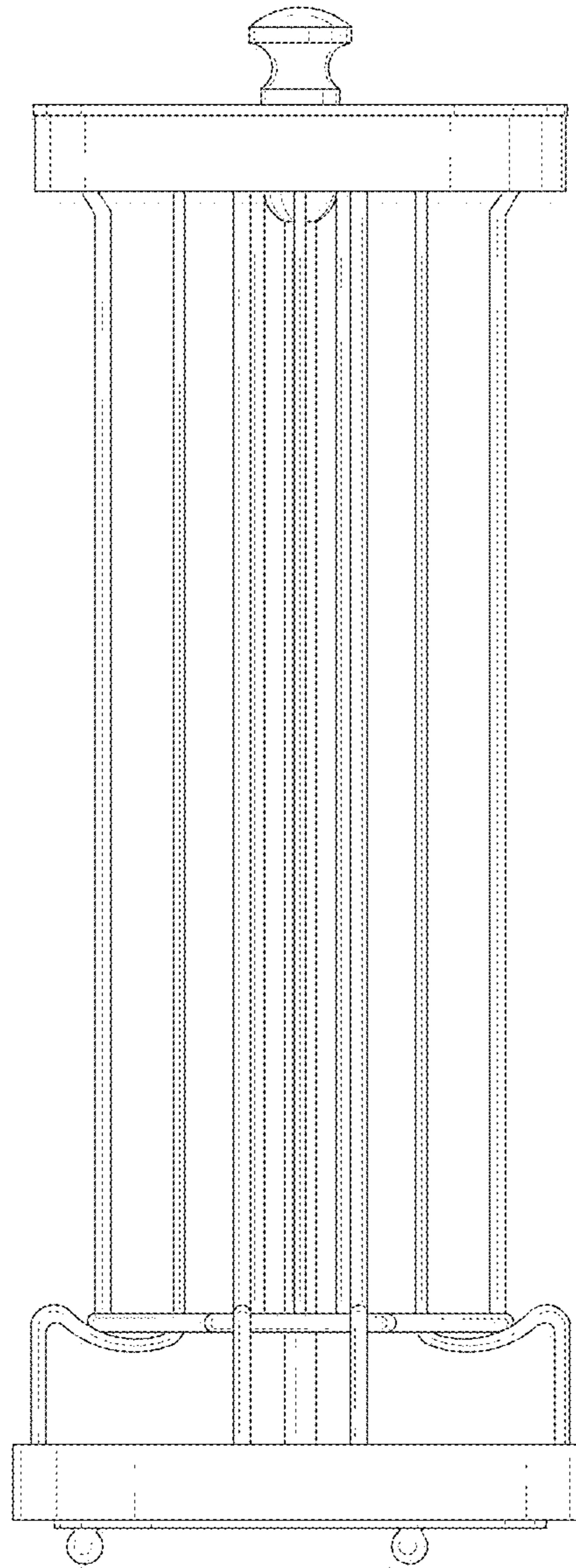


Fig. 10

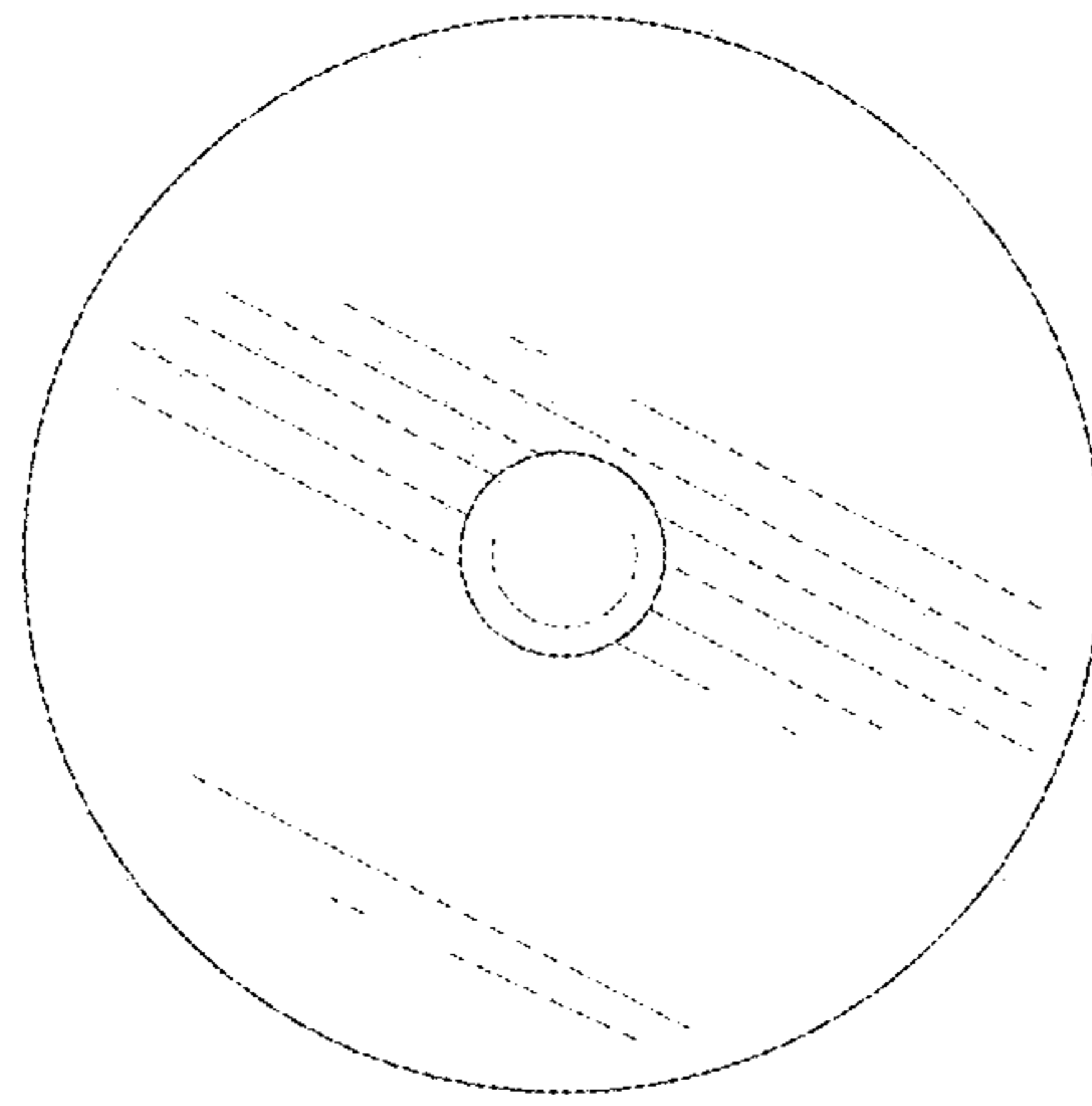


Fig. 11

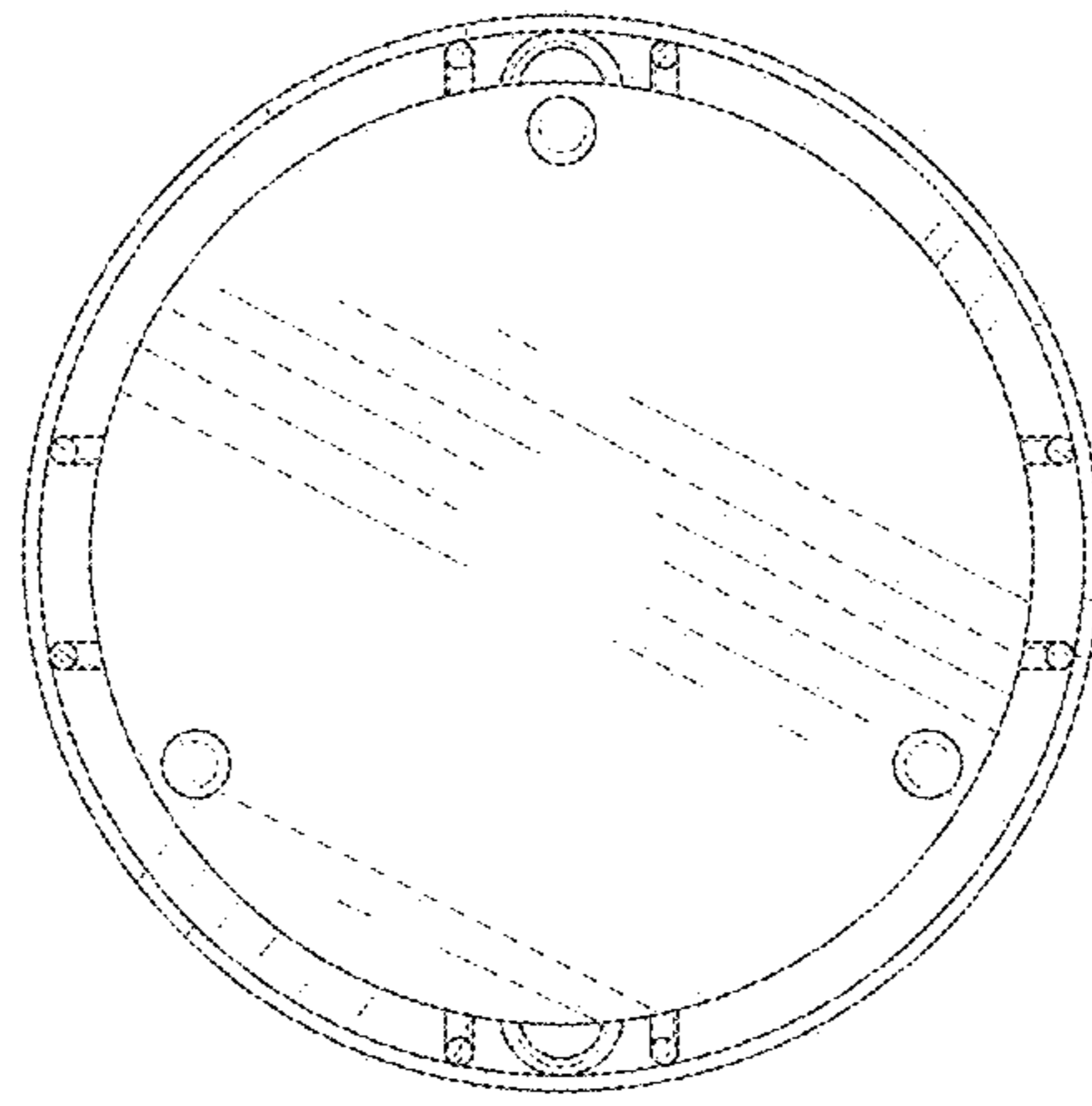


Fig. 12