



US00D927945S

(12) **United States Design Patent** (10) **Patent No.:** **US D927,945 S**
Cheng (45) **Date of Patent:** **** Aug. 17, 2021**

(54) **POT LID ORGANIZER** 4,593,822 A * 6/1986 Yeaney A61L 2/26
211/41.8
(71) Applicant: **Yong Cheng**, Chengdu (CN) D297,489 S * 9/1988 Chap D6/675.5
D717,371 S * 11/2014 Tsai D19/90
(72) Inventor: **Yong Cheng**, Chengdu (CN) D736,566 S * 8/2015 Tsai D7/601
D742,145 S * 11/2015 Hsu D6/683.1
D748,939 S * 2/2016 Hsu D6/683.1
D772,017 S * 11/2016 Tsai D7/601
D780,262 S * 2/2017 Tsai D19/90
D823,078 S * 7/2018 Tuang D7/704

(**) Term: **15 Years**

(21) Appl. No.: **29/703,468**

(22) Filed: **Aug. 27, 2019**

(51) **LOC (13) Cl.** **06-06**

(52) **U.S. Cl.**
USPC **D7/704; D6/675.2**

(58) **Field of Classification Search**
USPC .. D7/704, 601, 409, 504, 632, 600.1-600.4;
D6/678.4, 678.2, 683.1, 676.5, 675.2,
D6/677.5, 680.3; D19/90
CPC A47J 47/16; A47J 47/00; A47J 37/0786;
A47L 19/00; A47L 19/04; A47G 19/08;
A47F 5/01

See application file for complete search history.

(56) **References Cited**

U.S. PATENT DOCUMENTS

451,729 A * 5/1891 Dom B42F 17/12
211/11
3,176,849 A * 4/1965 Peebles B42F 17/02
211/50

* cited by examiner

Primary Examiner — Terry A Wallace

(74) *Attorney, Agent, or Firm* — Che-Yang Chen; Law Office of Michael Chen

(57) **CLAIM**

The ornamental design for a pot lid organizer, as shown and described.

DESCRIPTION

FIG. 1 is a perspective view of a pot lid organizer showing my new design;

FIG. 2 is a front elevational view thereof;

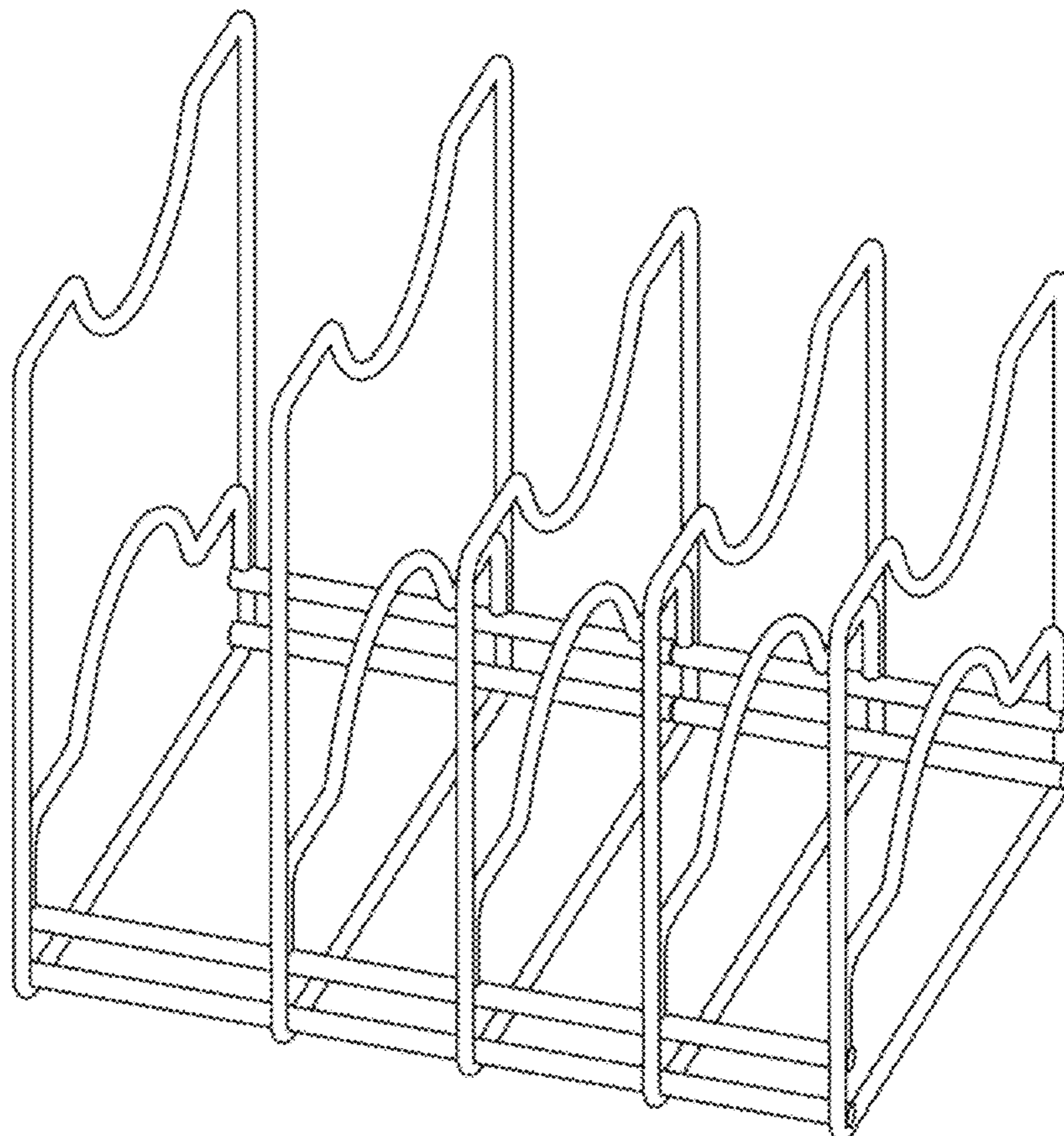
FIG. 3 is a rear elevational view thereof;

FIG. 4 is a left side elevational view thereof;

FIG. 5 is a right side elevational view thereof; and,

FIG. 6 is a top/bottom plan view thereof.

1 Claim, 6 Drawing Sheets



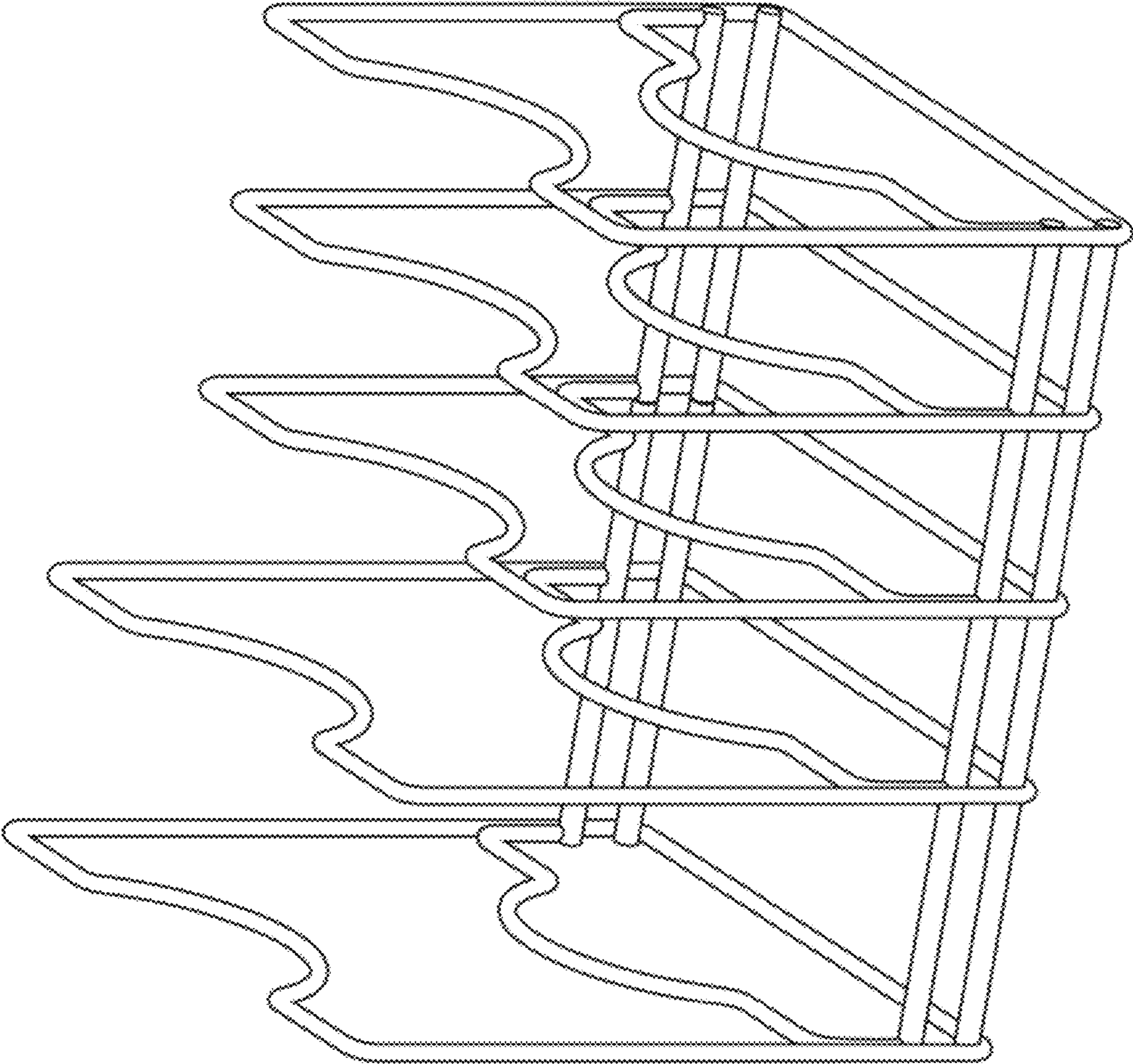


FIG. 1

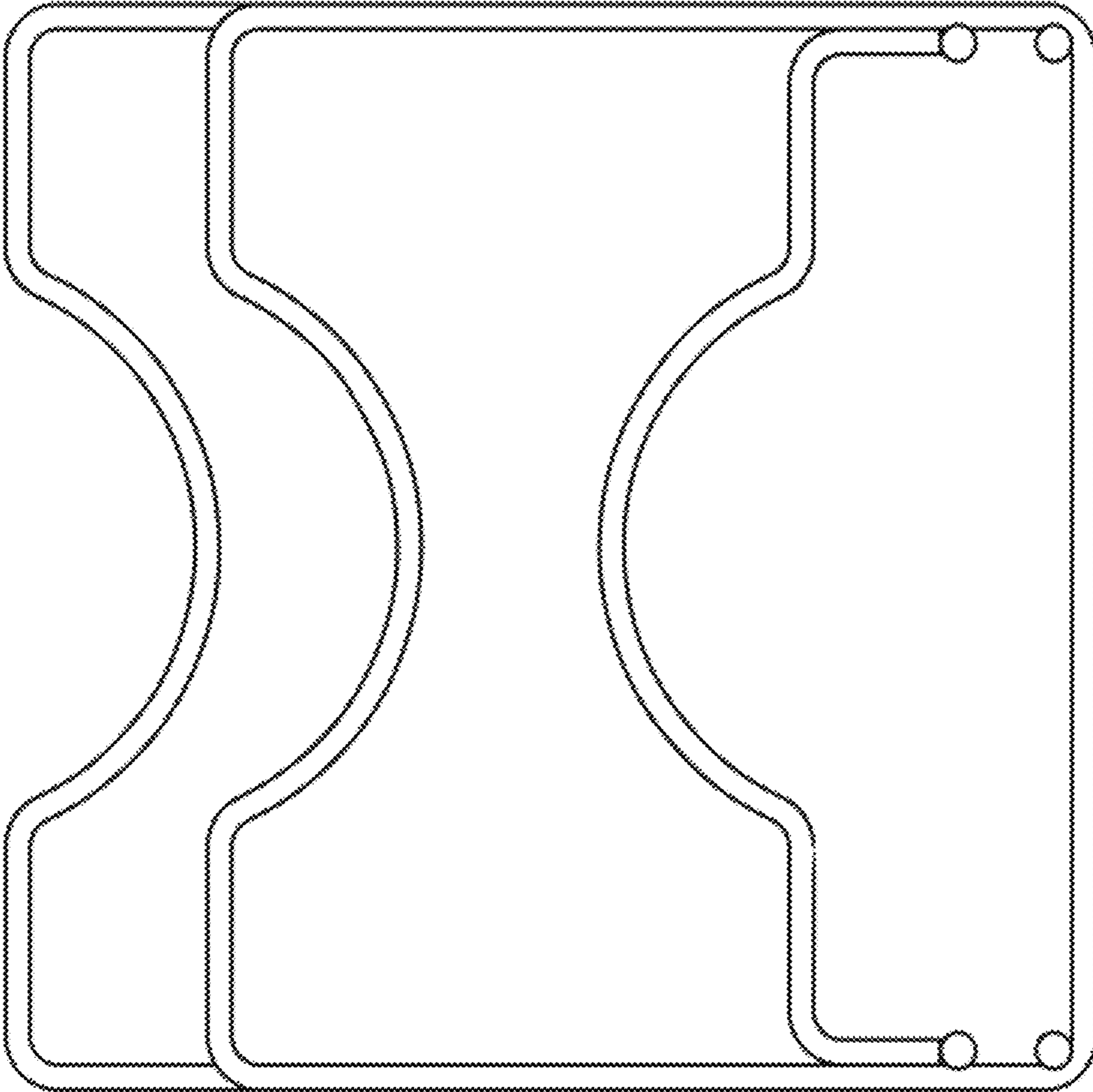


FIG. 2

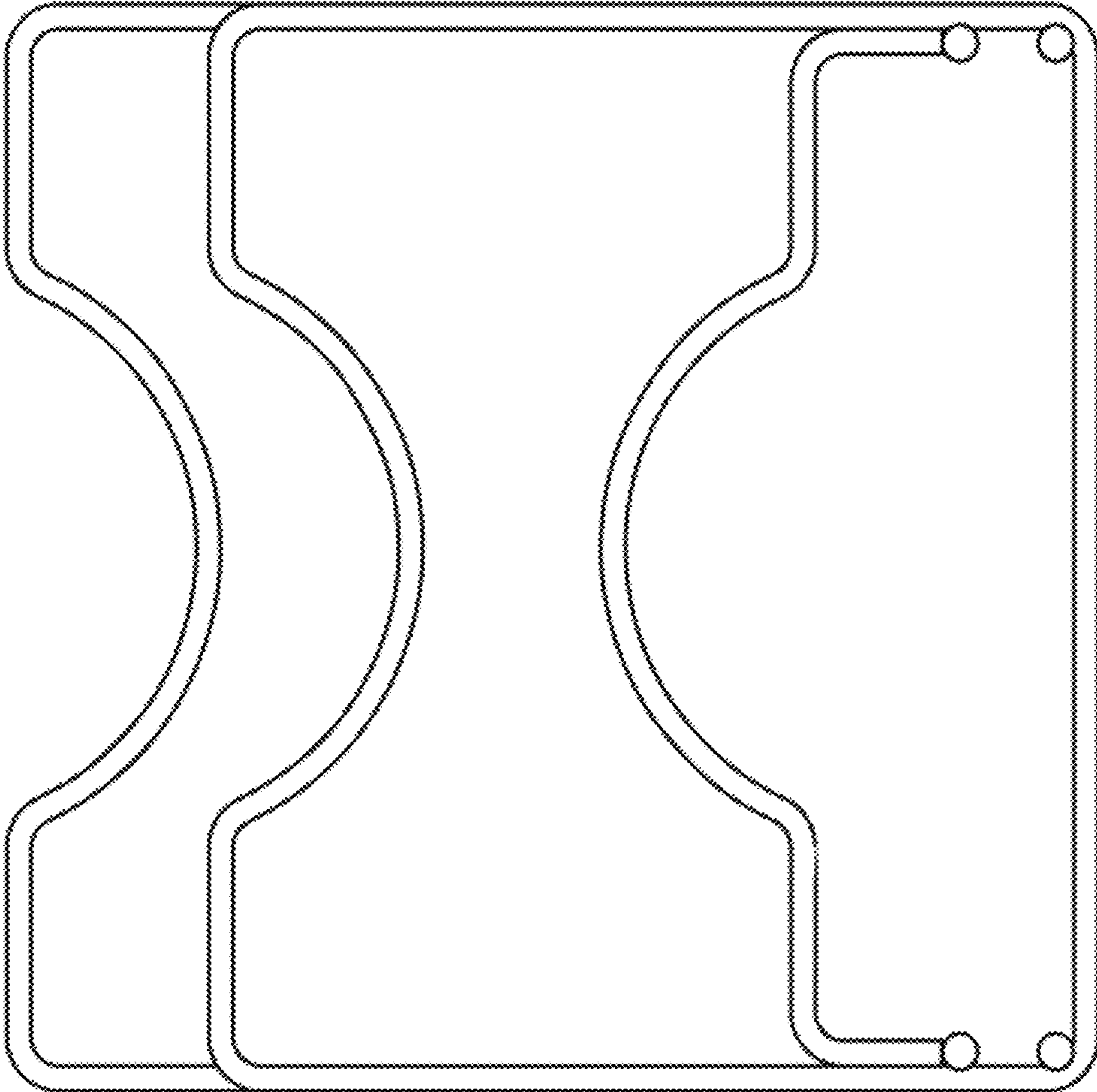


FIG. 3

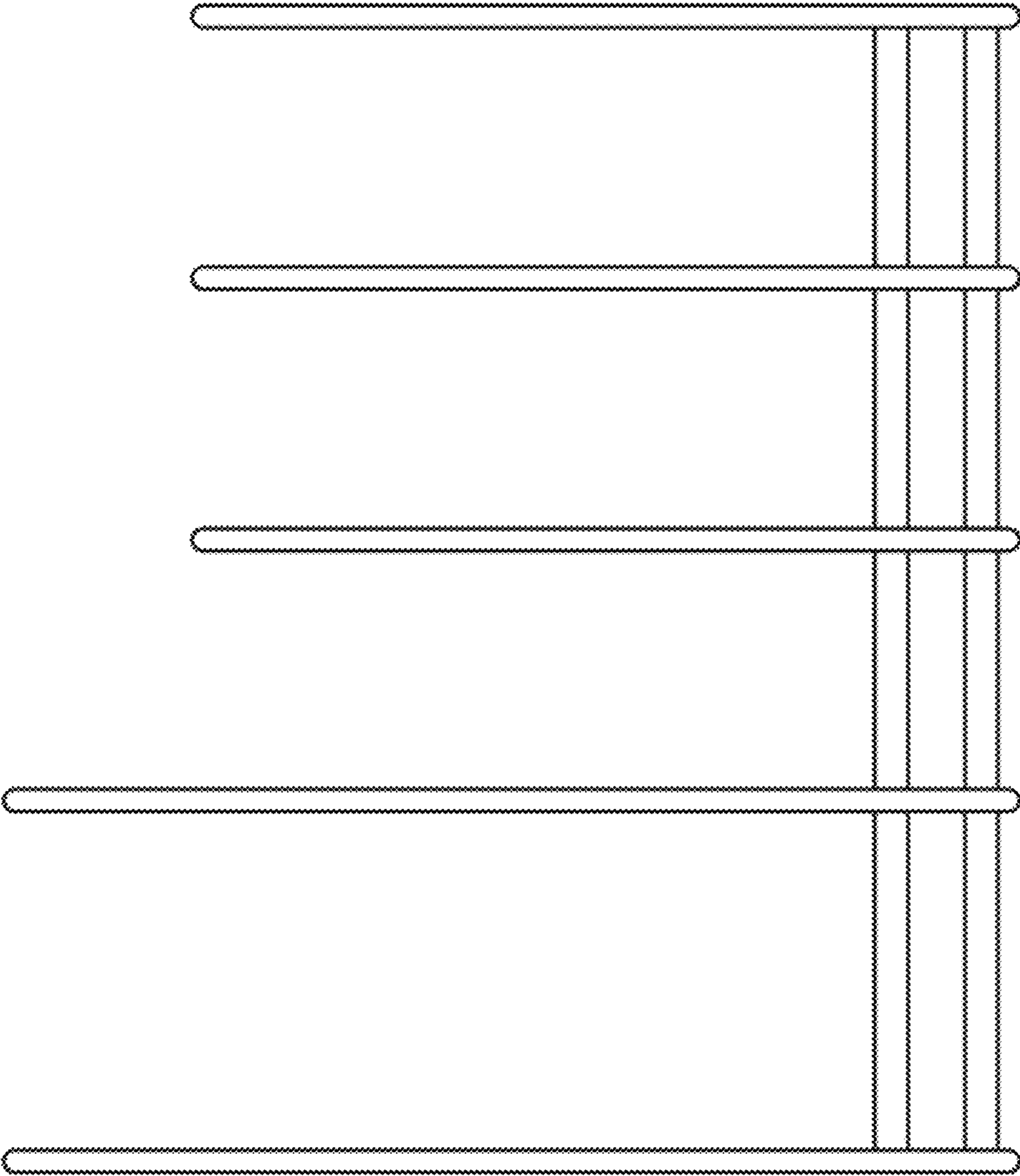


FIG. 4

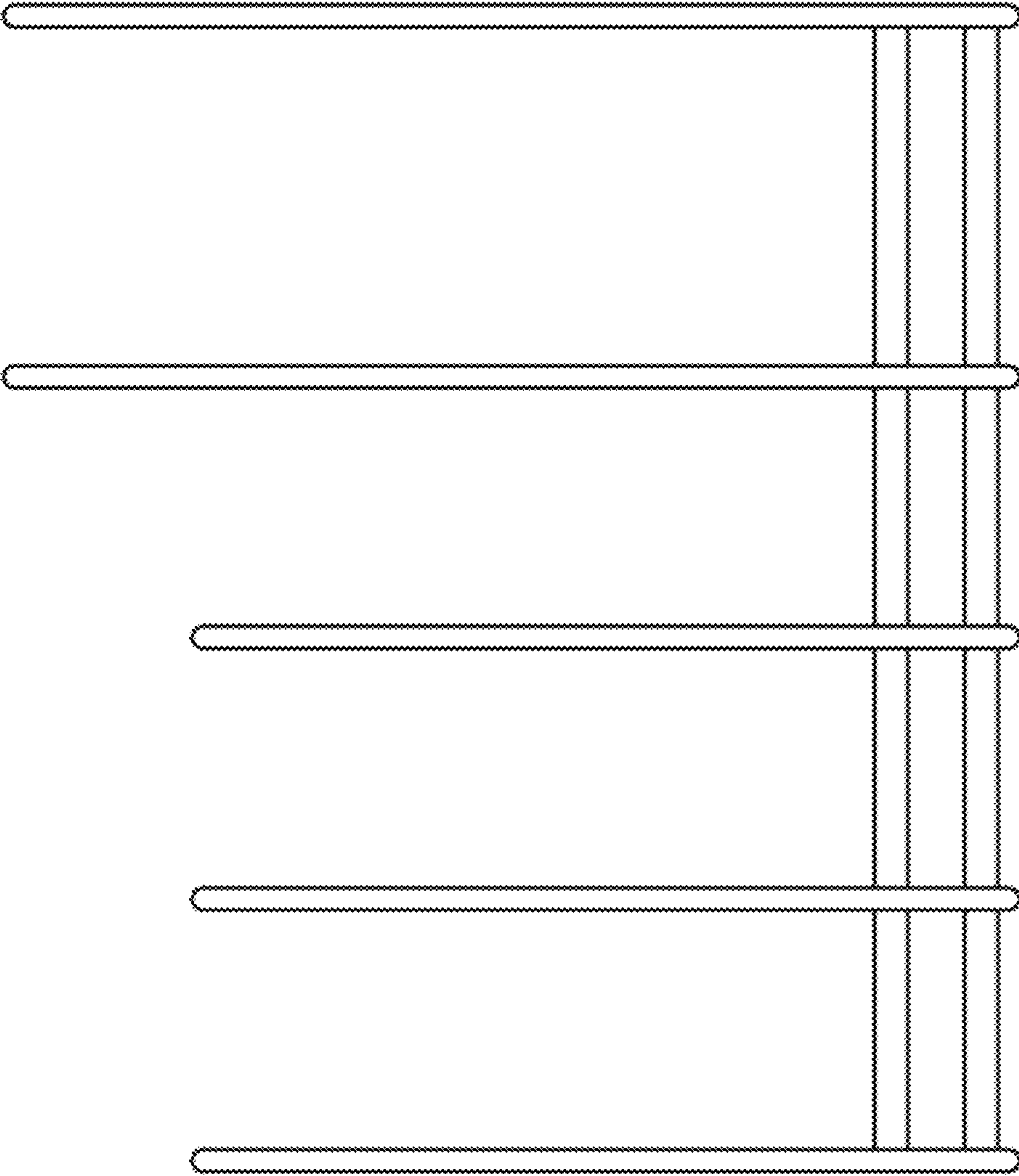


FIG. 5

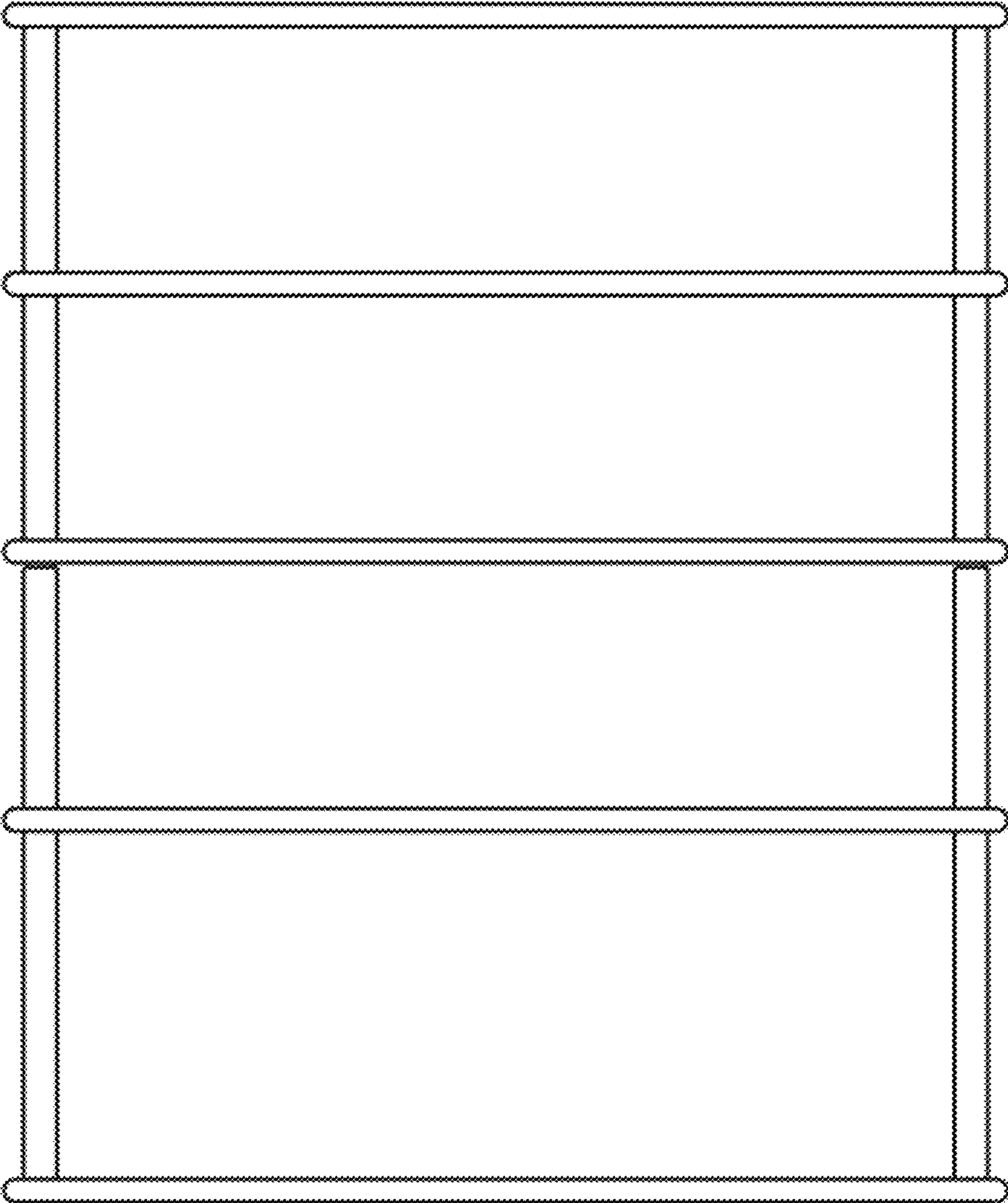


FIG. 6