



US00D927940S

(12) **United States Design Patent** (10) **Patent No.:** **US D927,940 S**
Callinan et al. (45) **Date of Patent:** **** Aug. 17, 2021**

(54) **CONTAINER ENCLOSURE** B65D 47/286; A45C 11/20; F25D 2331/803; F25D 3/08

(71) Applicant: **BottleKeeper, LLC**, Houston, TX (US) See application file for complete search history.

(72) Inventors: **Adam Callinan**, El Segundo, CA (US);
Matthew T. Campbell, Phoenix, AZ (US) (56)

References Cited

U.S. PATENT DOCUMENTS

3,717,282 A 2/1973 Nordskog
3,977,559 A 8/1976 Lombardi
(Continued)

(73) Assignee: **BottleKeeper, LLC**, Houston, TX (US)

(**) Term: **15 Years**

FOREIGN PATENT DOCUMENTS

(21) Appl. No.: **29/749,186**

CN 201309656 Y 9/2009
EM 000103262-0001 11/2003
(Continued)

(22) Filed: **Sep. 3, 2020**

Related U.S. Application Data

Primary Examiner — Terry A Wallace

(63) Continuation of application No. 29/707,679, filed on Sep. 30, 2019, now Pat. No. Des. 896,040, and a continuation of application No. 29/707,683, filed on Sep. 30, 2019, now Pat. No. Des. 896,041, which is a continuation of application No. 29/694,840, filed on Jun. 13, 2019, now Pat. No. Des. 862,178, said application No. 29/707,679 is a continuation of
(Continued)

(74) *Attorney, Agent, or Firm* — Quarles & Brady LLP

(57) **CLAIM**

The ornamental design for a container enclosure, as shown and described.

(51) **LOC (13) Cl.** **07-01**

(52) **U.S. Cl.**
USPC **D7/608; D7/510**

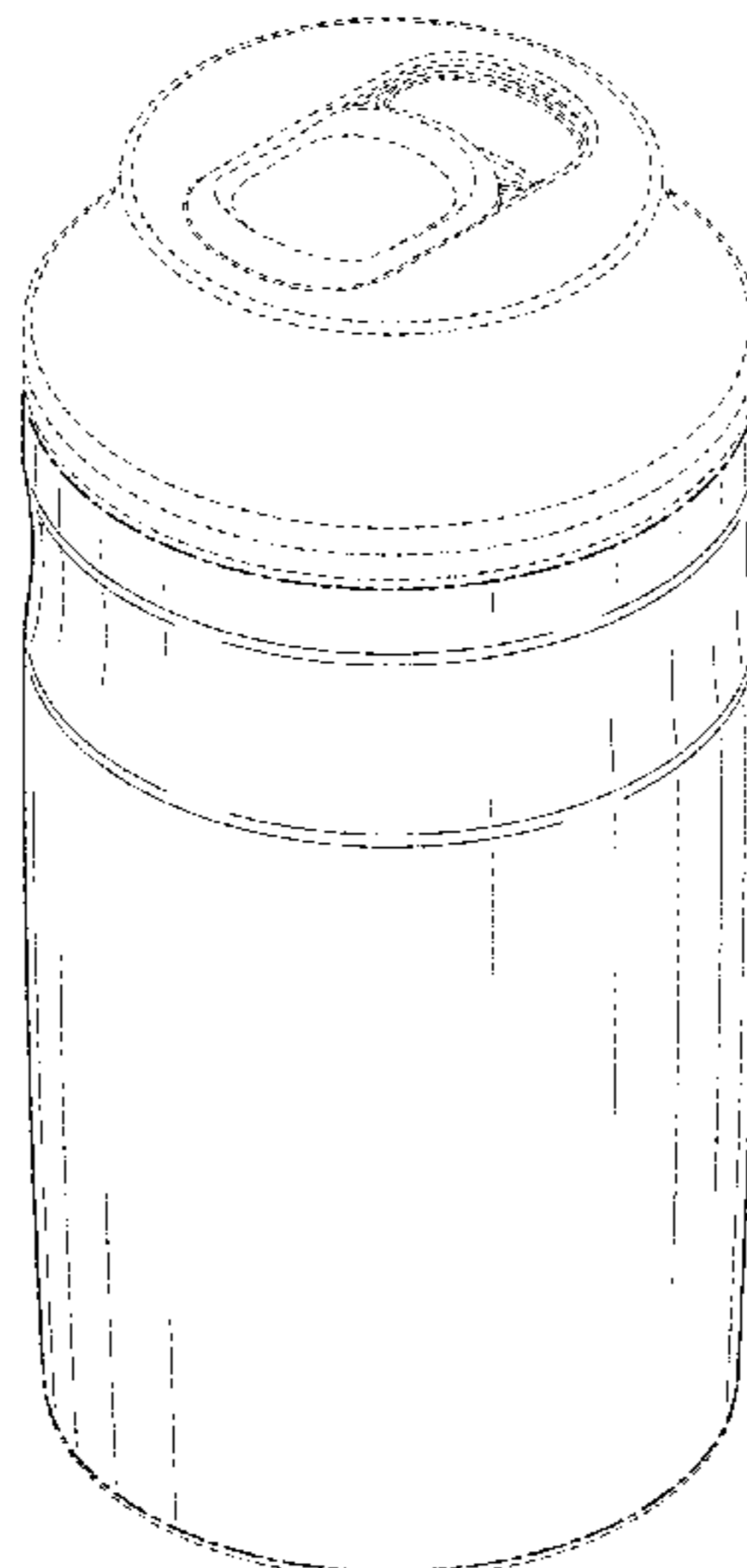
(58) **Field of Classification Search**
USPC D7/605–608, 509, 510, 511;
D9/500–505, 443, 516, 532, 522, 558,
D9/772, 763, 773, 779
CPC A47G 19/2205; A47G 2019/2294; A47G
19/23; A47G 19/2272; A47J 41/02; A47J
41/0005; A47J 41/0083; A47J 41/022;
A47J 41/024; A47J 41/026; A47J 41/028;
A47J 41/00; A47J 41/0077; B65D
81/3823; B65D 81/3818; B65D 81/3846;
B65D 81/3881; B65D 81/3886; B65D
81/38; B65D 81/3837; B65D 81/3839;
B65D 81/3841; B65D 81/3844; B65D
81/3869; B65D 81/3876; B65D 17/4012;

DESCRIPTION

FIG. 1 is an isometric view of a rear, top, and left side of an ornamental design for a container enclosure;
FIG. 2 is a front elevational view of the container enclosure of FIG. 1;
FIG. 3 is a rear elevational view of the container enclosure of FIG. 1;
FIG. 4 is a right side elevational view of the container enclosure of FIG. 1;
FIG. 5 is a left side elevational view of the container enclosure of FIG. 1; and,
FIG. 6 is a top plan view of the container enclosure of FIG. 1.

The dash-dash-dash lines are for the purpose of illustrating environmental structure and form no part of the claimed design. The dash-dot-dash lines form no part of the claimed design and represent boundary lines.

1 Claim, 4 Drawing Sheets



Related U.S. Application Data

application No. 29/694,838, filed on Jun. 13, 2019,
now Pat. No. Des. 864,672.

(56)

References Cited

U.S. PATENT DOCUMENTS

D262,439	S	12/1981	Atkinson et al.	
D263,024	S	2/1982	Atkinson et al.	
4,361,250	A	11/1982	Foster	
D275,834	S	10/1984	Slade	
4,629,088	A	12/1986	Durgin	
D290,688	S	7/1987	Moloney et al.	
4,782,964	A	11/1988	Poore et al.	
4,790,444	A	12/1988	Terzi	
4,809,874	A	3/1989	Pehr	
4,927,047	A	5/1990	Stuber et al.	
D310,025	S	8/1990	Foley	
4,949,865	A	8/1990	Turner	
4,982,855	A	1/1991	Hertrampf	
4,989,746	A	2/1991	Pierce	
5,031,784	A	7/1991	Wright	
D324,492	S	3/1992	Nickerson	
D324,493	S	3/1992	Nickerson	
5,110,002	A	5/1992	Tucker	
5,145,646	A	9/1992	Tyranski	
5,203,467	A	4/1993	Tucker	
D343,579	S	1/1994	Halasz et al.	
5,305,900	A	4/1994	Maguire et al.	
D353,336	S	12/1994	Caliendo et al.	
D353,337	S	12/1994	Halasz et al.	
5,458,232	A	10/1995	Novak et al.	
5,462,189	A	10/1995	Pierce	
D370,632	S	6/1996	Stonehouse	
D370,633	S	6/1996	Stonehouse	
D371,075	S	6/1996	Stonehouse	
5,740,940	A	4/1998	Weiss	
5,762,228	A	6/1998	Morgan et al.	
D404,974	S	2/1999	Kristinik	
5,971,232	A	10/1999	Rohr et al.	
D432,015	S	10/2000	Holiday	
6,155,452	A	12/2000	Laurent	
D441,172	S	4/2001	Snyder	
D444,385	S	7/2001	Dixon, I	
D451,027	S	11/2001	Dugrot	
RE38,816	E	10/2005	Baudin	
D513,939	S	* 1/2006	Leonzo D7/608	
D519,313	S	4/2006	Ringuet	
D522,880	S	6/2006	Fuller et al.	
D526,308	S	8/2006	Kasden	
D530,685	S	10/2006	Dupuis	
D531,055	S	10/2006	Munn	
D537,736	S	3/2007	Munn	
D568,151	S	5/2008	Moffat et al.	
D578,392	S	10/2008	Khalil	
D589,757	S	4/2009	Mancha, Jr. et al.	
D589,758	S	4/2009	Mancha et al.	
D590,212	S	4/2009	Mancha, Jr. et al.	
D605,060	S	12/2009	Reimer	
7,753,240	B2	7/2010	Leoncavallo et al.	
D623,963	S	* 9/2010	Fairchild, Jr. D9/772	
D641,239	S	7/2011	Ramsey et al.	
D641,622	S	7/2011	Fields	
D647,400	S	10/2011	Fields	
D649,049	S	11/2011	Fields	
D653,538	S	2/2012	Toms et al.	
D668,154	S	10/2012	Milne et al.	
D671,843	S	12/2012	Plosky et al.	
D672,235	S	12/2012	Chapin	
D688,553	S	8/2013	Winstanley et al.	
D696,582	S	12/2013	Ramsey et al.	
D704,555	S	5/2014	Hernandez	
8,985,371	B2	3/2015	Zabaleta et al.	
D731,311	S	6/2015	Ramsey et al.	
D732,402	S	6/2015	Jones et al.	
D738,225	S	9/2015	Kim et al.	
D738,226	S	9/2015	Kovaleski	

D751,338	S	3/2016	Seiders et al.	
D751,339	S	3/2016	Seiders et al.	
D751,340	S	3/2016	Seiders et al.	
9,272,819	B1	3/2016	Zabaleta et al.	
D760,092	S	6/2016	Goldman et al.	
D767,410	S	* 9/2016	Pajauskas D9/773	
9,475,619	B2	10/2016	Procter	
9,492,024	B2	11/2016	Sorensen et al.	
9,493,279	B2	11/2016	Mackenzie et al.	
D778,734	S	2/2017	Odikor	
D786,703	S	5/2017	Chapman et al.	
D787,952	S	5/2017	Jacober et al.	
9,655,463	B2	5/2017	Madala	
D802,362	S	11/2017	Spivey et al.	
D803,684	S	11/2017	Seiders et al.	
D815,893	S	4/2018	Seiders et al.	
10,005,608	B1	6/2018	Jacob	
D836,395	S	12/2018	Seiders et al.	
D850,291	S	6/2019	Bidzinashvili	
10,414,555	B2	9/2019	Steinmann et al.	
D867,057	S	11/2019	Spivey et al.	
10,486,868	B2	11/2019	Spivey et al.	
10,677,516	B2	6/2020	Huisman	
2003/0136803	A1	7/2003	Kuwano et al.	
2003/0222083	A1	12/2003	Pladsbjerg	
2005/0127076	A1	6/2005	Law et al.	
2007/0095845	A1	5/2007	Auer	
2007/0138176	A1	6/2007	Gawlick	
2007/0164027	A1	7/2007	Auer	
2007/0175931	A1	8/2007	Leoncavallo et al.	
2008/0078763	A1	4/2008	Auer	
2009/0232947	A1	9/2009	Buisson et al.	
2011/0297689	A1	12/2011	Reed et al.	
2013/0068765	A1	3/2013	Procter	
2013/0126369	A1	5/2013	Gamelli	
2017/0297785	A1	10/2017	Maruyama et al.	
2019/0135502	A1	5/2019	Tsai	

FOREIGN PATENT DOCUMENTS

EM	000154299-0002	3/2004
EM	000175039-0001	5/2004
EM	000228184-0007	9/2004
EM	000230990-0009	9/2004
EM	000237060-0001	9/2004
EM	000310180-0005	3/2005
EM	000439369-0001	11/2005
EM	000556055-0001	6/2006
EM	000564240-0002	7/2006
EM	000673348-0005	2/2007
EM	000692223-0004	3/2007
EM	000813878-0001	10/2007
EM	000856315-0003	1/2008
EM	000863105-0001	1/2008
EM	000966098-0001	7/2008
EM	001730847-0002	7/2010
EM	001758970-0001	9/2010
EM	001814138-0002	2/2011
EM	001825175-0001	2/2011
EM	001263628-0001	3/2011
EM	001845280-0001	4/2011
EM	001859356-0001	5/2011
EM	001901588-0003	8/2011
EM	001953605-0003	11/2011
EM	001958539-0001	12/2011
EM	001959271-0001	12/2011
EM	001960295-0002	12/2011
EM	002031997-0004	4/2012
EM	002036848-0001	5/2012
EM	002091363-0001	8/2012
EM	002134718-0005	11/2012
EM	002157305-0002	12/2012
EM	002186544-0006	2/2013
EM	002202093-0001	3/2013
EM	002221531-0002	4/2013
EM	002238402-0002	5/2013
EM	002245621-0001	5/2013
EM	002286732-0001	8/2013
EM	002306084-0008	9/2013

(56)

References Cited

FOREIGN PATENT DOCUMENTS

EM	002306183-0001		9/2013
EM	002326587-0001		10/2013
EM	001404107-0001		2/2014
EM	0025289270001		9/2014
EM	0026034640001		12/2014
EM	002653469-0002		3/2015
EM	002659086-0001		3/2015
EM	002659268-0001		3/2015
EM	002659300-0001		3/2015
EM	002711879-0001		6/2015
EM	002733584-0004		7/2015
EM	001439202-0004		9/2015
EM	003056654-0002		4/2016
EM	003061159-0002		4/2016
EM	003061258-0003		4/2016
EM	003526227-0003		12/2016
EM	003825249-0003		3/2017
FR	2736620	A1	1/1997
JP	5651326	B2	1/2015
KR	200479685	Y1	3/2016
WO	030087-001		7/1994
WO	061988-001		10/2002
WO	067852-005		9/2004
WO	2007085674	A1	8/2007
WO	081845-008		10/2013

* cited by examiner

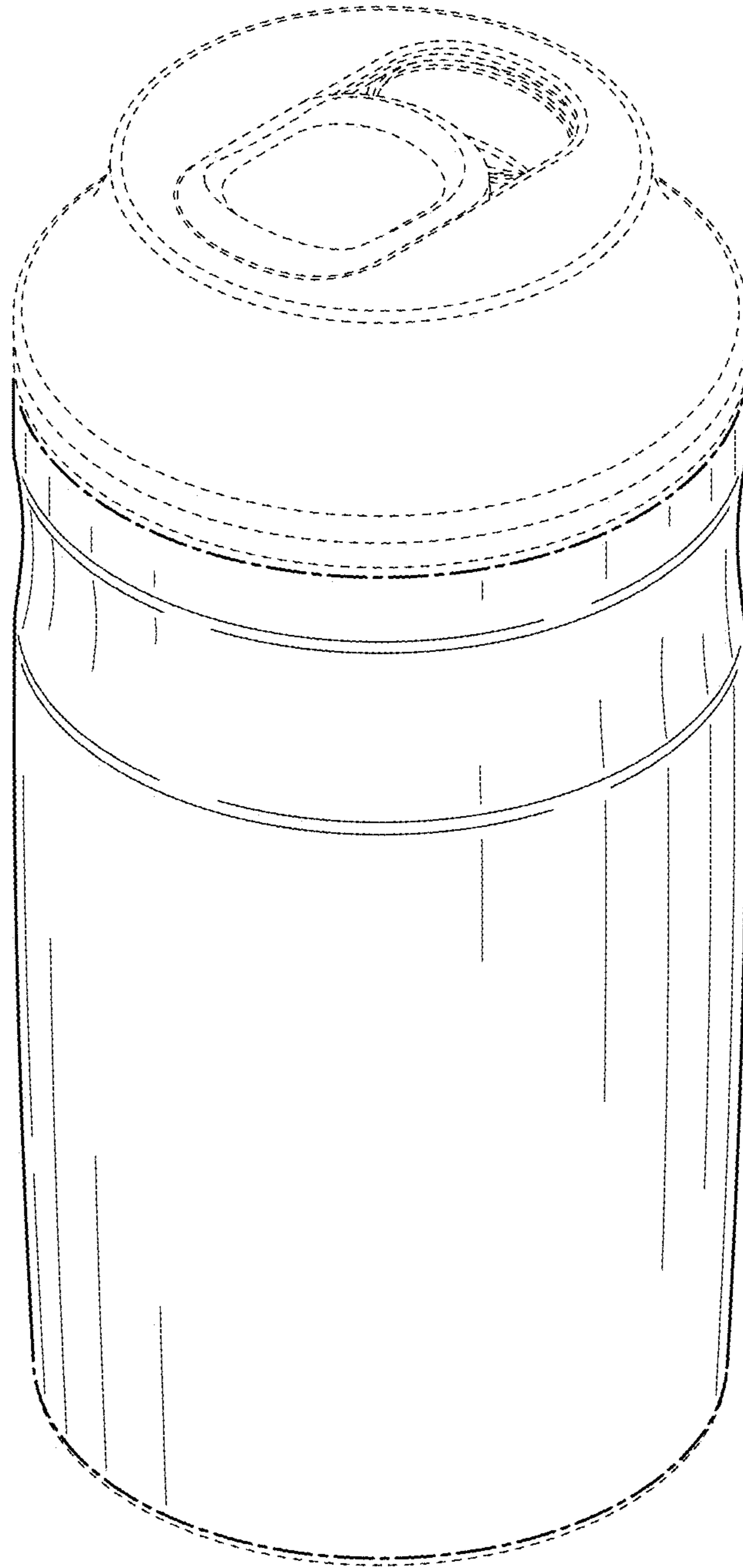


FIG. 1

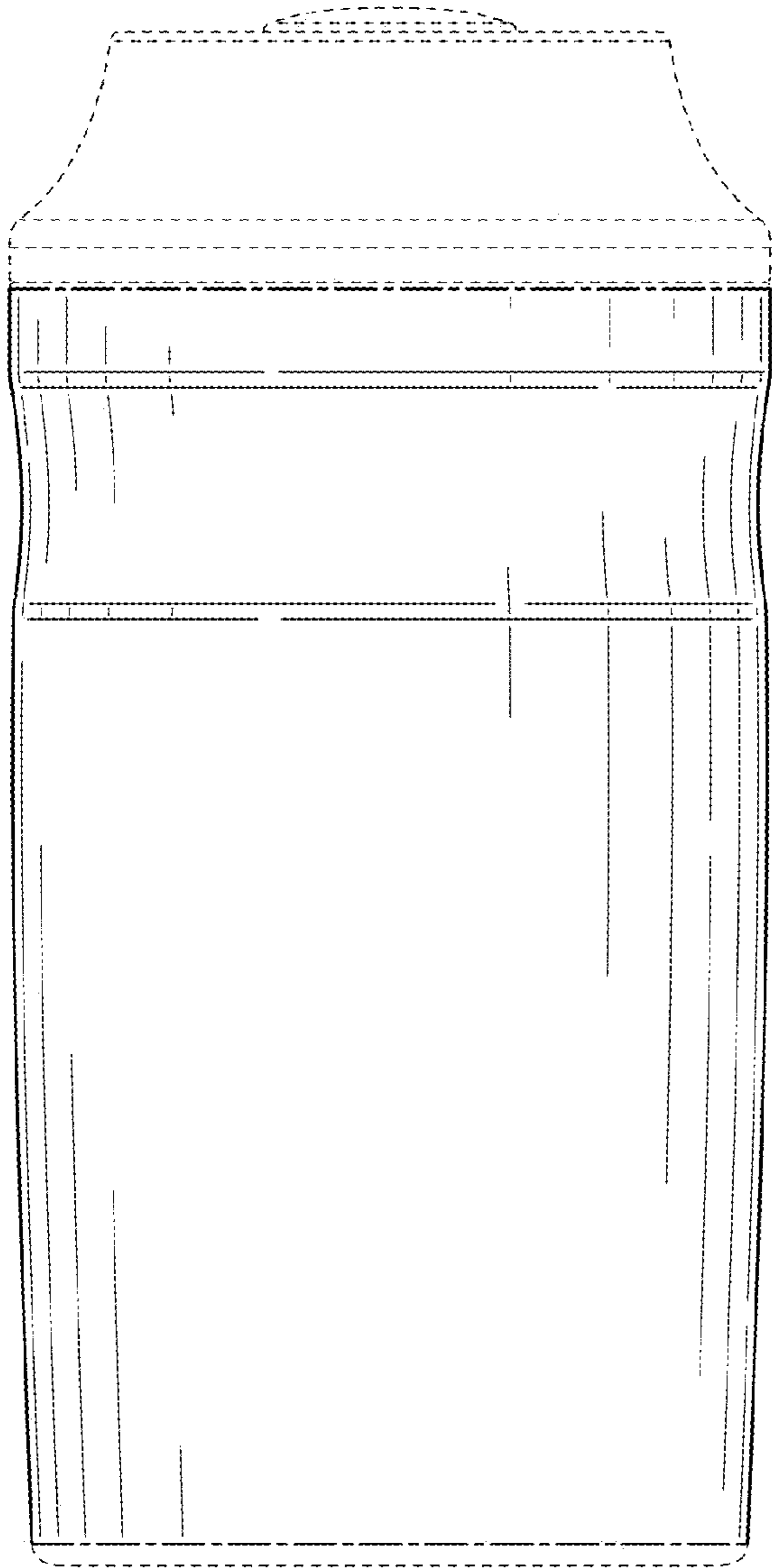


FIG. 2

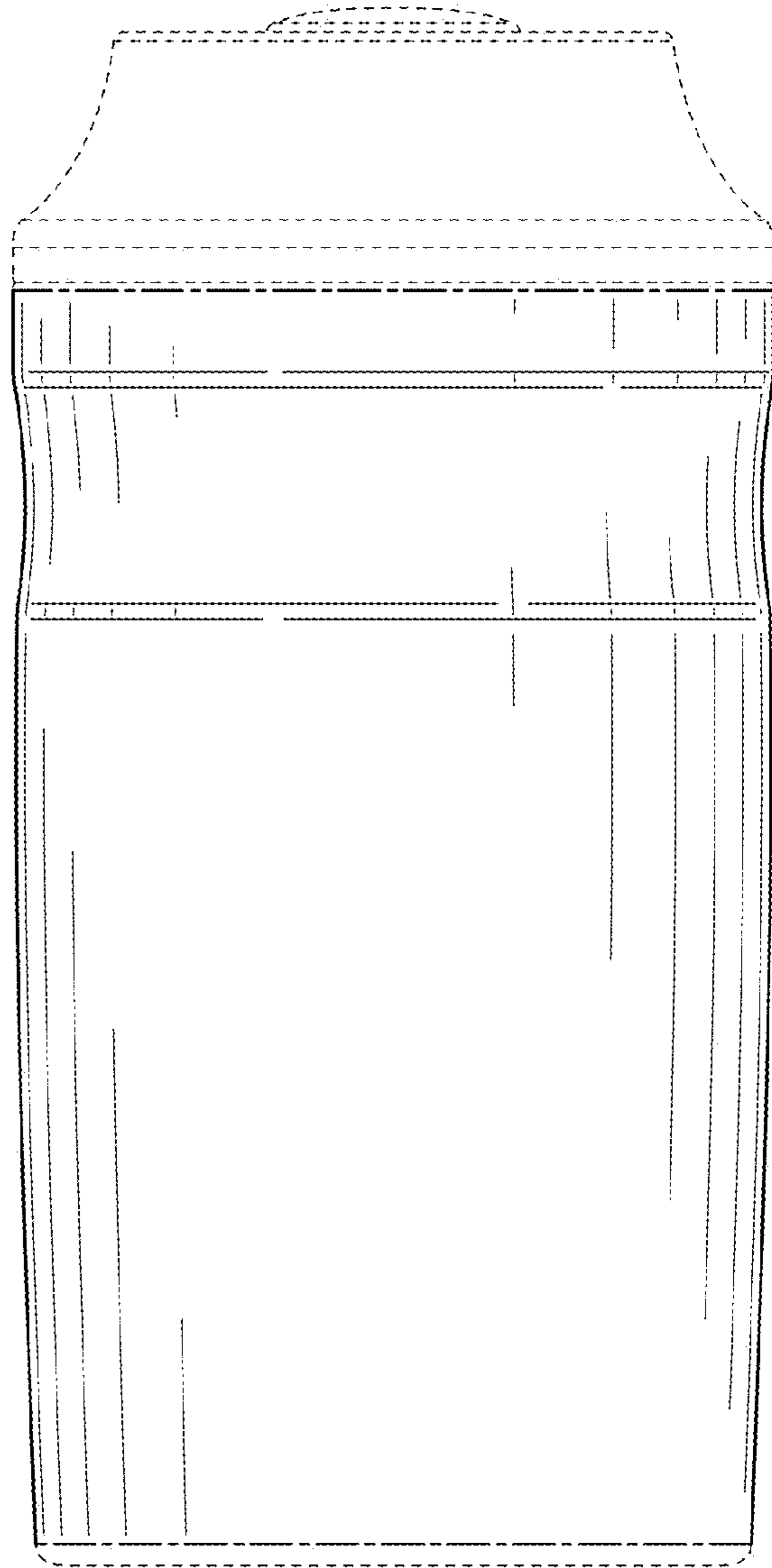


FIG. 3

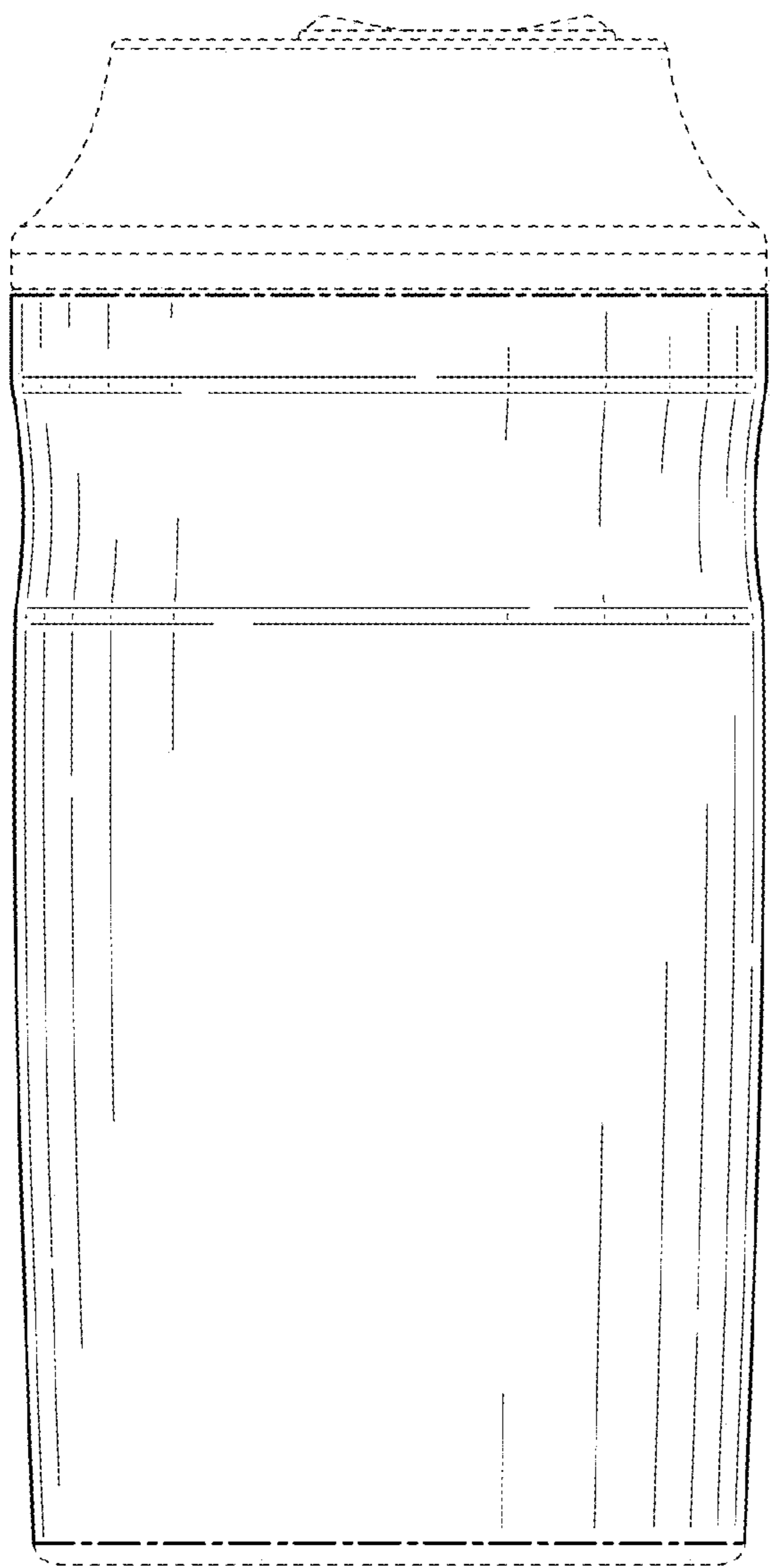


FIG. 4

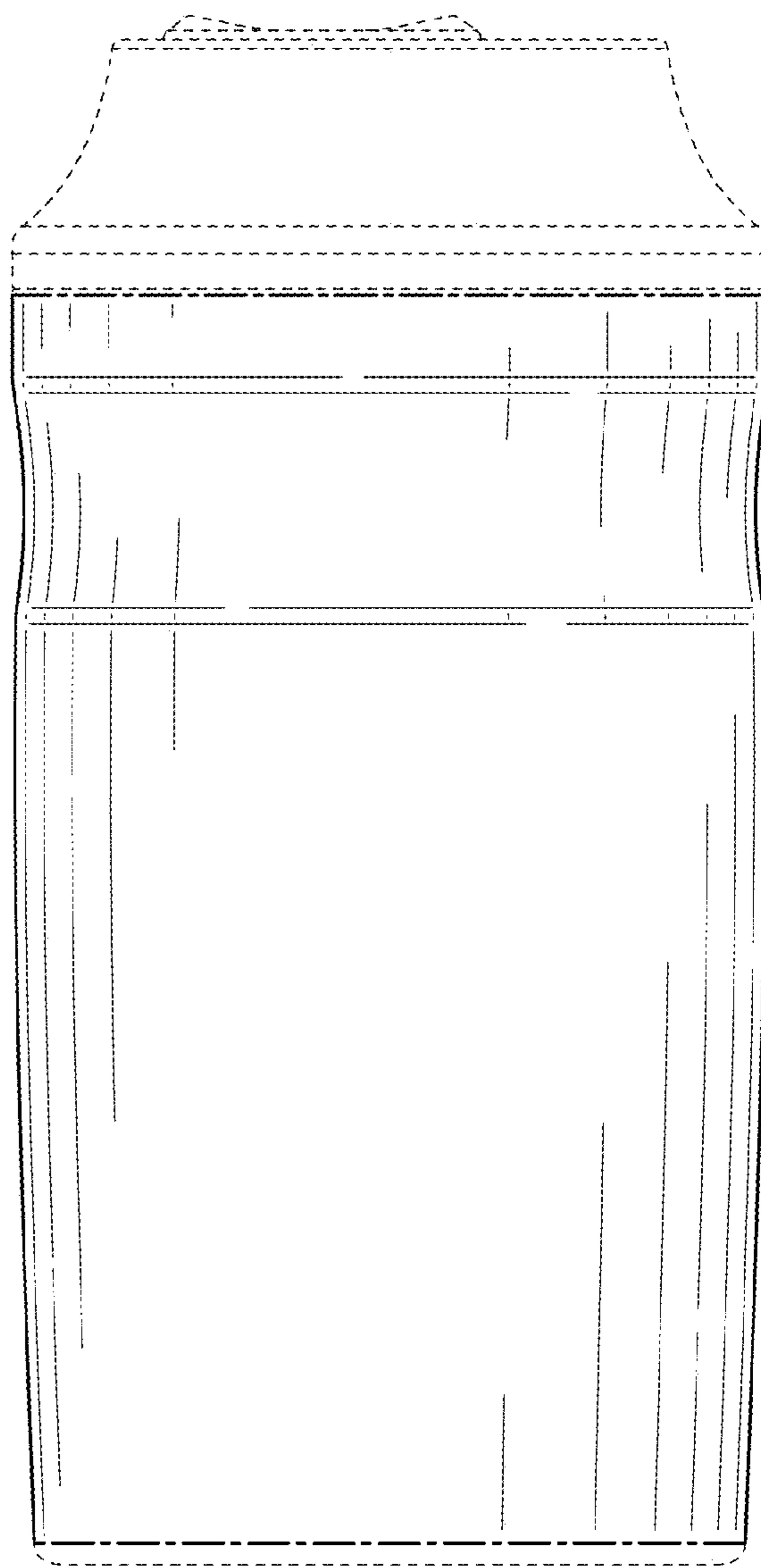


FIG. 5

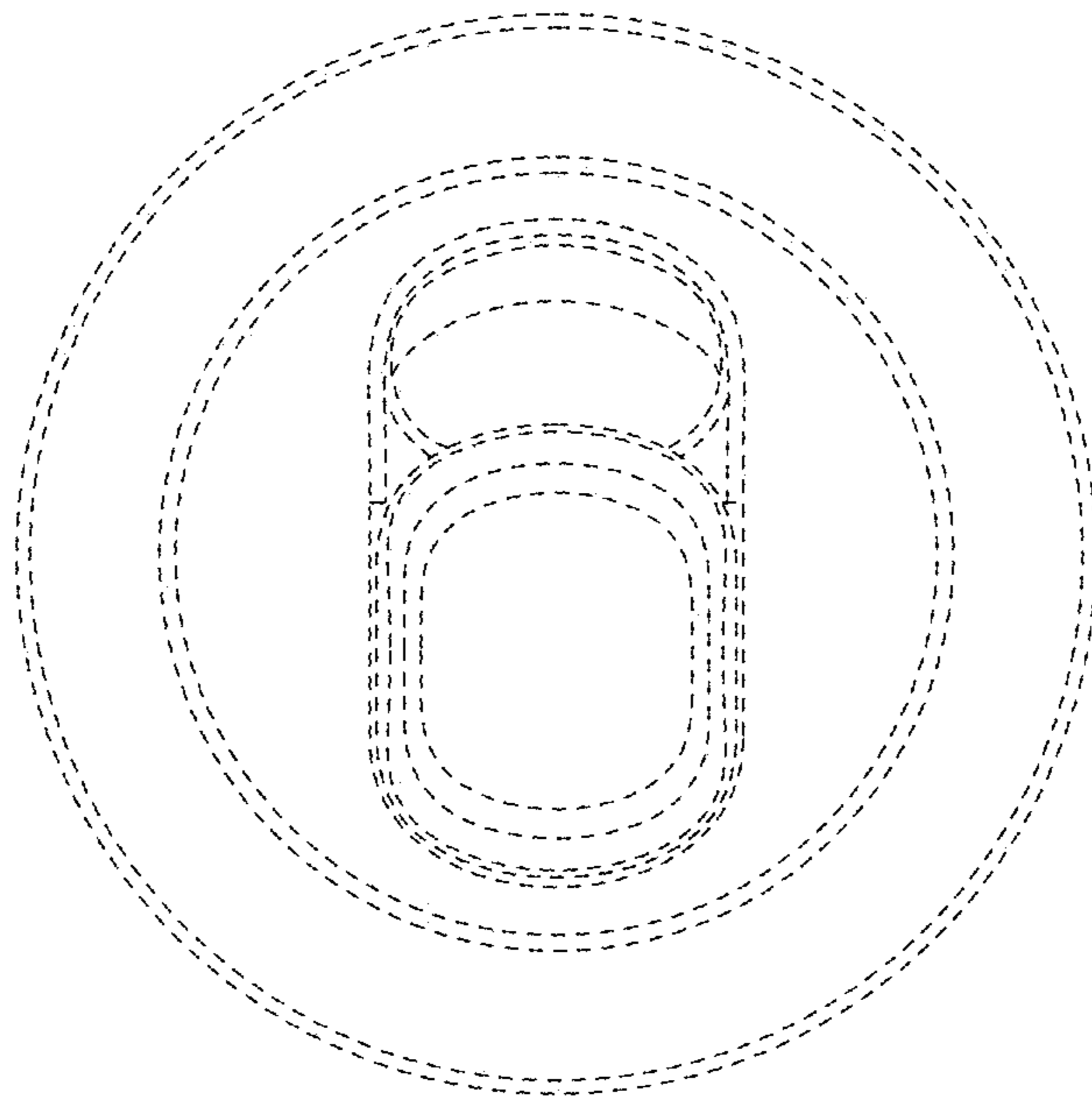


FIG. 6