



US00D927938S

(12) **United States Design Patent** (10) **Patent No.:** **US D927,938 S**
Meda et al. (45) **Date of Patent:** **** Aug. 17, 2021**

(54) **COOLER**

FOREIGN PATENT DOCUMENTS

(71) Applicant: **Dometic Sweden AB**, Solna (SE)
(72) Inventors: **Samuele Meda**, Solna (SE); **Mikael Thelin**, Huddinge (SE); **Kingda Wang**, Zhuhai (CN); **Steven Elliott**, Varsity Lakes (AU)

AU 201712770 S 5/2017
AU 201712777 S 5/2017

(Continued)

(73) Assignee: **Dometic Sweden AB**, Solna (SE)

OTHER PUBLICATIONS

Notification to Grant Patent Right for CN Design Application No. 201930331393.8 dated Oct. 29, 2019.

(Continued)

(**) Term: **15 Years**

Primary Examiner — Terry A Wallace

(21) Appl. No.: **29/697,070**

(74) *Attorney, Agent, or Firm* — Middleton Reutlinger

(22) Filed: **Jul. 3, 2019**

(57)

CLAIM

The ornamental design for a cooler, as shown and described.

(30) **Foreign Application Priority Data**

DESCRIPTION

Jan. 4, 2019 (EM) 005948601

(51) **LOC (13) Cl.** **07-01**

(52) **U.S. Cl.**
USPC **D7/605**

(58) **Field of Classification Search**
USPC D7/603–608, 629, 630; D3/272–274;
D15/79, 81

CPC .. A45C 11/20; A45C 9/00; A45C 5/14; A45C
5/03; F25D 3/14; F25D 3/08; F25D 3/12;
F25D 3/00; F25D 3/02; F25D 3/06; F25D
3/107; F25D 2400/08; F25D 31/005;
F25D 11/003; F25D 11/006; B65D

(Continued)

(56) **References Cited**

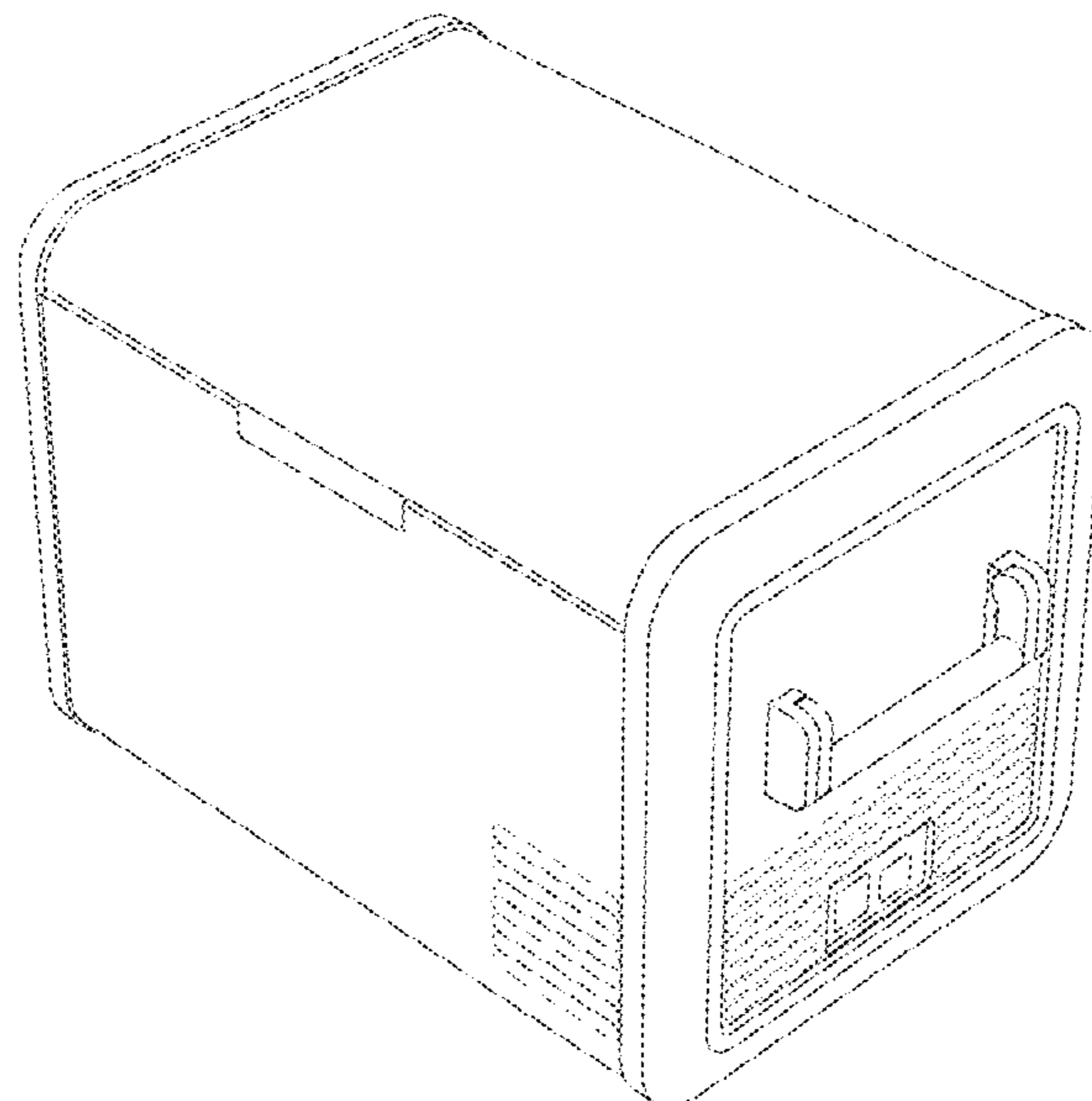
U.S. PATENT DOCUMENTS

2,492,601 A 12/1949 Steel
2,642,728 A 6/1953 Thomaras

(Continued)

FIG. 1 is a front perspective view of a cooler design;
FIG. 2 is a rear perspective view of the cooler design of FIG. 1;
FIG. 3 is a front view of the cooler design of FIG. 1;
FIG. 4 is a rear view of the cooler design of FIG. 1;
FIG. 5 is a first side view of the cooler design of FIG. 1;
FIG. 6 is a second side view of the cooler design of FIG. 1;
FIG. 7 is a top view of the cooler design of FIG. 1;
FIG. 8 is a front perspective view of the cooler design with the lid in an open position;
FIG. 9 is a rear perspective view of the cooler design of FIG. 8;
FIG. 10 is a front view of the cooler design of FIG. 8;
FIG. 11 is a rear view of the cooler design of FIG. 8;
FIG. 12 is a first side view of the cooler design of FIG. 8;
FIG. 13 is a second side view of the cooler design of FIG. 8; and,
FIG. 14 is a top view of the cooler design of FIG. 8.
The broken line disclosure represents unclaimed boundary and/or portions of the cooler in which the design is embodied.

1 Claim, 14 Drawing Sheets



(58) **Field of Classification Search**

CPC 81/3813; B65D 81/3823; B65D 81/3888;
 B65D 81/3889; B65D 81/3816; B65D
 81/3858; B65D 81/3818; B65D 81/38;
 F24D 2331/804; A47J 41/022; A47G
 19/2288; F25B 19/00

See application file for complete search history.

2016/0101924 A1 4/2016 Mitchell et al.
 2016/0187046 A1 6/2016 Chen et al.
 2017/0023290 A1 1/2017 DeMuth et al.
 2017/0108253 A1 4/2017 Monroy
 2018/0100682 A1* 4/2018 Nilsen F25D 16/00
 2018/0141718 A1 5/2018 Ahlstrom et al.
 2018/0306479 A1 10/2018 Vazquez
 2019/0161240 A1 5/2019 Ahlstrom et al.
 2020/0062454 A1 2/2020 Duong et al.
 2020/0216229 A1 7/2020 Guan et al.
 2020/0217571 A1 7/2020 Guan et al.
 2020/0217574 A1 7/2020 Thelin et al.
 2020/0217575 A1 7/2020 Thelin et al.
 2020/0217576 A1 7/2020 Guan et al.
 2020/0217578 A1 7/2020 Wang et al.

(56) **References Cited**

U.S. PATENT DOCUMENTS

2,715,817 A 8/1955 Brodheim
 3,796,063 A 3/1974 Wulke et al.
 4,468,932 A * 9/1984 Bullard F25D 3/08
 62/421
 5,319,937 A * 6/1994 Fritsch F25B 21/04
 292/DIG. 28
 D349,007 S * 7/1994 Costello D7/605
 5,407,218 A 4/1995 Jackson
 5,676,296 A 10/1997 Masters
 5,860,281 A * 1/1999 Coffee H01L 35/00
 62/3.62
 5,897,435 A 4/1999 Thomas et al.
 6,474,097 B2 11/2002 Treppedi et al.
 D497,517 S 10/2004 Reuter
 D500,057 S 12/2004 Reuter
 7,143,601 B1 12/2006 Jimenez
 D534,771 S 1/2007 Zorn
 7,415,794 B1 8/2008 Thompson
 7,617,699 B1 11/2009 Parmely
 7,913,849 B2 3/2011 Pedrazzi et al.
 8,210,819 B2 7/2012 Wiebe et al.
 8,312,816 B2 11/2012 Vaccarella
 D712,720 S 9/2014 Seiders
 D712,721 S 9/2014 Seiders
 D712,722 S 9/2014 Seiders
 D712,723 S 9/2014 Seiders
 D714,125 S 9/2014 Seiders
 8,910,819 B2 12/2014 Seiders
 D722,474 S 2/2015 Seiders
 D722,475 S 2/2015 Seiders
 D732,348 S 6/2015 Seiders et al.
 D732,349 S 6/2015 Seiders et al.
 D732,350 S 6/2015 Seiders et al.
 D732,899 S 6/2015 Seiders et al.
 9,137,232 B2 9/2015 Eschbach et al.
 9,139,352 B2 9/2015 Seiders et al.
 9,163,871 B1 10/2015 Costello
 9,187,232 B2 11/2015 Seiders
 9,220,250 B1 12/2015 Davis
 9,232,290 B2 1/2016 Besay
 D752,347 S 3/2016 Seiders et al.
 9,320,938 B1 4/2016 Belmore
 D792,486 S 7/2017 Li et al.
 D802,028 S 11/2017 Li
 D802,029 S 11/2017 Li
 D802,630 S 11/2017 Li et al.
 9,951,986 B1 4/2018 Turner
 D820,049 S 6/2018 Ahlstrom et al.
 D836,993 S 1/2019 Meda et al.
 D836,994 S 1/2019 Meda et al.
 D844,386 S 4/2019 Ahlstrom et al.
 D887,788 S 6/2020 Meda et al.
 D888,503 S 6/2020 Meda et al.
 D894,043 S 8/2020 Meda et al.
 D901,986 S 11/2020 Meda et al.
 2009/0126419 A1 5/2009 Yoon et al.
 2010/0251730 A1* 10/2010 Whillock, Sr. F25D 11/003
 62/3.63
 2011/0226785 A1 9/2011 Sakell
 2015/0008242 A1 1/2015 Kpabar
 2015/0021106 A1 1/2015 LaRosa
 2015/0114024 A1 4/2015 Grepper
 2015/0241107 A1 8/2015 Mech
 2015/0322698 A1 11/2015 Seiders
 2015/0353263 A1 12/2015 Seiders et al.

FOREIGN PATENT DOCUMENTS

AU 201712780 S 5/2017
 AU 201712782 S 5/2017
 AU 201712791 S 5/2017
 AU 201712799 S 5/2017
 AU 201712802 S 5/2017
 AU 201712803 S 5/2017
 AU 201712785 S 7/2017
 AU 201716789 S 11/2017
 AU 201716791 S 11/2017
 AU 201717667 1/2018
 AU 201717669 S 1/2018
 AU 201717670 S 1/2018
 AU 201717674 S 1/2018
 AU 201717676 S 1/2018
 AU 201717662 2/2018
 AU 201816061 S 1/2019
 AU 201910011 2/2019
 AU 201913598 8/2019
 AU 201913601 8/2019
 AU 201913603 8/2019
 AU 201913604 8/2019
 AU 201913607 8/2019
 AU 201913624 8/2019
 AU 201913626 8/2019
 AU 201913627 8/2019
 AU 201913631 8/2019
 AU 201913633 8/2019
 AU 2019284129 7/2020
 AU 2019284130 7/2020
 CN 101074057 A 11/2007
 CN 206488529 U 9/2017
 CN 107804580 A 3/2018
 CN 207081259 U 3/2018
 CN 208312853 U 1/2019
 CN 106233083 B 7/2019
 CN 305240920 7/2019
 CN 110191654 A 8/2019
 CN 209893773 U 1/2020
 CN 305553099 S 1/2020
 CN 305751278 5/2020
 CN 306079204 9/2020
 DE 666767 C 10/1938
 DE 20110247 U1 11/2002
 DE 202004010081 U1 8/2004
 DE 19981898 B3 7/2005
 DE 202007001638 U1 5/2007
 DE 202009015164 3/2010
 DE 102011100722 A1 11/2012
 DE 202014000386 5/2014
 DE 202013007655 U1 12/2014
 DE 112017005901 T5 8/2019
 DE 102019200065 A1 7/2020
 DE 102019200068 A1 7/2020
 EM 005230802-001 4/2018
 EM 005230802-002 4/2018
 EM 001470413-0001 1/2019
 EM 001470413-0002 1/2019
 EM 005948601-0001 1/2019
 EM 005948601-0002 1/2019
 EM 005948601-0003 1/2019
 EM 005948601-0004 1/2019

(56)

References Cited

FOREIGN PATENT DOCUMENTS

EM	005948601-0005	1/2019
EM	005948601-0006	1/2019
EM	005948601-0007	1/2019
EM	005948601-0008	1/2019
EM	005948601-0009	1/2019
EM	005948601-0010	1/2019
EM	005948601-0011	1/2019
EM	005948601-0012	1/2019
EM	005948601-0013	1/2019
EM	005948601-0014	1/2019
EM	005948601-0015	1/2019
EM	005948601-0016	1/2019
EM	005948601-0017	1/2019
EM	005948601-0018	1/2019
EM	005948601-0019	1/2019
EM	005948601-0020	1/2019
EM	005948601-0021	1/2019
EM	005948601-0022	1/2019
EM	005948601-0023	1/2019
EM	005948601-0024	1/2019
EM	005948601-0027	1/2019
EM	005948601-0028	1/2019
EM	005948601-0029	1/2019
EM	005948601-0030	1/2019
EP	2772704 A1	9/2014
GB	432256 A	7/1935
GB	2419177 A	4/2006
JP	H1194417 A	4/1999
KR	1020050042093 A	5/2005
WO	9936324 A1	7/1999
WO	2014131679 A1	9/2014
WO	2017071654 A1	5/2017
WO	2018095957 A1	5/2018
WO	2018231826 A1	12/2018
WO	2018233611 A1	12/2018
WO	2019206219 A1	10/2019

OTHER PUBLICATIONS

CN Patent Application No. 201911066985.7 entitled "Cover for a Cooler" filed Nov. 4, 2019.
 DE Patent Application No. 102019200063.0 entitled "Mobile Cooling Box with User Interface Module" filed Jan. 4, 2019.
 DE Patent Application No. 102019200064.9 entitled "Mobile Cooling Box with Latch Handle Opening" filed Jan. 4, 2019.
 DE Patent Application No. 102019200070.3 entitled "Mobile Cooling Box With Hinge Module" filed Jan. 4, 2019.
 Design U.S. Appl. No. 29/711,905 entitled "Cover for a Cooler" filed Nov. 4, 2019.
 Design U.S. Appl. No. 29/711,906 entitled "Cover for a Cooler" filed Nov. 4, 2019.
 U.S. Appl. No. 16/728,715 entitled "Mobile Cooling Box with Ice Maker" filed on Dec. 27, 2019.
 U.S. Appl. No. 16/728,623 entitled "Mobile Cooling Box with User Interface Module" filed Dec. 27, 2019.
 U.S. Appl. No. 16/728,687 entitled "Mobile Cooling Box with Latch Handle Opening" filed Dec. 27, 2019.
 U.S. Appl. No. 16/728,657 entitled "Mobile Cooling Box with Hinge Module" filed Dec. 27, 2019.
 CN Design application No. 201930331393.8 entitled "Cooler" filed on Jun. 25, 2019.
 DE Design Application No. 102019200067.3 entitled "Mobile Cooling Box With Ice Maker" filed Jan. 4, 2019.
 Design U.S. Appl. No. 29/697,071 entitled "Cooler" filed Jul. 3, 2019.
 Design U.S. Appl. No. 29/697,069 entitled "Cooler" filed Jul. 3, 2019.
 AU Patent Application No. 202012545 entitled "Cover for Cooler" filed May 1, 2020.
 AU Patent Application No. 202012548 entitled "Cover for Cooler" filed Apr. 30, 2020.

European Design Application No. 007847777-0002 "CFX3 Protective covers" filed Apr. 30, 2020.
 Decision to Grant DE Patent Application No. 102019200064.9 dated Jul. 31, 2020.
 Decision to Grant DE Patent Application No. 102019200063.0 dated Aug. 4, 2020.
 Restriction Requirement for Design U.S. Appl. No. 29/697,069 dated Sep. 24, 2020.
 AU Patent Application No. 2019284133 entitled "Mobile cooling box with ice maker" filed Dec. 30, 2019.
 AU Patent Application No. 2019284131 entitled "Mobile cooling box with hinge moduler" filed Dec. 30, 2019.
 Design U.S. Appl. No. 29/708,156, filed Oct. 3, 2019 titled "Latch".
 Design U.S. Appl. No. 29/605,186, filed May 24, 2017 titled "Refrigerating Apparatus".
 Design U.S. Appl. No. 29/650,910, filed Jun. 11, 2018 titled "Zipper Pul".
 Design U.S. Appl. No. 29/650,906, filed Jun. 11, 2018 titled "Soft Bag Cooler".
 U.S. Appl. No. 16/728,604, filed Dec. 27, 2019 titled "Mobile Cooling Box with Handle Module".
 U.S. Appl. No. 16/728,646, filed Dec. 27, 2019 titled "Mobile Cooling Box with Air Vents".
 Design U.S. Appl. No. 29/585,279, filed Nov. 22, 2016 titled "Latch".
 Design U.S. Appl. No. 29/708,155, filed Oct. 3, 2019 titled "Latch".
 U.S. Appl. No. 16/800,512 entitled "CFX3 Protective covers—Cover for a Cooler" filed Feb. 25, 2020.
 AU Patent Application No. 2019284128 entitled "Mobile cooling box with user interface moduler" filed Dec. 30, 2019.
 AU Patent Application No. 2019284134 entitled "Mobile Cooling Box with Latch Handle Opening" filed Dec. 30, 2019.
 European Design Application No. 005948601 "Cooler" filed Jan. 4, 2019.
 Design U.S. Appl. No. 29/666,264 entitled "Cooler" filed Oct. 11, 2018.
 Design U.S. Appl. No. 29/670,885 entitled "Cooler" filed Nov. 20, 2018.
 Design U.S. Appl. No. 29/670,888 entitled "Cooler" filed Nov. 20, 2018.
 Dometic 2015 Product Catalog—Coolers.
 Dometic 2016 Product Catalog—Coolers.
 Decision to Grant DE Patent Application No. 1020192000681 dated Oct. 15, 2020.
 Examination report DE Application No. 102019200065.7 dated Sep. 30, 2019.
 Examination report DE Application No. 102019200068.1 dated Oct. 8, 2019.
 DE Patent application 102020209896.4 entitled "Handle Module" filed on Aug. 5, 2020.
 Decision to Grant DE Patent Application No. 102019200065.7 dated Aug. 4, 2020.
 Notice of Allowance for U.S. Appl. No. 29/697,069 dated Feb. 1, 2021.
 Corrected Notice of Allowance for U.S. Appl. No. 29/697,069 dated Feb. 26, 2021.
 Notice of Allowance Issued in U.S. Appl. No. 29/697,071 dated Apr. 12, 2021.
 Design U.S. Appl. No. 29/743,180, filed Jul. 20, 2020 titled "Cooler".
 Notice of Allowance Issued in U.S. Appl. No. 29/697,071 dated Dec. 23, 2020.
 Examination report EU Design Application No. 005948601-0001/005948601-0030 dated Jan. 9, 2019.
 Examination report DE Patent Application No. 102019200070.3 dated Sep. 24, 2019.
 Examination report DE Patent Application No. 102019200064.9 dated Sep. 27, 2019.
 Examination report DE Patent Application No. 102019200067.3 dated Oct. 8, 2019.
 Examination report DE Patent Application No. 102019200063.0 dated Oct. 15, 2019.
 United States Patent Office, Office Action for U.S. Appl. No. 16/728,715 dated May 19, 2021.

(56)

References Cited

OTHER PUBLICATIONS

Corrected Notice of Allowance for U.S. Appl. No. 29/697,071 dated May 28, 2021.

Design U.S. Appl. No. 29/785,568, filed May 26, 2021 titled "Cooler Fender Frame".

Corrected Notice of Allowance for U.S. Appl. No. 29/697,071 dated Jun. 3, 2021.

Examination Report Issued for DE Application No. 102020209896.4 dated Apr. 19, 2021.

* cited by examiner

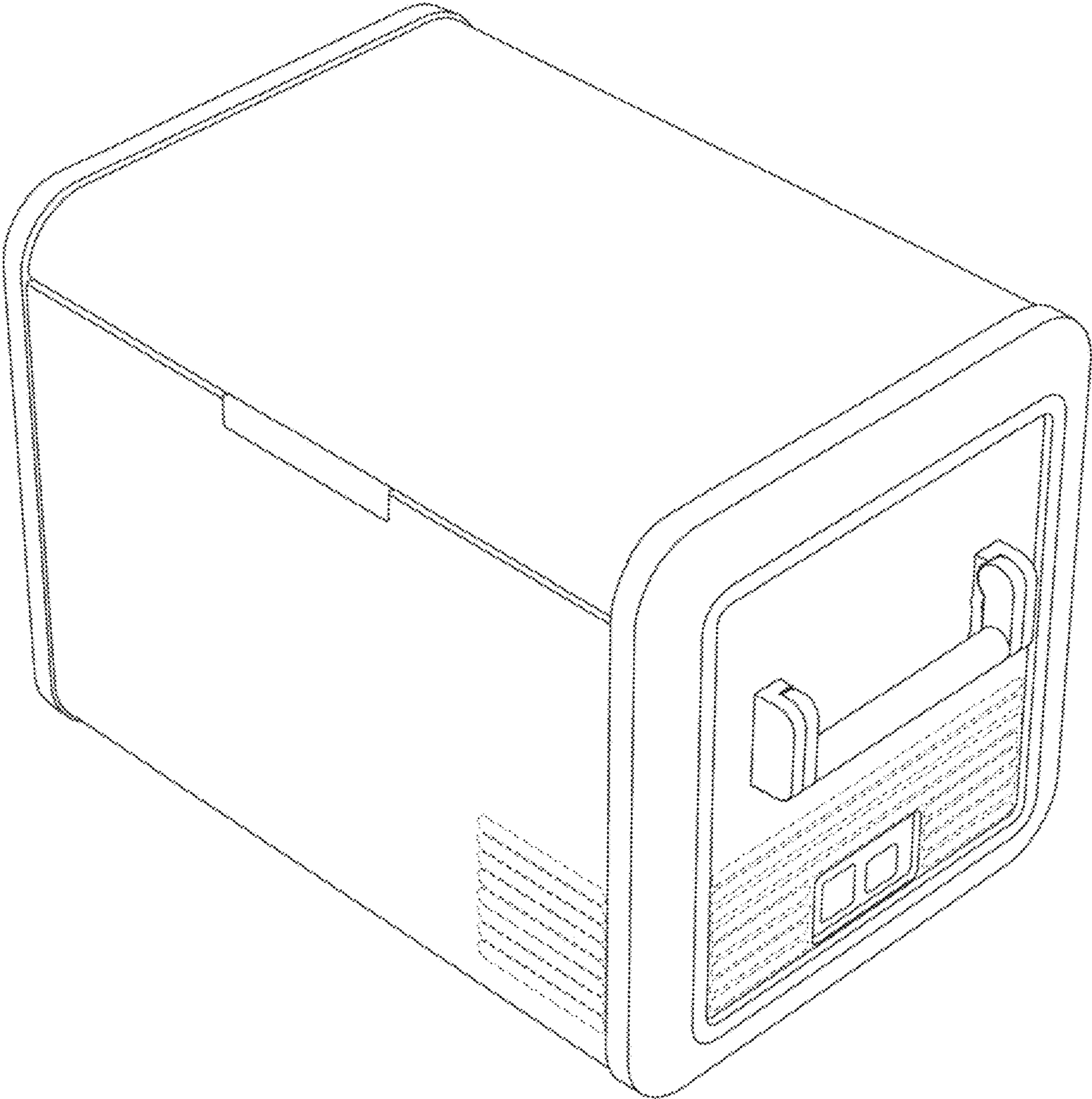


FIG. 1

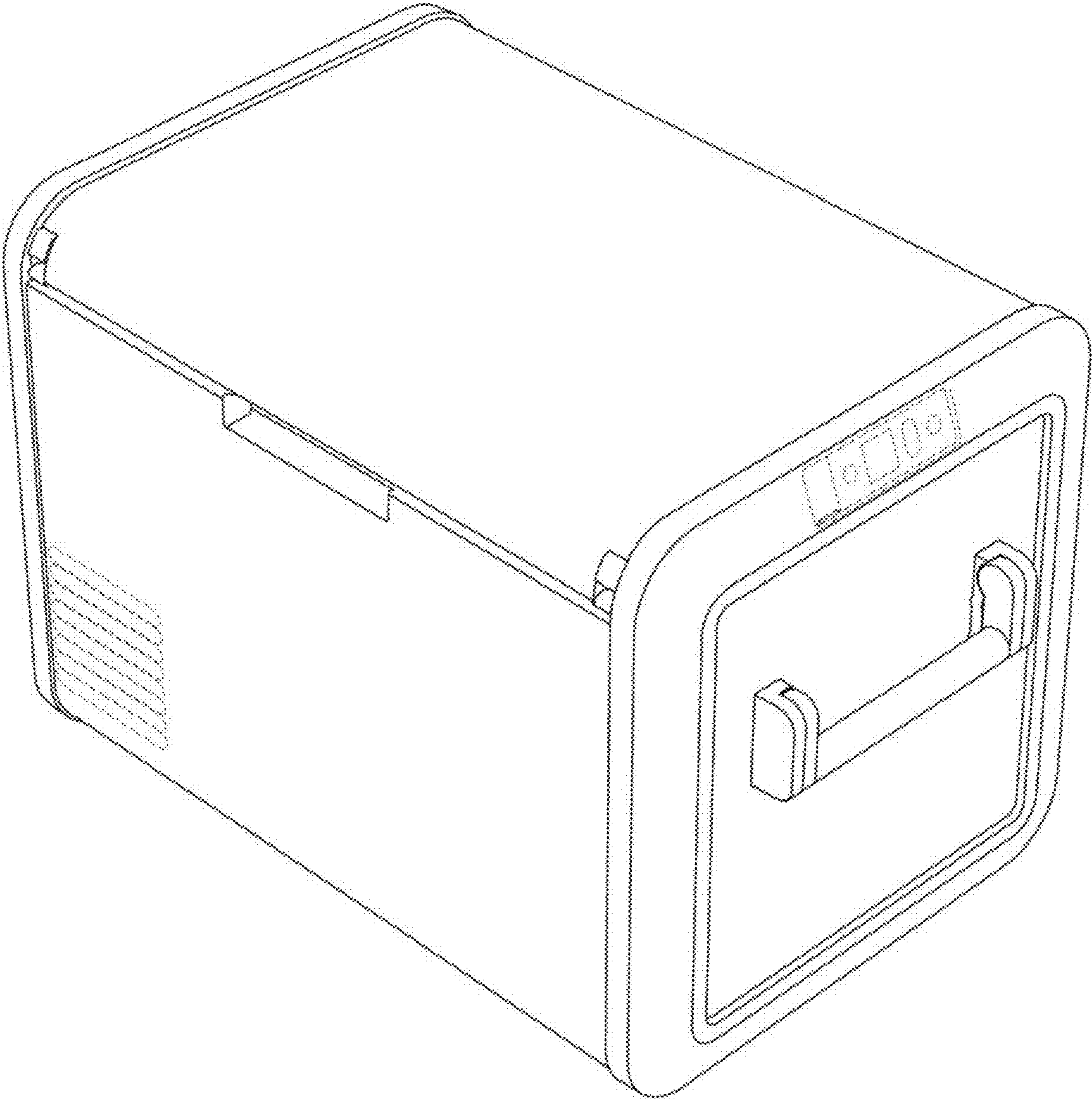


FIG. 2

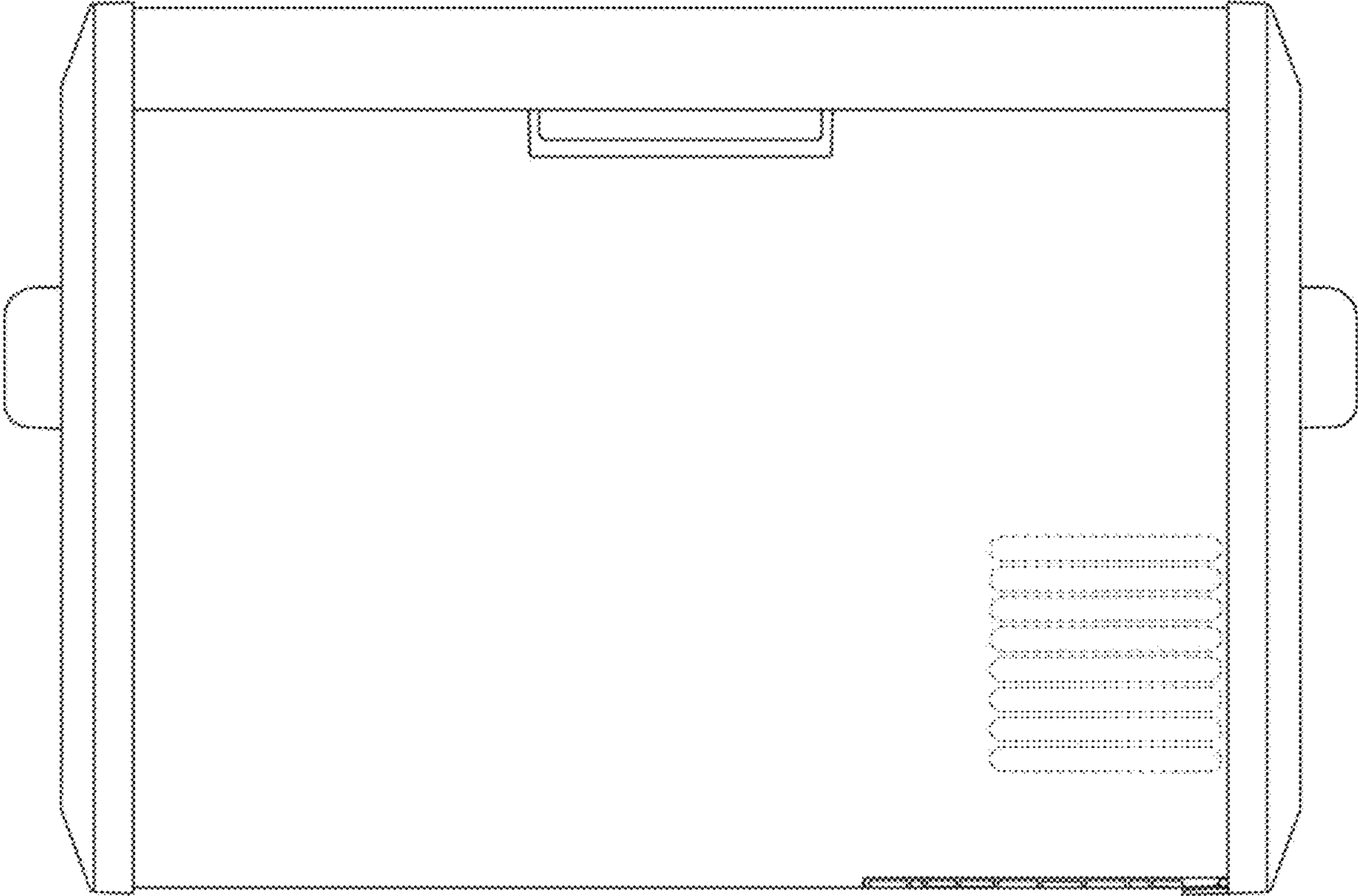


FIG. 3

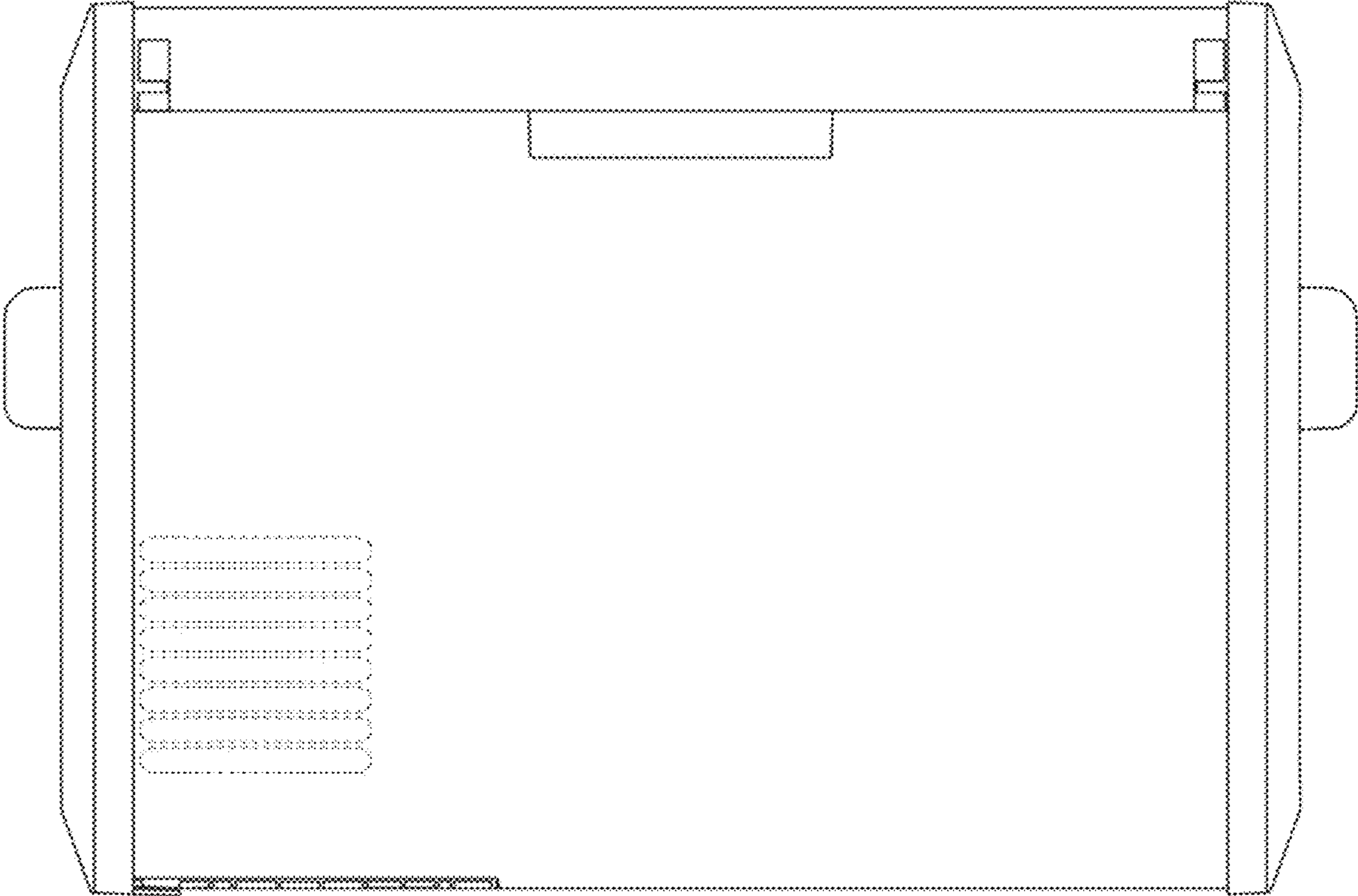


FIG. 4

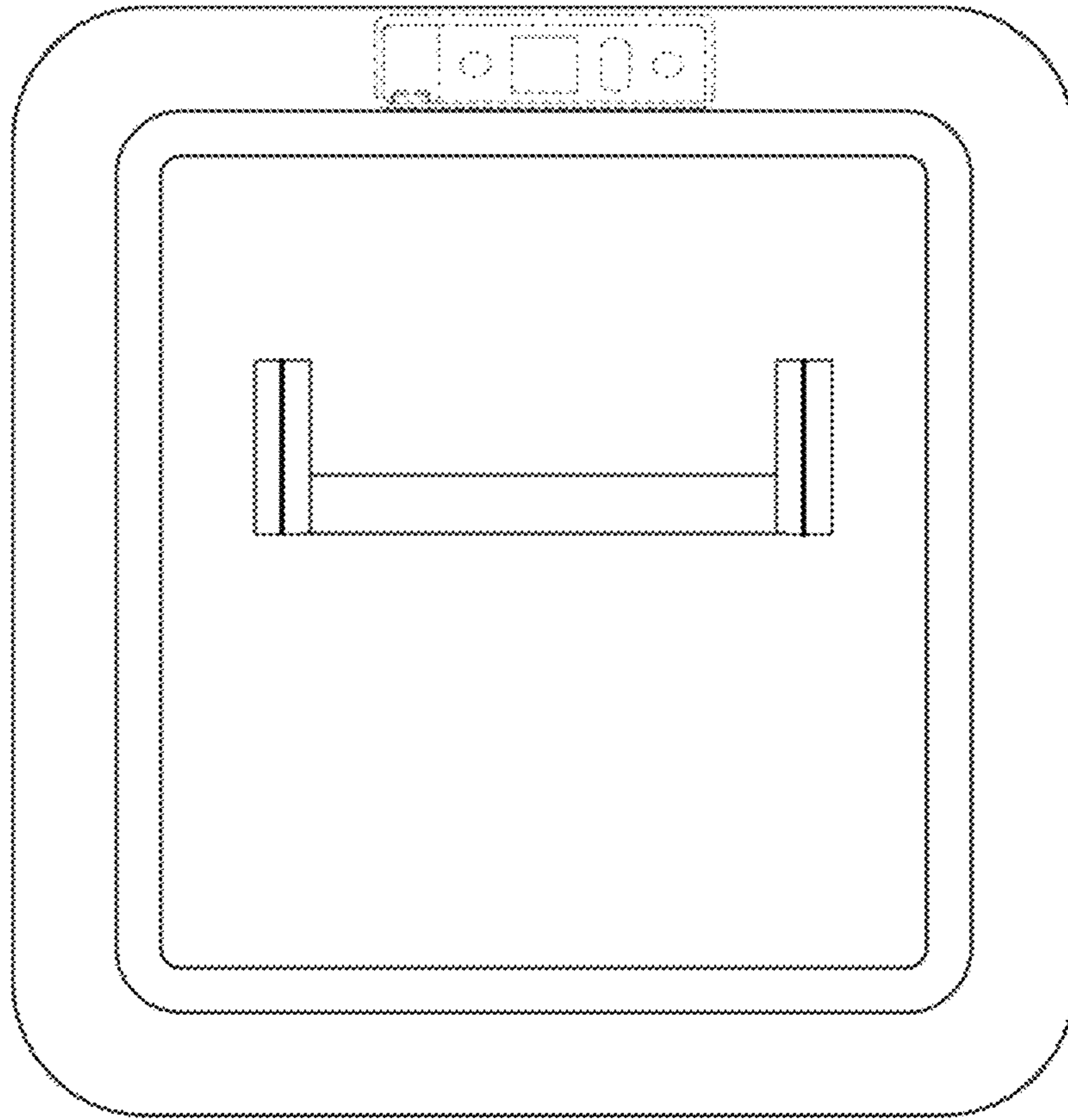


FIG. 5

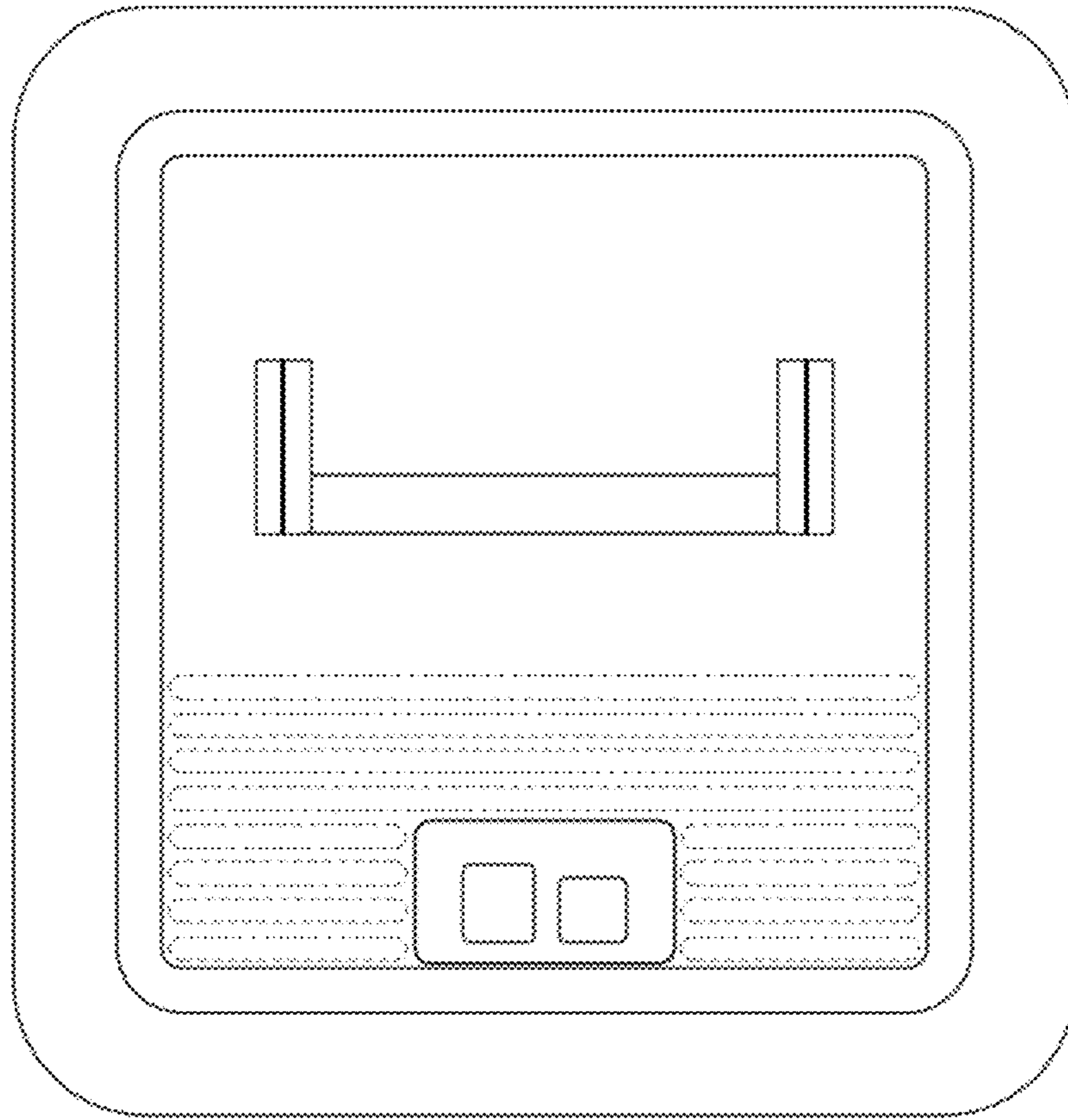


FIG. 6

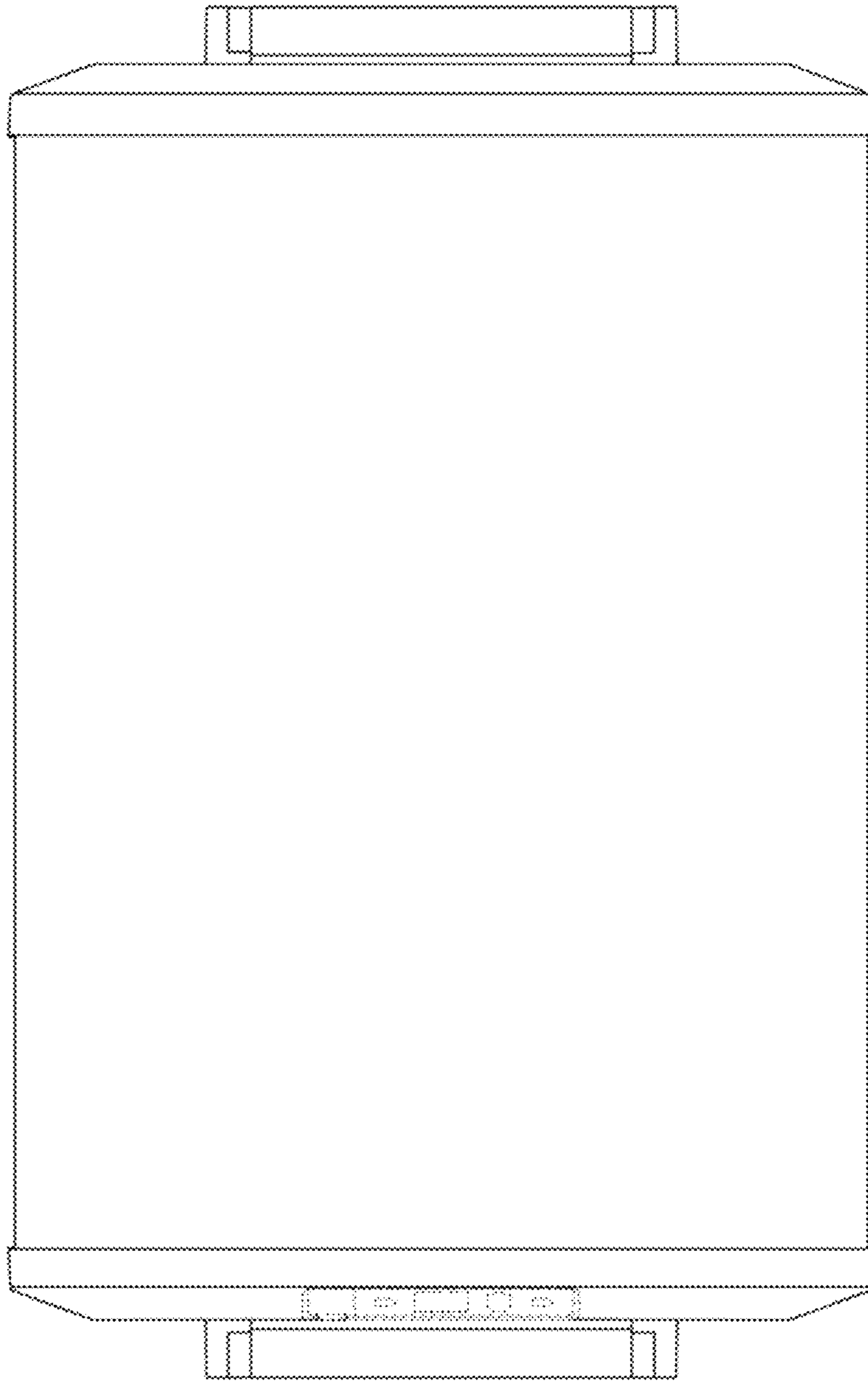


FIG. 7

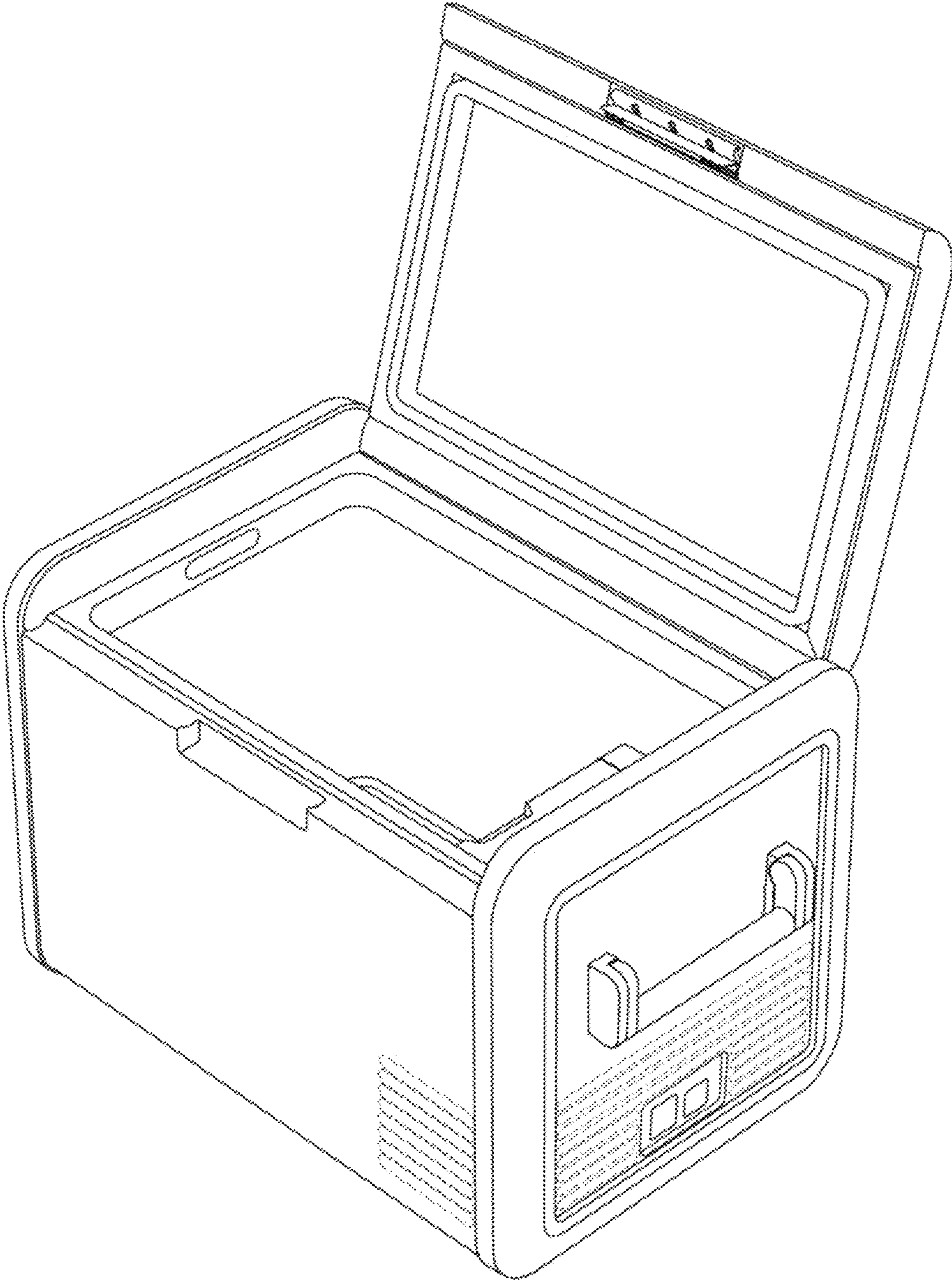


FIG. 8

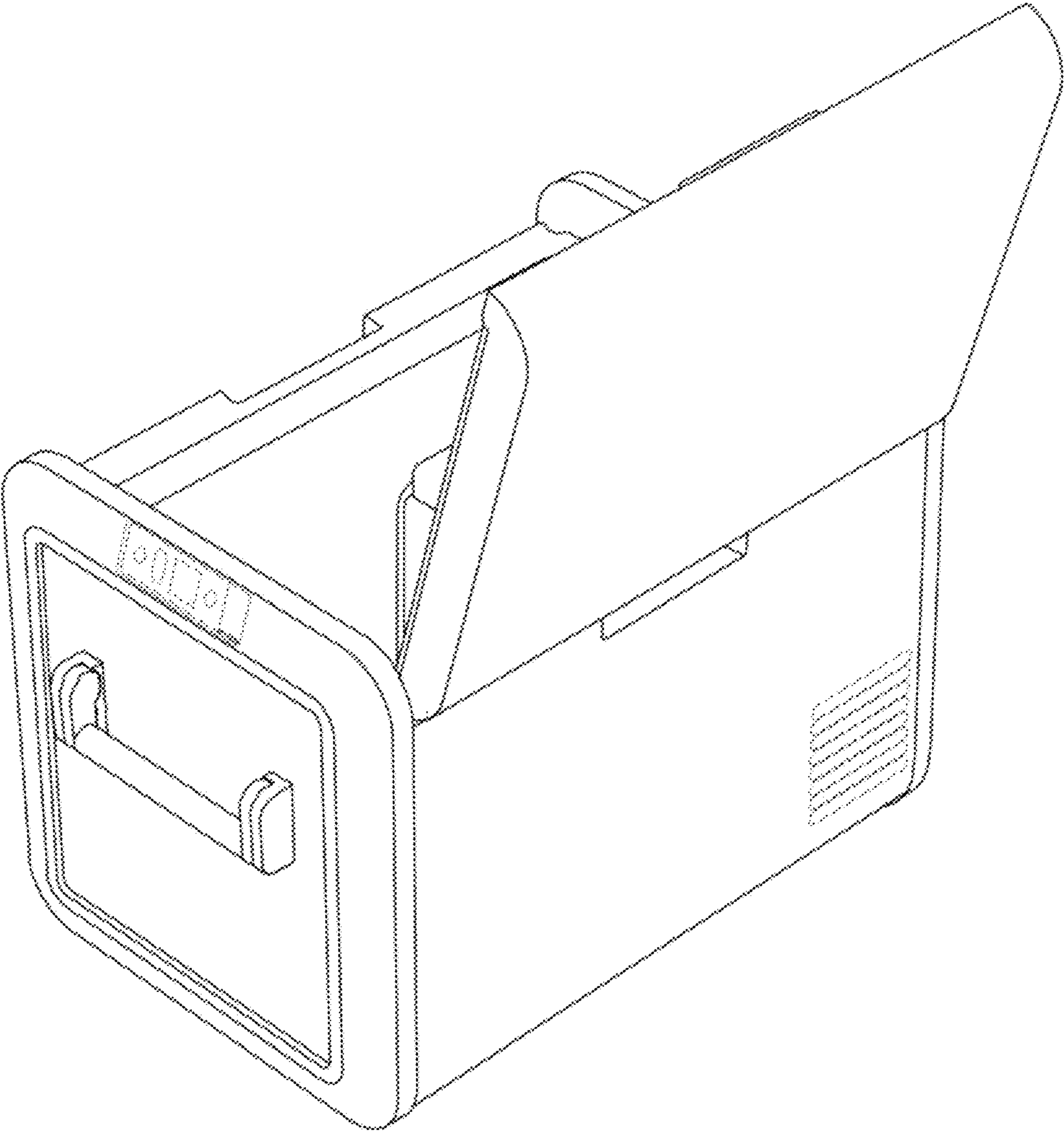


FIG. 9

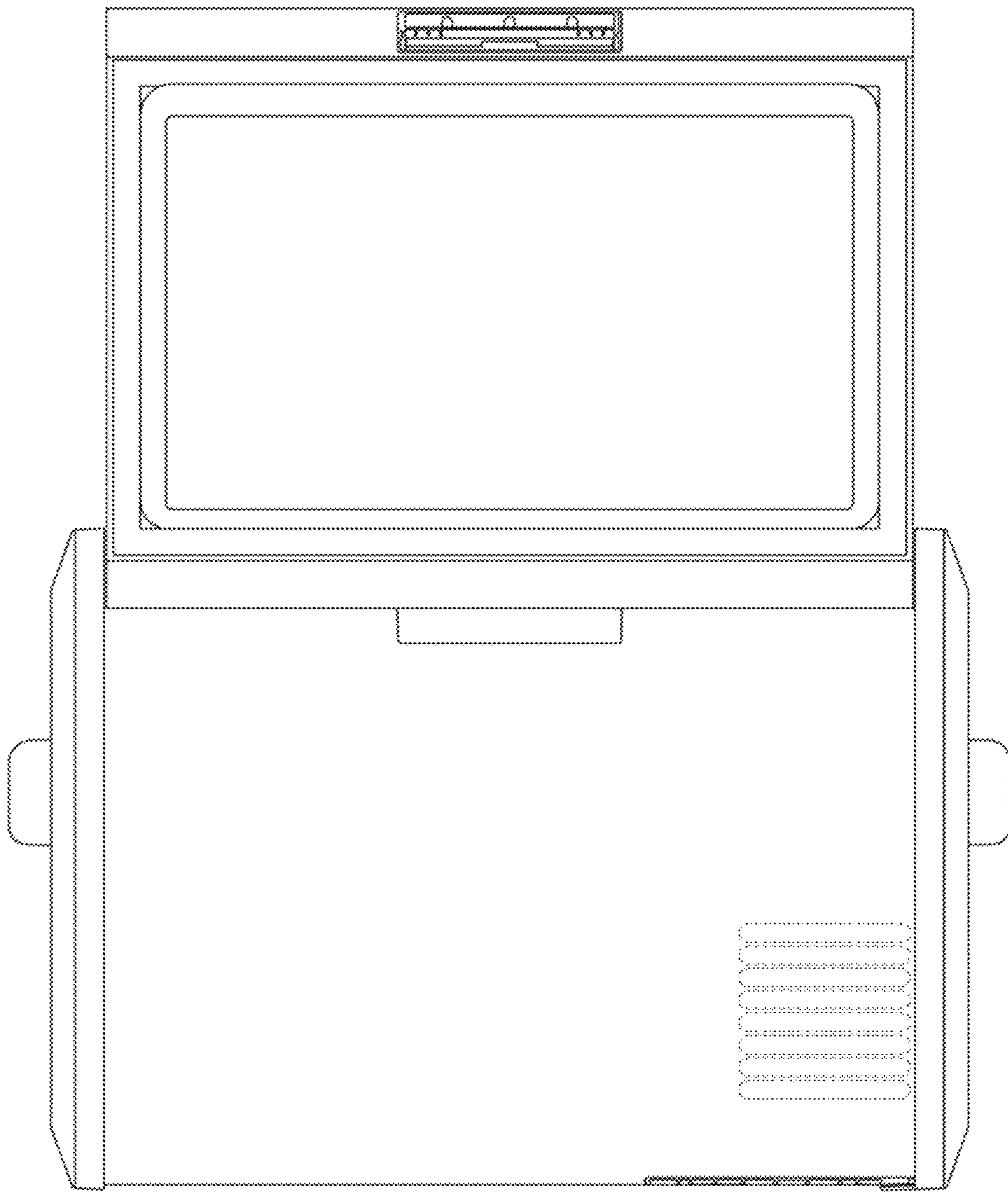


FIG. 10

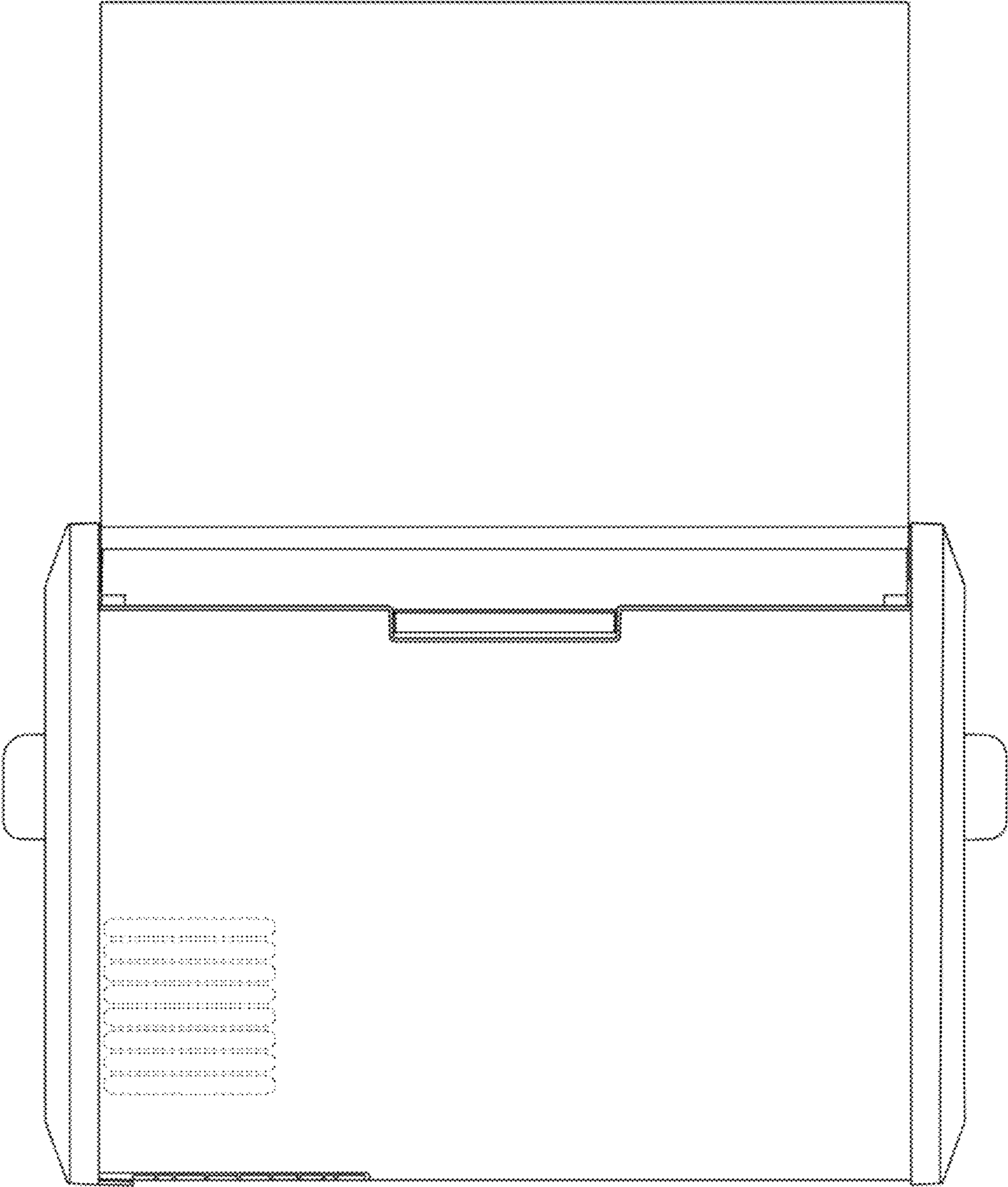


FIG. 11

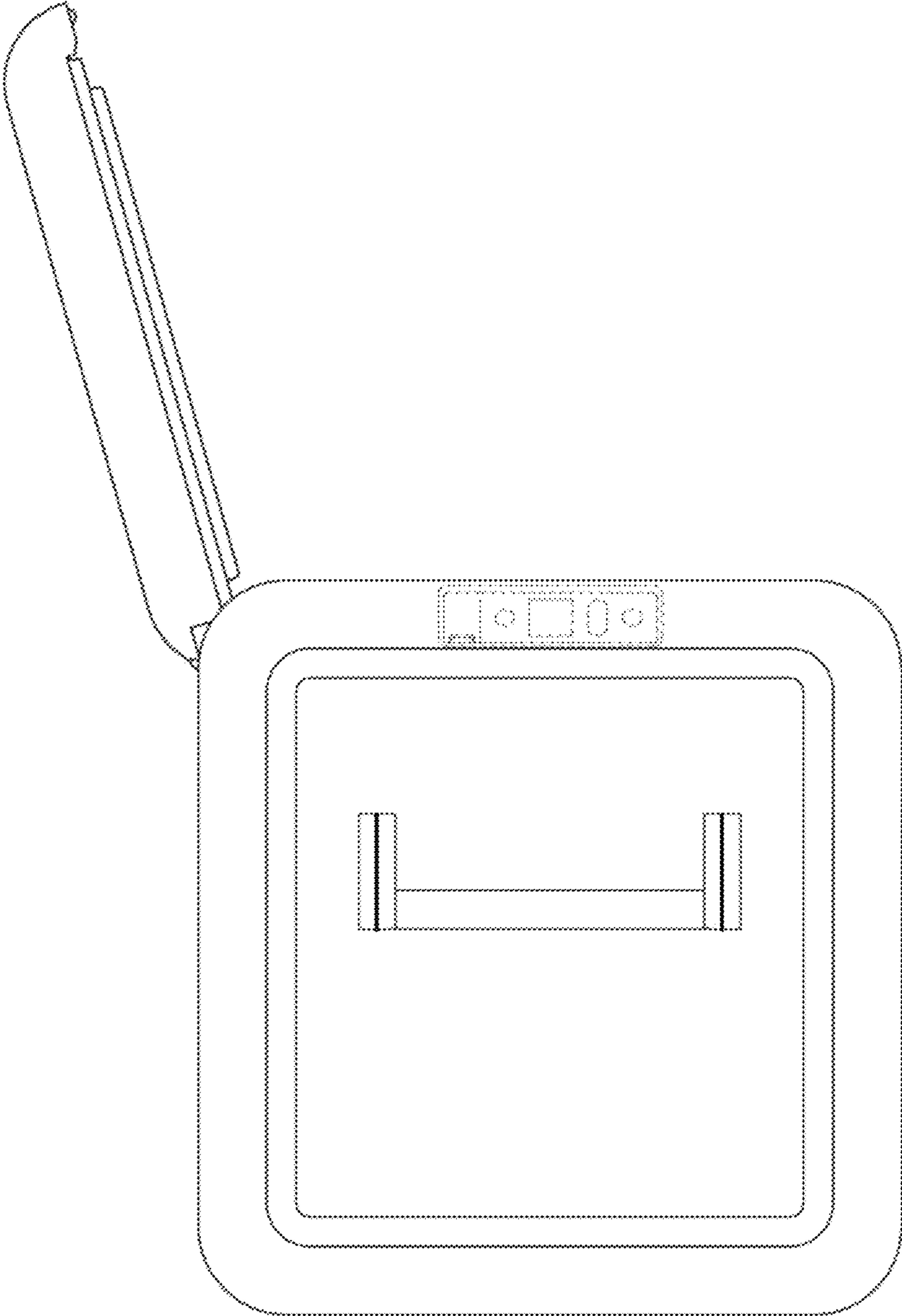


FIG. 12

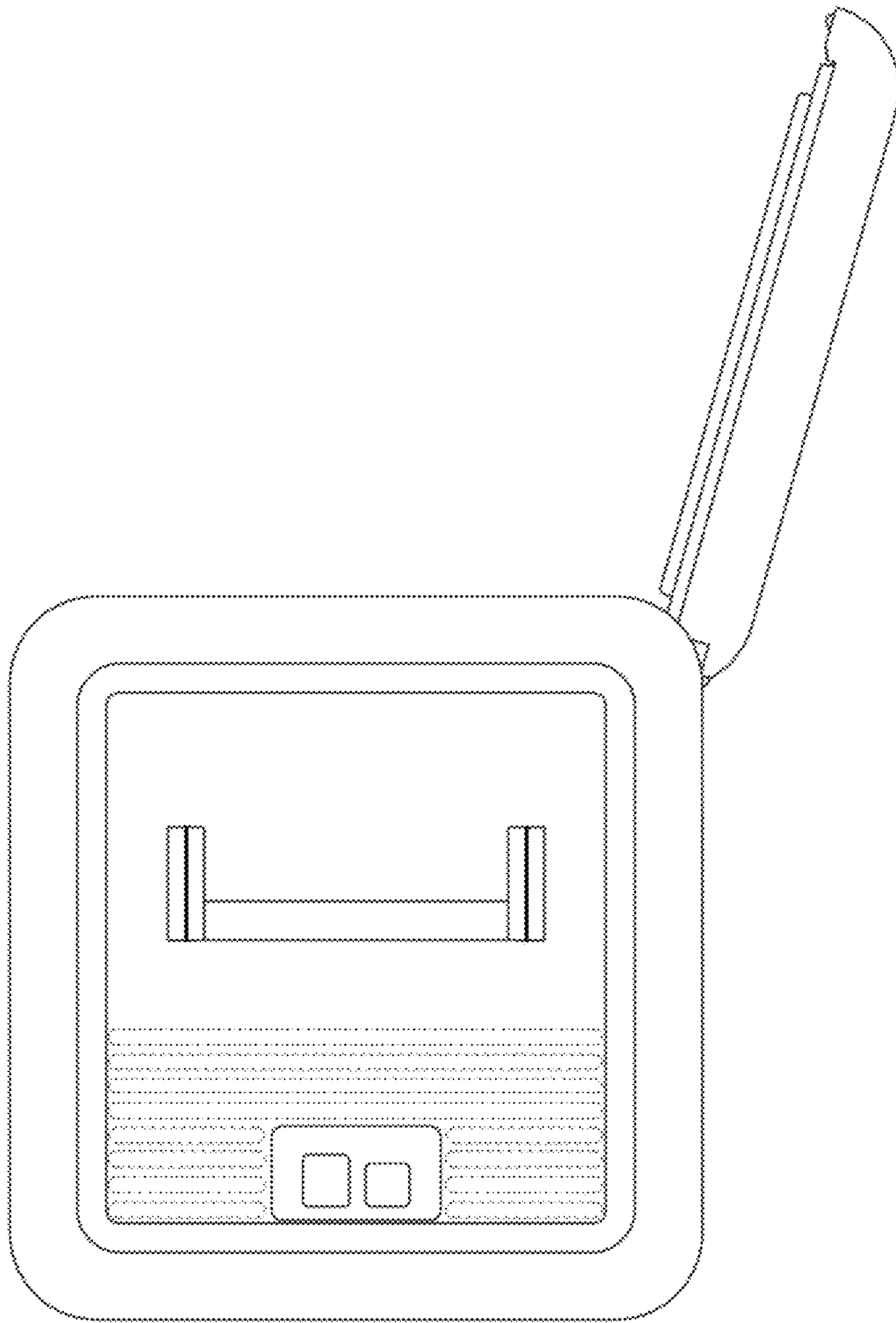


FIG. 13

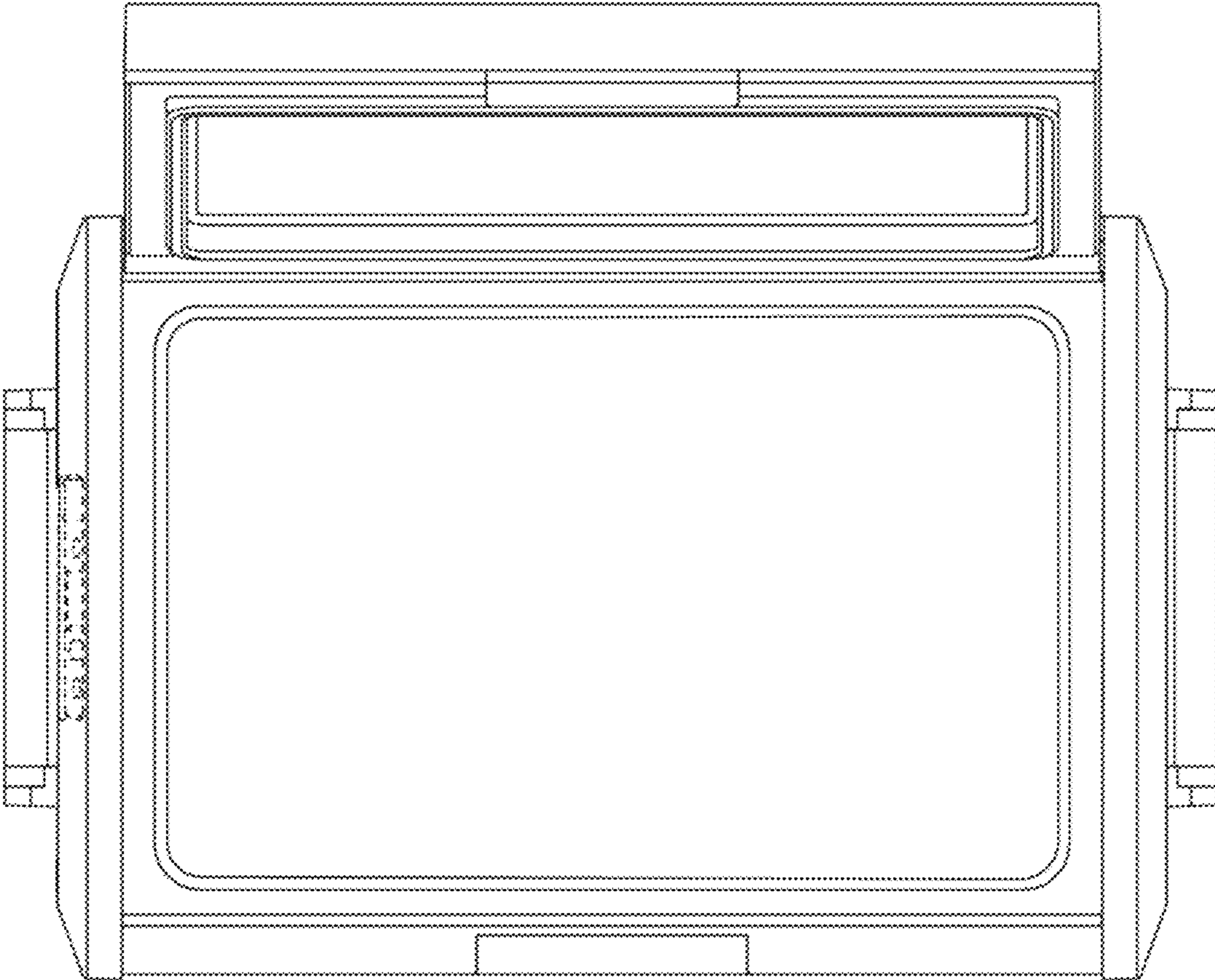


FIG. 14