



US00D927937S

(12) **United States Design Patent** (10) **Patent No.:** **US D927,937 S**  
**Godinger** (45) **Date of Patent:** **\*\* Aug. 17, 2021**

(54) **DECANTER**

(71) Applicant: **Godinger Silver Art Ltd.**, Ridgewood, NY (US)

(72) Inventor: **Arnold Godinger**, Brooklyn, NY (US)

(73) Assignee: **Godinger Silver Art Ltd.**, Ridgewood, NY (US)

(\*\*) Term: **15 Years**

(21) Appl. No.: **29/748,369**

(22) Filed: **Aug. 28, 2020**

(51) **LOC (13) Cl.** ..... **07-01**

(52) **U.S. Cl.**  
USPC ..... **D7/599**; D7/598

(58) **Field of Classification Search**  
USPC ..... D7/590, 598, 599, 600, 300, 312, 396.1,  
D7/397, 401.1; D9/544, 545, 546;  
D27/162, 163, 166, 167  
CPC ..... B65D 1/02; B65D 1/0223; B65D 1/40  
See application file for complete search history.

(56) **References Cited**

U.S. PATENT DOCUMENTS

D230,775 S *	3/1974	Frost	.....	D27/162
D545,135 S *	6/2007	Bodum	.....	D7/300
D545,136 S *	6/2007	Bodum	.....	D7/300
D559,113 S	1/2008	Brown et al.		
D618,109 S	6/2010	Morita		
D622,600 S	8/2010	Bradfield et al.		
D638,984 S *	5/2011	Gould	.....	D27/163
D642,477 S *	8/2011	Lec tre	.....	D9/544
D683,227 S	5/2013	Balini		
D693,693 S	11/2013	Sanchez		
D717,176 S *	11/2014	Gomez	.....	D9/560
D812,980 S	3/2018	Buzzard et al.		

D824,823 S	8/2018	Yeo		
D854,740 S *	7/2019	Opp	.....	D27/162
D856,810 S	8/2019	James		
D873,080 S	1/2020	Eckart et al.		
D878,922 S *	3/2020	Otani	.....	D9/545
D881,016 S	4/2020	Hudson		
D887,276 S *	6/2020	Evans	.....	D9/526
D889,911 S *	7/2020	Godinger	.....	D7/599
D897,751 S *	10/2020	Wolfgram	.....	D7/300.1
D906,823 S *	1/2021	Larsonneur	.....	D9/545
2015/0264976 A1 *	9/2015	Benson	.....	B08B 9/08 131/244
2018/0282011 A1 *	10/2018	Evans	.....	B65D 1/0261

\* cited by examiner

*Primary Examiner* — Susan E Krakower

*Assistant Examiner* — Andrew Kerr

(74) *Attorney, Agent, or Firm* — Bochner IP, PLLC;  
Andrew D. Bochner

(57) **CLAIM**

The ornamental design for a decanter, as shown and described.

**DESCRIPTION**

FIG. 1 is a top, front, right-side perspective view of a decanter, showing my new design;  
FIG. 2 is a front elevation view thereof, the rear elevation view being a mirror image;  
FIG. 3 is a left-side elevation view thereof;  
FIG. 4 is a right-side elevation view thereof;  
FIG. 5 is a top plan view thereof;  
FIG. 6 is a bottom plan view thereof; and,  
FIG. 7 is a cross-section view thereof, taken along line 7-7 of FIG. 3.

The broken lines in the drawings depict portions of the decanter that form no part of the claimed design.

**1 Claim, 4 Drawing Sheets**

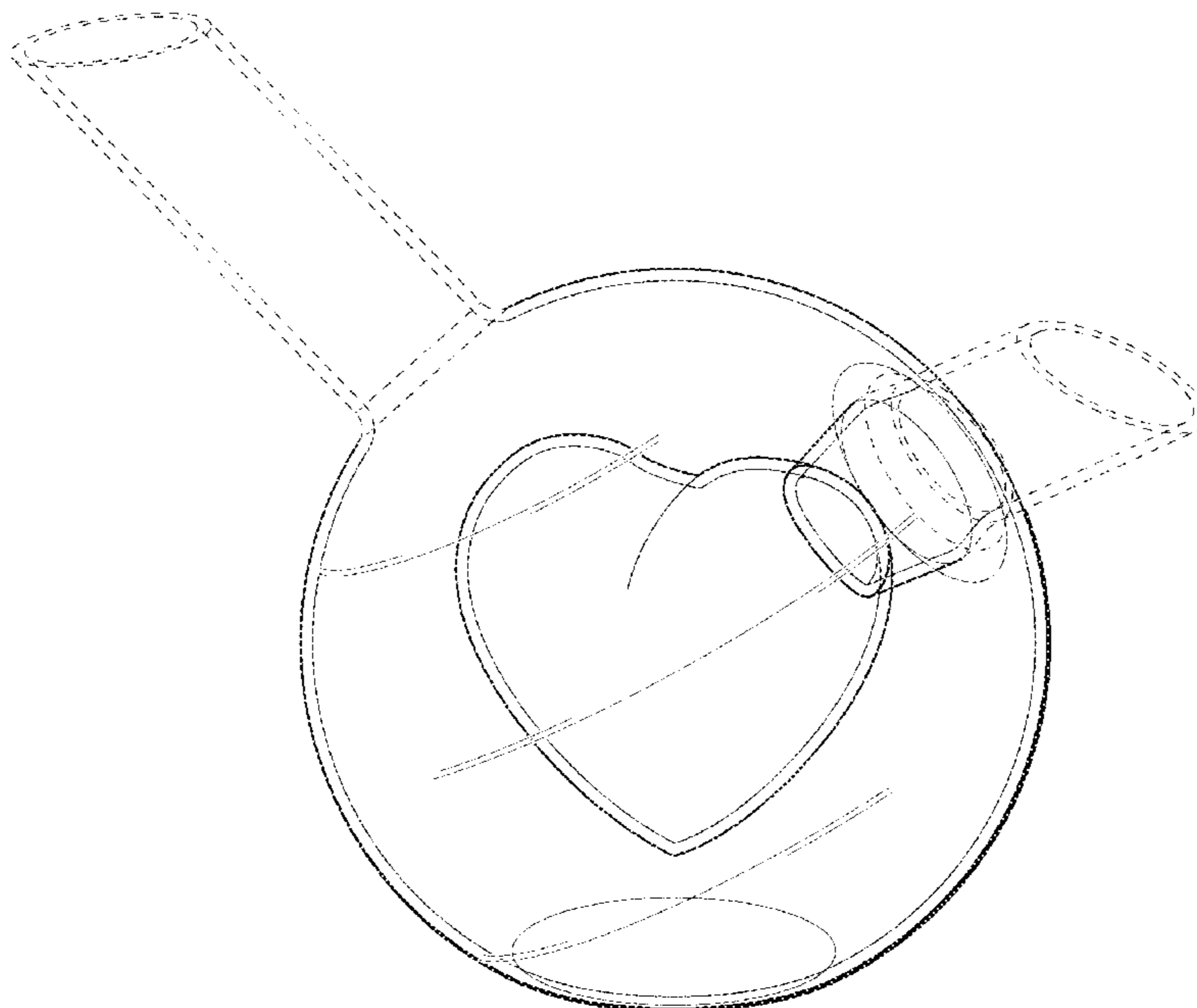
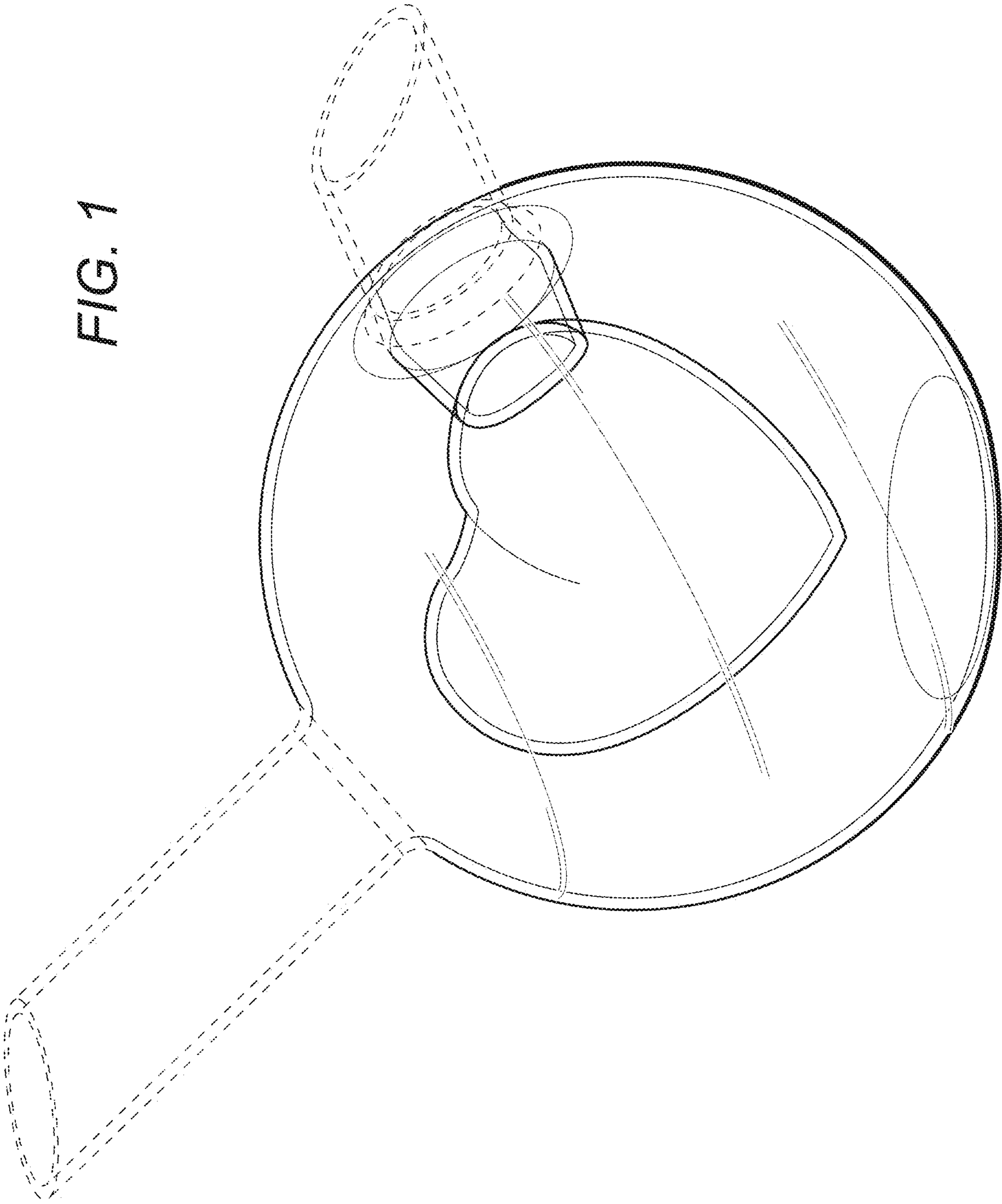


FIG. 1



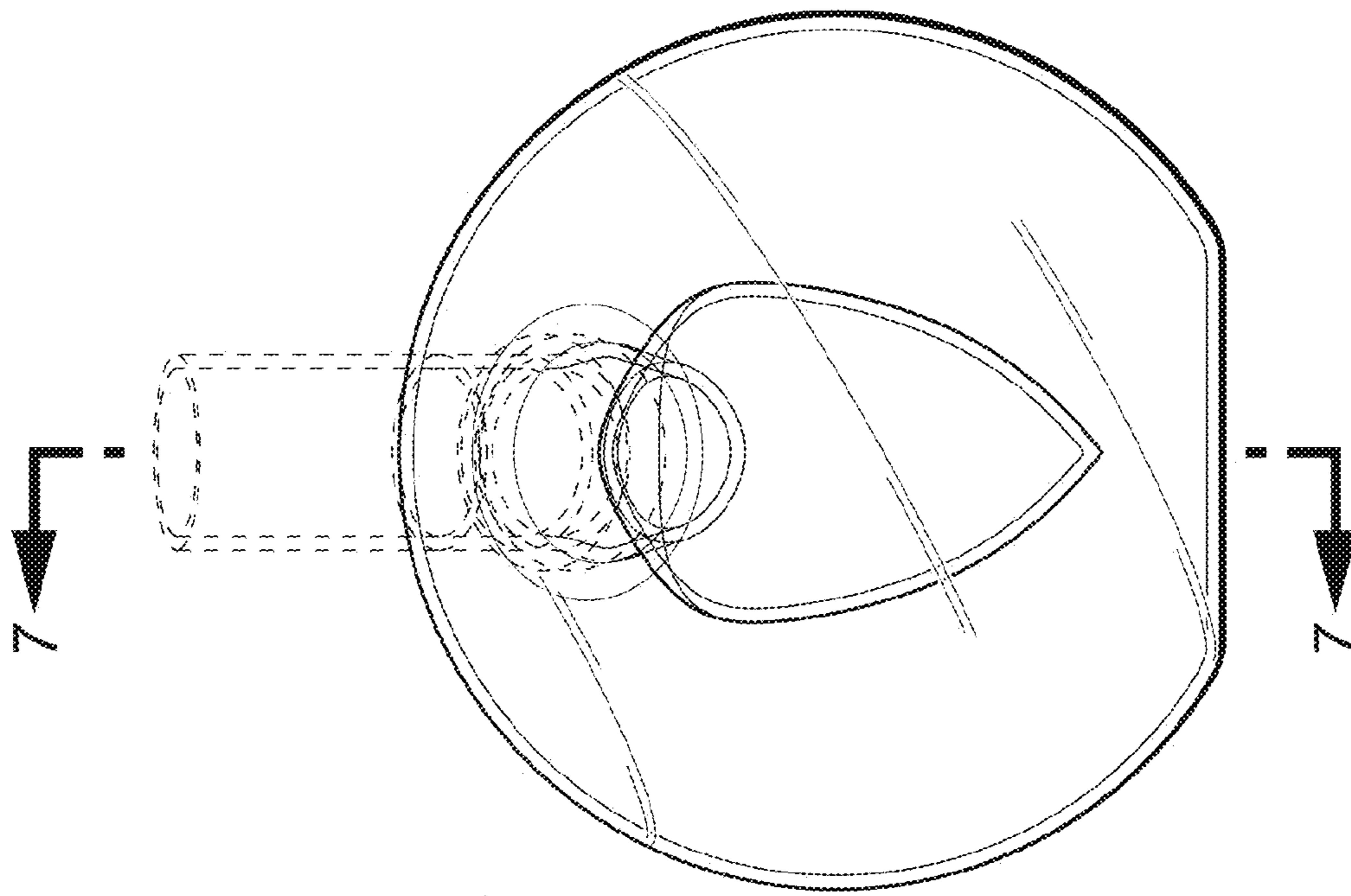


FIG. 2

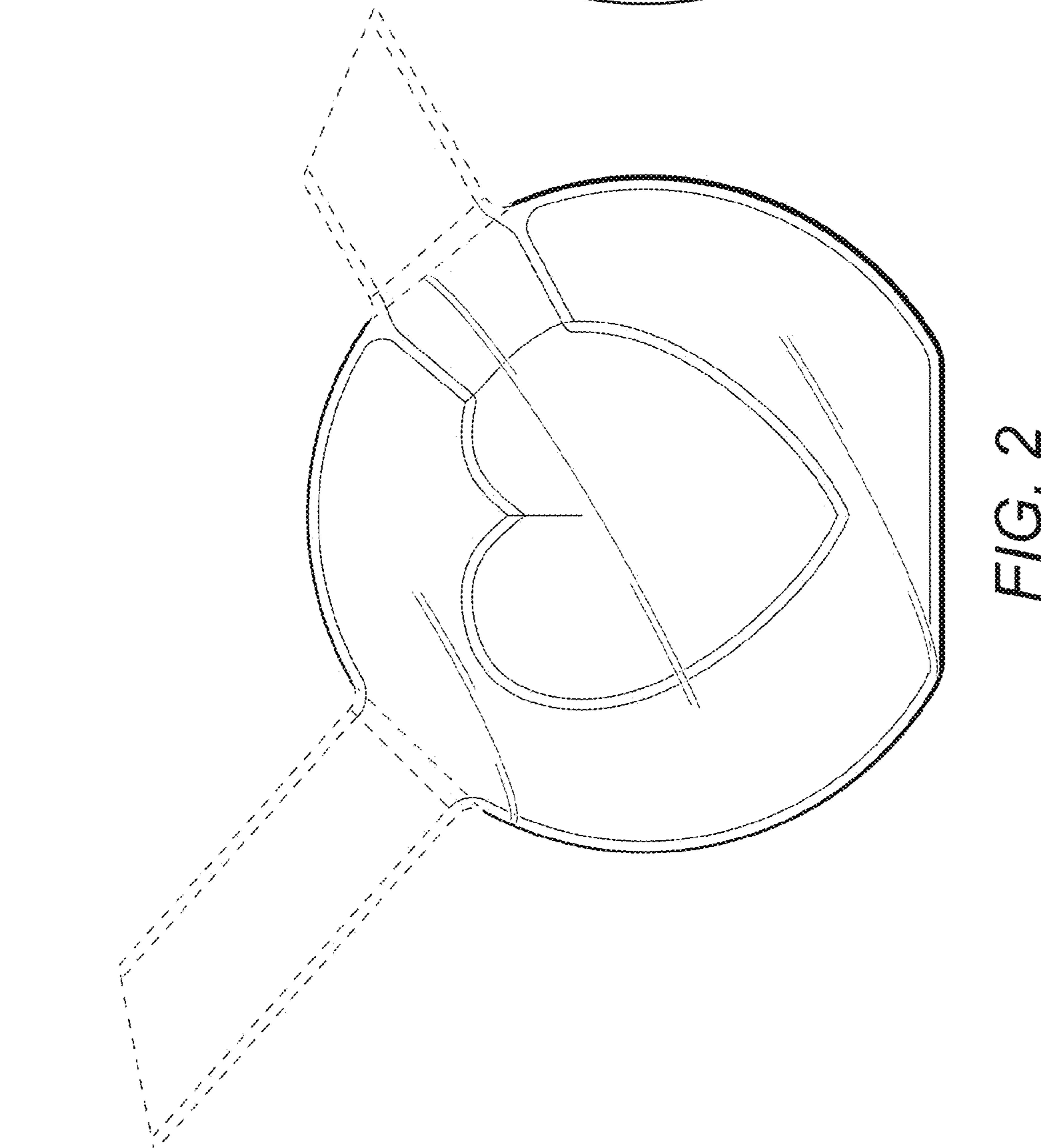
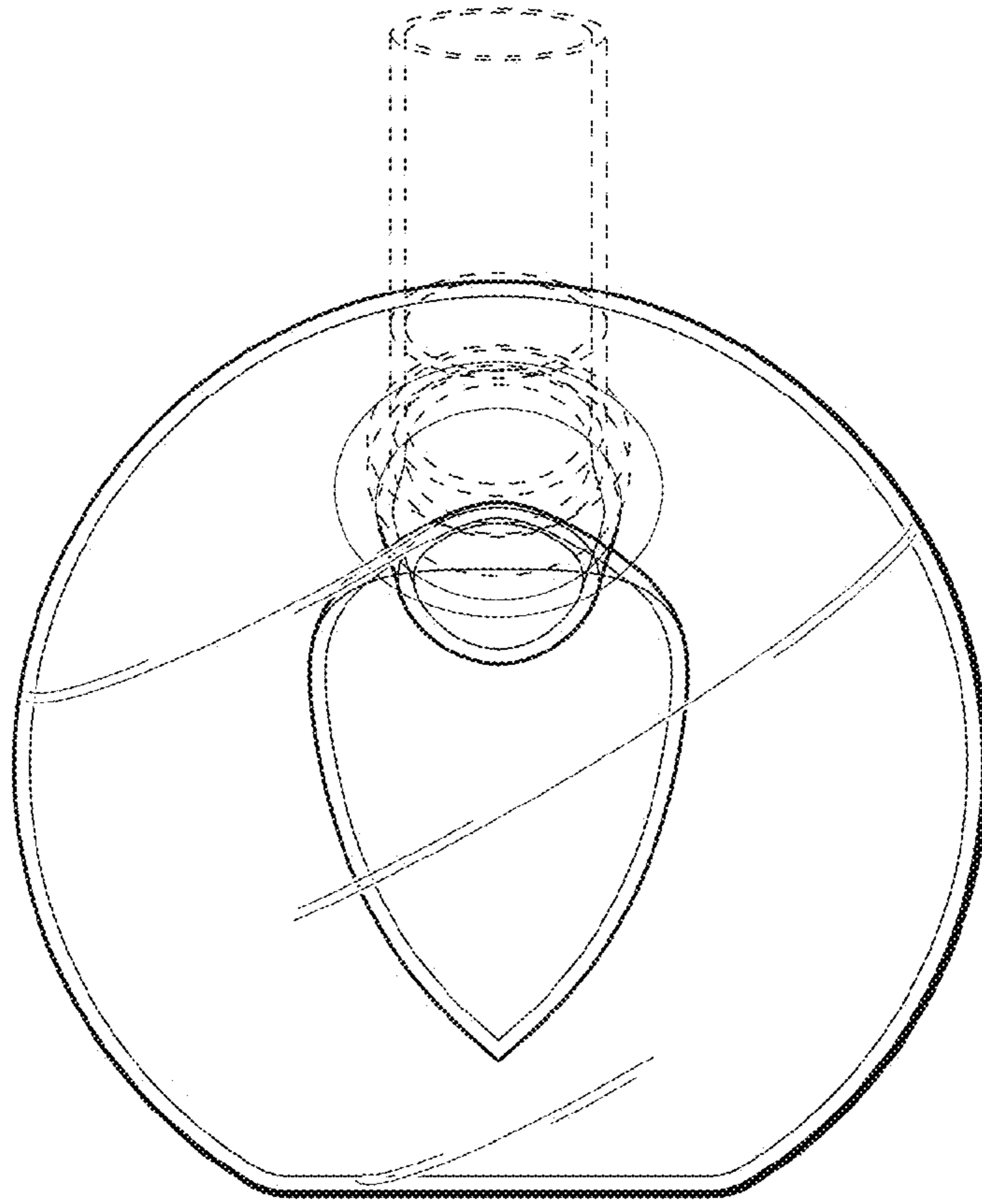
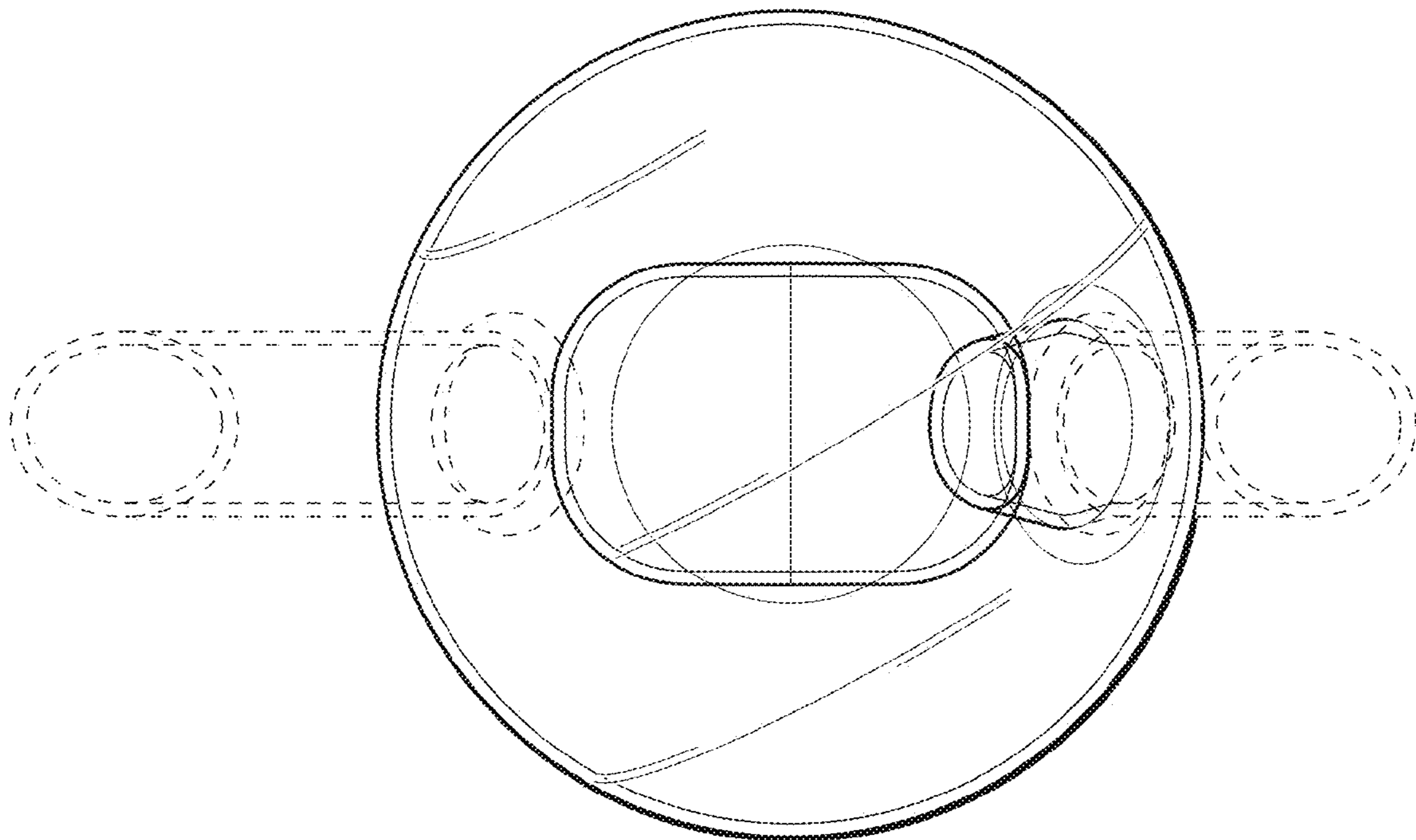


FIG. 3



**FIG. 4**



**FIG. 5**

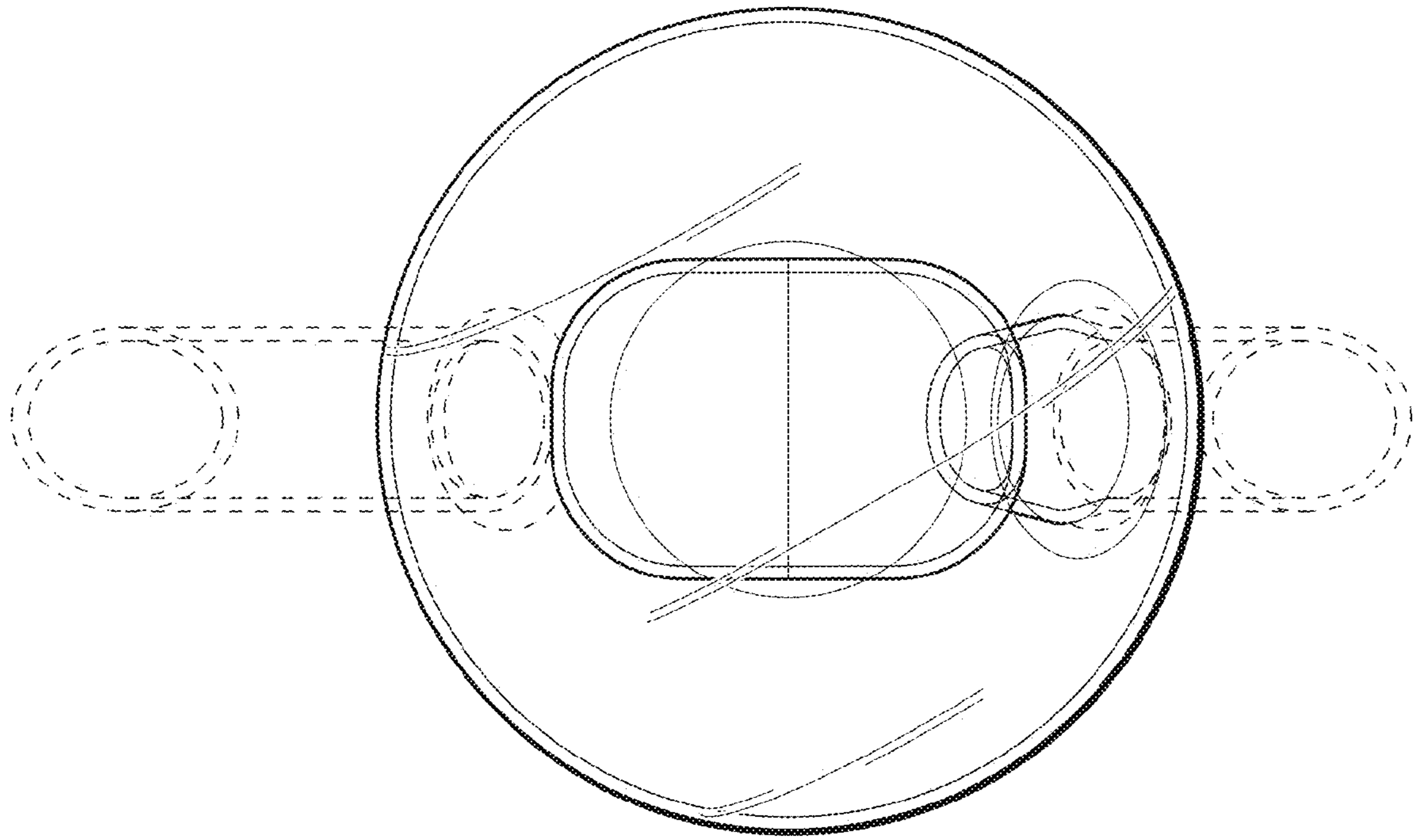


FIG. 6

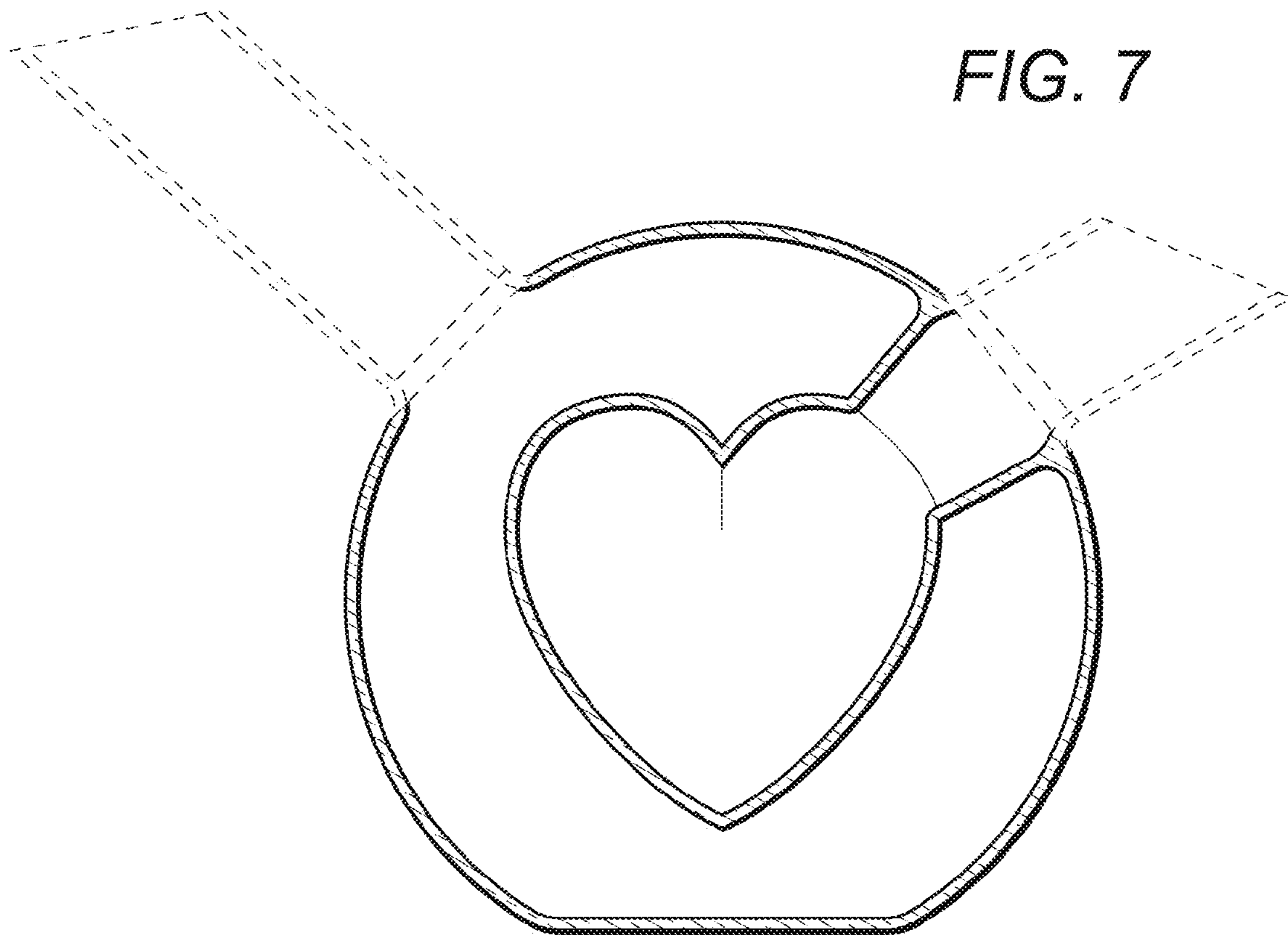


FIG. 7