



US00D927936S

(12) **United States Design Patent** (10) **Patent No.:** **US D927,936 S**  
**Miller** (45) **Date of Patent:** **\*\* Aug. 17, 2021**

- (54) **SILICONE BOWL**
- (71) Applicant: **Anastasia Arabella Miller**, Brooklyn, NY (US)
- (72) Inventor: **Anastasia Arabella Miller**, Brooklyn, NY (US)
- (73) Assignee: **Helen of Troy Limited**, St. Michael (BB)
- (\*\*) Term: **15 Years**
- (21) Appl. No.: **29/709,267**
- (22) Filed: **Oct. 12, 2019**
- (51) **LOC (13) Cl.** ..... **07-01**
- (52) **U.S. Cl.**  
USPC ..... **D7/587**
- (58) **Field of Classification Search**  
USPC ..... D7/500, 587, 565, 560, 543, 584;  
D30/130; D19/104  
CPC ..... A47G 19/025; A47G 19/02  
See application file for complete search history.

D601,309 S *	9/2009	Babal .....	D30/129
D607,329 S *	1/2010	Diss .....	D7/587
D630,897 S *	1/2011	Jarvis .....	D7/407
D690,166 S *	9/2013	Montgomery .....	D7/586
D701,088 S *	3/2014	Hone .....	D7/505
D709,317 S *	7/2014	Cheng .....	D7/354
D738,159 S *	9/2015	Cheng .....	D7/354
D760,951 S *	7/2016	Bennett .....	D27/136
D761,061 S *	7/2016	McConnell .....	D7/587
D787,274 S *	5/2017	Gagnon .....	D7/586
D792,166 S *	7/2017	Kirsh .....	D7/601
D807,121 S *	1/2018	Mittal .....	D7/587
D823,643 S *	7/2018	Paul .....	D7/584
D828,726 S *	9/2018	Epley .....	D7/602
D845,715 S *	4/2019	Brownell .....	D7/545
D867,822 S *	11/2019	Passot .....	D7/587
2002/0112614 A1 *	8/2002	Zoss .....	A21B 3/131 99/426

\* cited by examiner

*Primary Examiner* — Cynthia R Underwood  
(74) *Attorney, Agent, or Firm* — Rankin, Hill & Clark LLP

(57) **CLAIM**

The ornamental designs for a silicone bowl, as shown, and described.

**DESCRIPTION**

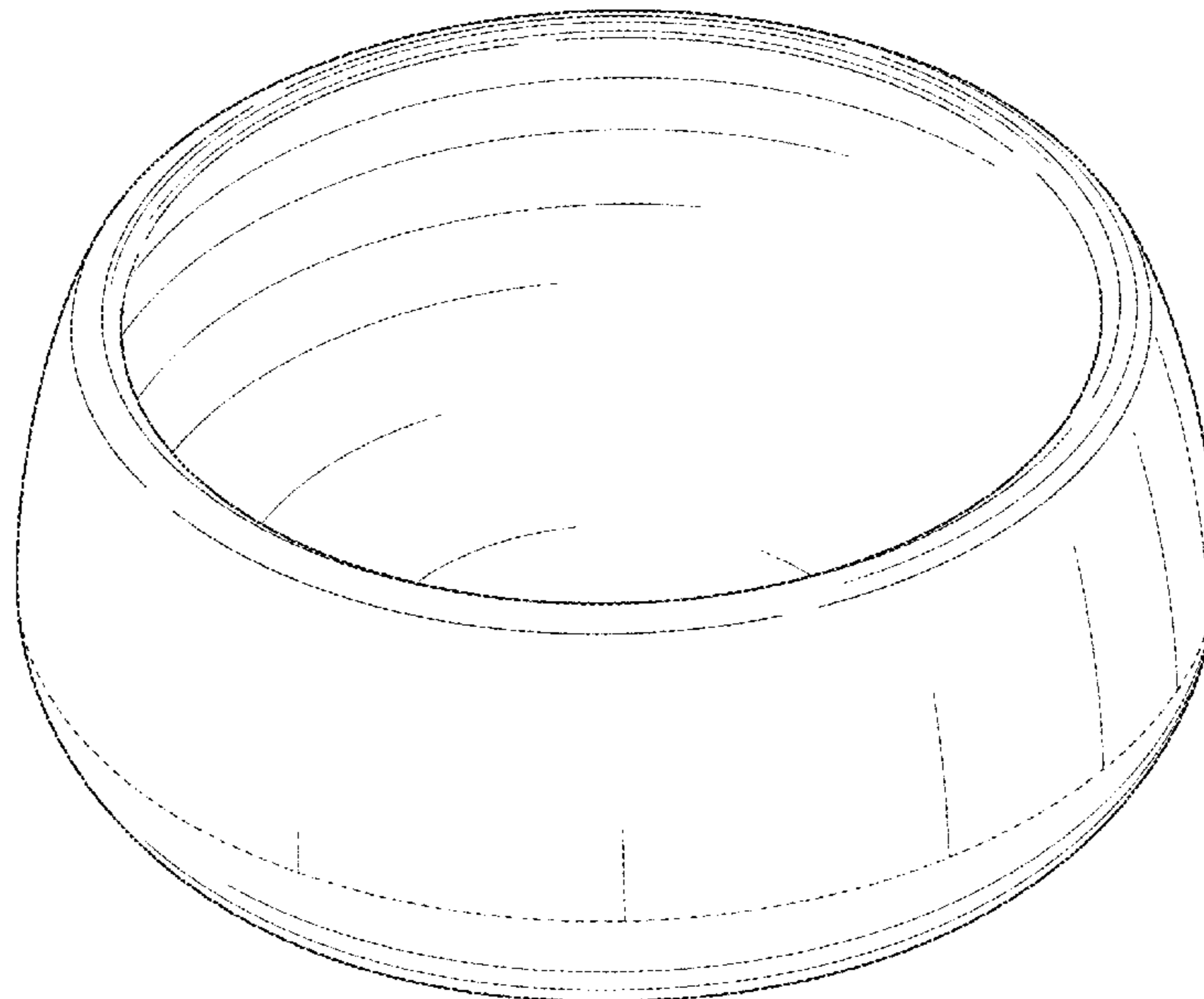
FIG. 1 is a perspective view of a silicone bowl;  
FIG. 2 is a rear elevation view thereof;  
FIG. 3 is a front elevation view thereof;  
FIG. 4 is a right elevation view thereof;  
FIG. 5 is a left elevation view thereof;  
FIG. 6 is a top view thereof;  
FIG. 7 is a bottom view thereof; and,  
FIG. 8 is a section view thereof taken from line 8-8 in FIG. 6.  
The broken lines in the drawings depict portions of the silicone bowl that form no part of the claimed design.

**1 Claim, 6 Drawing Sheets**

(56) **References Cited**

**U.S. PATENT DOCUMENTS**

1,567,234 A *	12/1925	Brucker .....	A21B 3/13 249/136
D119,166 S *	2/1940	Guild .....	D7/565
D175,753 S *	10/1955	Barnhart .....	D7/540
D243,912 S *	4/1977	Daenen .....	D7/584
D250,929 S *	1/1979	Gerstman .....	D7/565
D286,726 S *	11/1986	Daenen .....	D7/587
D382,766 S *	8/1997	Hamada .....	D7/354
D394,189 S *	5/1998	Reynaert .....	D7/523
D442,831 S *	5/2001	Jacobs .....	D7/584
D511,074 S *	11/2005	Claypool .....	D7/602
D549,040 S *	8/2007	Henry .....	D7/354
D575,992 S *	9/2008	LeGreve .....	D7/586
D598,238 S *	8/2009	Durdon .....	D7/354



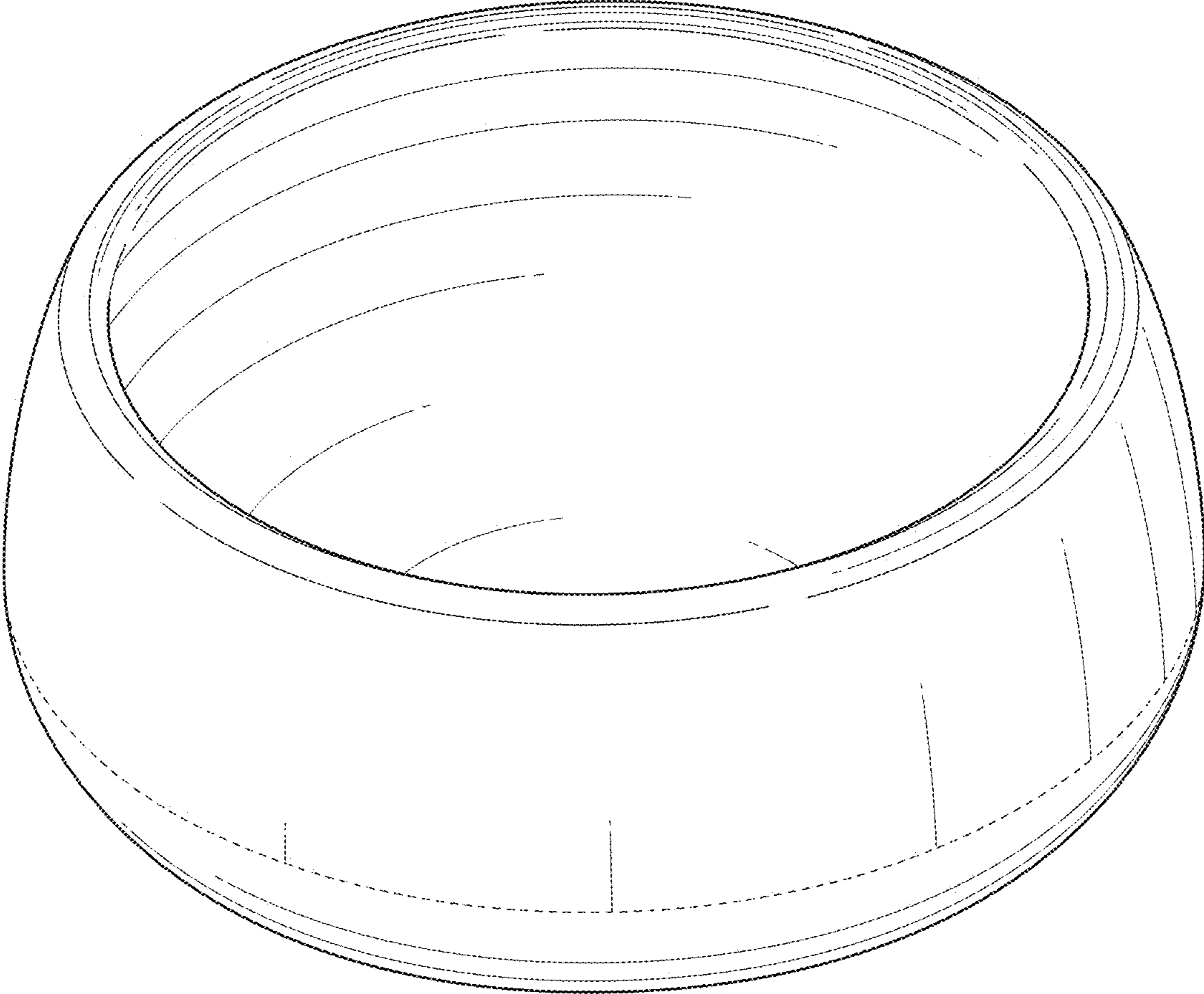


FIG. 1

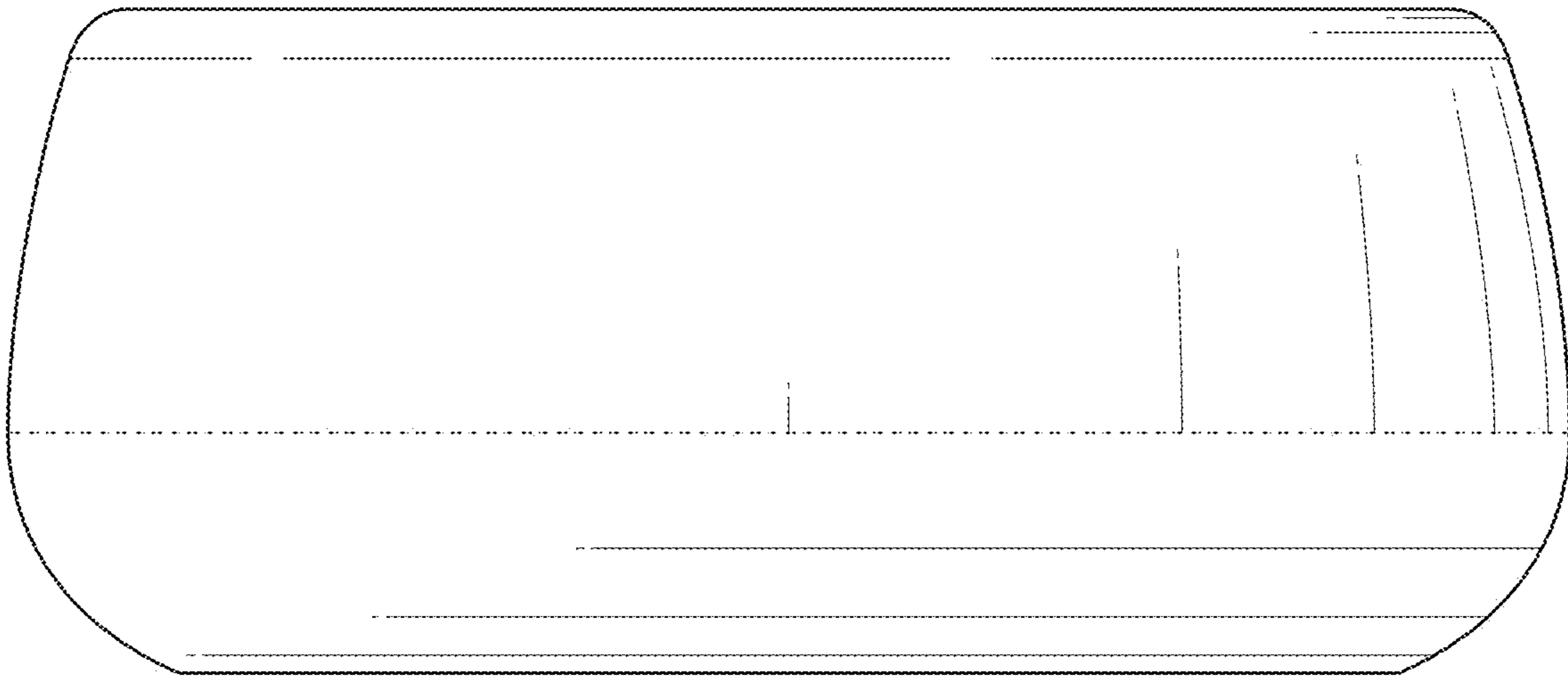


FIG. 2

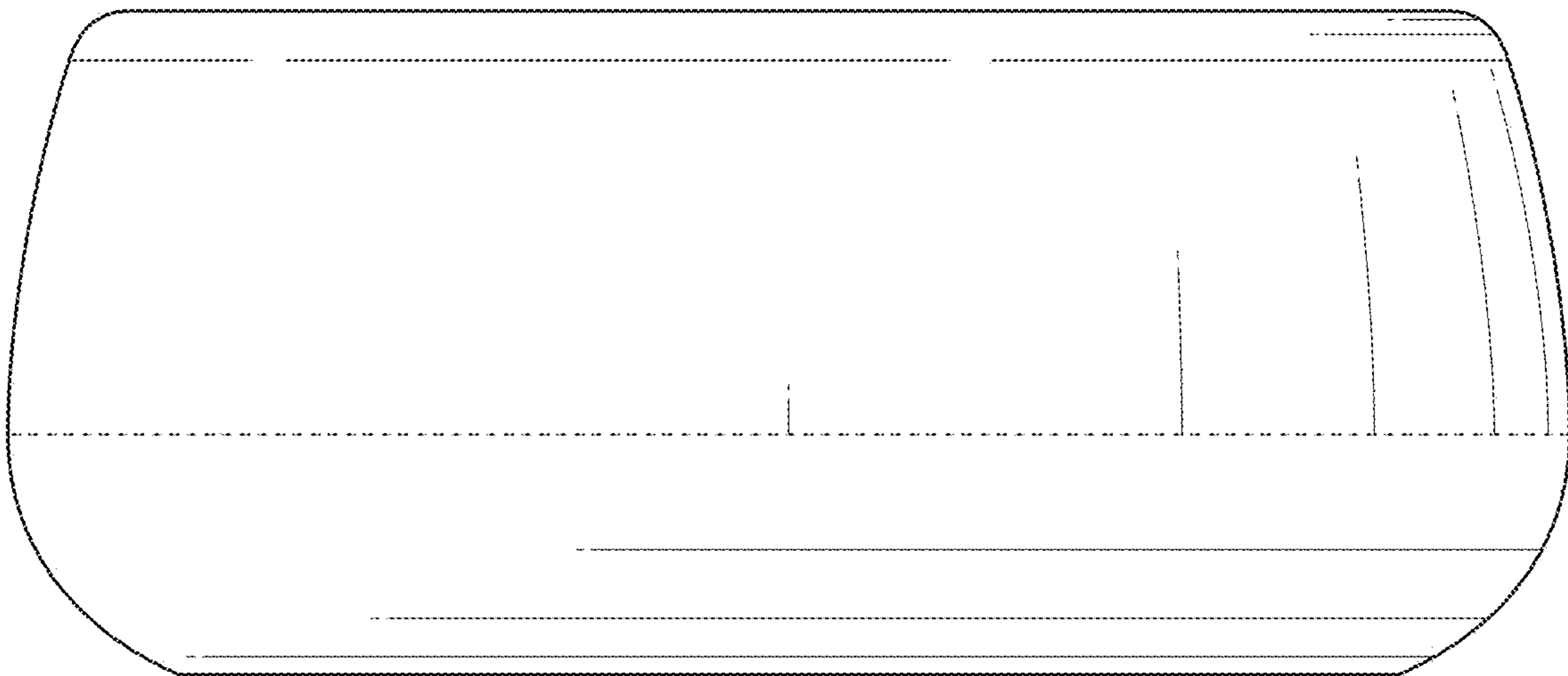


FIG. 3

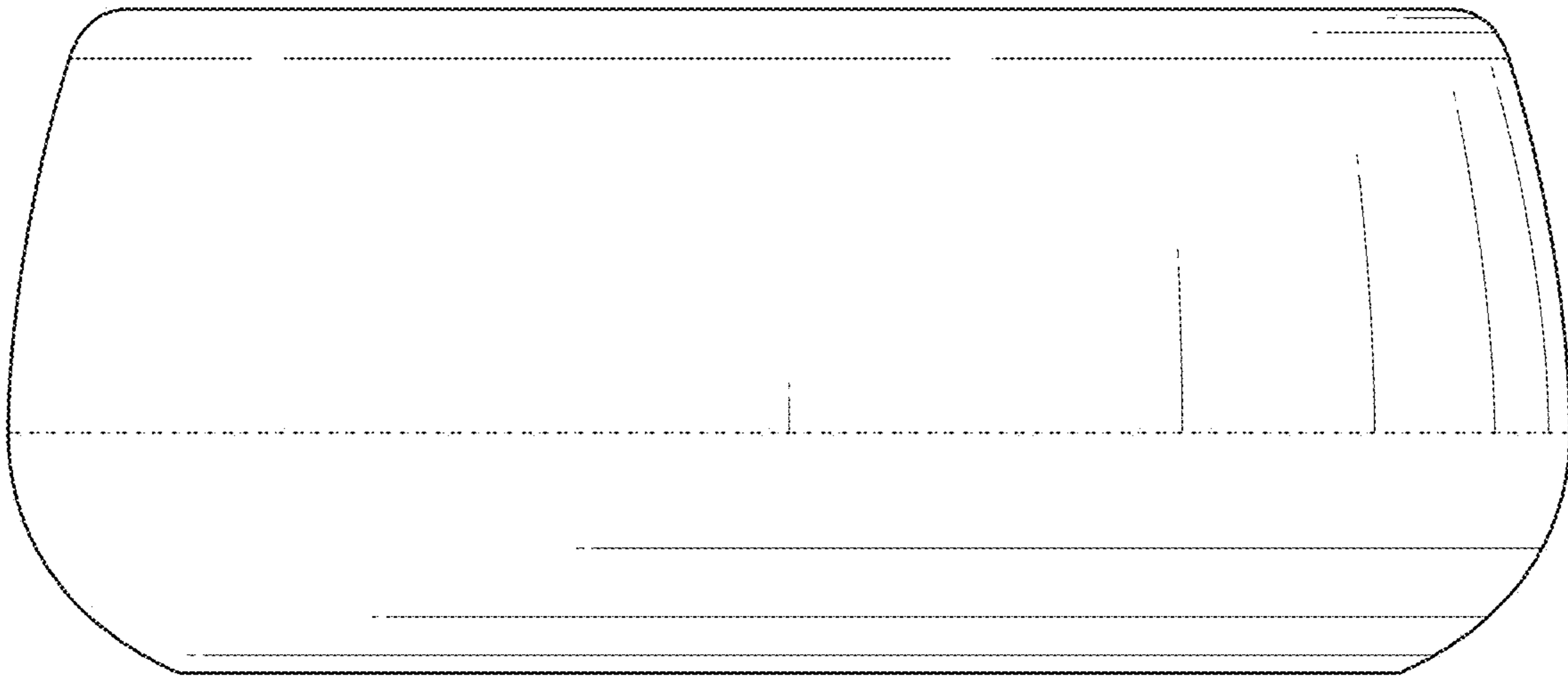


FIG. 4

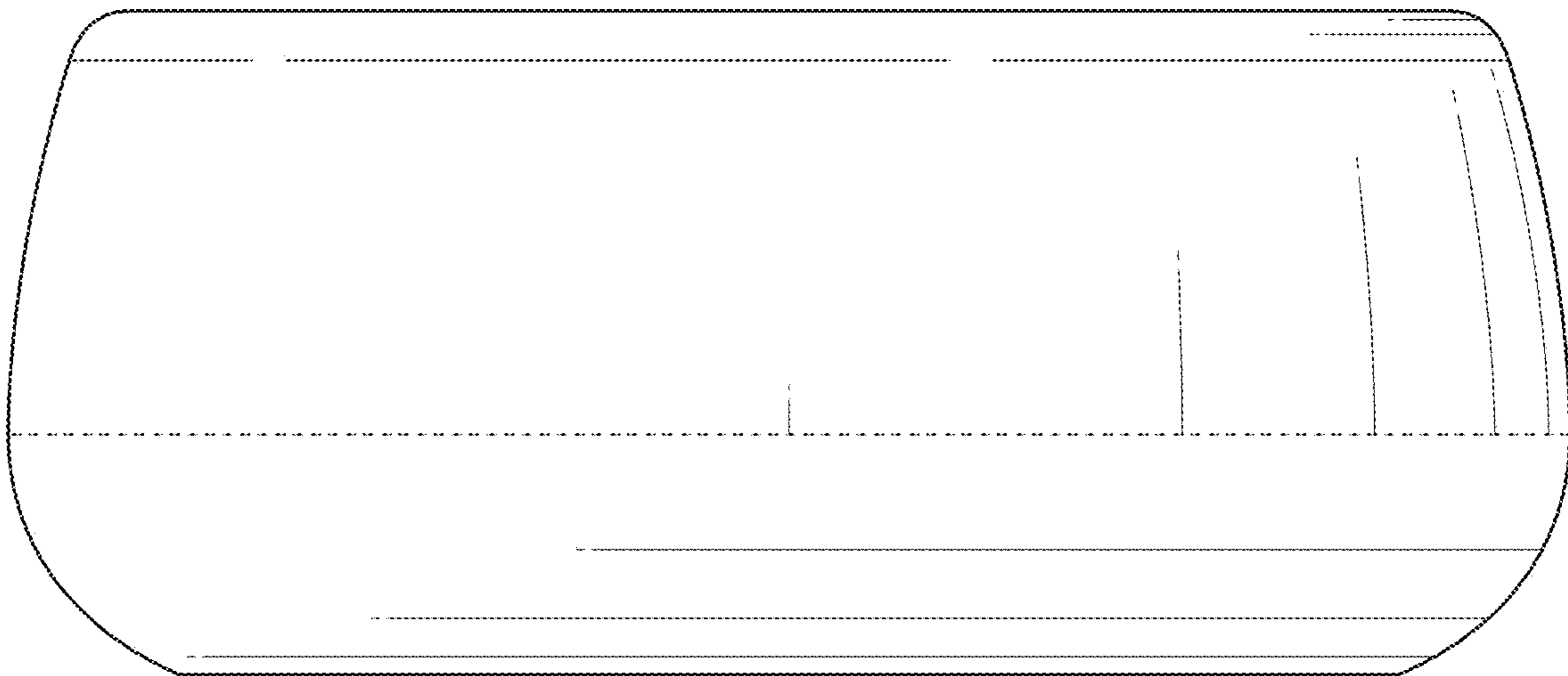


FIG. 5

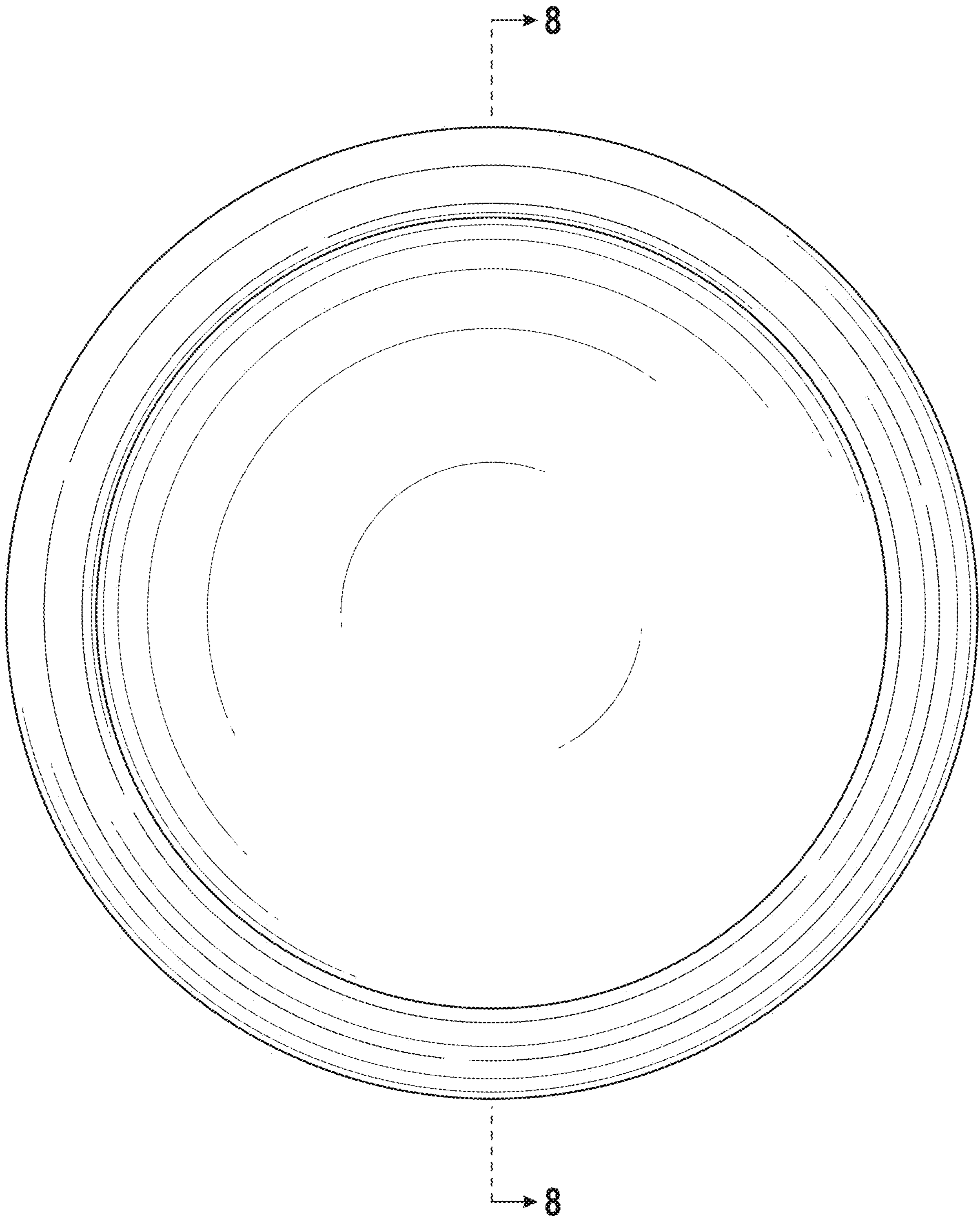


FIG. 6

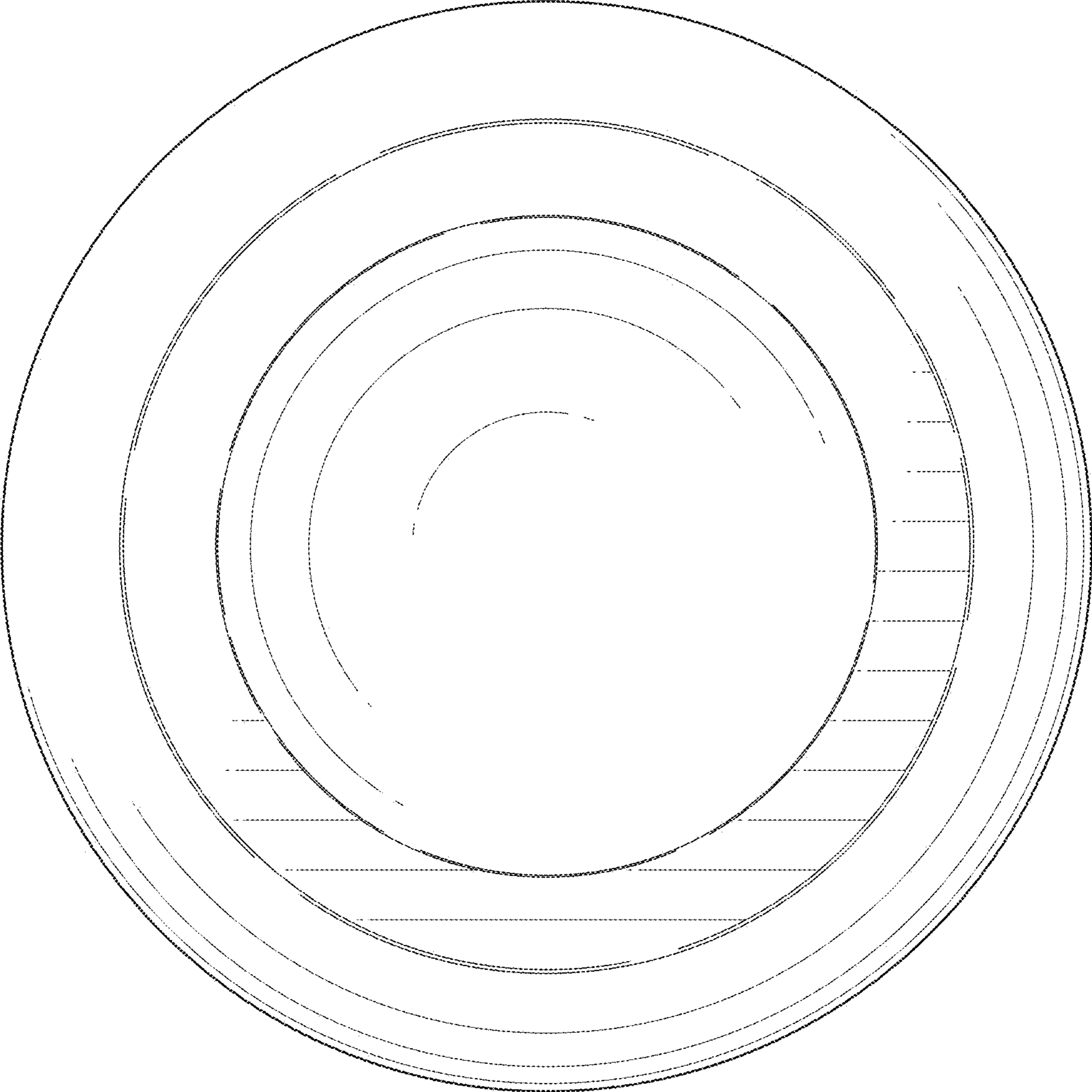


FIG. 7

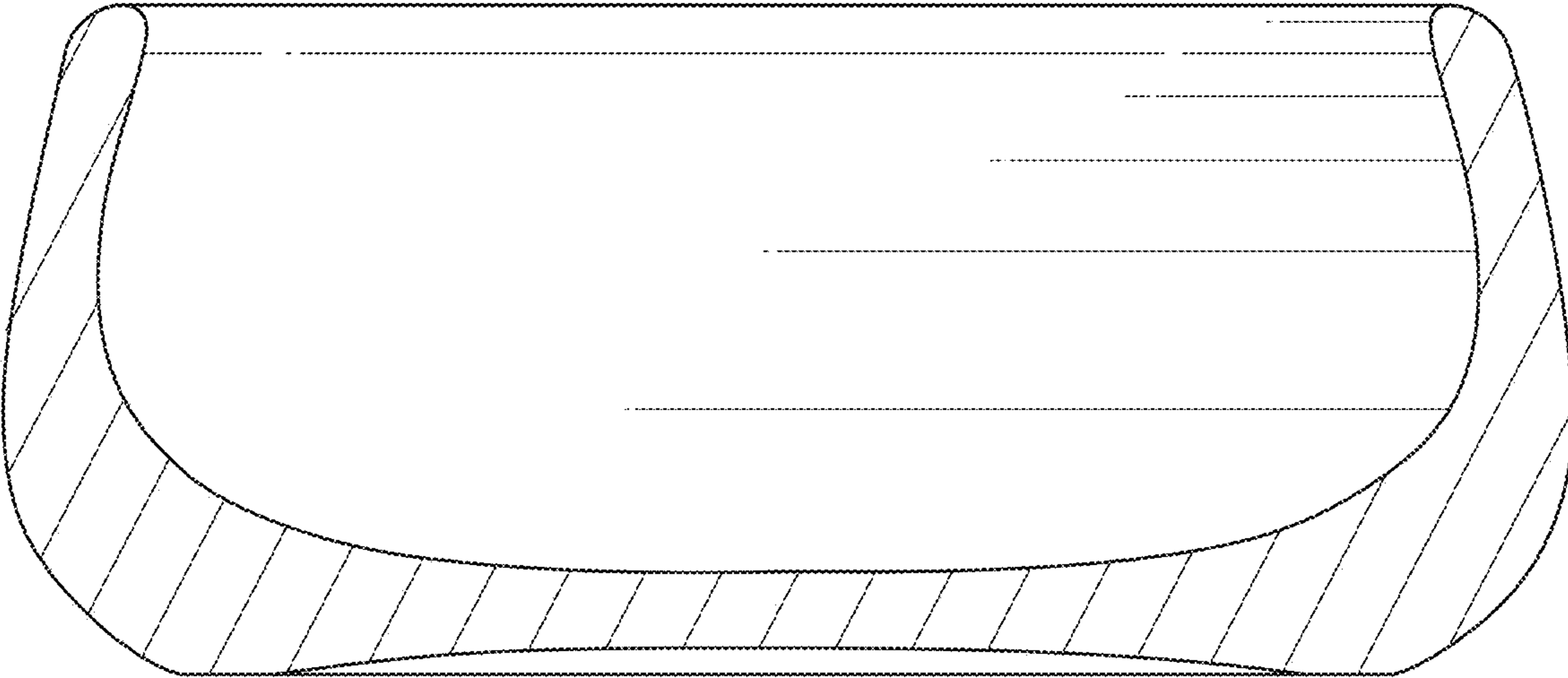


FIG. 8