



US00D927935S

(12) **United States Design Patent**
Ames

(10) **Patent No.:** **US D927,935 S**

(45) **Date of Patent:** **** *Aug. 17, 2021**

(54) **TUMBLER**

(71) Applicant: **Real Value LLC**, Norman, OK (US)

(72) Inventor: **Micah Ames**, Oklahoma City, OK (US)

(73) Assignee: **Real Value LLC**, Moore, OK (US)

(*) Notice: This patent is subject to a terminal disclaimer.

(**) Term: **15 Years**

(21) Appl. No.: **29/690,671**

(22) Filed: **May 9, 2019**

(51) **LOC (13) Cl.** **07-01**

(52) **U.S. Cl.**
USPC **D7/510; D7/507; D7/523**

(58) **Field of Classification Search**

USPC D7/507, 509, 510, 511, 529, 531, 532,
D7/523, 533, 534, 535, 536, 392.1, 296.1,
D7/396.2, 300.1, 608; D3/202; D26/9

CPC A47G 19/22; A47G 19/2288; A47G
19/2205; A47J 41/0077; A47J 41/0088

See application file for complete search history.

(56) **References Cited**

U.S. PATENT DOCUMENTS

4,494,668	A *	1/1985	Lottick	A47G 19/2266 215/229
D485,759	S *	1/2004	Janky	D7/392.1
D604,103	S *	11/2009	Alviar	D7/510
D608,140	S *	1/2010	Gilbert	D7/396.2
D620,357	S	7/2010	Jewett et al.		
D623,017	S *	9/2010	George	D7/510
D632,132	S *	2/2011	George	D7/510
D643,245	S *	8/2011	Minarsch	D7/392.1
D648,177	S	11/2011	Eyal		
D667,265	S *	9/2012	George	D7/396.2
D672,238	S	12/2012	Aziz et al.		

D672,609	S	12/2012	Aziz et al.		
D700,012	S	2/2014	Hurley et al.		
D717,115	S *	11/2014	Lane	D7/511
D721,540	S *	1/2015	Grcic	D7/511
D723,333	S	3/2015	Lin		
D724,385	S	3/2015	Hurley et al.		
D725,965	S *	4/2015	Bo	D7/510
D787,935	S	5/2017	Kaiser		
D790,920	S	7/2017	Goodwin et al.		
D791,579	S	7/2017	Perry et al.		
D803,684	S *	11/2017	Seiders	D9/449
D808,220	S	1/2018	Burns et al.		
D809,920	S	2/2018	Maple		
D810,504	S	2/2018	Goodwin et al.		
D811,818	S	3/2018	Wu		
D812,428	S	3/2018	Wu		
D815,908	S	4/2018	Kauss et al.		
D822,439	S	7/2018	Spivey et al.		
D834,882	S *	12/2018	Seiders	D7/392.1
D863,876	S *	10/2019	Alprin	D7/392.1
D886,514	S *	6/2020	Kander	D7/392
D891,866	S *	8/2020	Ames	D7/510

(Continued)

Primary Examiner — Jae Liang

(74) *Attorney, Agent, or Firm* — Hall Estill Law Firm

(57) **CLAIM**

The ornamental design for a tumbler, as shown and described.

DESCRIPTION

FIG. 1 is a top, perspective view showing a third embodiment of my new design for a tumbler.

FIG. 2 is a bottom, perspective view of FIG. 1.

FIG. 3 is a front side elevation view of FIG. 1.

FIG. 4 is a rear side elevation view of FIG. 1.

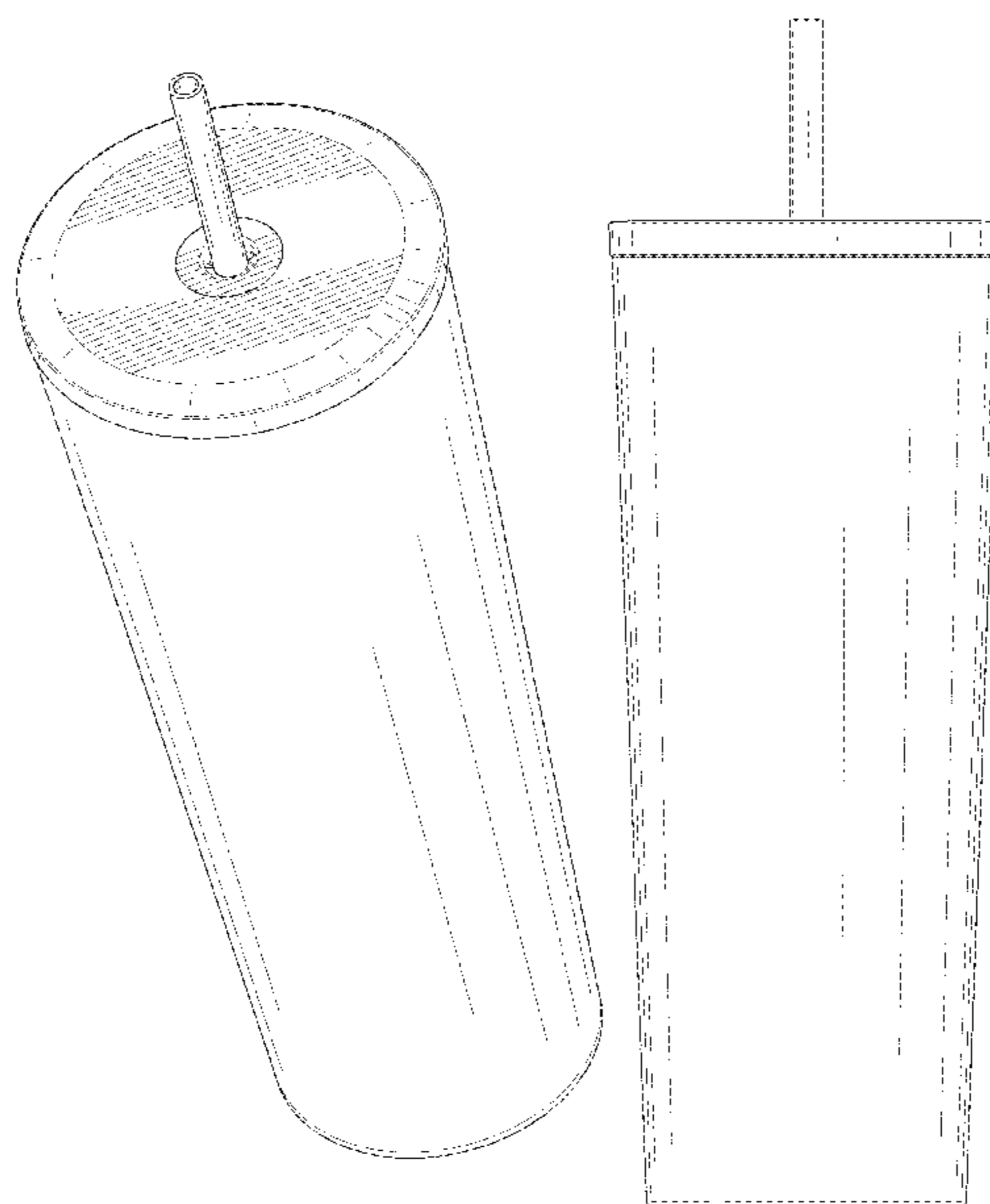
FIG. 5 is a left side elevation view of FIG. 1.

FIG. 6 is right side elevation view of FIG. 1.

FIG. 7 is a top view of FIG. 1; and,

FIG. 8 is a bottom view of FIG. 1.

1 Claim, 7 Drawing Sheets



(56)

References Cited

U.S. PATENT DOCUMENTS

2008/0264959 A1* 10/2008 Unda B65D 1/265
220/711
2012/0132658 A1* 5/2012 Dans G01K 15/005
220/592.2
2018/0194520 A1* 7/2018 Lovern A01N 25/34

* cited by examiner

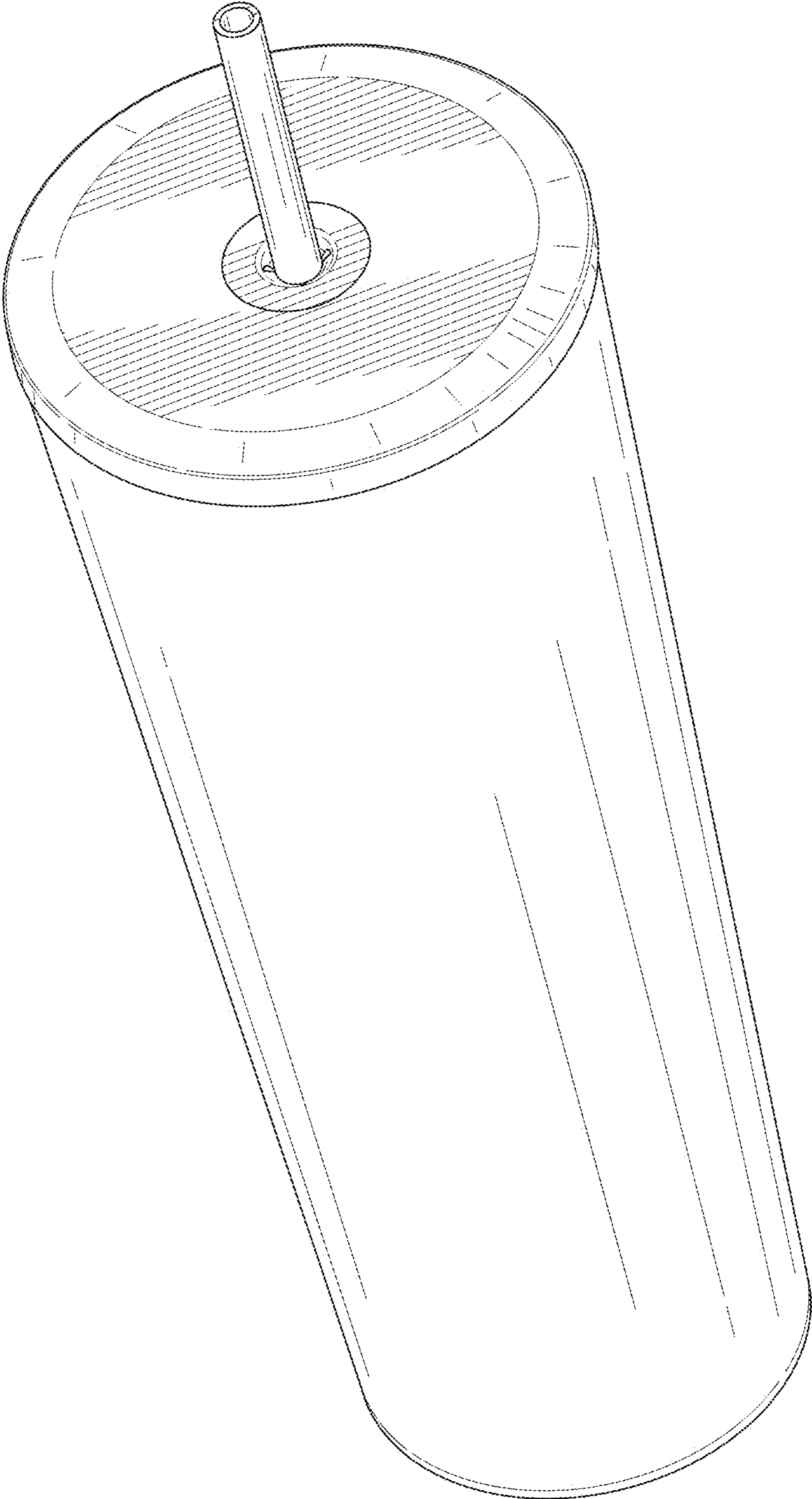


FIG. 1



FIG. 2

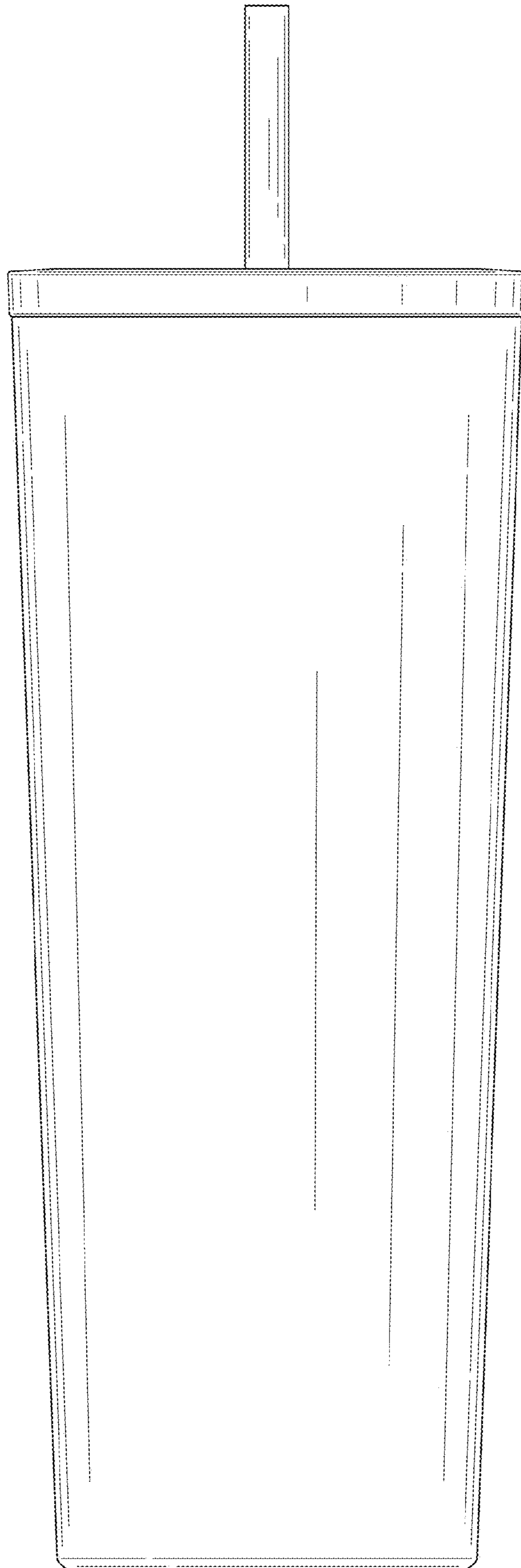


FIG. 3

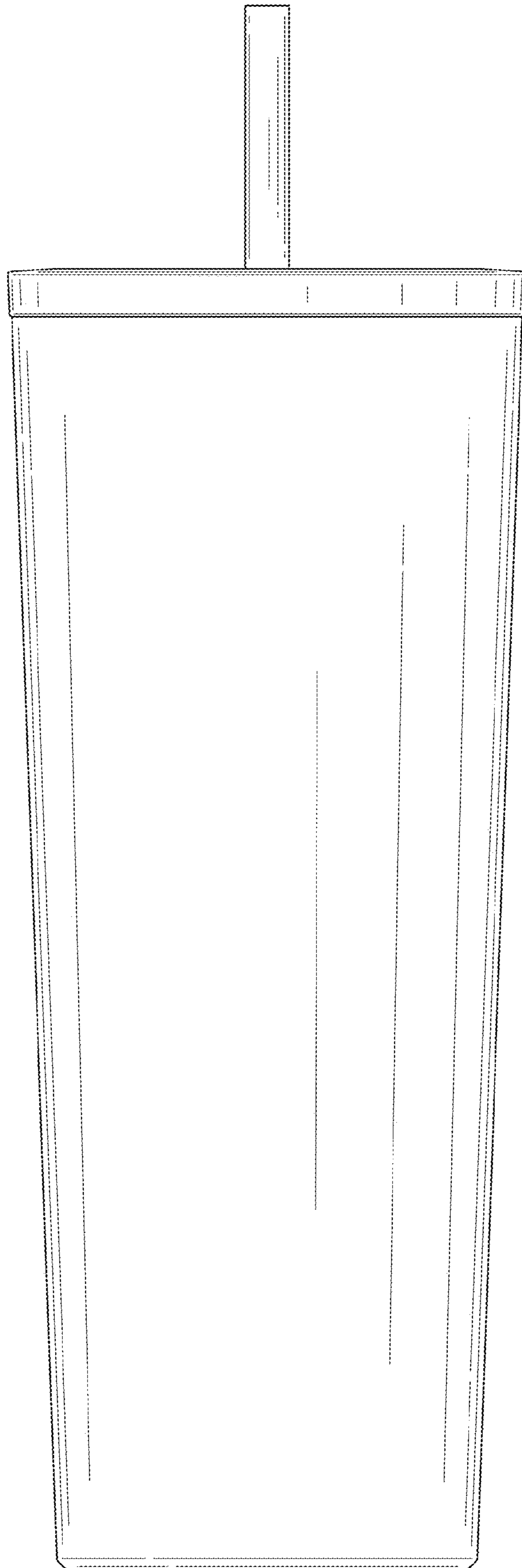


FIG. 4

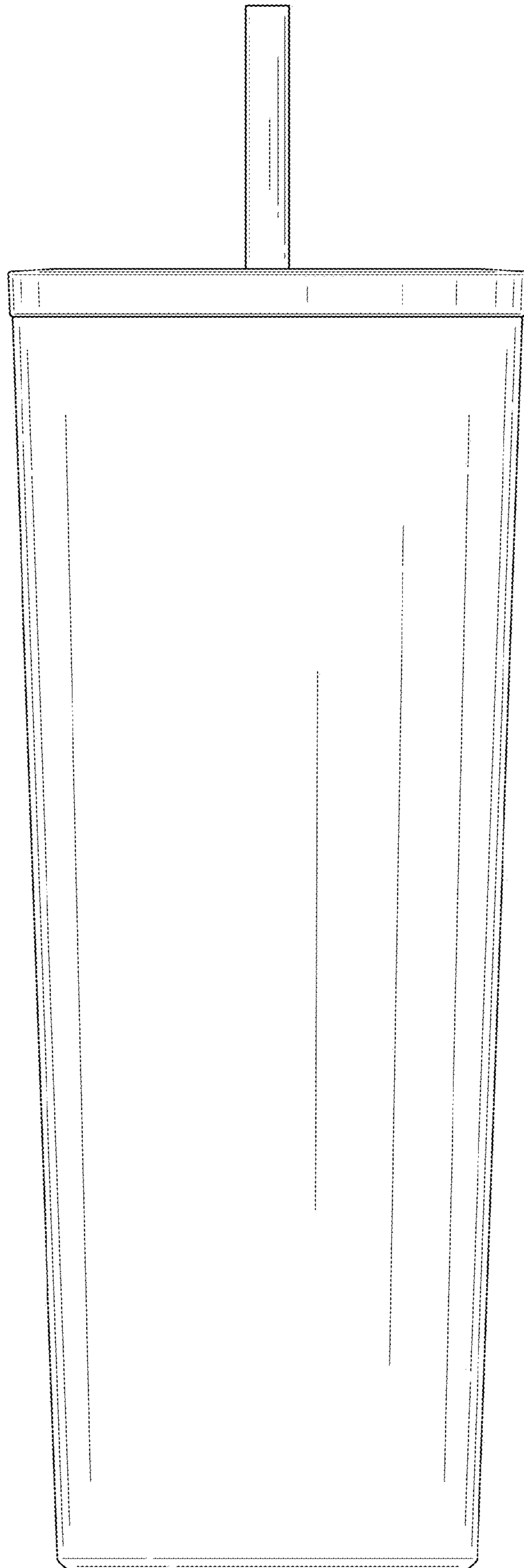


FIG. 5

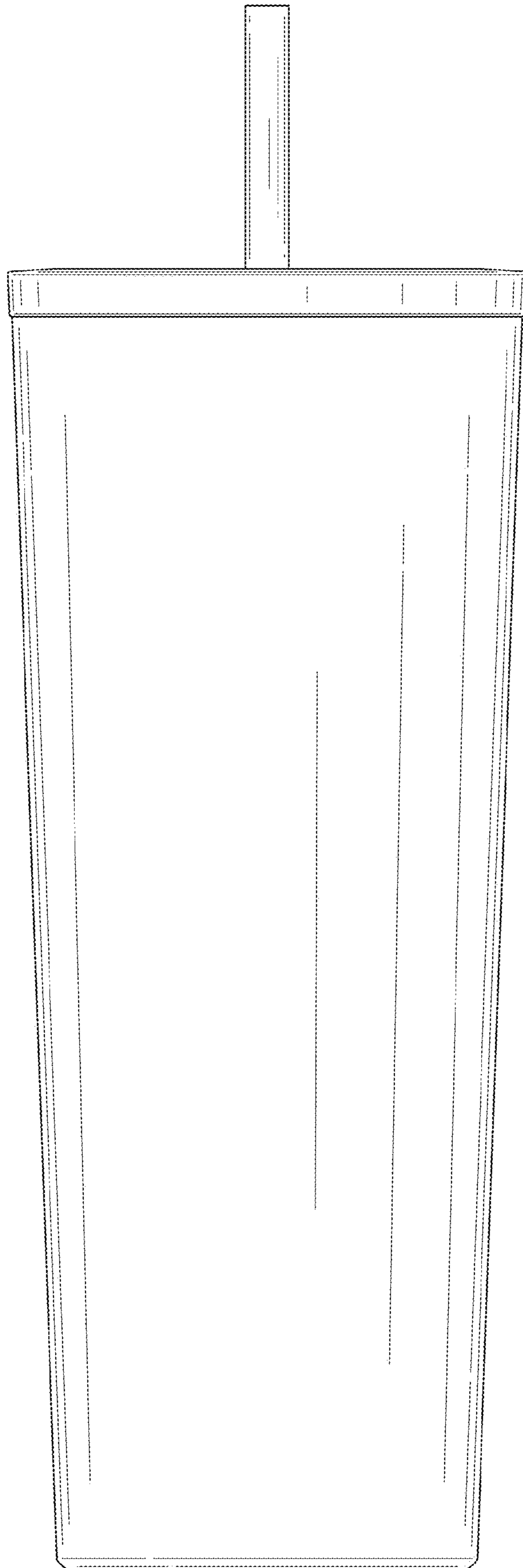


FIG. 6

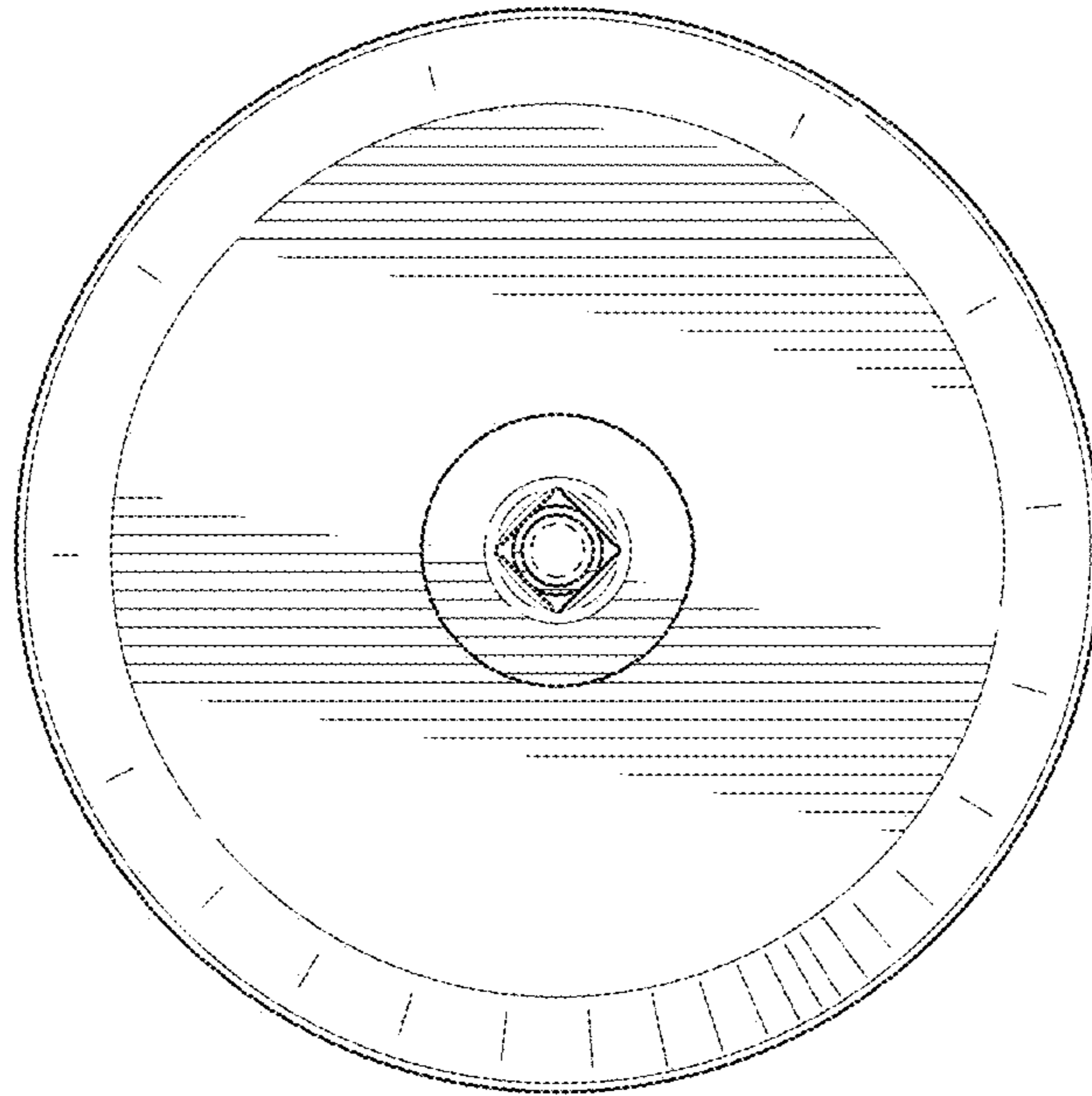


FIG. 7

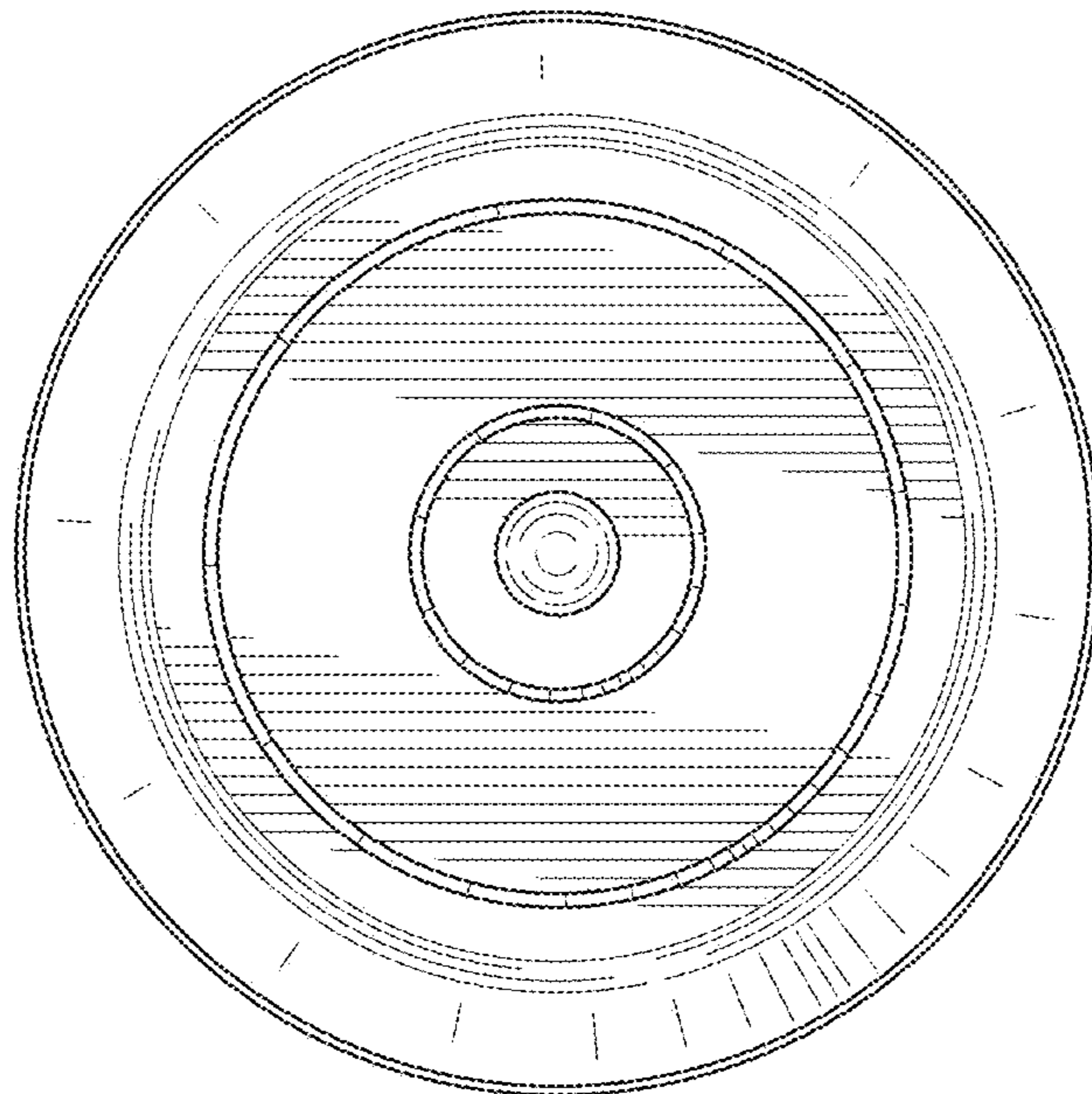


FIG. 8