



US00D927934S

(12) **United States Design Patent**  
**Jianyi et al.**

(10) **Patent No.:** **US D927,934 S**

(45) **Date of Patent:** **\*\* Aug. 17, 2021**

(54) **TUMBLER**

(71) Applicant: **Scribe OpCo, Inc.**, Clearwater, FL  
(US)

(72) Inventors: **Shi Jianyi**, Yongkang (CN); **Rachel Rosario**, St. Petersburg, FL (US)

(73) Assignee: **SCRIBE OPCO, INC.**, Clearwater, FL  
(US)

(\*\*) Term: **15 Years**

(21) Appl. No.: **29/682,217**

(22) Filed: **Mar. 4, 2019**

(51) **LOC (13) Cl.** ..... **07-01**

(52) **U.S. Cl.**  
USPC ..... **D7/510; D7/624.2; D7/608**

(58) **Field of Classification Search**  
USPC ..... **D7/387, 392, 392.1, 396.1, 396.2, 396.3, D7/396.4, 396.5, 396.6, 509, 510, 511,**  
(Continued)

(56) **References Cited**

**U.S. PATENT DOCUMENTS**

D457,779 S \* 5/2002 Gullickson ..... D7/392.1  
D470,050 S \* 2/2003 Renz ..... D7/396.2  
(Continued)

**FOREIGN PATENT DOCUMENTS**

CN 304454175 \* 1/2018  
CN 304709192 \* 7/2018  
EM 003110212-0006 \* 7/2016

**OTHER PUBLICATIONS**

Super Sasha, "Things We Love: Big Mouth Toys," Dec. 6, 2013, Fun Goods for Awesome Living, <https://2shopper.wordpress.com/2013/12/06/big-mouth-toys-awesome-gifts/>(Year: 2013).\*

(Continued)

*Primary Examiner* — Shannon W Morgan

*Assistant Examiner* — Arva P Adams

(74) *Attorney, Agent, or Firm* — Shumaker, Loop & Kendrick, LLP; James D. Miller

(57) **CLAIM**

The ornamental design for a tumbler, as shown and described.

**DESCRIPTION**

FIG. 1 is a top perspective view of a tumbler showing our new design;

FIG. 2 is a bottom perspective view thereof;

FIG. 3 is a front elevational view thereof;

FIG. 4 is a rear elevational view thereof;

FIG. 5 is a right side elevational view thereof;

FIG. 6 is a left side elevational view thereof;

FIG. 7 is a top plan view thereof;

FIG. 8 is a bottom plan view thereof;

FIG. 9 is a top perspective view of a lid of the tumbler shown in FIG. 1, shown removed for ease of illustration;

FIG. 10 is a left side elevational view thereof;

FIG. 11 is a bottom plan view of a top cover assembly without a threaded base;

FIG. 12 is a top perspective view of the tumbler of FIGS 1-8, without the top cover assembly, shown removed for ease of illustration;

FIG. 13 is a bottom perspective view thereof;

FIG. 14 is a front elevational view thereof;

FIG. 15 is a rear elevational view thereof;

FIG. 16 is a right side elevational view thereof;

FIG. 17 is a top plan view thereof;

FIG. 18 is a bottom plan view thereof;

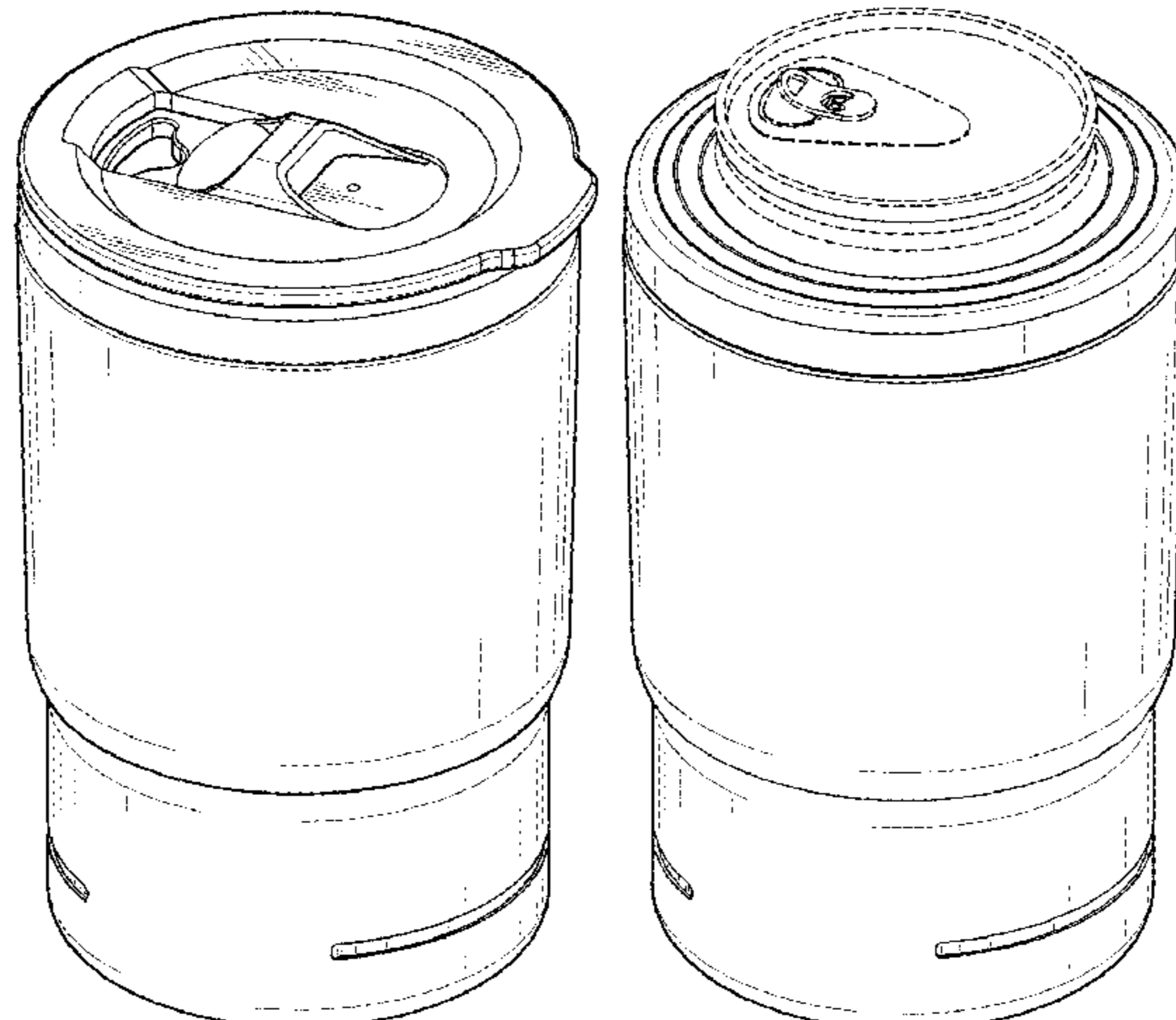
FIG. 19 is a top perspective view of the lid of the tumbler shown in FIG. 1, without the top cover assembly, shown removed for ease of illustration;

FIG. 20 is a top plan view thereof; and,

FIG. 21 is a front elevational view thereof.

The left side elevational view of the tumbler shown in FIGS. 12-18 is not shown, as the claimed subject matter is identical to the right side elevational view shown in FIG. 16.

(Continued)



The broken lines shown in the drawings depict environmental subject matter that forms no part of the claimed design.

**1 Claim, 8 Drawing Sheets**

(58) **Field of Classification Search**

USPC ..... D7/515, 522, 523, 524, 527, 529, 532, D7/533, 535, 536, 537, 592, 608, 624.1, D7/624.2, 624.3, 900; D24/197  
 CPC .. A47G 7/06; A47G 19/2272; A47G 19/2205; A47G 19/22; A47G 19/2255; A47G 19/2288; A47G 19/2227; A47G 23/0216; A47G 23/0248; A47G 23/0241; A47G 23/0258; A47J 43/042; A47J 41/0077; A47J 41/0088; A47J 41/028; D65D 23/10

See application file for complete search history.

(56) **References Cited**

U.S. PATENT DOCUMENTS

D513,939 S *	1/2006	Leonzo .....	D7/608
D541,656 S *	5/2007	Martin .....	D9/502
D675,066 S *	1/2013	Conlin .....	D7/608
D751,341 S *	3/2016	Seiders .....	D7/396.2
D780,533 S *	3/2017	Seiders .....	D7/624.2
D797,510 S *	9/2017	Ke .....	D7/523
D804,905 S *	12/2017	Seiders .....	D7/510
D808,218 S *	1/2018	Seiders .....	D7/510
D808,722 S *	1/2018	Hill .....	D7/510

D808,733 S *	1/2018	Spivey .....	D7/608
D815,893 S *	4/2018	Seiders .....	D7/396.2
D829,058 S *	9/2018	Seiders .....	D7/624.2
D830,787 S *	10/2018	Petrillo .....	A47G 19/2272 D7/624.2
D836,405 S *	12/2018	Roberts .....	A47G 23/02 D7/624.2
D836,406 S *	12/2018	Roberts .....	D7/624.2
D838,473 S *	1/2019	Stevens .....	D3/202
D872,537 S *	1/2020	Guccione .....	D7/532
D873,091 S *	1/2020	Jacobsen .....	A47G 19/2272 D7/608
D877,567 S *	3/2020	Zhang .....	D7/510
D886,526 S *	6/2020	Seiders .....	D7/510
D888,505 S *	6/2020	Seiders .....	D7/624.2
D895,367 S *	9/2020	Hamilton .....	D7/523
2017/0121073 A1 *	5/2017	Seiders .....	A47G 19/2272
2017/0273484 A1 *	9/2017	Spivey .....	A47G 19/2272

OTHER PUBLICATIONS

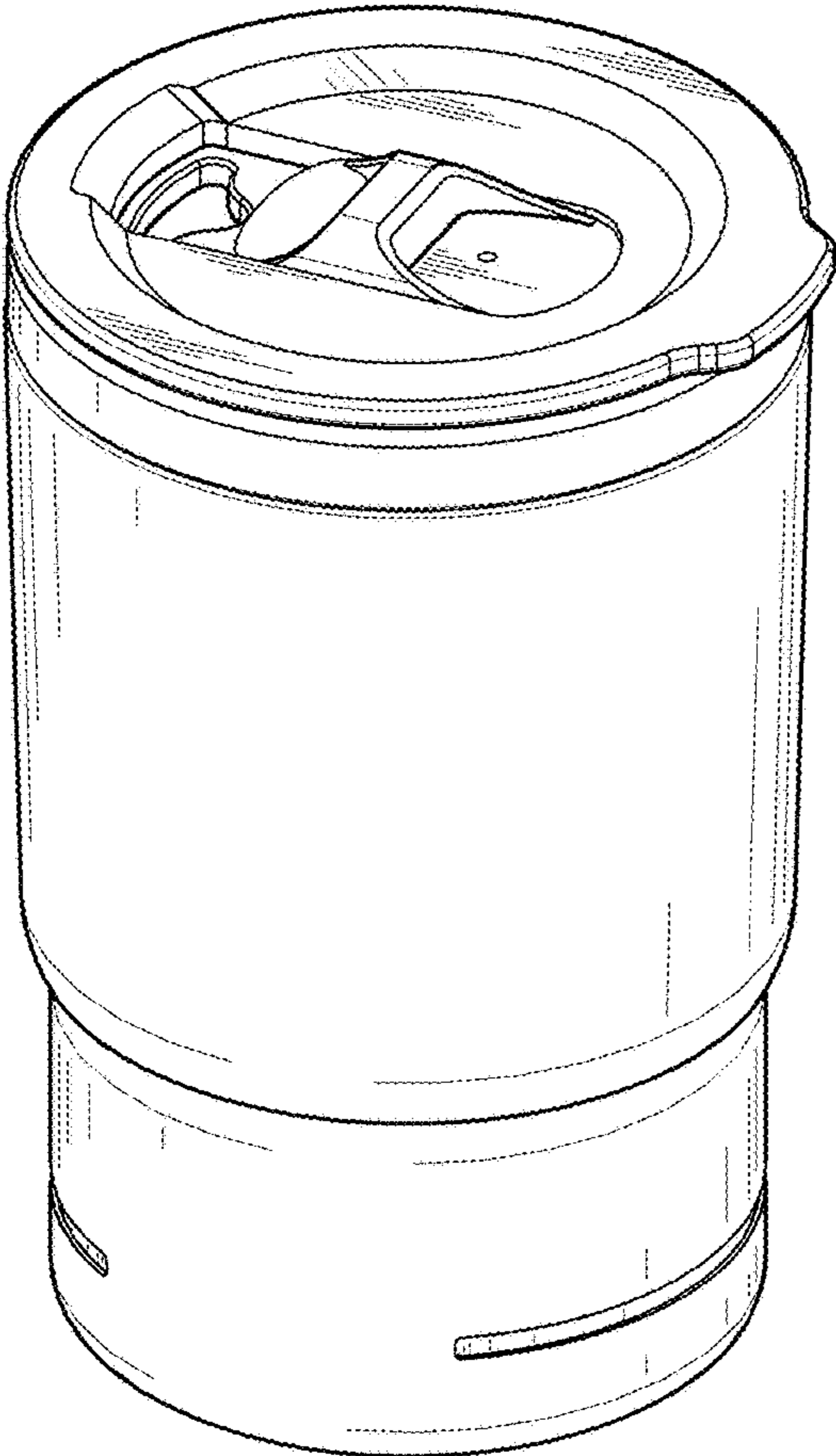
Amazwishgifts, "Gobelet isotherme," Sep. 20, 2018, Amazon.ca, [www.amazon.ca/dp/B07JD93MQ1](http://www.amazon.ca/dp/B07JD93MQ1) (Year: 2018).\*

Reduce, "Reduce 4-in-1 Stainless Steel Bottle and Can Insulator," Jun. 25, 2018, Amazon.com, [www.amazon.com/dp/B07CT5BL6S](http://www.amazon.com/dp/B07CT5BL6S) (Year: 2018).\*

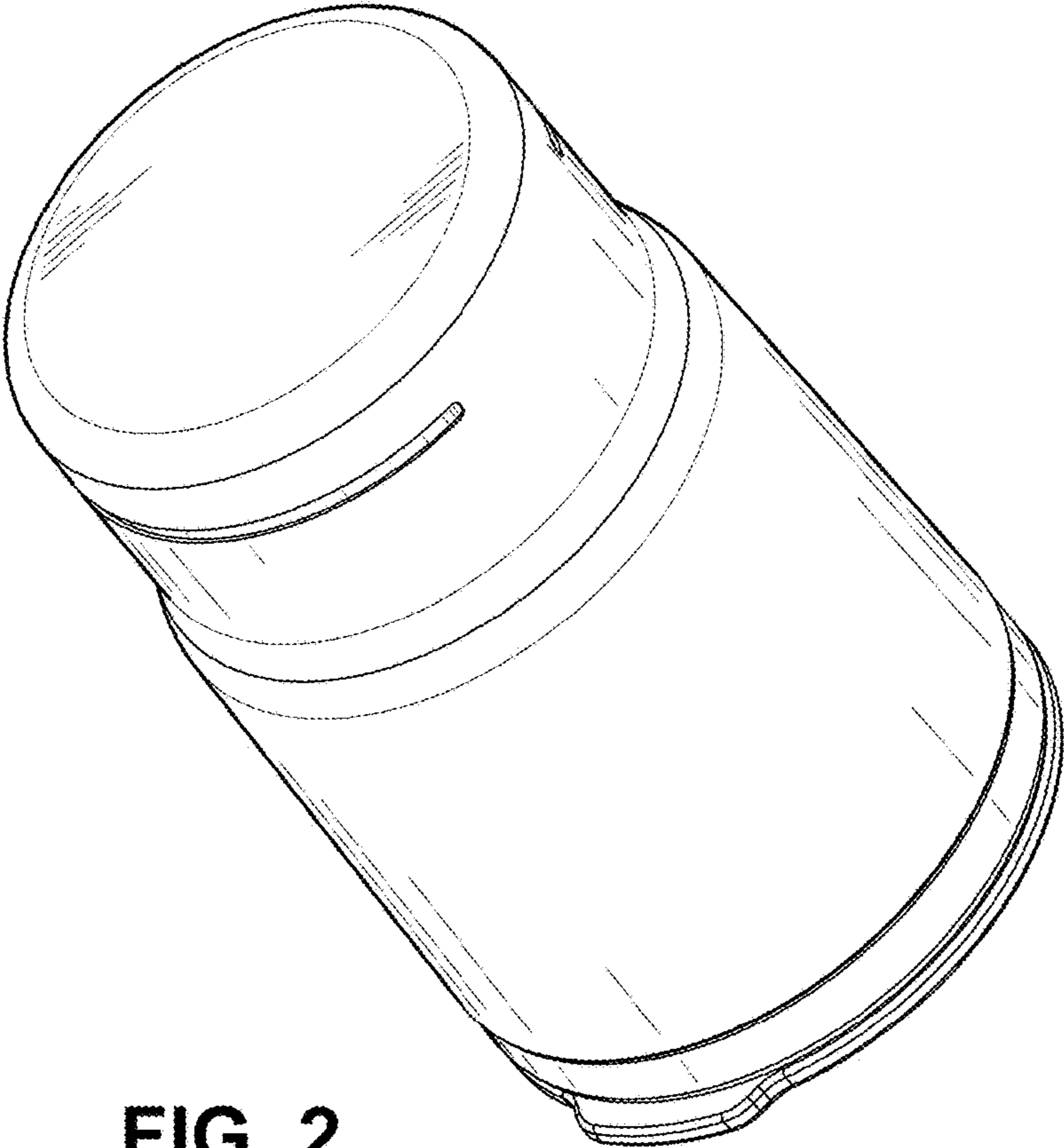
Swig, "Swig 12pz Combo Cooler-Maroon," Feb. 12, 2018, Amazon.com, [www.amazon.com/dp/B079RMHB21](http://www.amazon.com/dp/B079RMHB21) (Year: 2018).\*

Koozie, "Koozie Stainless Steel Double Wall Vacuum Insulated Triple Can Cooler, Bottle or Tumbler," Feb. 21, 2020, Amazon.com, [www.amazon.com/dp/B0851QZJKY?th=1](http://www.amazon.com/dp/B0851QZJKY?th=1) (Year: 2020).\*

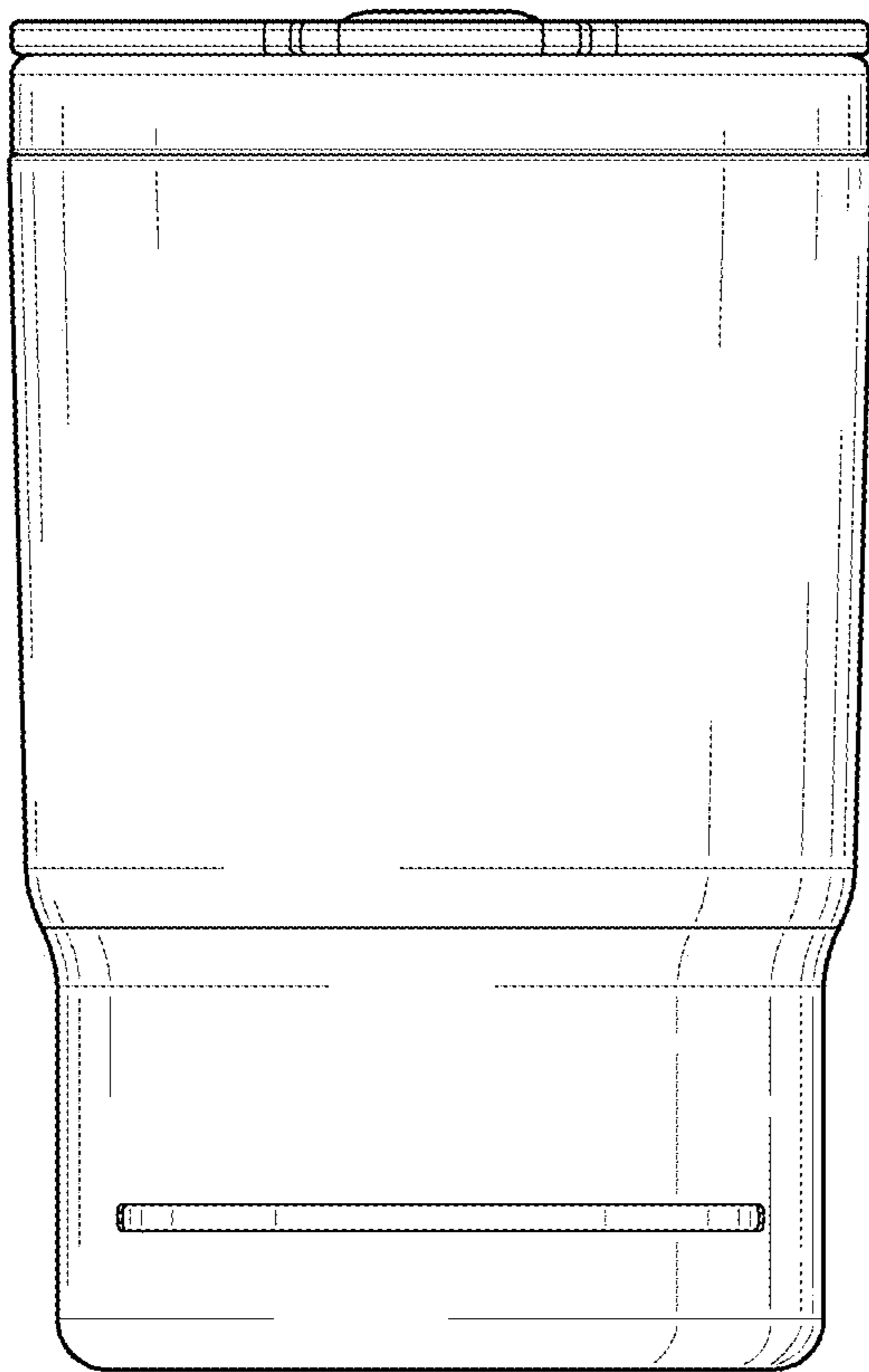
\* cited by examiner



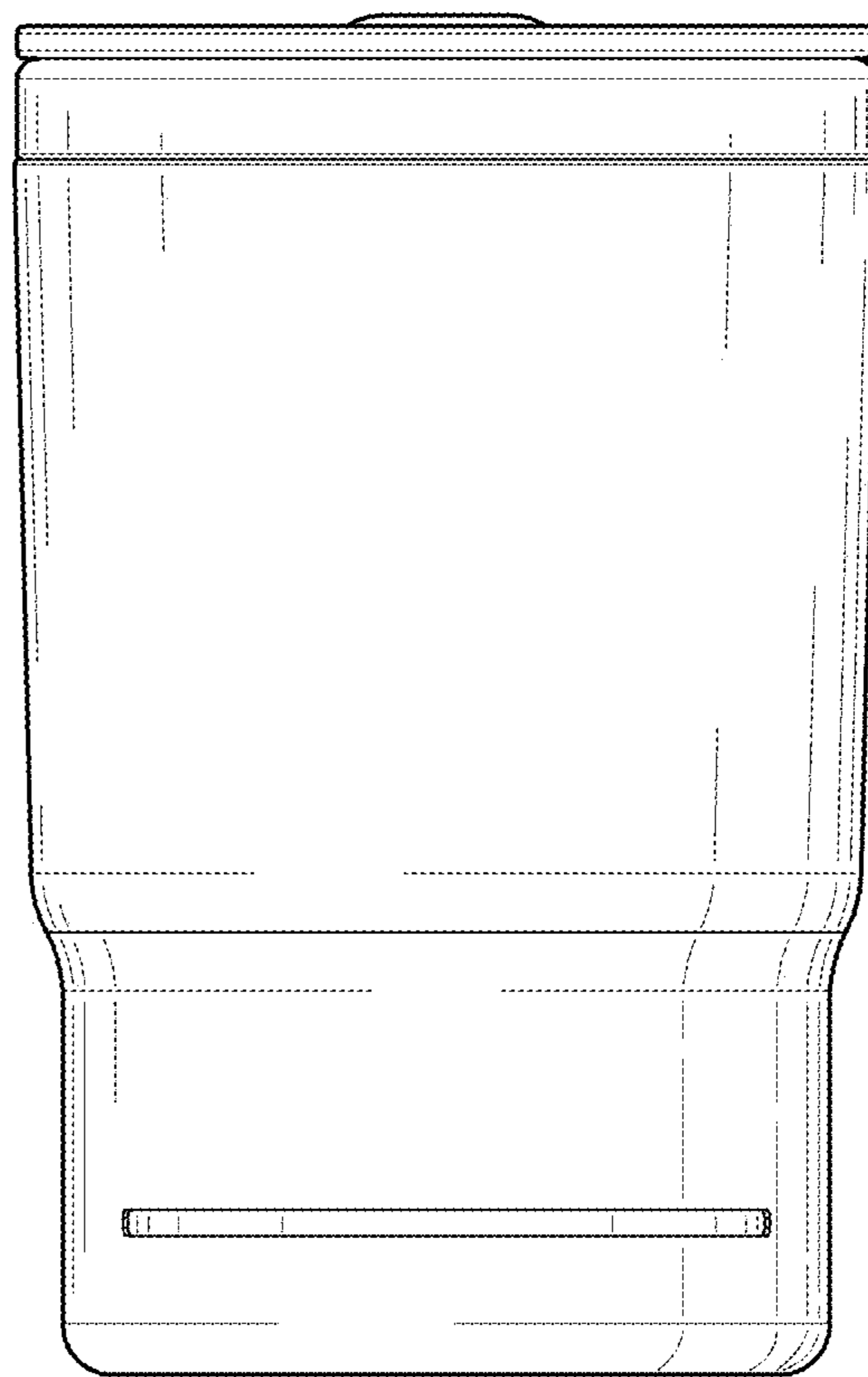
**FIG. 1**



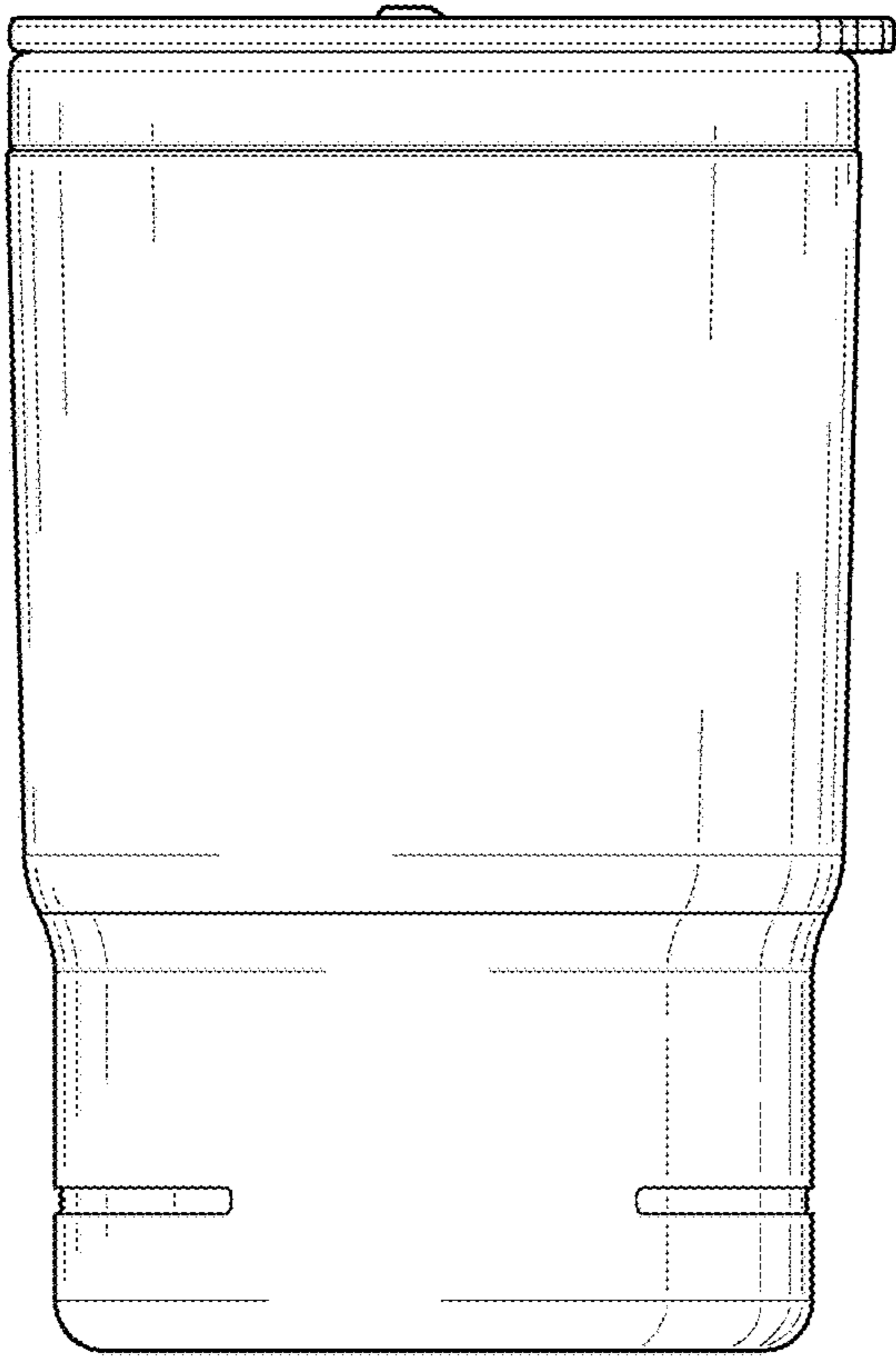
**FIG. 2**



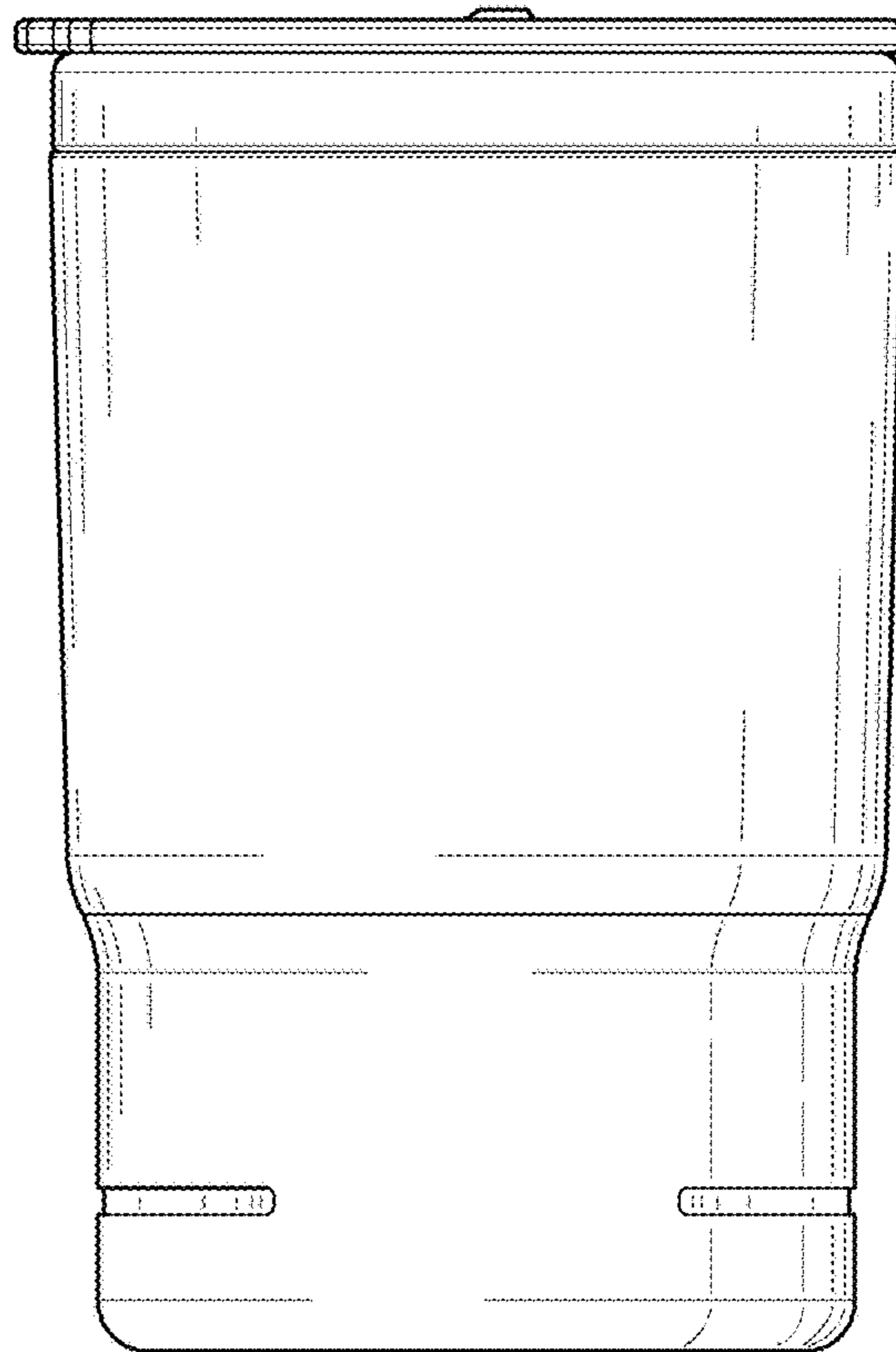
**FIG. 3**



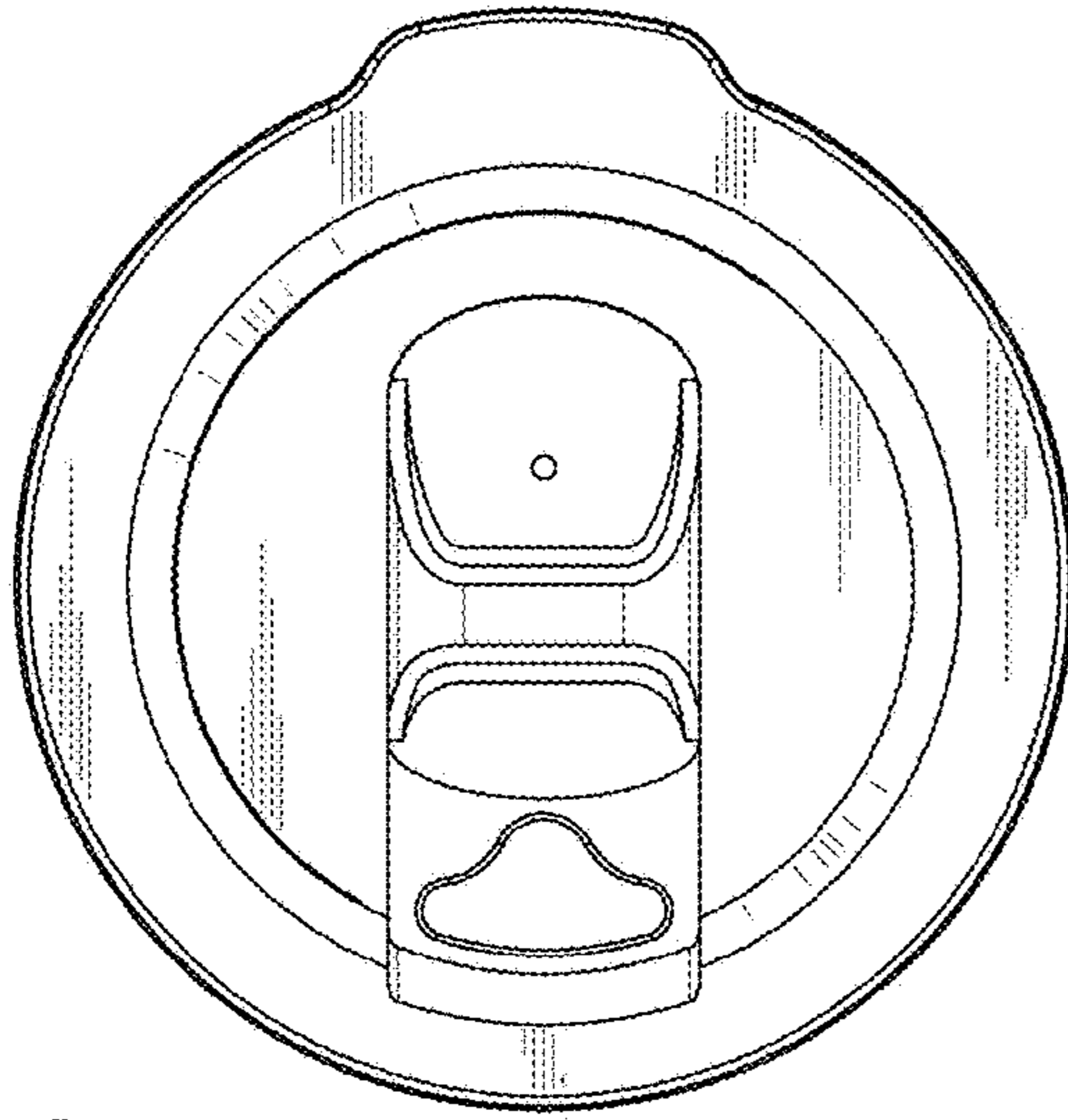
**FIG. 4**



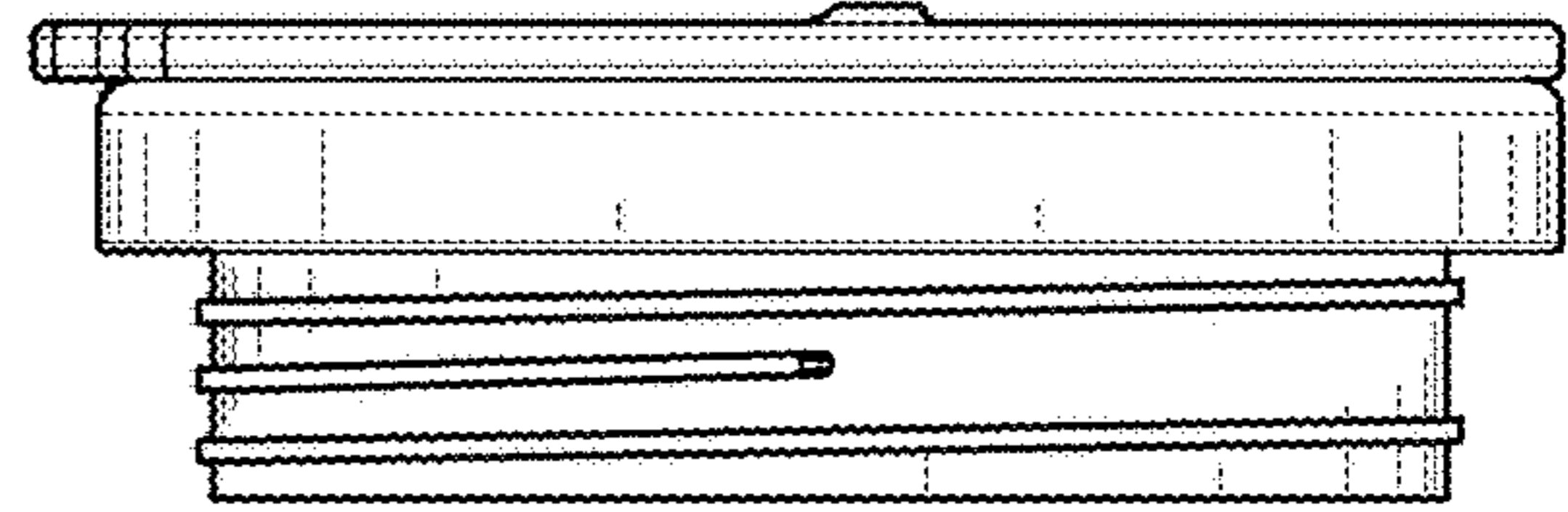
**FIG. 5**



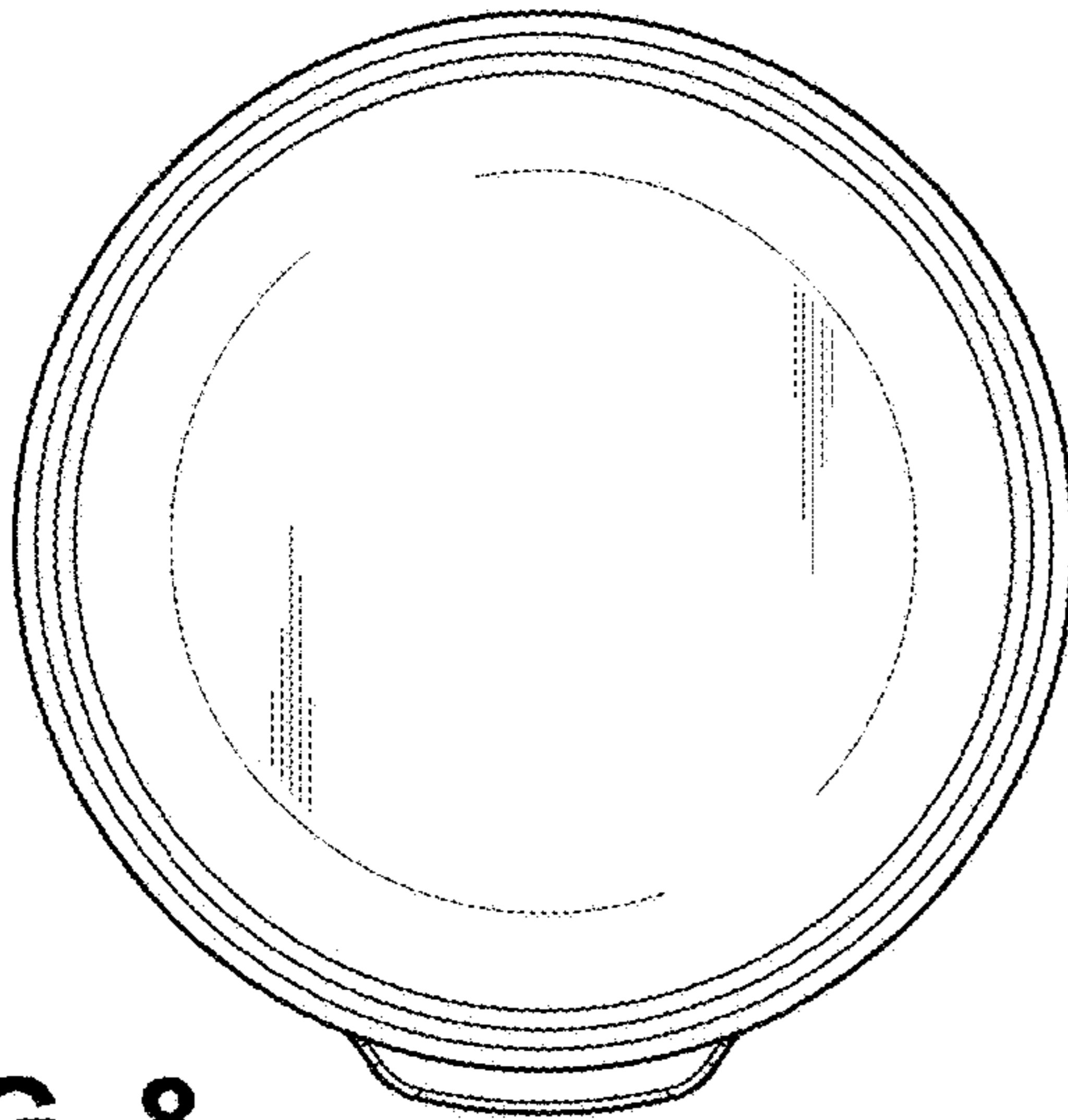
**FIG. 6**



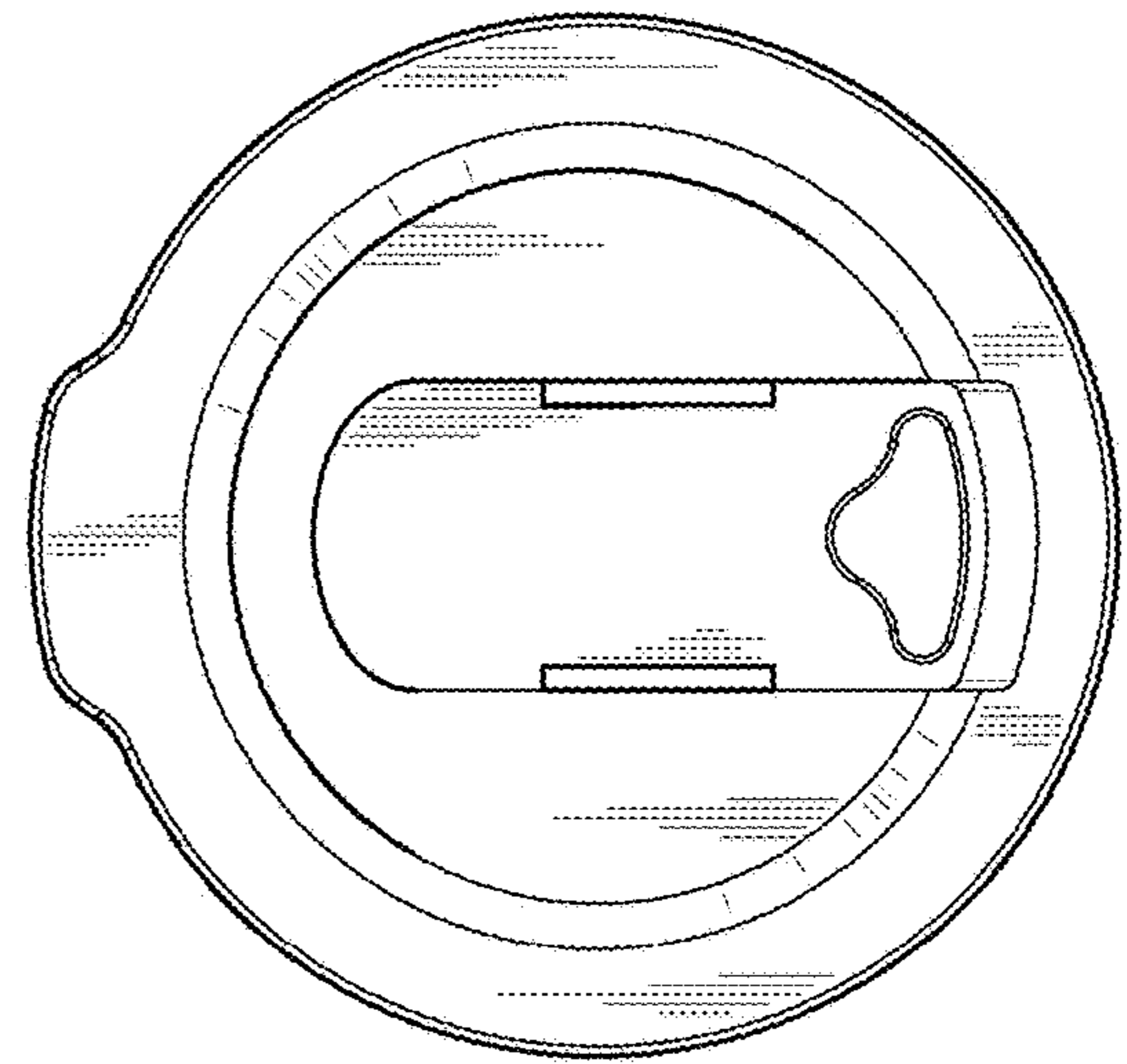
**FIG. 7**



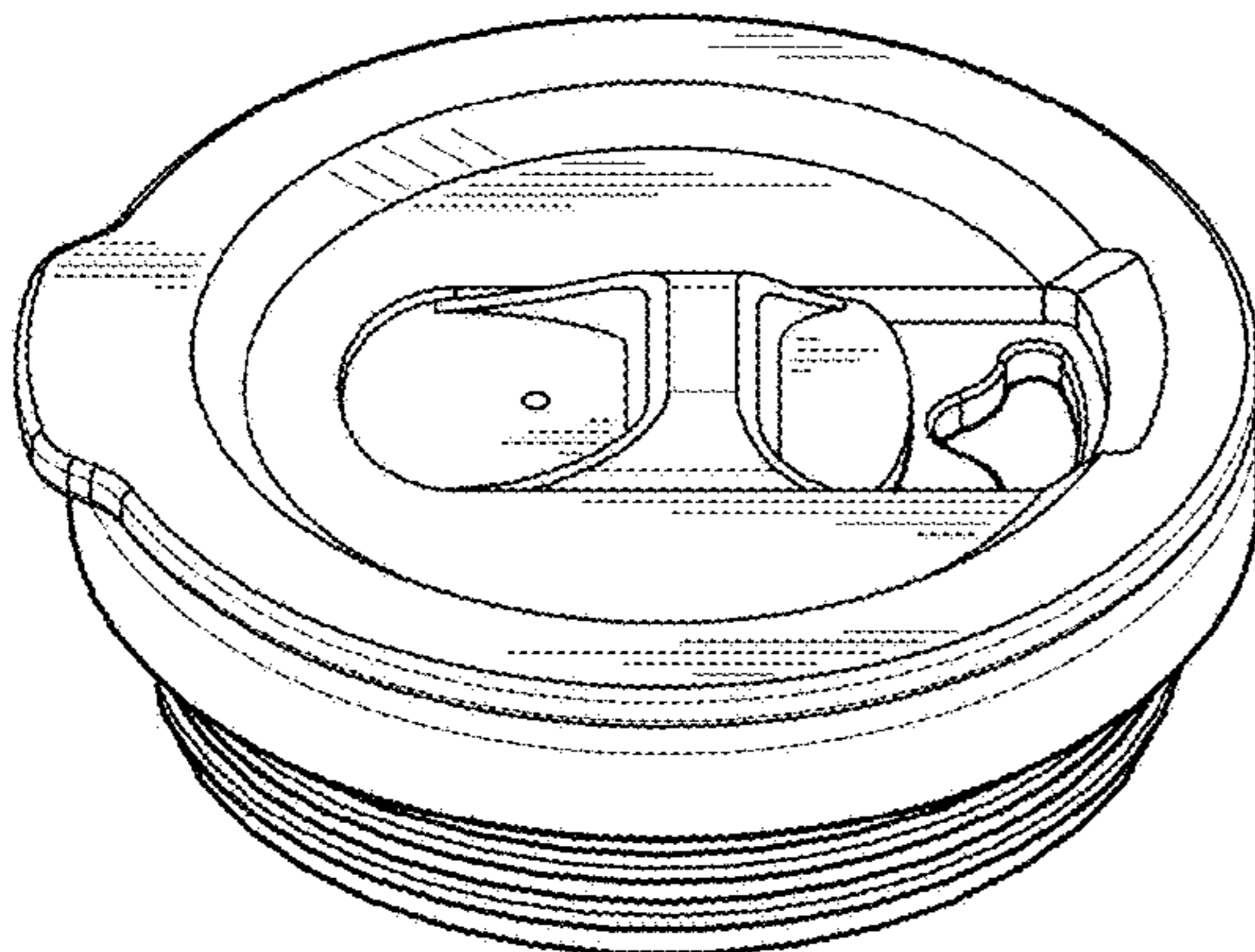
**FIG. 10**



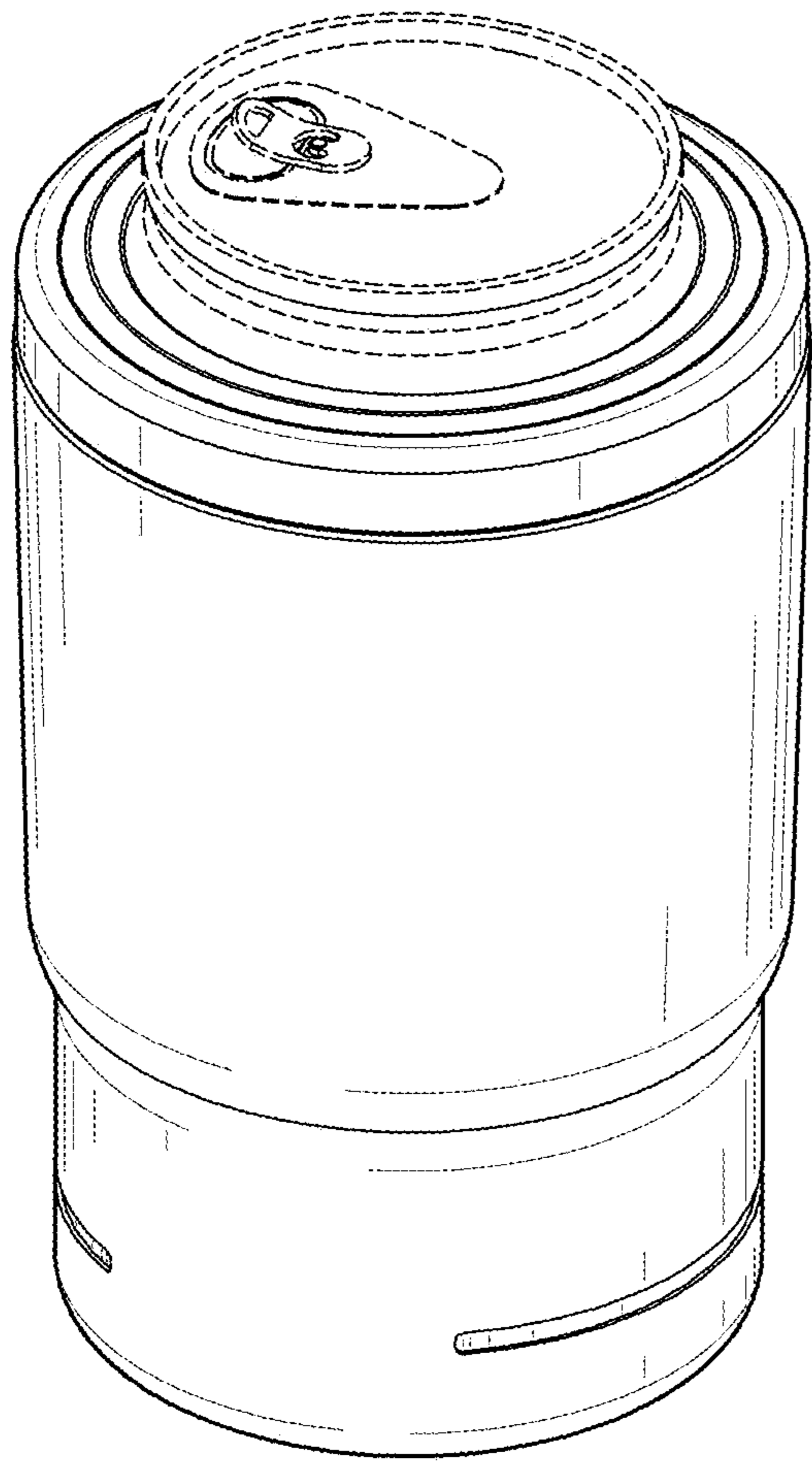
**FIG. 8**



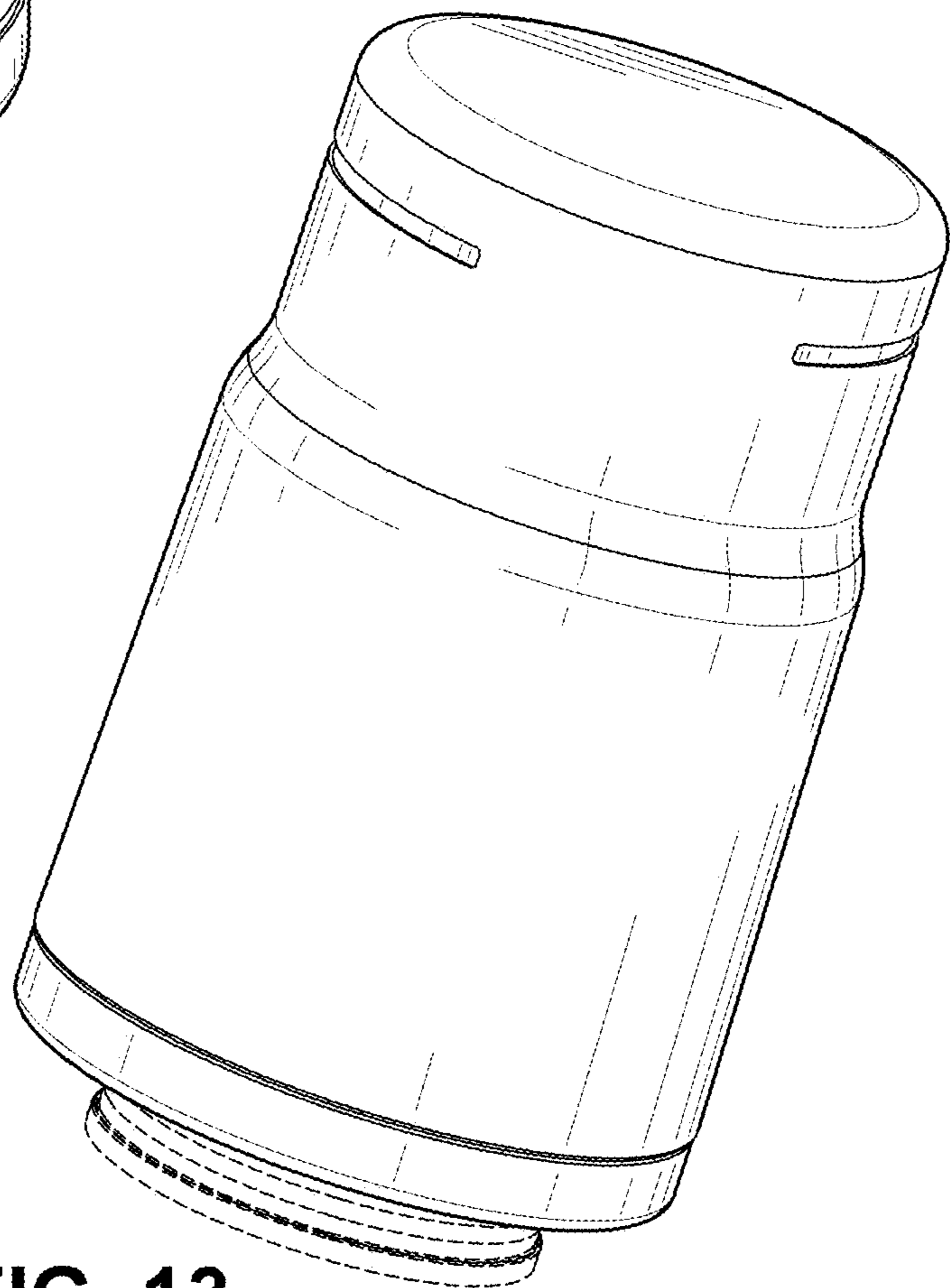
**FIG. 11**



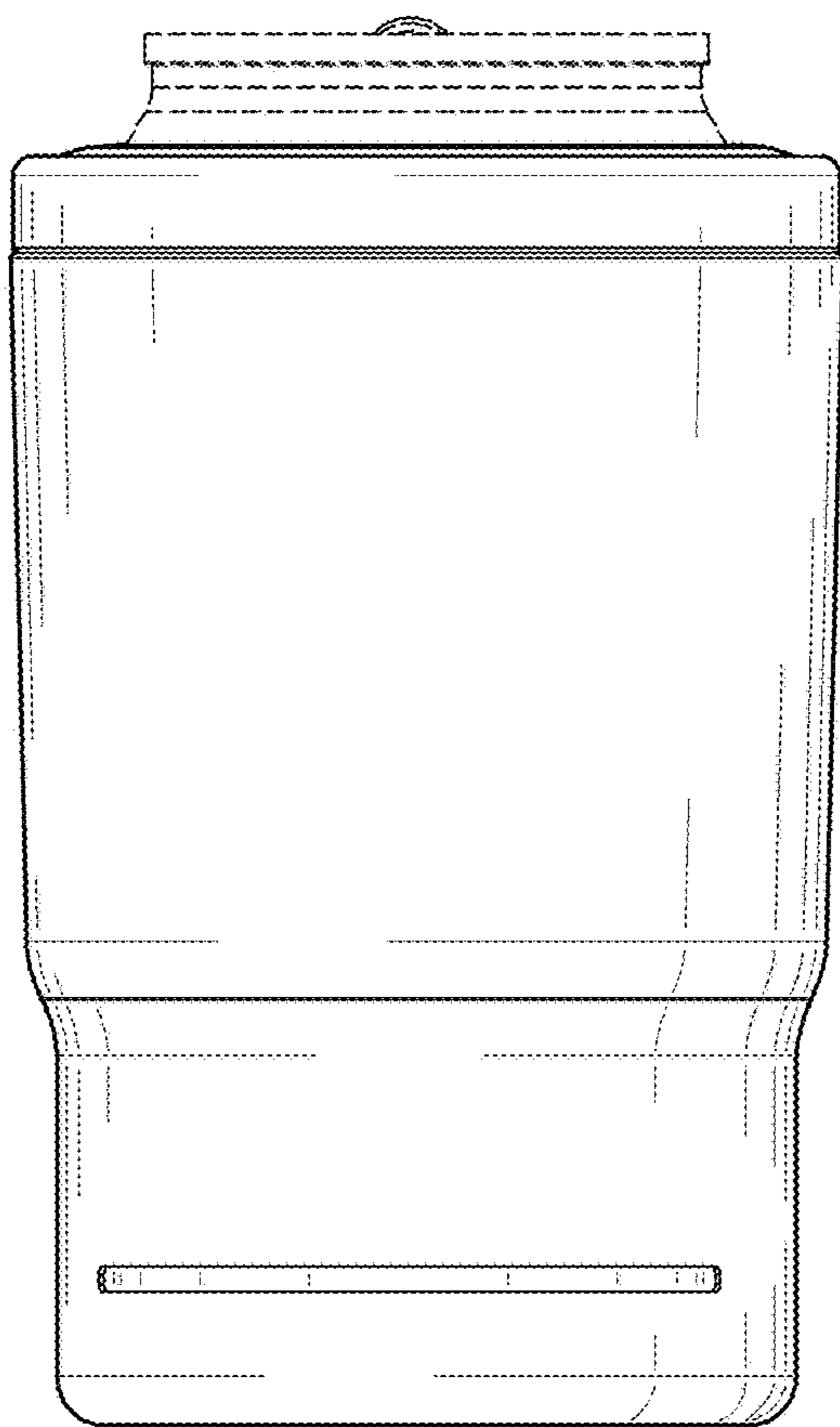
**FIG. 9**



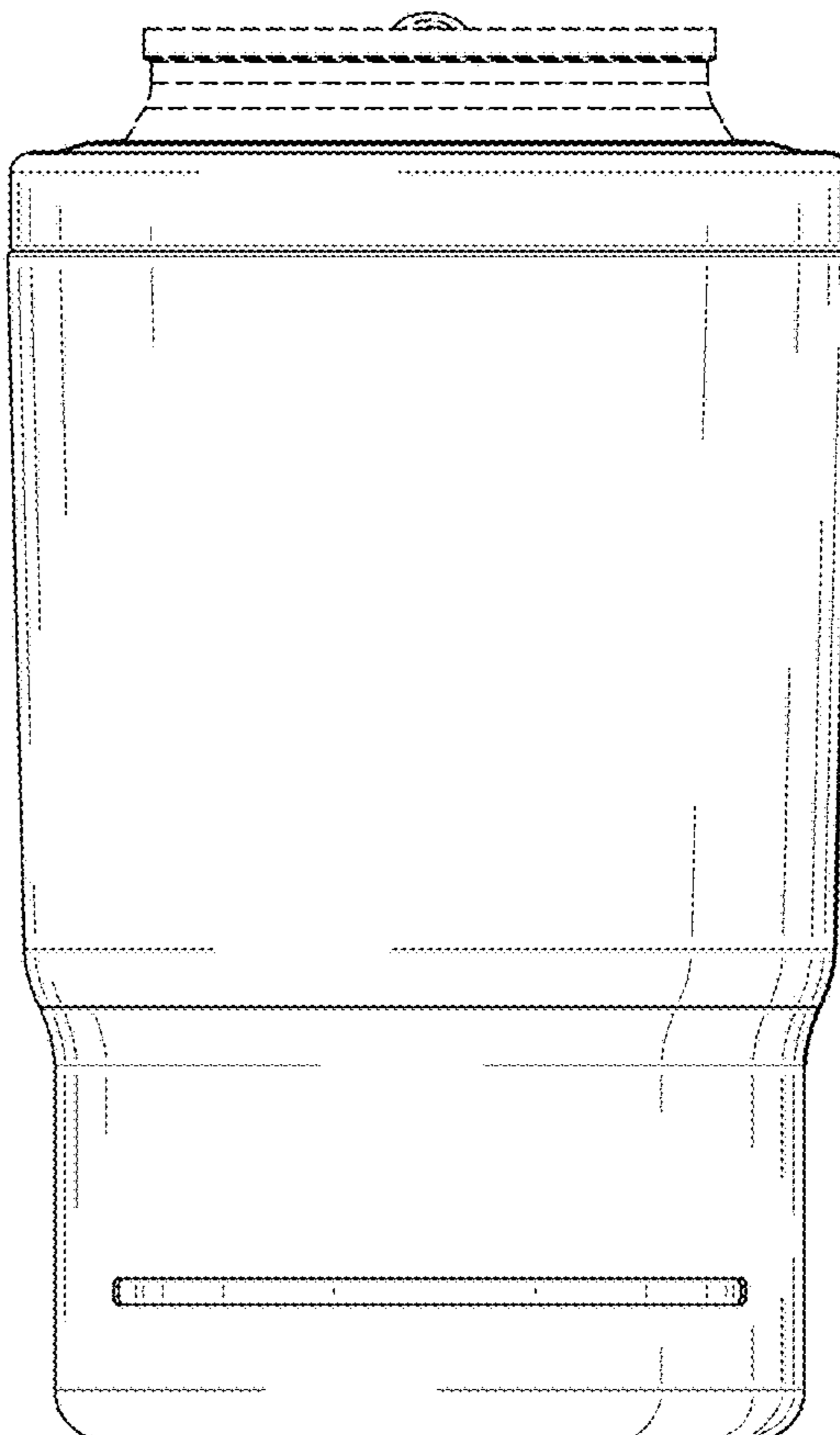
**FIG. 12**



**FIG. 13**

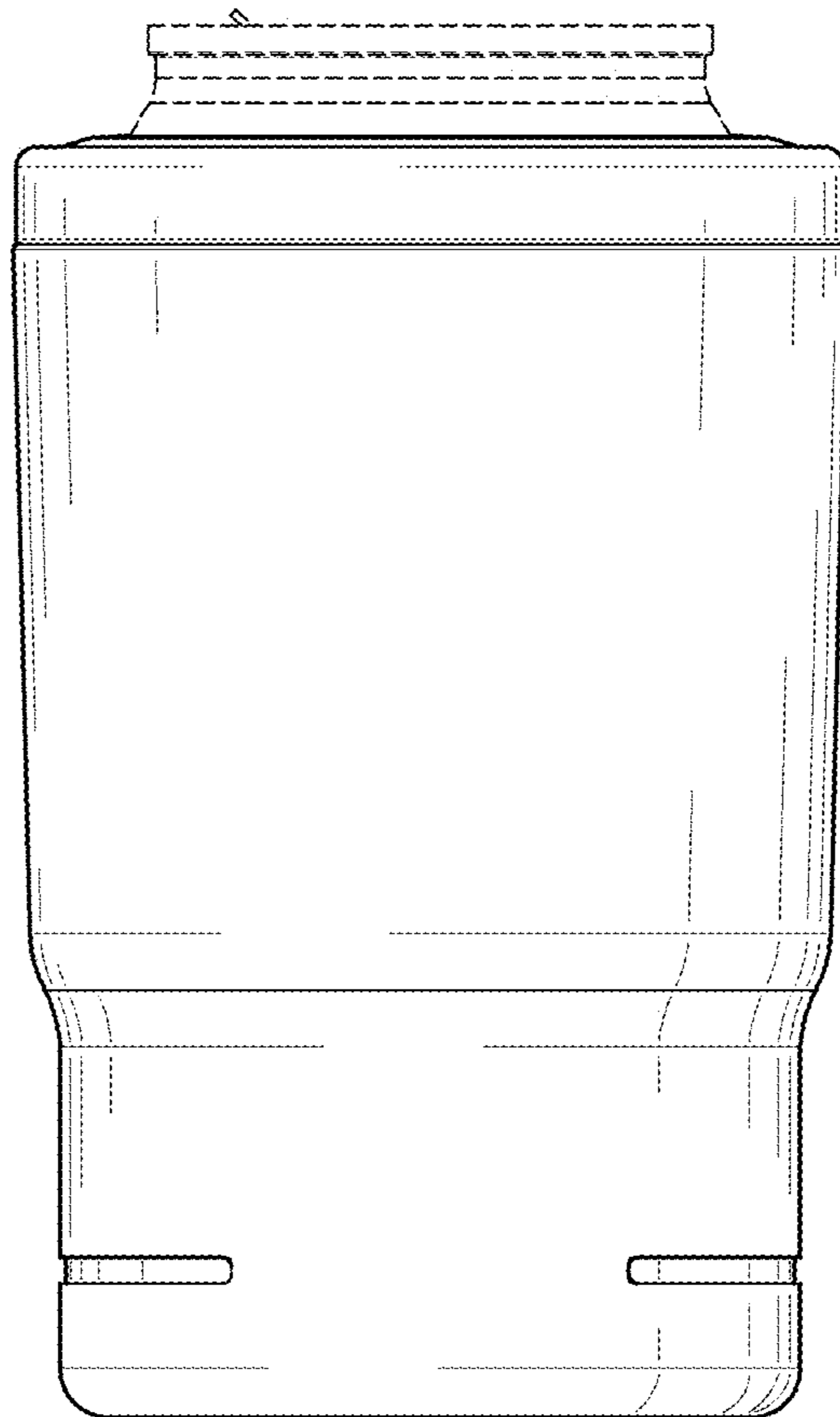


**FIG. 14**

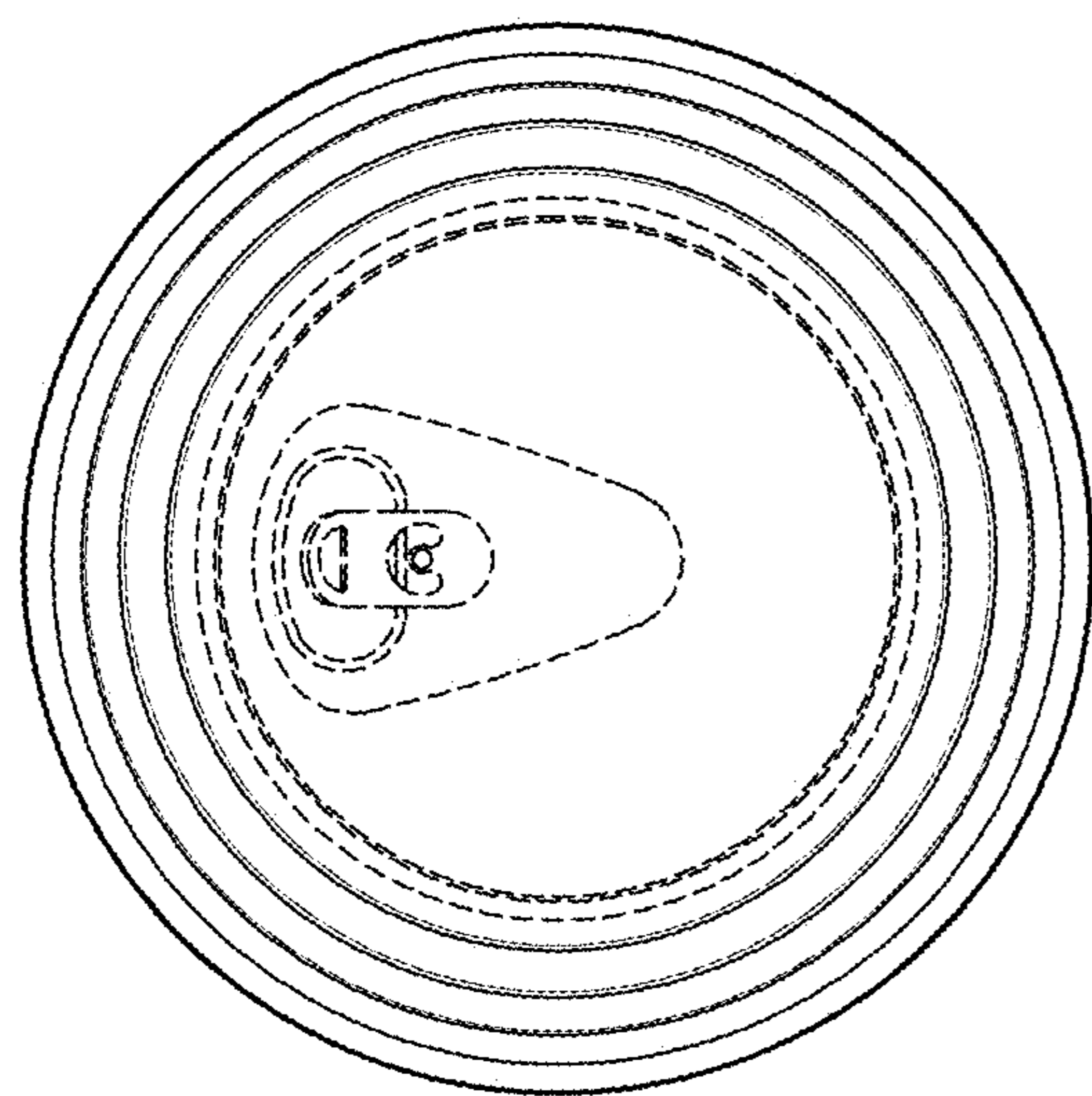


**FIG. 15**

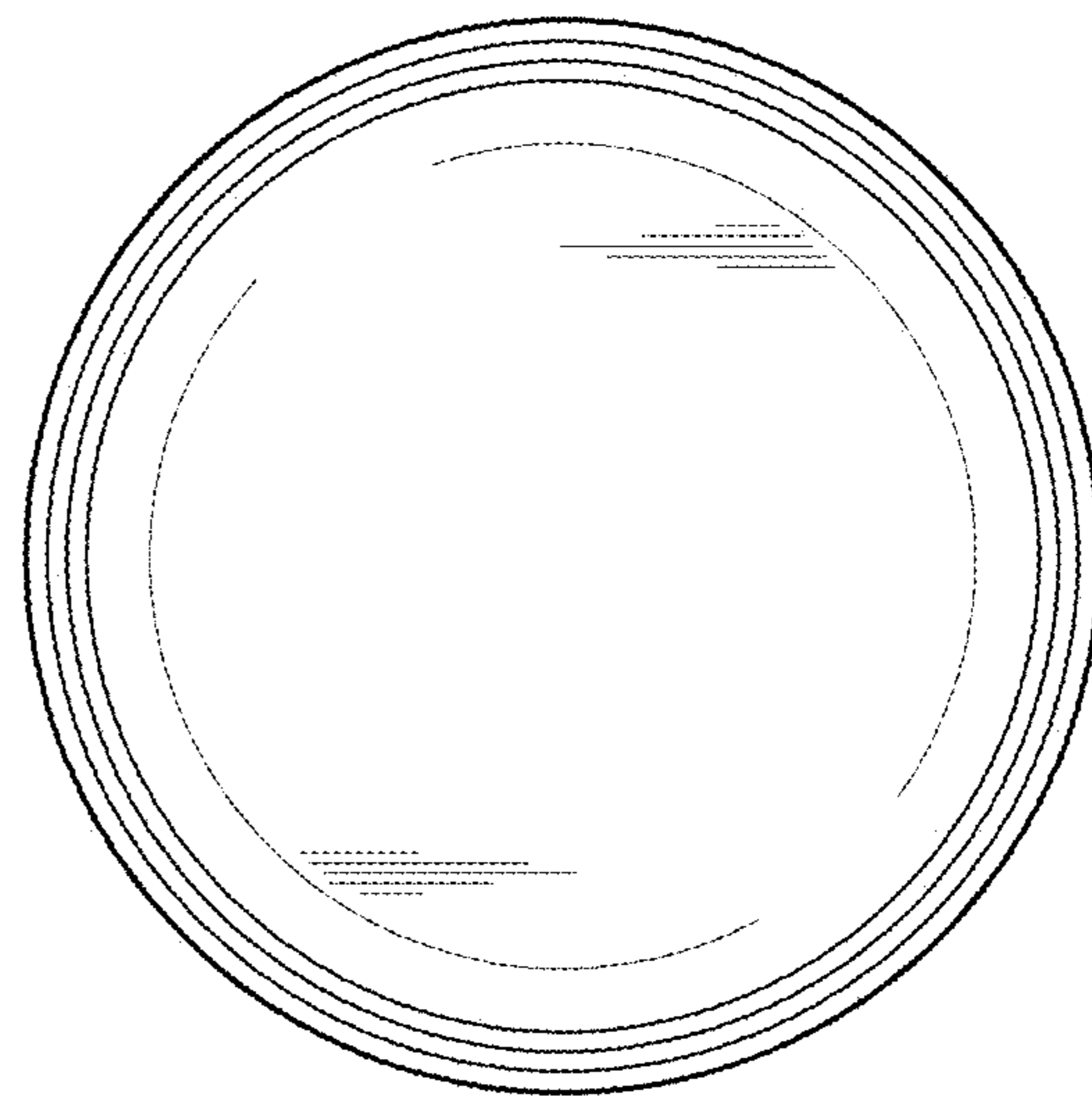




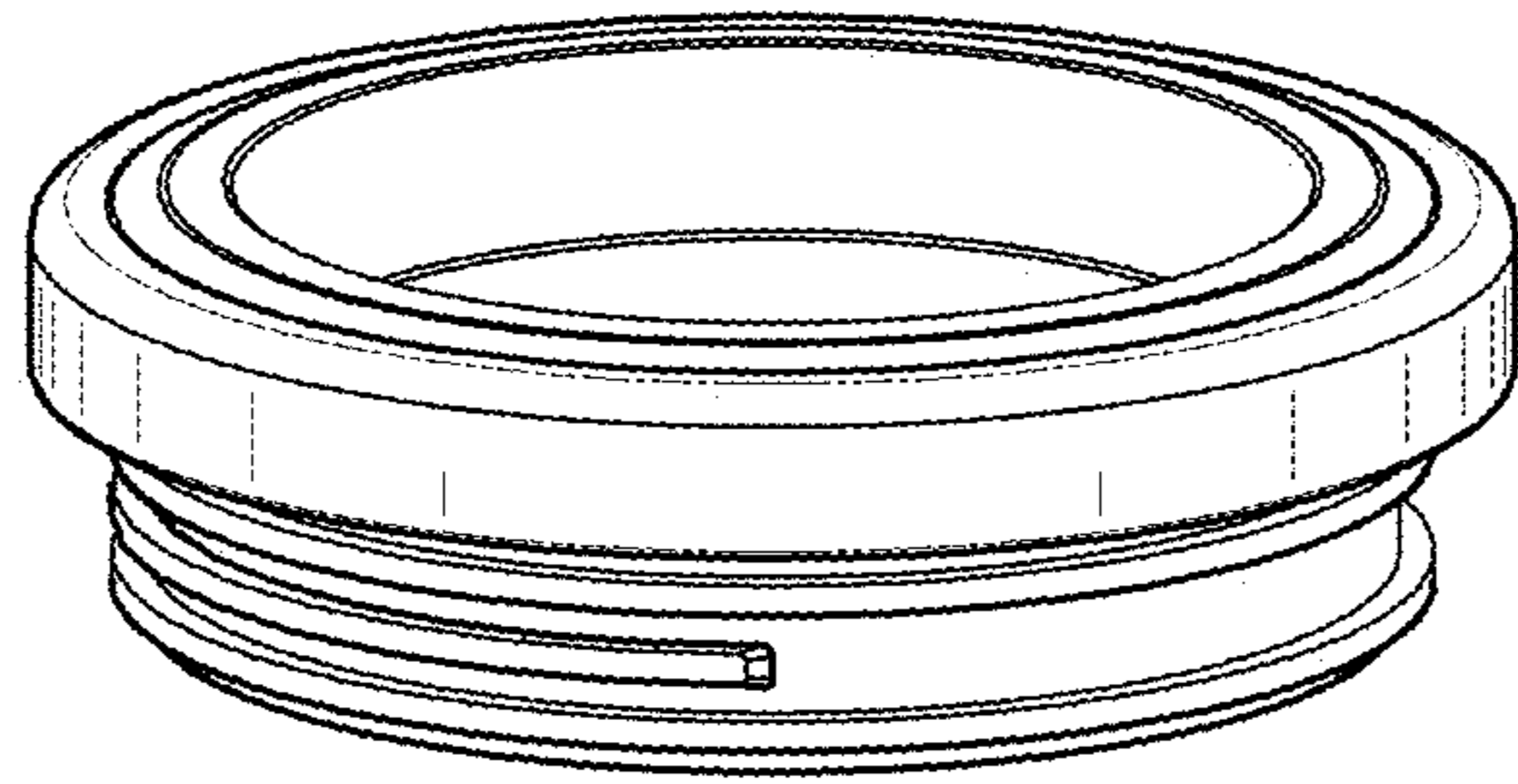
**FIG. 16**



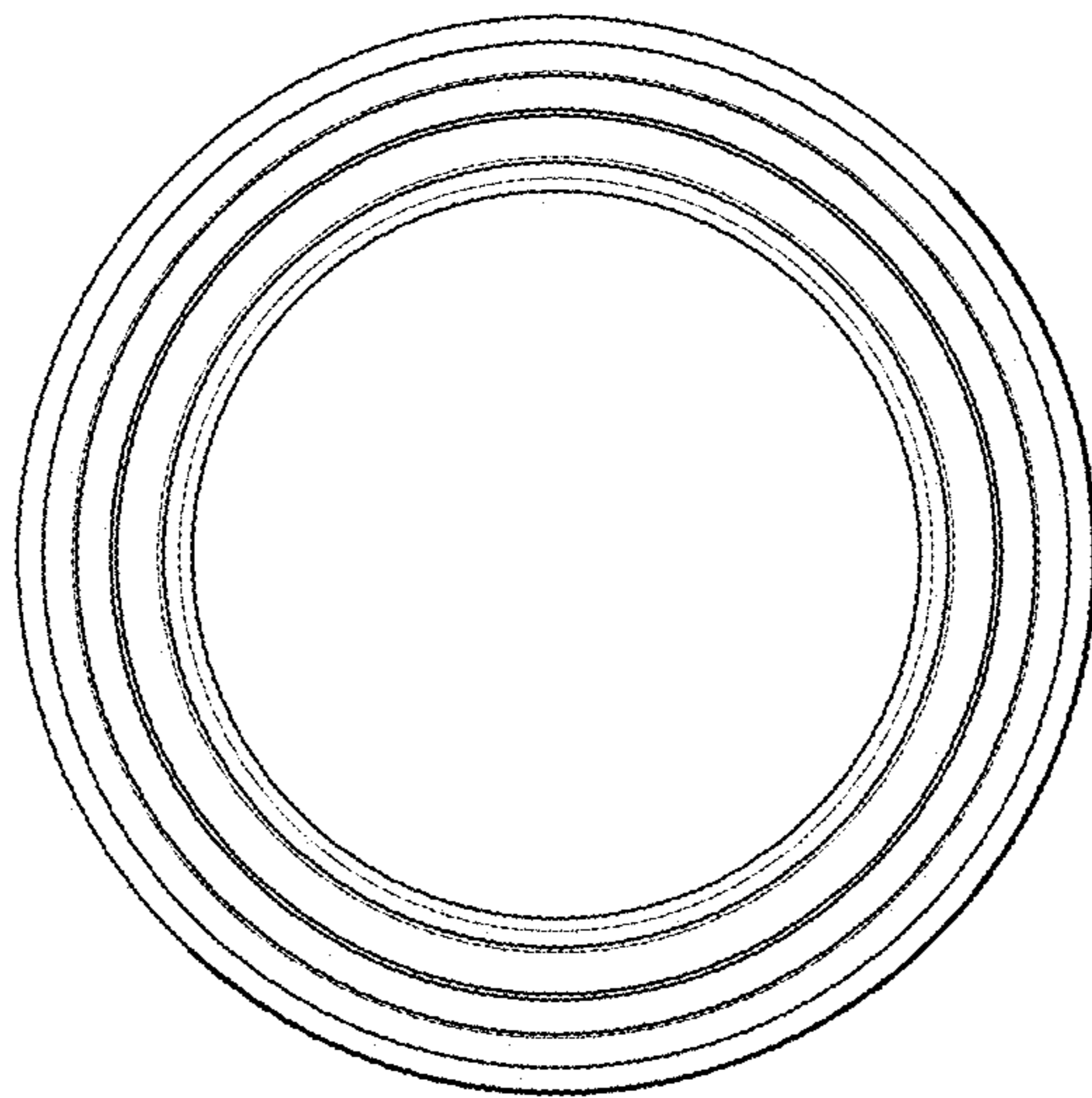
**FIG. 17**



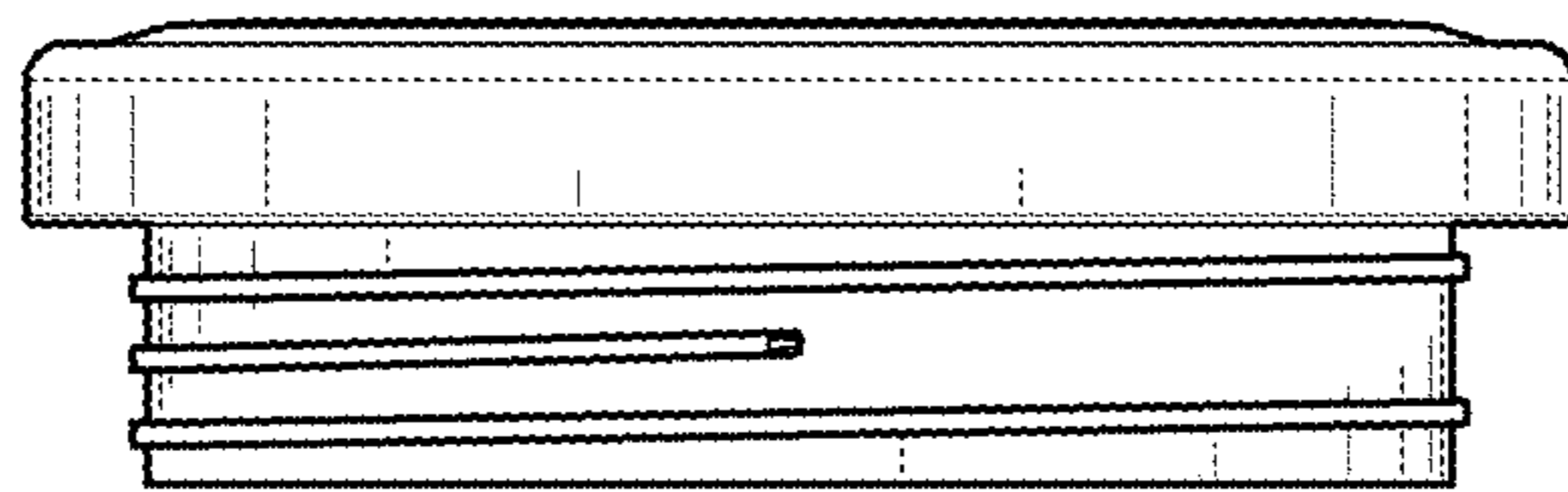
**FIG. 18**



**FIG. 19**



**FIG. 20**



**FIG. 21**