



US00D927933S

(12) **United States Design Patent**
Cao

(10) **Patent No.:** **US D927,933 S**

(45) **Date of Patent:** **** Aug. 17, 2021**

(54) **SILICONE SUCTION PLATE**

(71) Applicant: **Junjie Cao**, Foshan (CN)

(72) Inventor: **Junjie Cao**, Foshan (CN)

(**) Term: **15 Years**

(21) Appl. No.: **29/749,542**

(22) Filed: **Sep. 7, 2020**

(51) **LOC (13) Cl.** **07-01**

(52) **U.S. Cl.**
USPC **D7/505**

(58) **Field of Classification Search**
USPC D7/500, 587, 565, 560, 543, 523, 584,
D7/602, 505; D30/130; D19/104
CPC A47G 19/025; A47G 19/02; A01K 5/0135
See application file for complete search history.

(56) **References Cited**

U.S. PATENT DOCUMENTS

D559,038 S	1/2008	Woolfolk et al.	
D732,891 S *	6/2015	Bonilla	D7/505
D825,272 S	8/2018	Webb	
D856,755 S *	8/2019	McCarney	D7/555

D878,154 S *	3/2020	Kim	D7/505
D883,717 S *	5/2020	Peng	D6/614
2012/0017837 A1 *	1/2012	Crawford	A01K 5/01 119/61.1
2018/0199542 A1 *	7/2018	Foster	A01K 5/0135
2018/0343826 A1 *	12/2018	Kumar	A01K 5/0135

* cited by examiner

Primary Examiner — Cynthia R Underwood

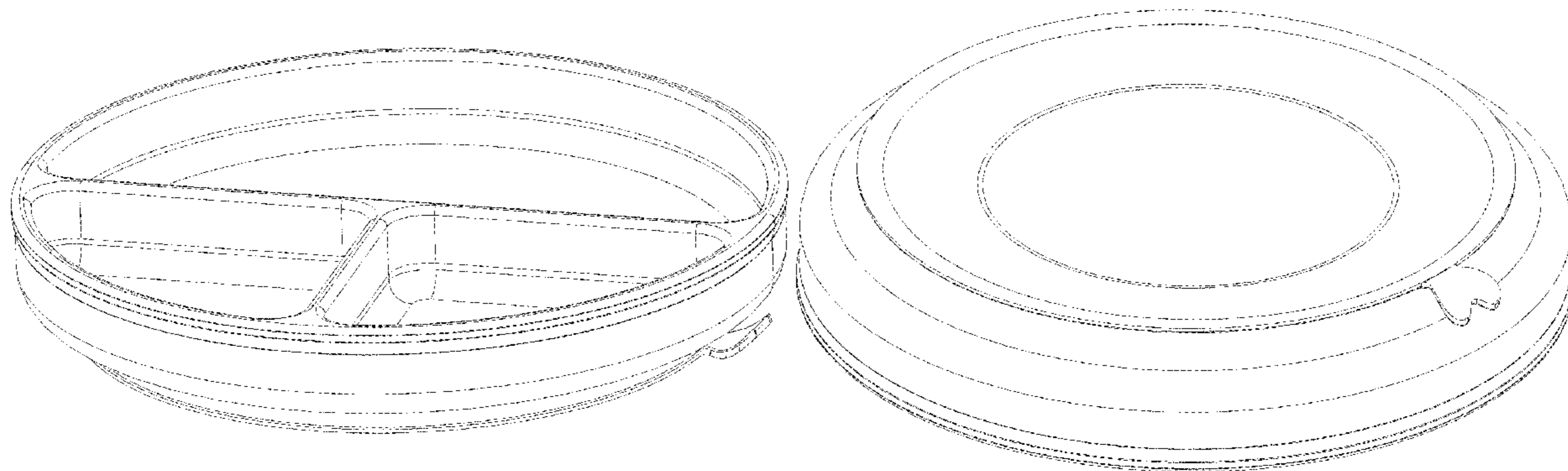
(57) **CLAIM**

The ornamental design for a silicone suction plate, as shown and described.

DESCRIPTION

FIG. 1 is a perspective view of a silicone suction plate showing my new design;
FIG. 2 is another perspective view thereof;
FIG. 3 is a front elevational view thereof;
FIG. 4 is a rear elevational view thereof;
FIG. 5 is a left side elevational view thereof;
FIG. 6 is a right side elevational view thereof;
FIG. 7 is a top plan view thereof; and,
FIG. 8 is a bottom plan view thereof.

1 Claim, 8 Drawing Sheets



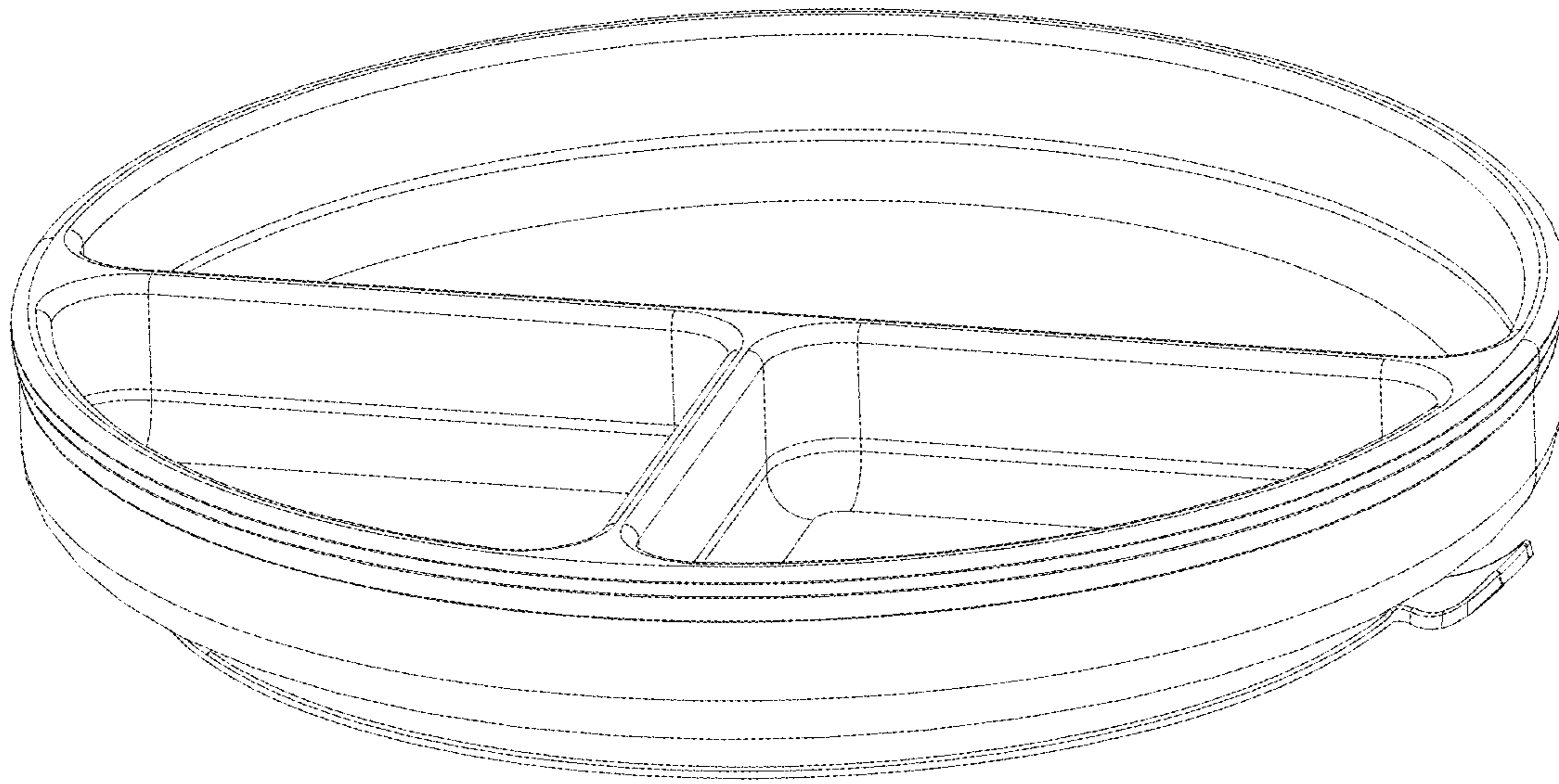


FIG. 1

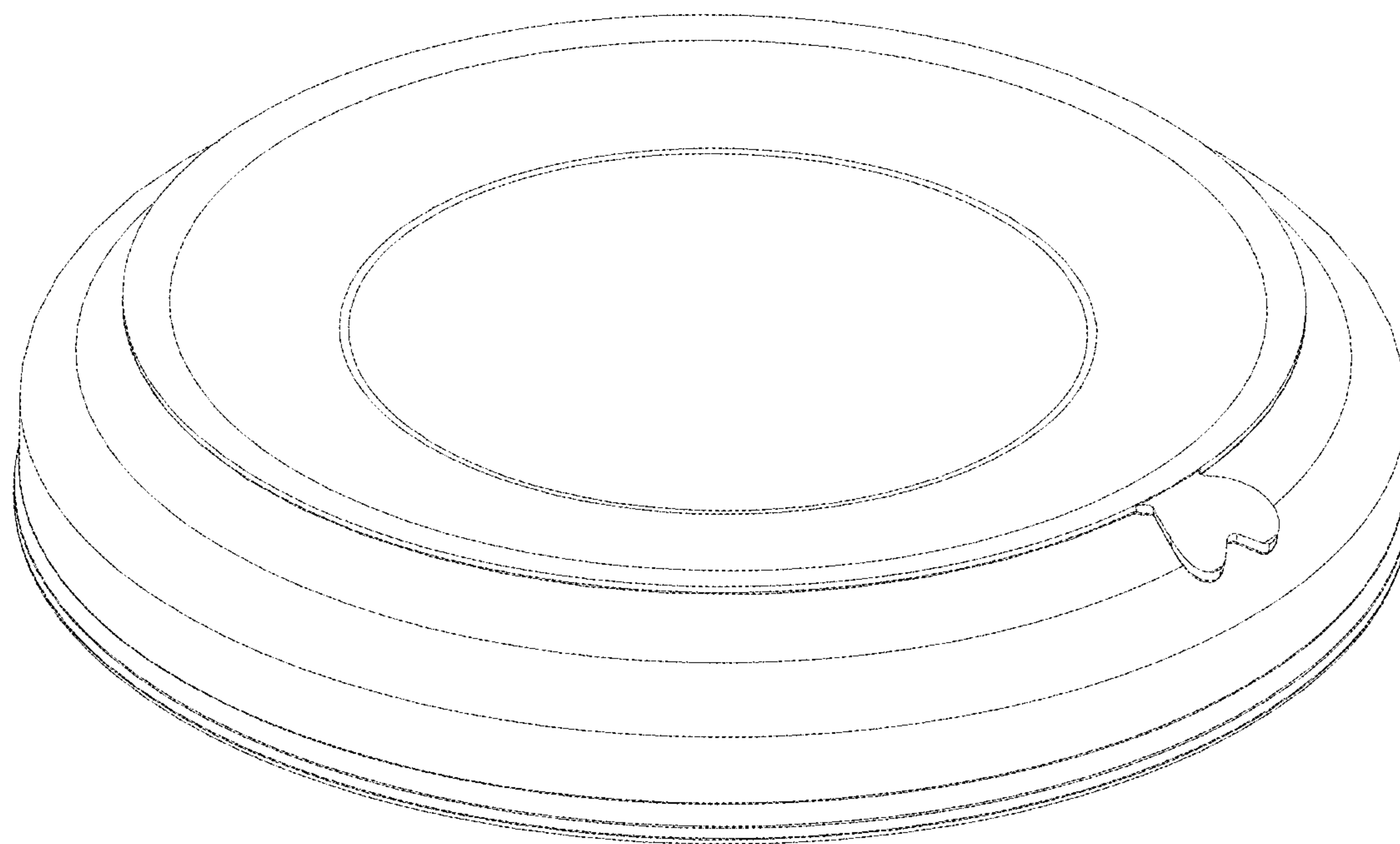


FIG. 2

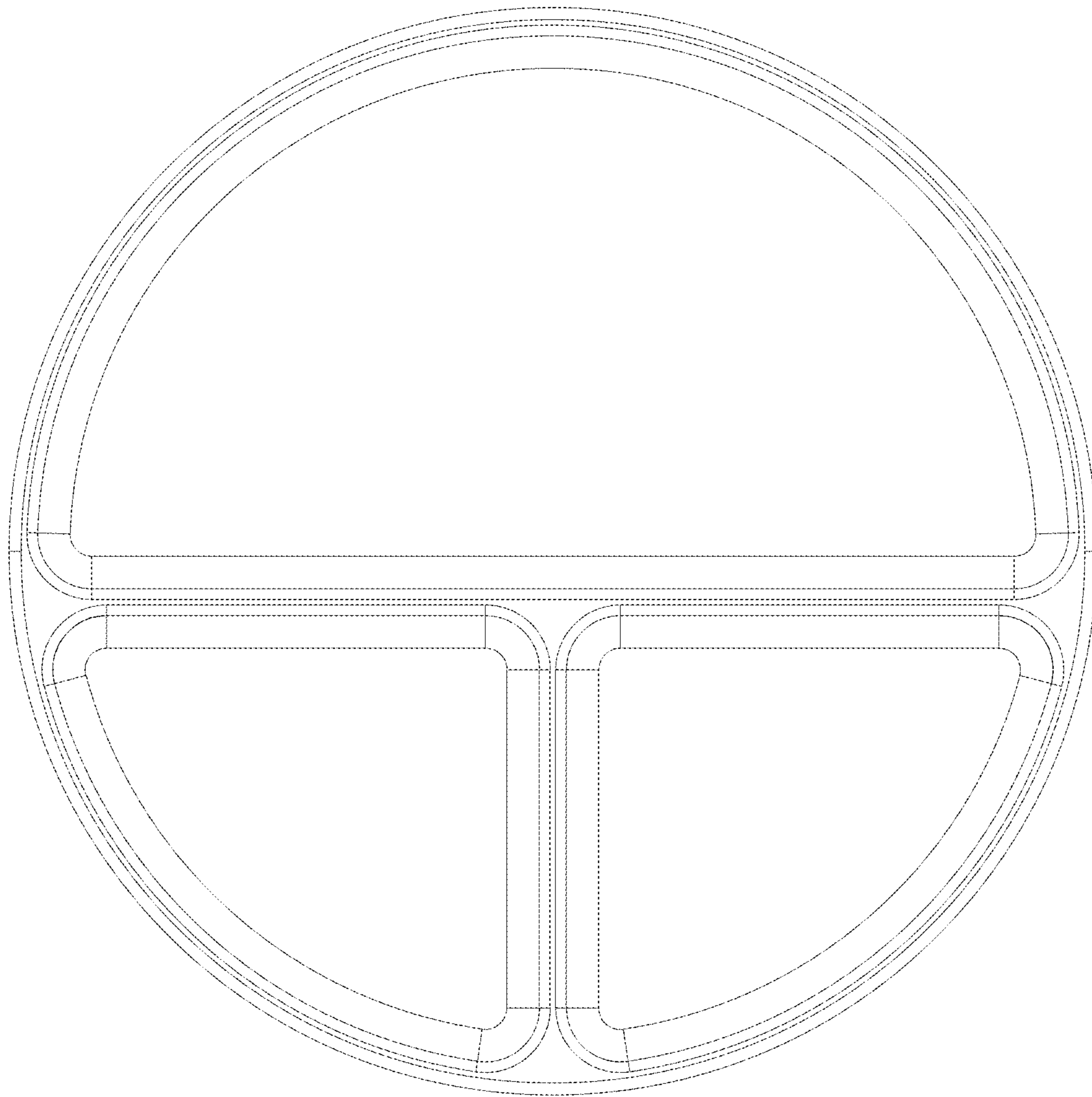


FIG. 3

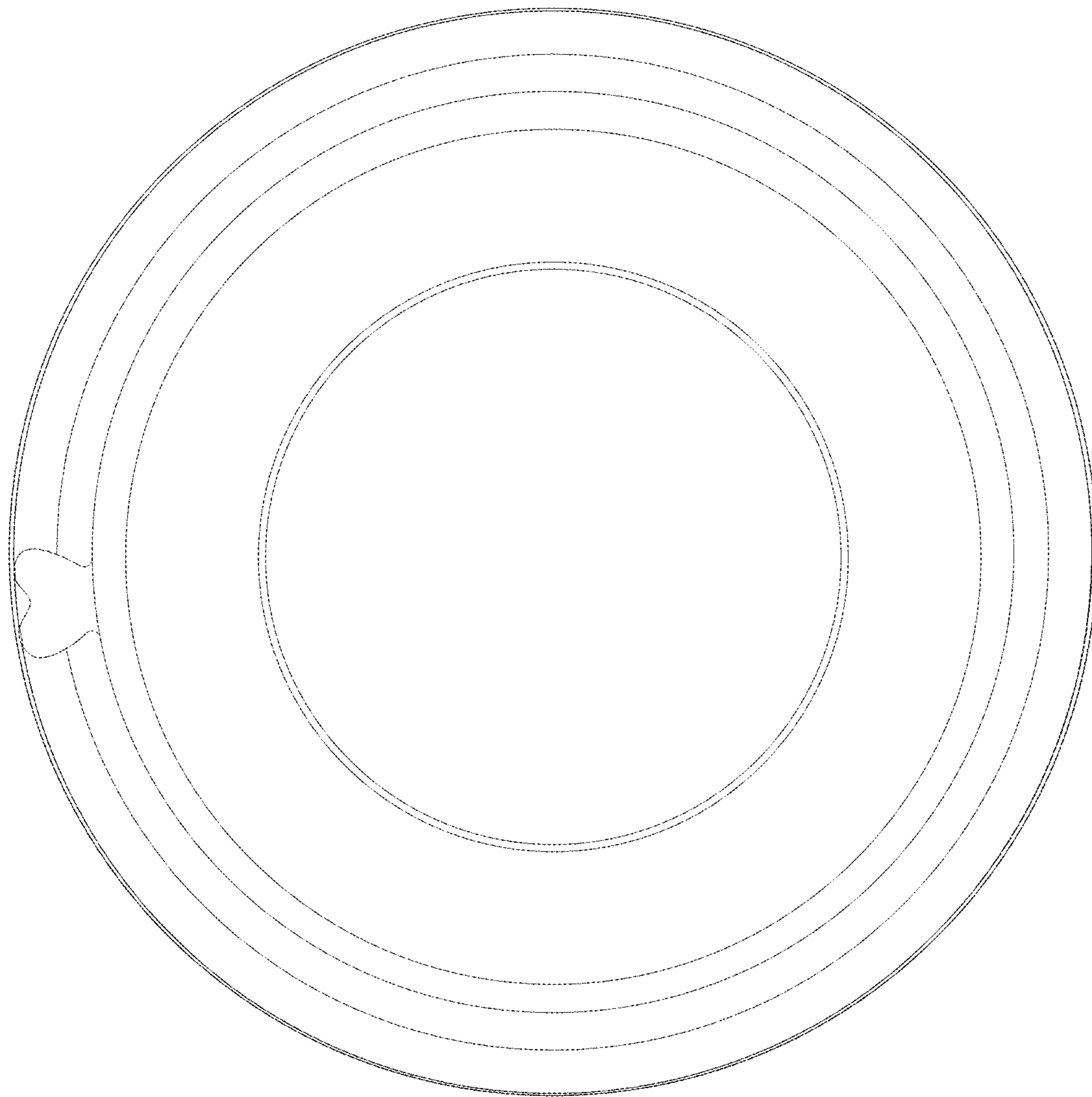


FIG. 4

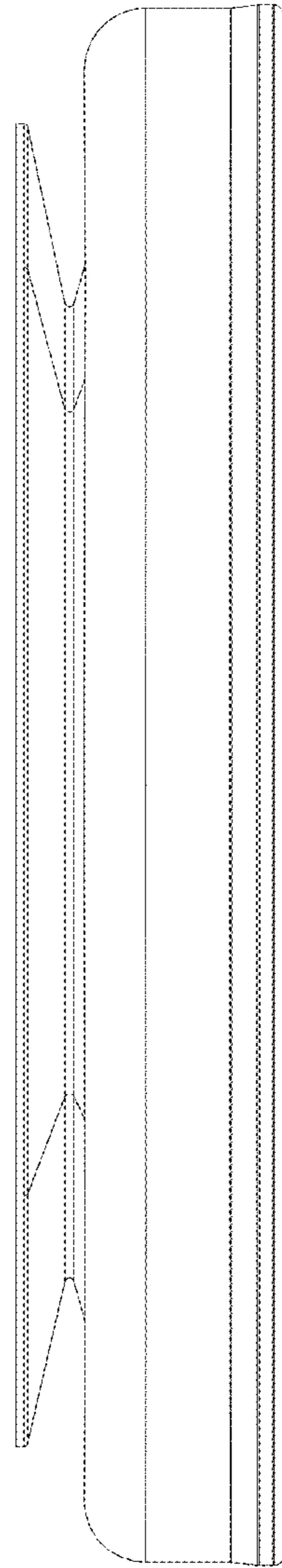


FIG. 5

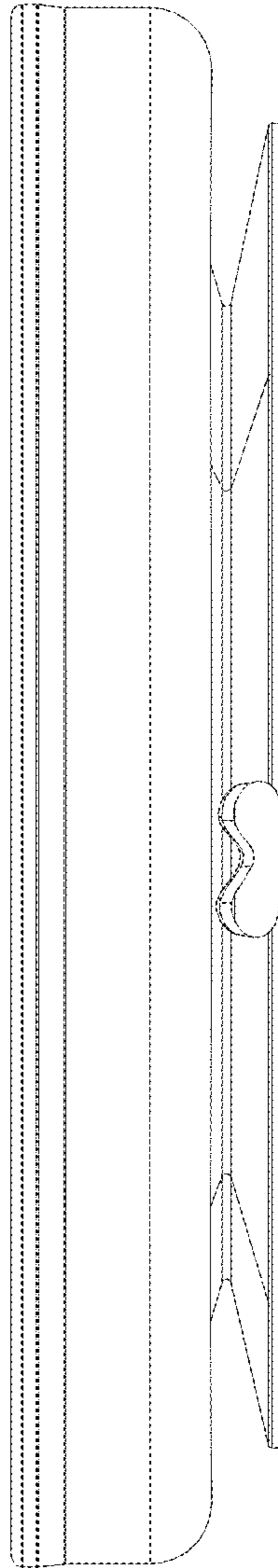


FIG. 6

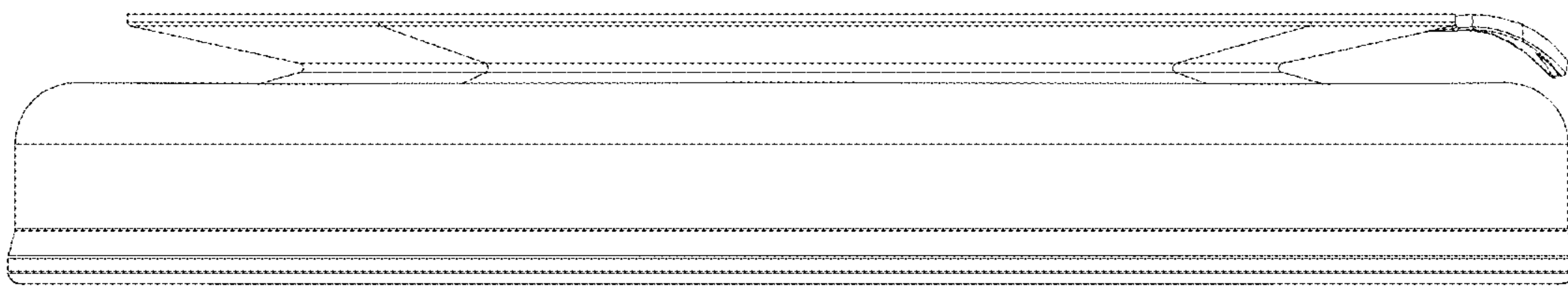


FIG. 7

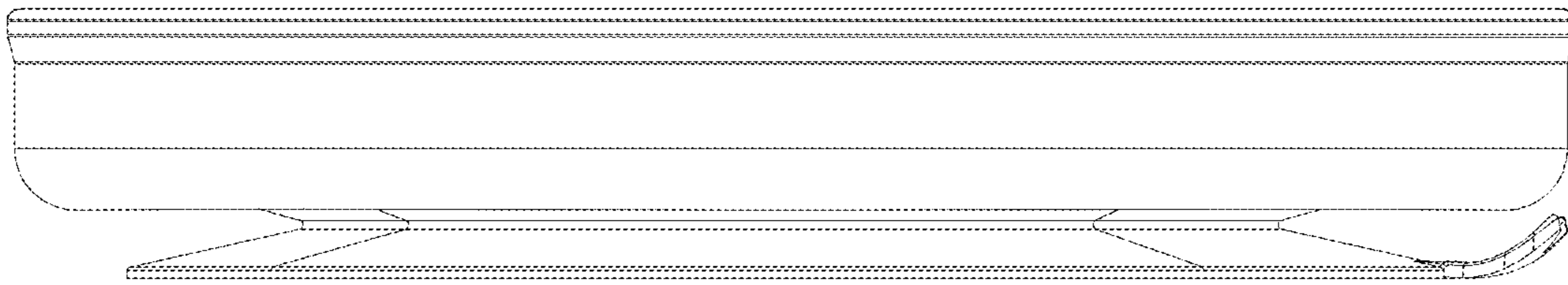


FIG. 8