



US00D927932S

(12) **United States Design Patent**
Mock et al.

(10) **Patent No.:** **US D927,932 S**

(45) **Date of Patent:** **** Aug. 17, 2021**

- (54) **QUAD BLADE UNIT**
- (71) Applicant: **WHIRLPOOL CORPORATION**,
Benton Harbor, MI (US)
- (72) Inventors: **Brandon T. Mock**, St. Joseph, MI
(US); **Yifan Wang**, St. Joseph, MI (US)
- (73) Assignee: **Whirlpool Corporation**, Benton
Harbor, MI (US)
- (**) Term: **15 Years**

- (21) Appl. No.: **29/739,225**
- (22) Filed: **Jun. 23, 2020**
- (51) **LOC (13) Cl.** **31-00**
- (52) **U.S. Cl.**
USPC **D7/412; D7/376; D7/378**
- (58) **Field of Classification Search**
USPC D7/372, 376–386, 412–413, 602, 629,
D7/665–666, 669, 679, 693–694;
D12/214
CPC A21C 1/02; A21C 1/04; A23N 1/00; A23N
1/02; A47J 43/04; A47J 43/25; A47J
43/27; A47J 43/042; A47J 43/044; A47J
43/046; A47J 43/07; A47J 43/075; A47J
43/0722; A47J 43/0727; B01F 3/00; B01F
3/0807; B01F 3/0853; B01F 7/00633;
B01F 13/0059; B01F 13/0064; B02C
1/08; B02C 2/04; B02C 4/42; B02C
4/142; B02C 4/143; B02C 4/423; B02C
13/1835; B28C 5/10; B28C 5/12; B28C
5/14; B28C 5/16
See application file for complete search history.

(56) **References Cited**

U.S. PATENT DOCUMENTS

- 3,461,933 A * 8/1969 Mantelet A47J 43/046
241/199.12
- 4,733,827 A * 3/1988 Williams A47J 43/07
206/373

- 4,817,878 A * 4/1989 Shibata A47J 43/046
241/282.2
- D324,201 S * 2/1992 Hannon D12/214
- D421,546 S * 3/2000 Ekstrom D7/412
- 6,532,863 B1 * 3/2003 Lee A47J 43/0722
241/282.1
- D647,365 S * 10/2011 Audette D7/412
- D663,586 S * 7/2012 Audette D7/412
- D668,115 S * 10/2012 Potter D7/412

(Continued)

Primary Examiner — Ricky Pham

(74) *Attorney, Agent, or Firm* — Price Heneveld LLP

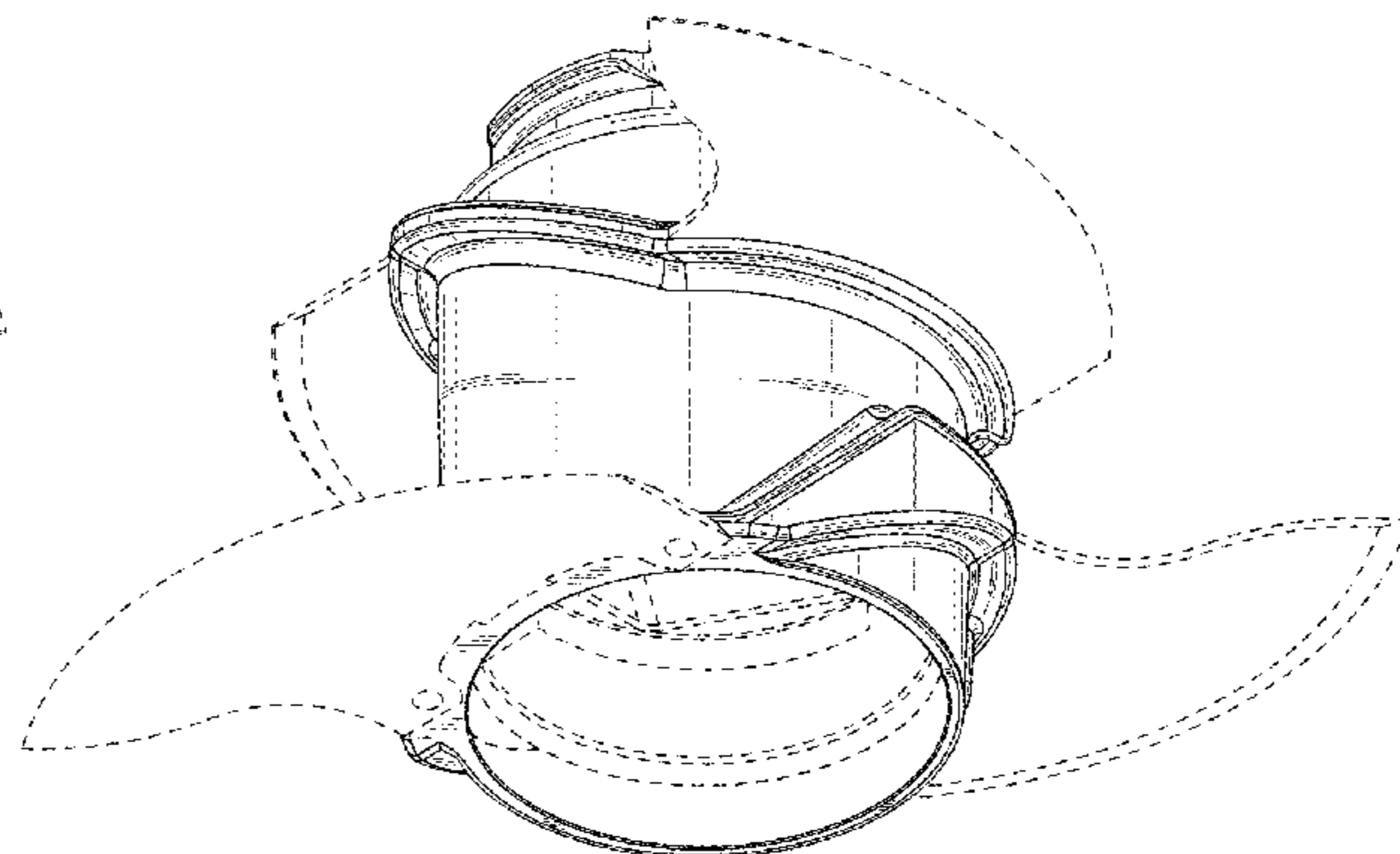
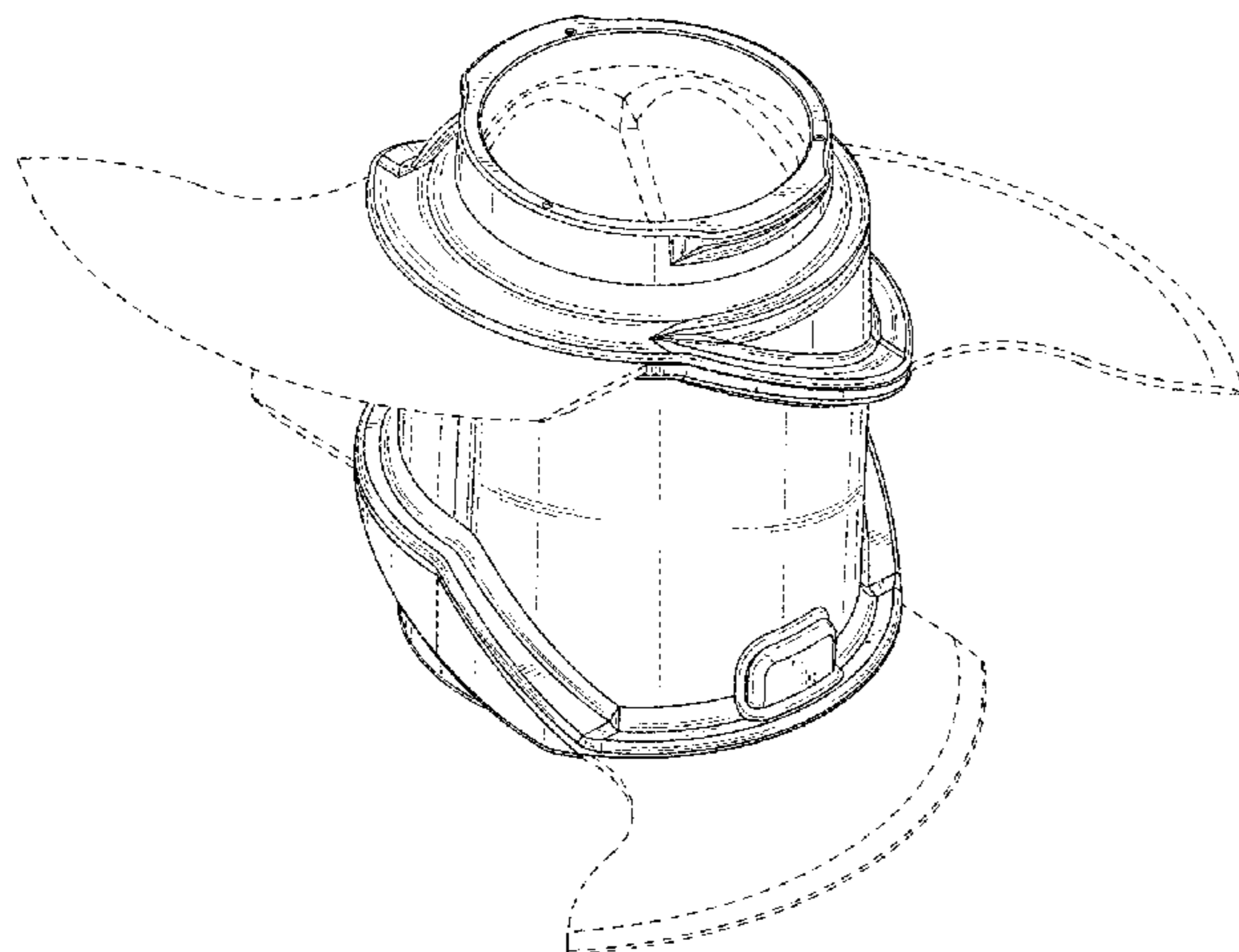
(57) **CLAIM**

We claim the ornamental design for a quad blade unit, as shown and described.

DESCRIPTION

FIG. 1 is a first top perspective view of a quad blade unit of the present disclosure;
 FIG. 2 is a first bottom perspective view of the quad blade unit of FIG. 1;
 FIG. 3 is a second top perspective view of the quad blade unit of FIG. 1;
 FIG. 4 is a second bottom perspective view of the quad blade unit of FIG. 1;
 FIG. 5 is a first side elevational view of the quad blade unit of FIG. 1;
 FIG. 6 is a second side elevational view of the quad blade unit of FIG. 1;
 FIG. 7 is a front elevational view of the quad blade unit of FIG. 1;
 FIG. 8 is a rear side elevational view of the quad blade unit of FIG. 1;
 FIG. 9 is a top plan view of the quad blade unit of FIG. 1; and,
 FIG. 10 is a bottom plan view of the quad blade unit of FIG. 1.
 The broken lines depict portions of the article that form no part of the claimed design.

1 Claim, 10 Drawing Sheets



(56)

References Cited

U.S. PATENT DOCUMENTS

8,702,300 B2 *	4/2014	Audette	A47J 43/046	366/205
D708,902 S *	7/2014	Audette	D7/412	
D761,056 S *	7/2016	Kemker	D7/412	
2010/0246320 A1 *	9/2010	Sands	B01F 7/00633	366/246

* cited by examiner

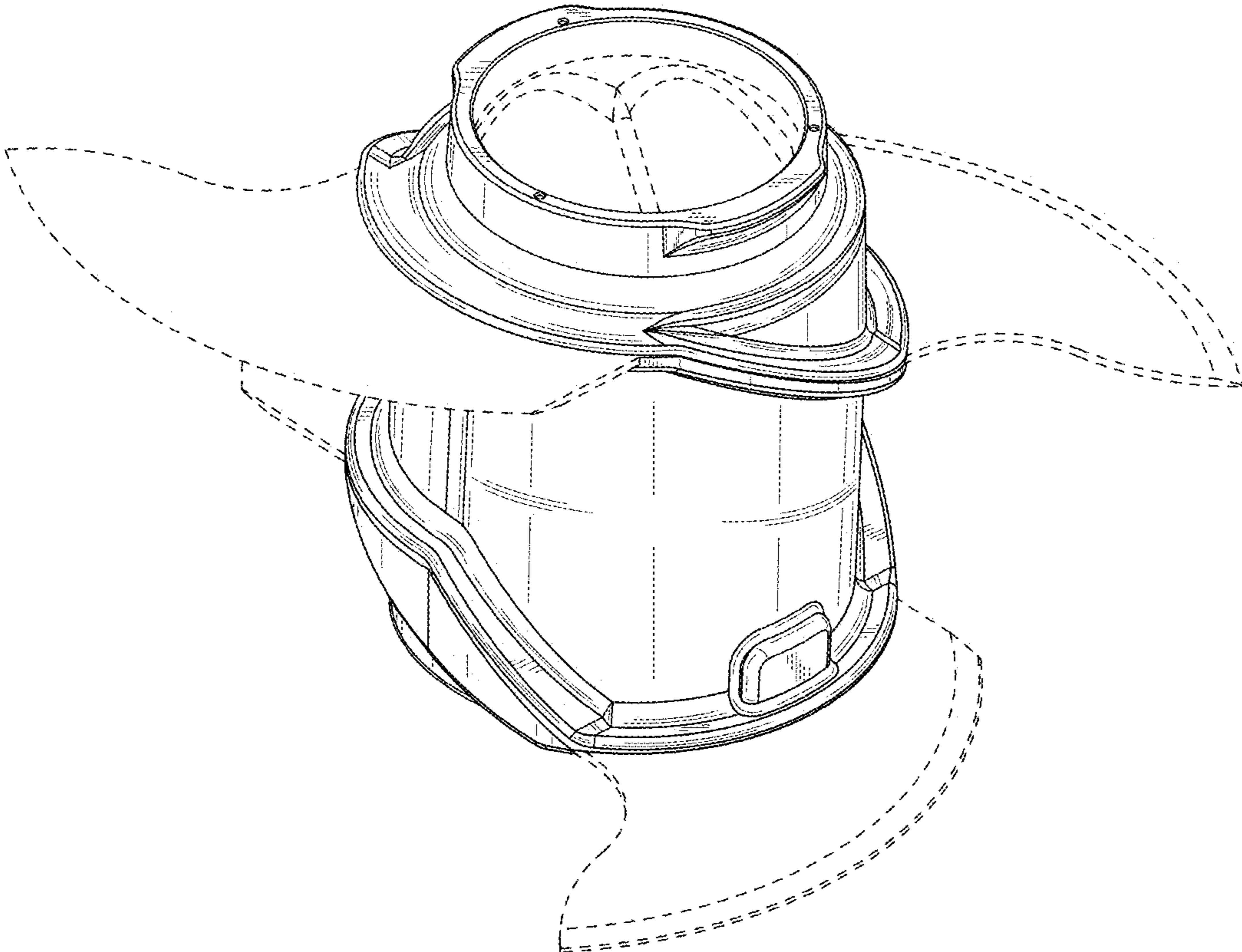


FIG. 1

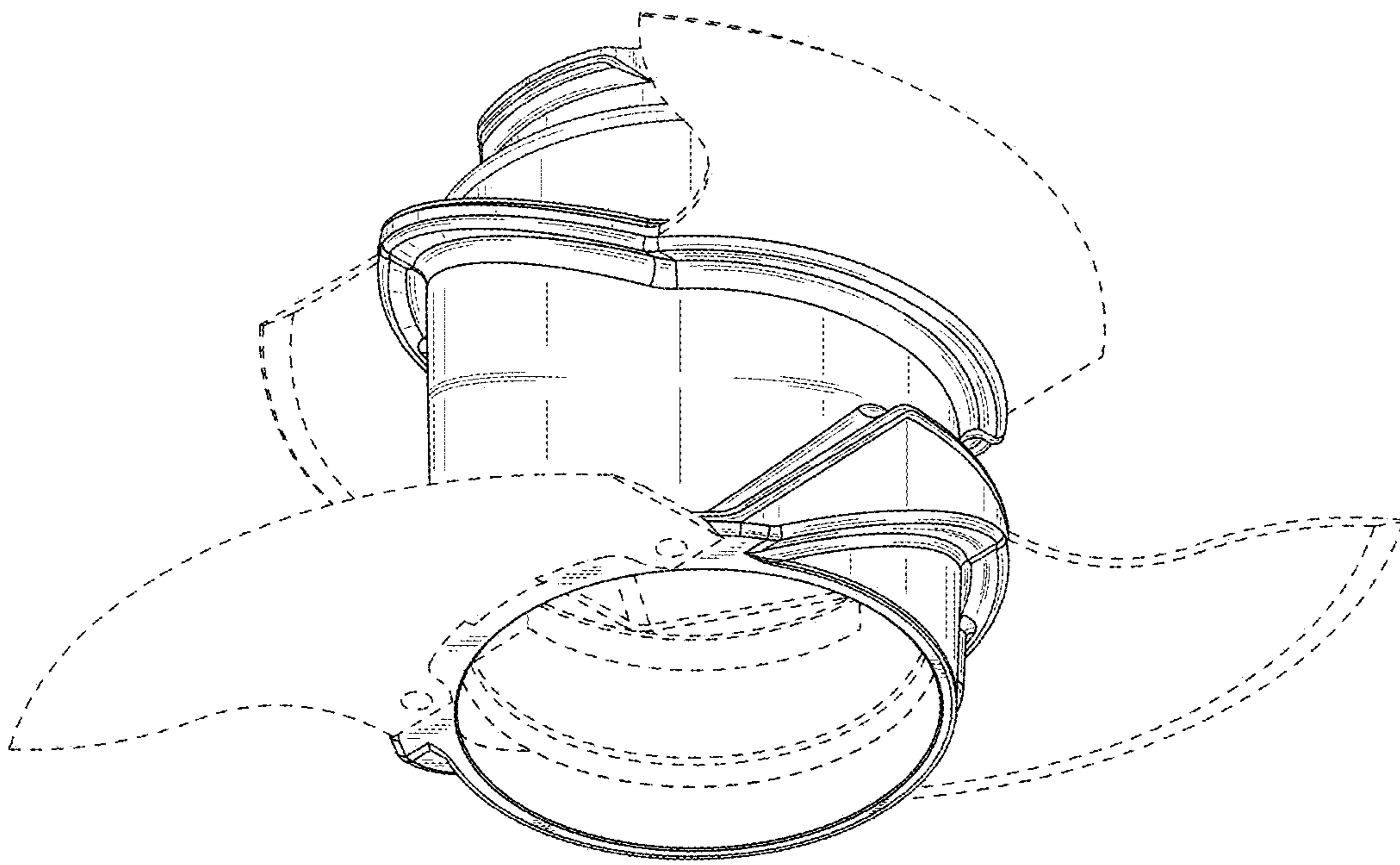


FIG. 2

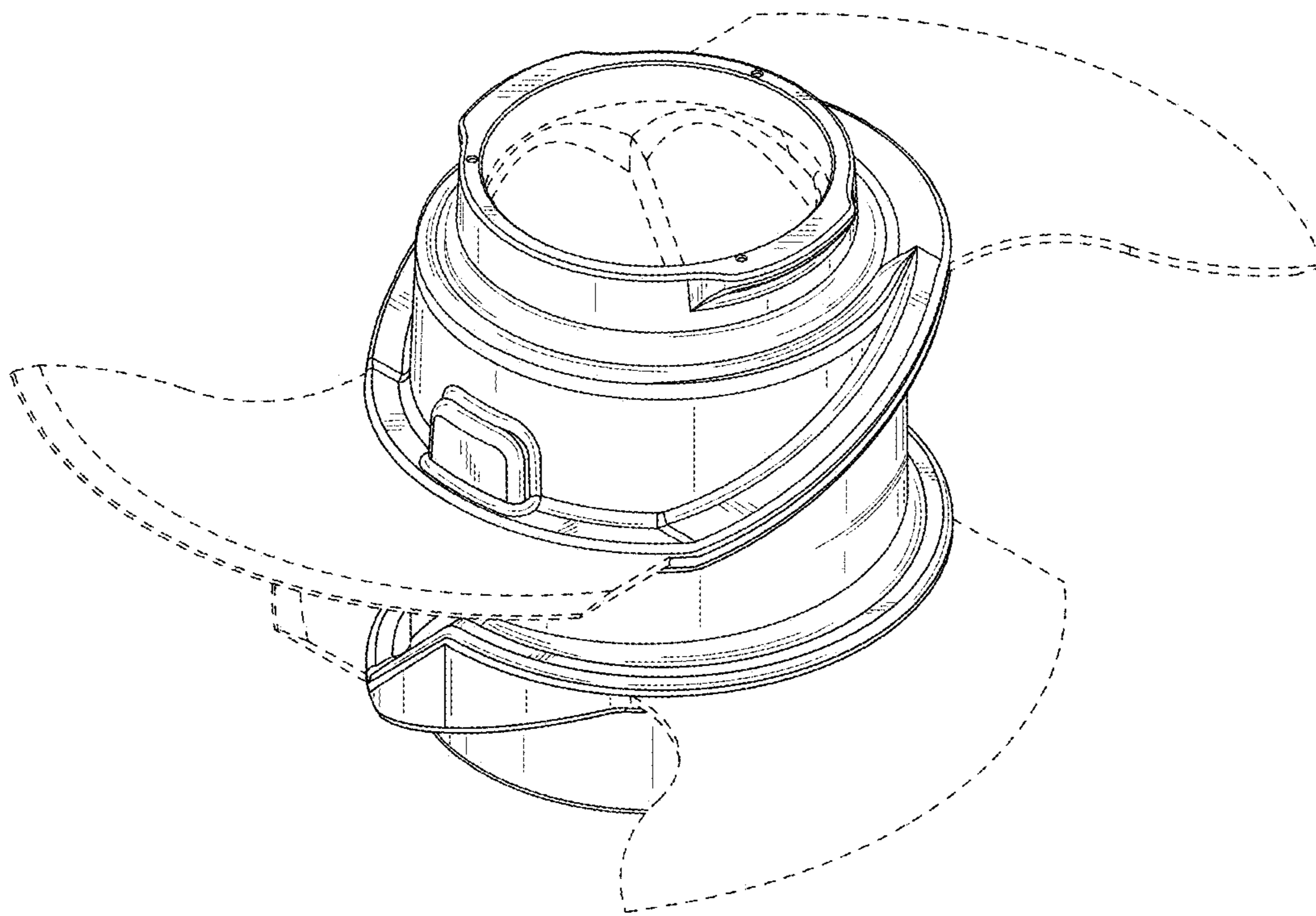


FIG. 3

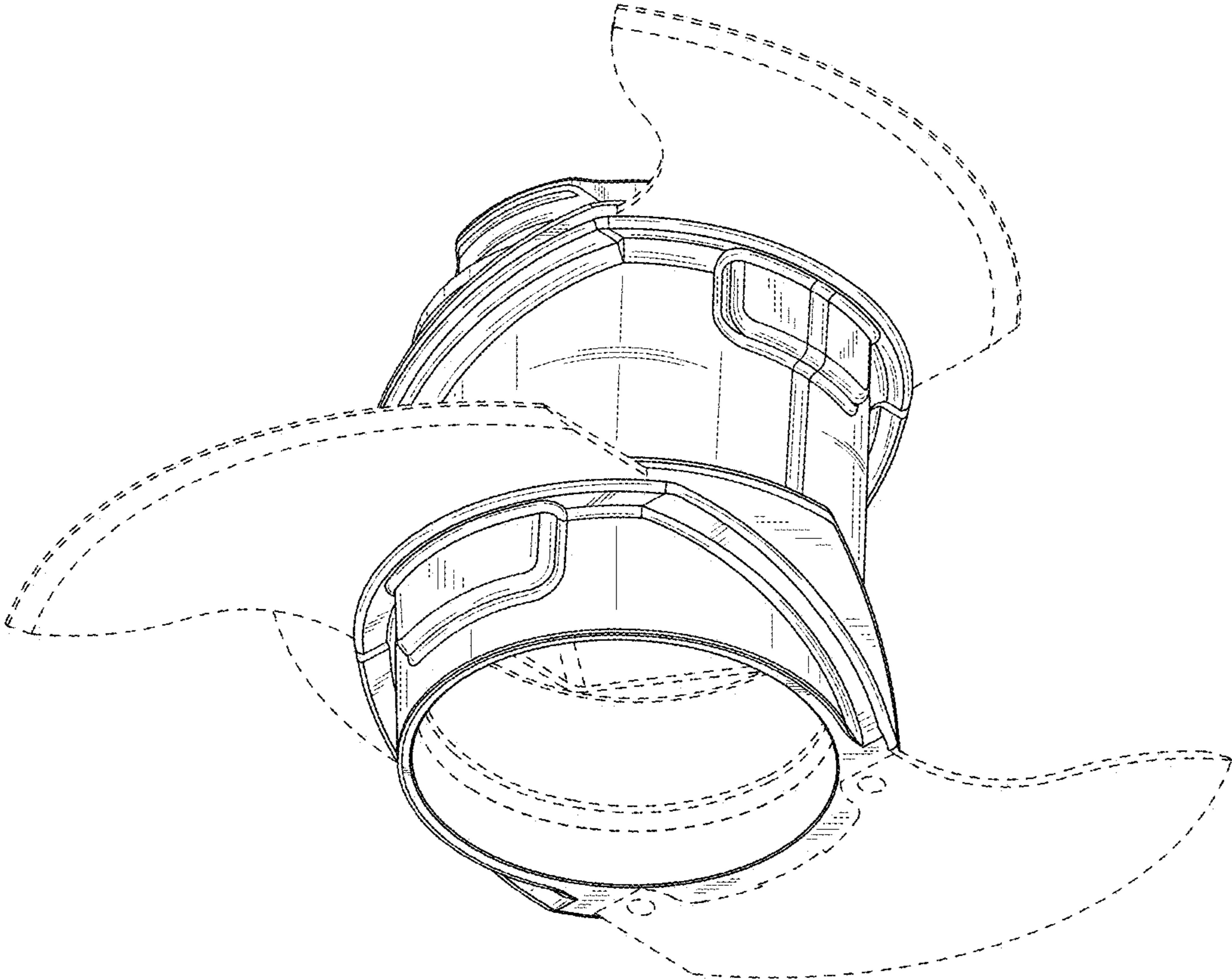


FIG. 4

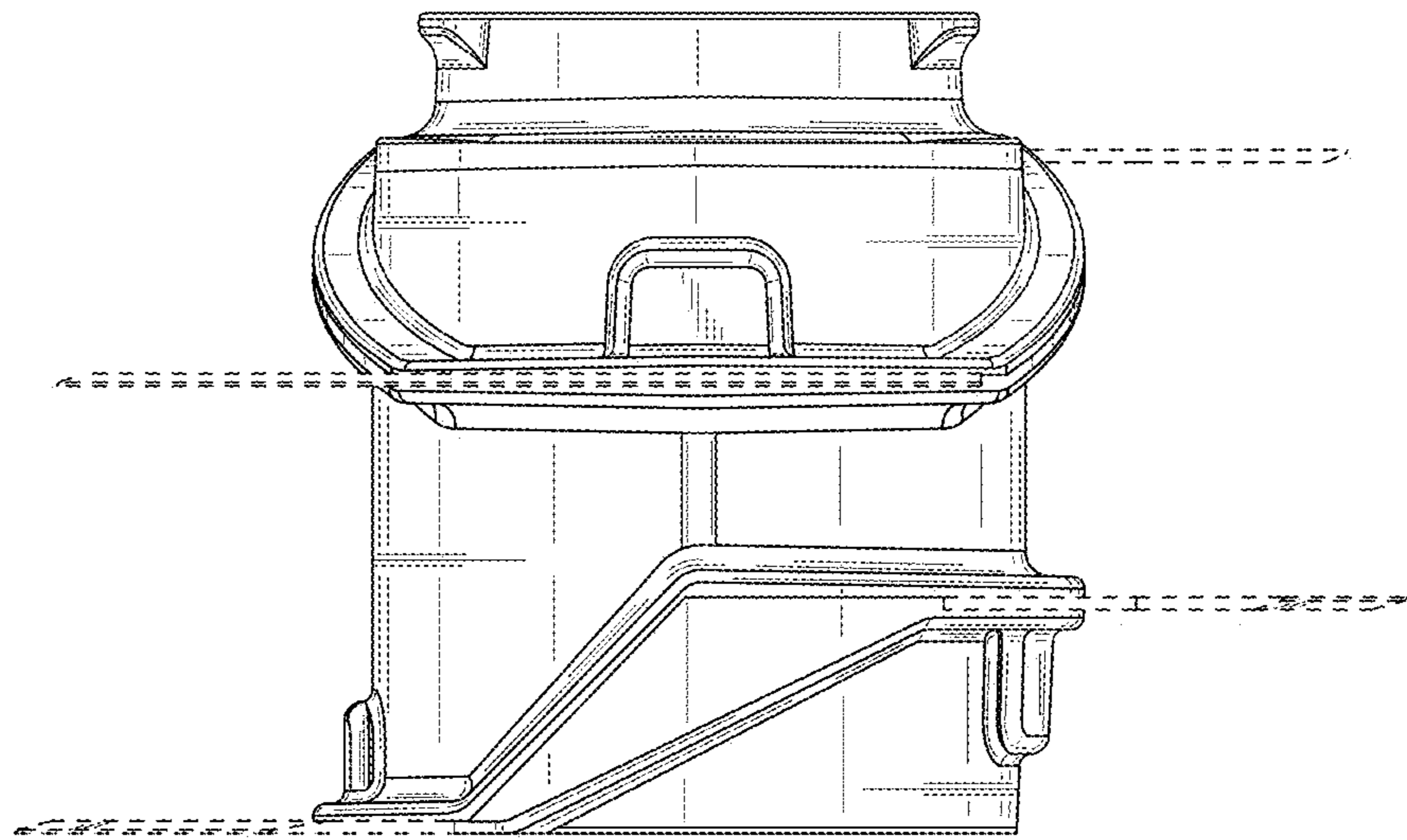


FIG. 5

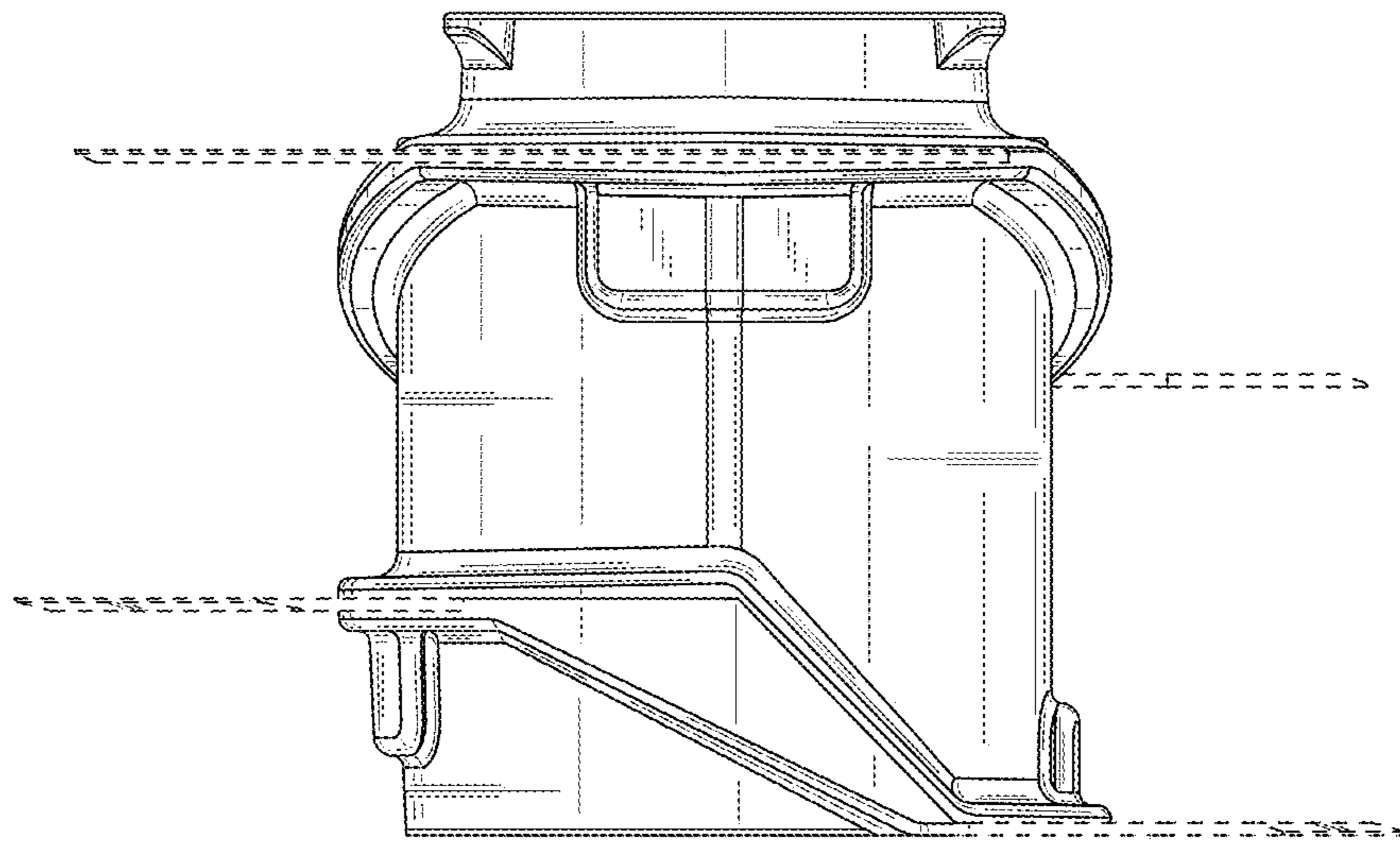


FIG. 6

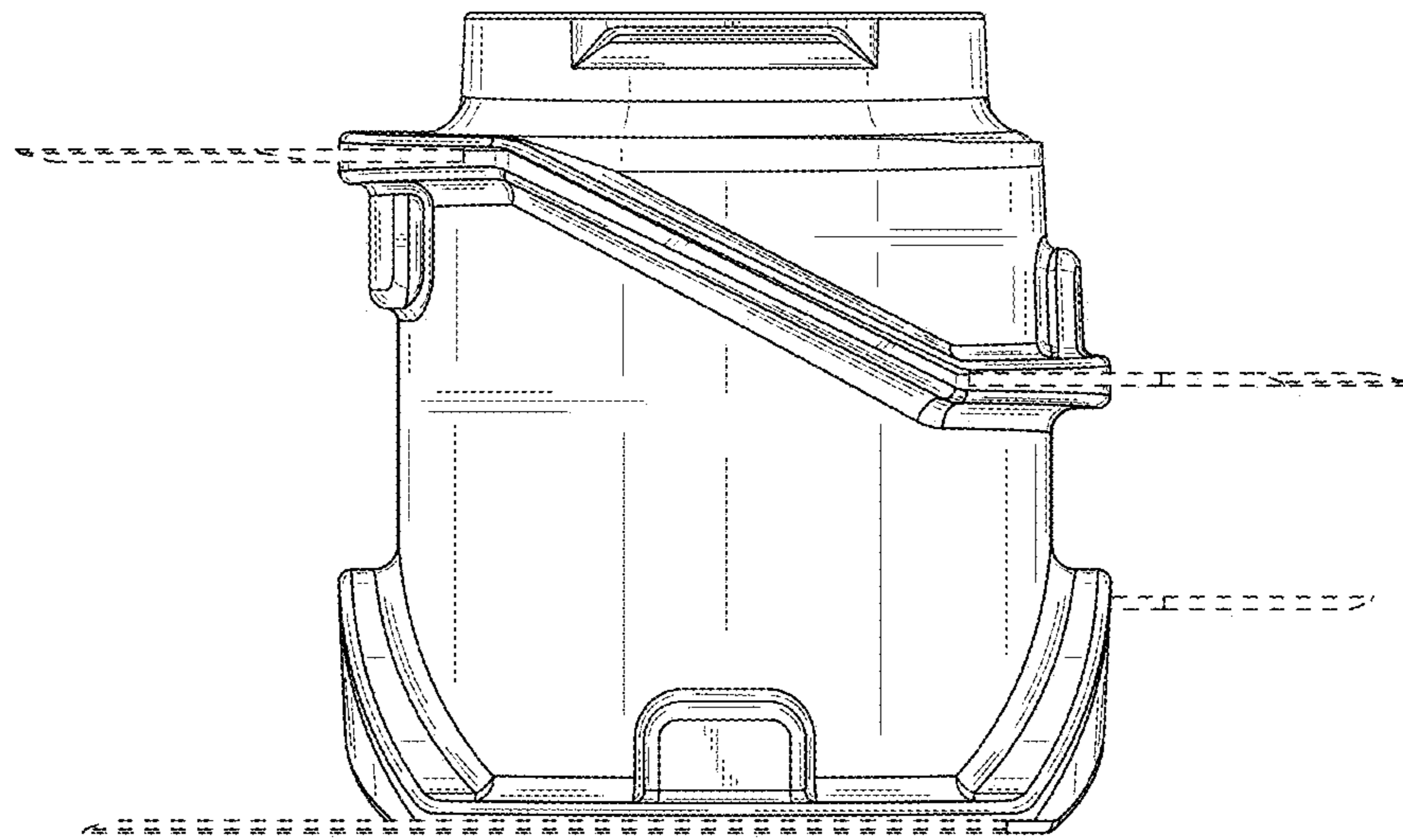


FIG. 7

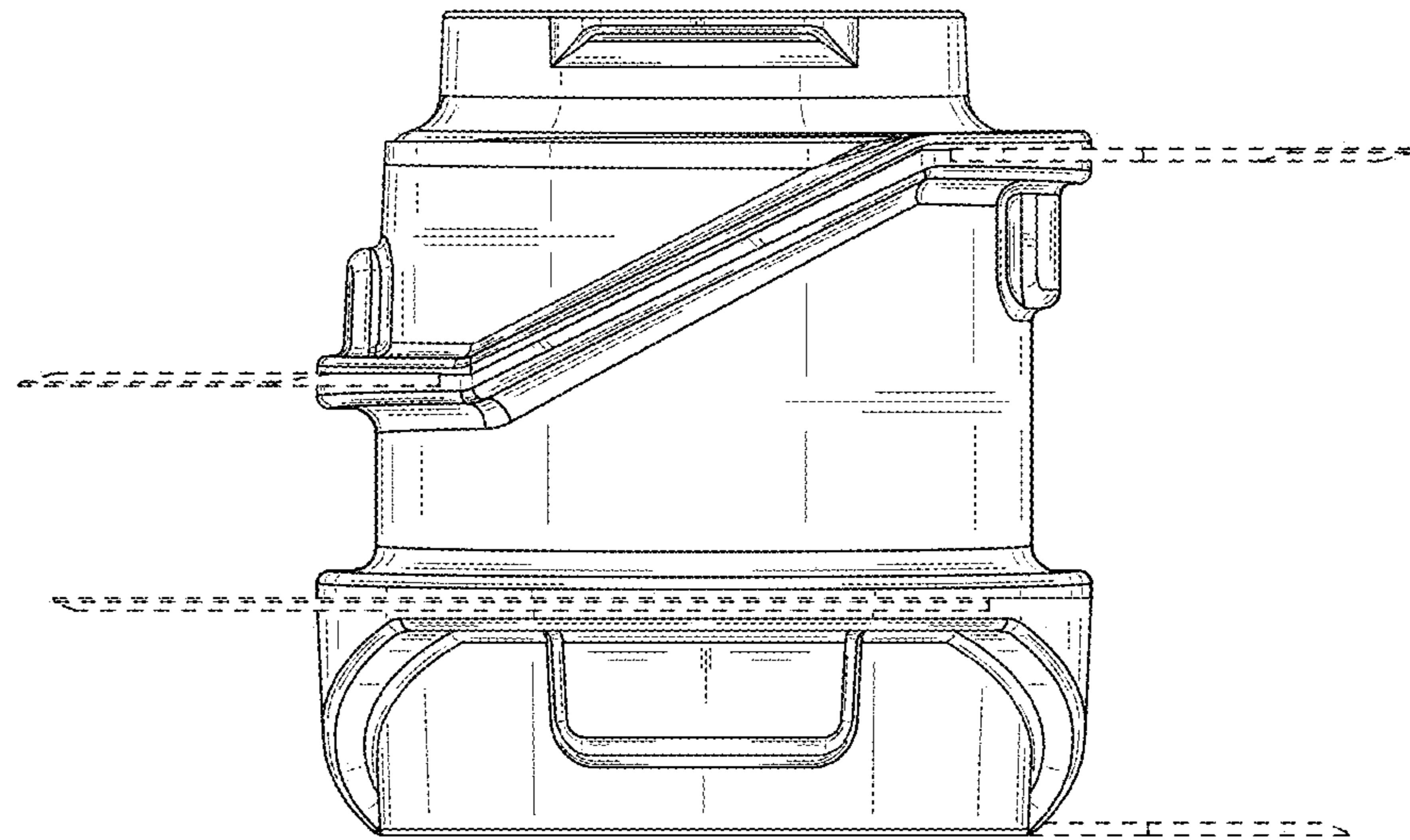


FIG. 8

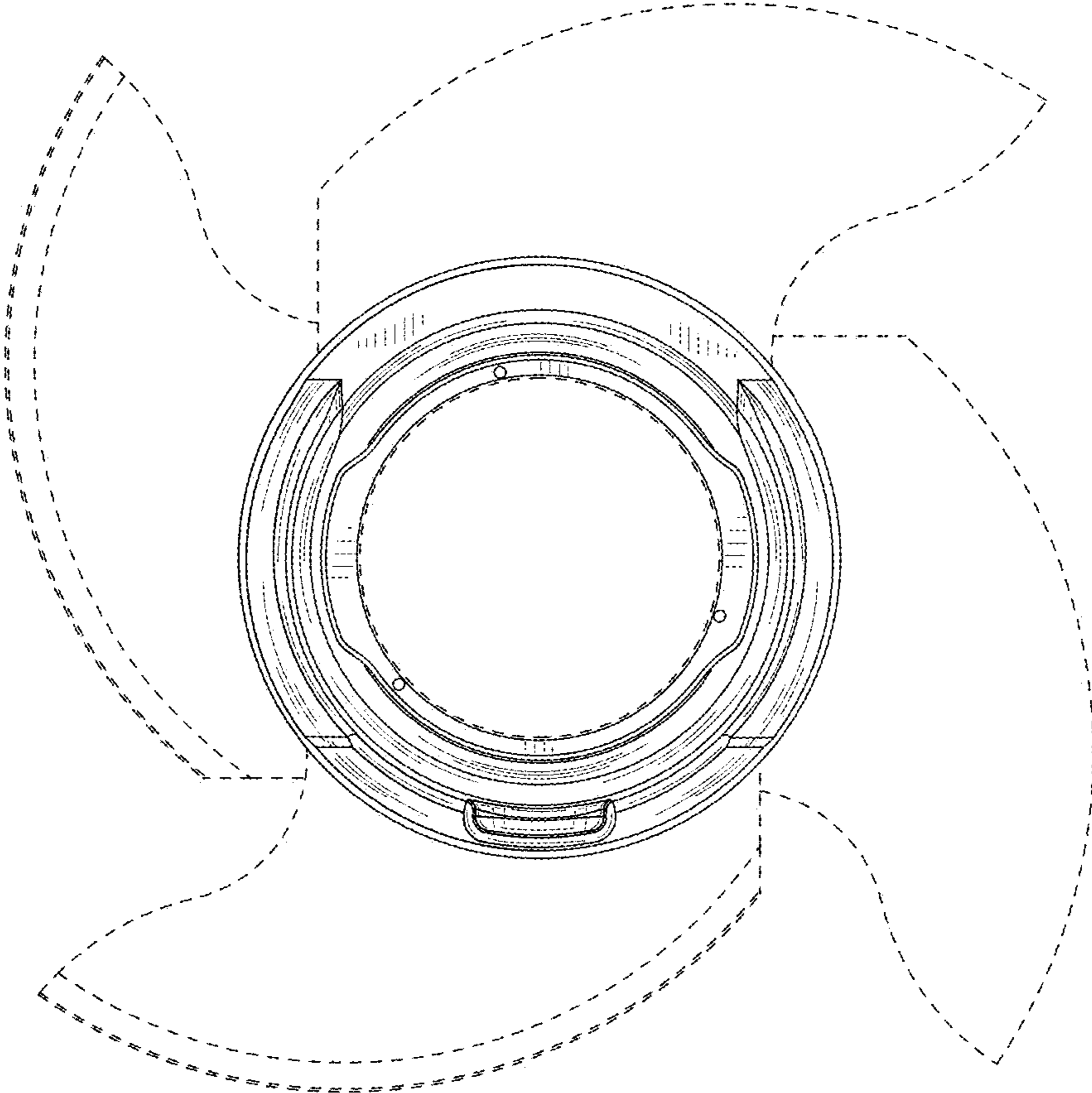


FIG. 9

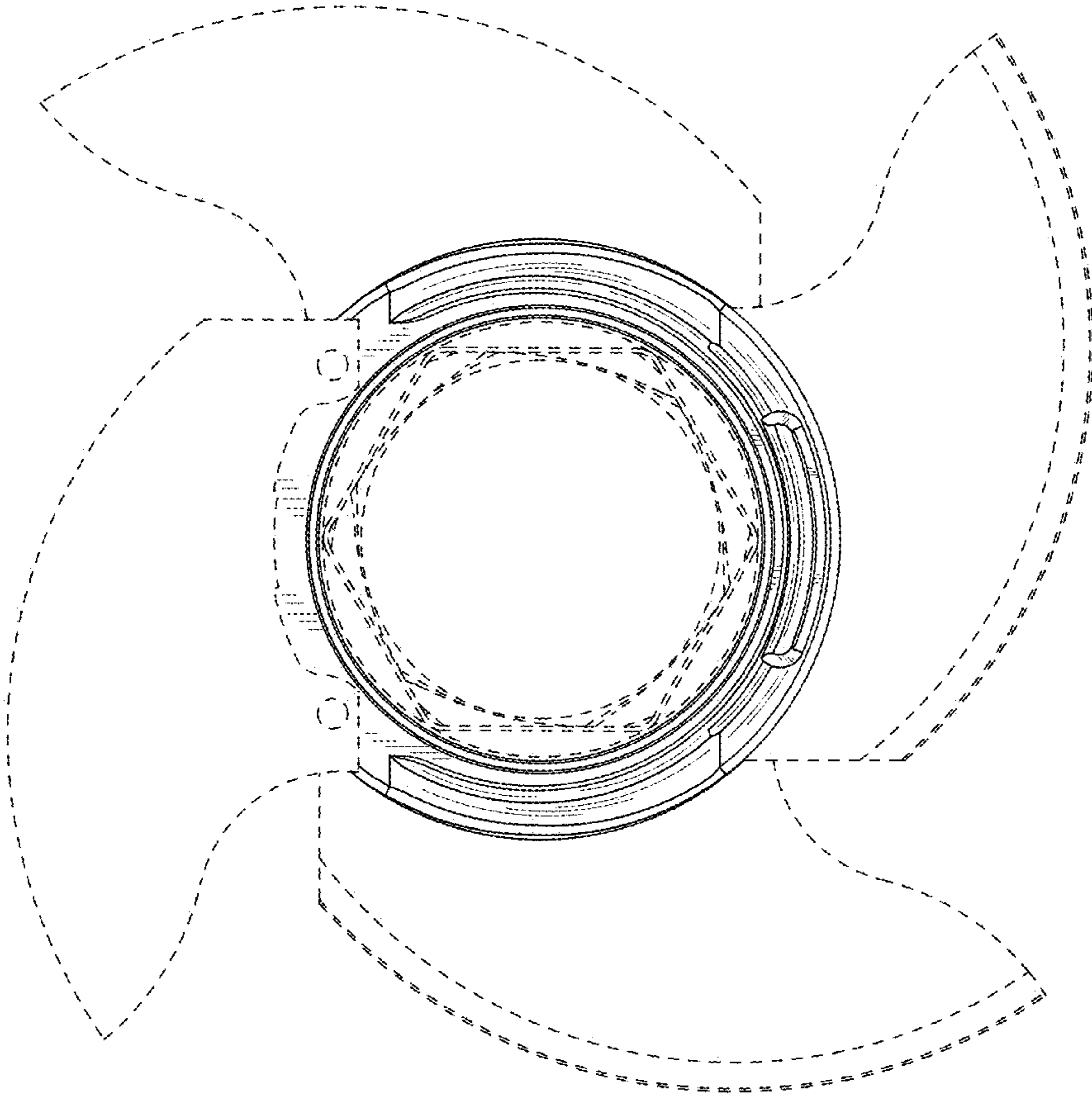


FIG. 10