



US00D927929S

(12) **United States Design Patent**  
**Caniparoli et al.**

(10) **Patent No.:** **US D927,929 S**

(45) **Date of Patent:** **\*\* Aug. 17, 2021**

(54) **GRIDDLE**

(71) Applicant: **Lodge Manufacturing Company**,  
South Pittsburg, TN (US)

(72) Inventors: **Jeffrey L. Caniparoli**, Milwaukie, OR  
(US); **Patrick Scranton**, Vancouver,  
WA (US); **Stephen Michael Griffin**,  
Portland, OR (US)

(73) Assignee: **Lodge Manufacturing Company**,  
South Pittsburg, TN (US)

(\*\*) Term: **15 Years**

(21) Appl. No.: **29/735,725**

(22) Filed: **May 22, 2020**

(51) **LOC (13) Cl.** ..... **07-02**

(52) **U.S. Cl.**  
USPC ..... **D7/409; D7/354**

(58) **Field of Classification Search**  
USPC ..... D7/323, 332, 335-337, 354-355,  
D7/359-364, 387-388, 393, 394, 402,  
D7/407-409, 552.1; D8/317  
CPC .... A21B 2/00; A21B 3/00; A21B 3/13; A21B  
3/15; A21B 5/00; A21B 5/02; A23N  
12/06; A23N 12/08; A23N 12/10; A45D  
2/002; A47J 37/00; A47J 37/04; A47J  
37/041; A47J 37/042; A47J 37/06; A47J  
37/0676; A47J 37/0688; A47J 37/0694;  
A47J 37/07; A47J 37/0704; A47J 37/10;  
A47J 47/20; A47J 2037/00; A47J  
2037/06; A47J 2037/0611; A47J 2037/07;  
A47J 2037/0786; A47J 2037/0795; B21D  
53/74; F24C 15/024; F24C 15/10; F24C  
15/12; F24C 15/14; F24C 15/16; F24C  
15/18; F24C 15/164

See application file for complete search history.

(56) **References Cited**

U.S. PATENT DOCUMENTS

D22,161	S	*	1/1893	Wilmot	.....	D8/317
1,204,429	A	*	11/1916	Griswold	.....	A47J 37/10 99/425
2,022,449	A	*	11/1935	Isaac	.....	A45D 2/002 16/434
2,047,835	A	*	7/1936	Prew	.....	B21D 53/74 294/172
2,126,201	A	*	8/1938	McCall	.....	F24C 15/024 16/434
D379,135	S	*	5/1997	Vina	.....	D7/543
D436,495	S	*	1/2001	Ferrer	.....	D7/360
D508,818	S	*	8/2005	Hawkins	.....	D7/360
7,523,697	B2	*	4/2009	Hedrington	.....	A47J 37/0676 219/452.11
D754,467	S	*	4/2016	Misner	.....	D7/360
D861,418	S	*	10/2019	Whitehead	.....	D7/394

(Continued)

*Primary Examiner* — Ricky Pham

(74) *Attorney, Agent, or Firm* — Alleman Hall Creasman  
& Tuttle LLP

(57) **CLAIM**

The ornamental design for a griddle, as shown and  
described.

**DESCRIPTION**

FIG. 1 is a top perspective view of a griddle according to the  
present invention.

FIG. 2 is a bottom perspective view of the griddle of FIG.  
1.

FIG. 3 is a top view of the griddle of FIG. 1.

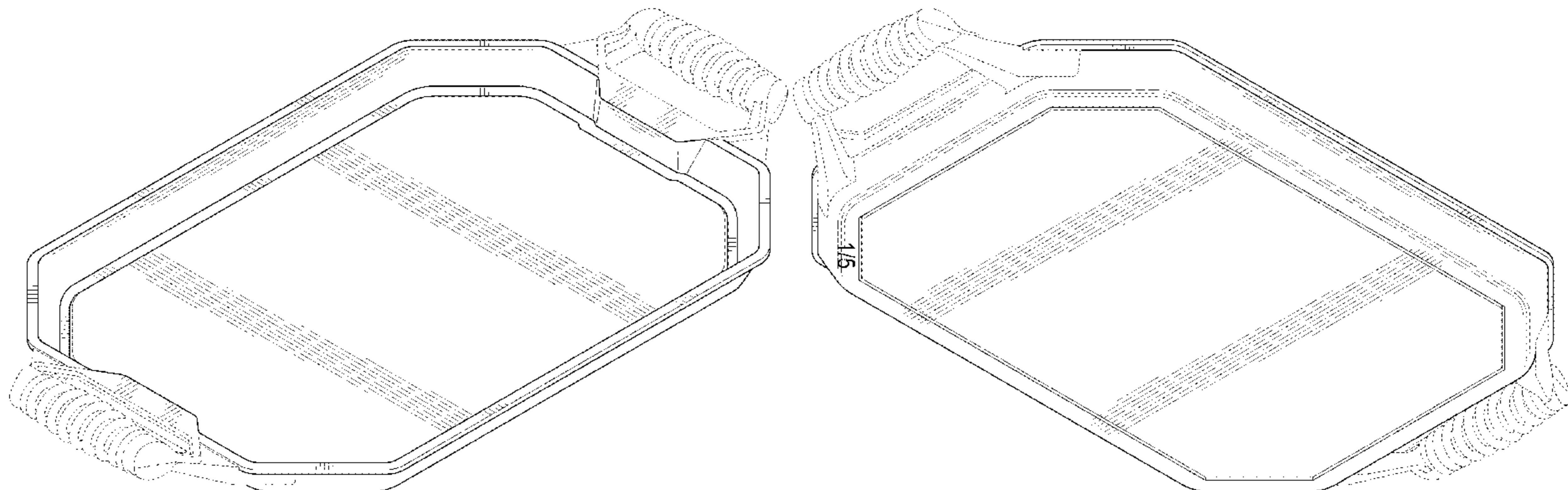
FIG. 4 is a bottom view of the griddle of FIG. 1.

FIG. 5 is a side view of the griddle of FIG. 1, the opposite  
side view being identical; and,

FIG. 6 is an end view of the griddle of FIG. 1, the opposite  
end view being identical.

The broken lines illustrate coil handles and arms that may be  
attached to the griddle and form no part of the claimed  
design.

**1 Claim, 5 Drawing Sheets**



(56)

**References Cited**

U.S. PATENT DOCUMENTS

D889,196 S \* 7/2020 Elmore ..... D7/393  
D916,563 S \* 4/2021 Dorion ..... D7/409

\* cited by examiner

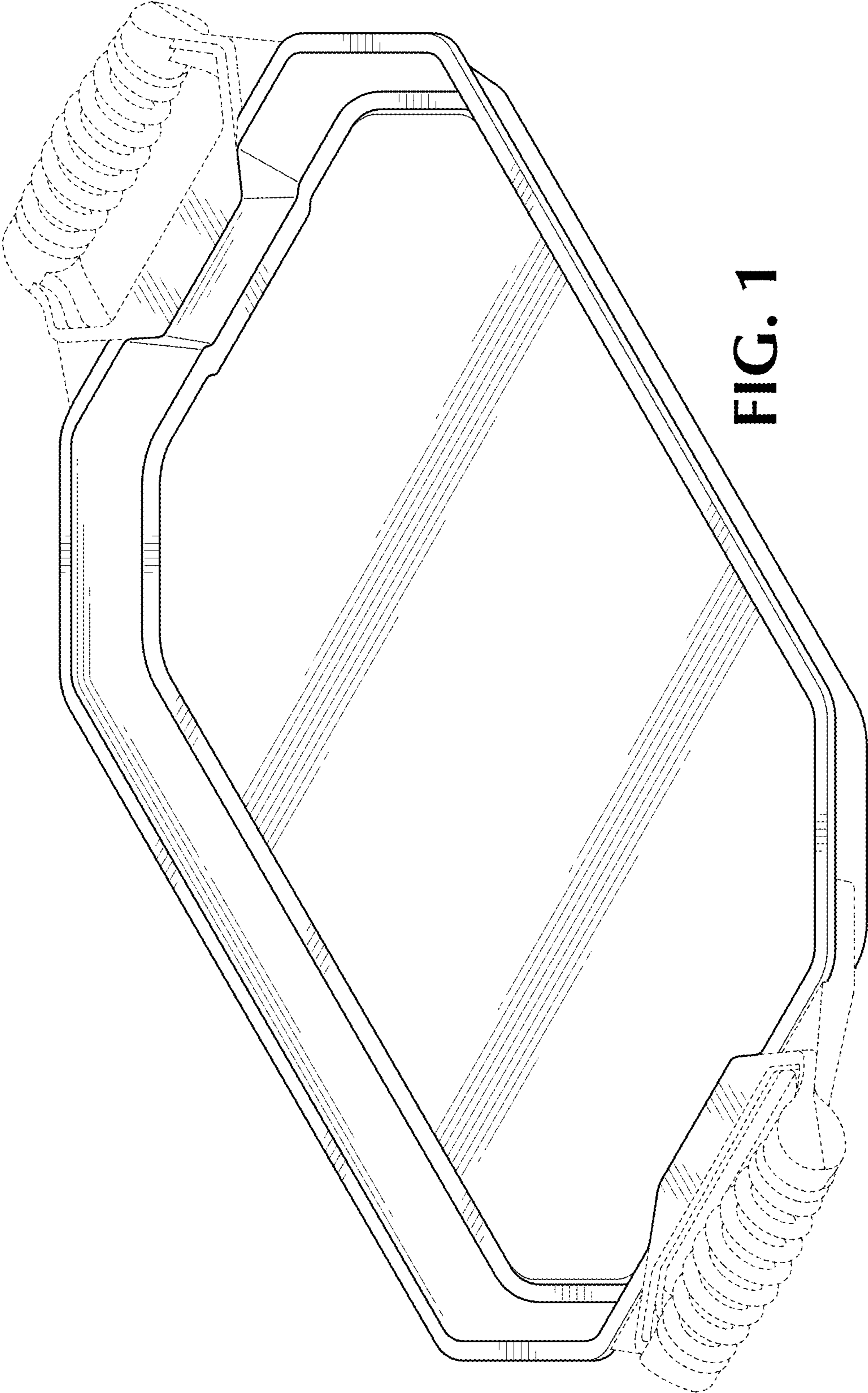


FIG. 1

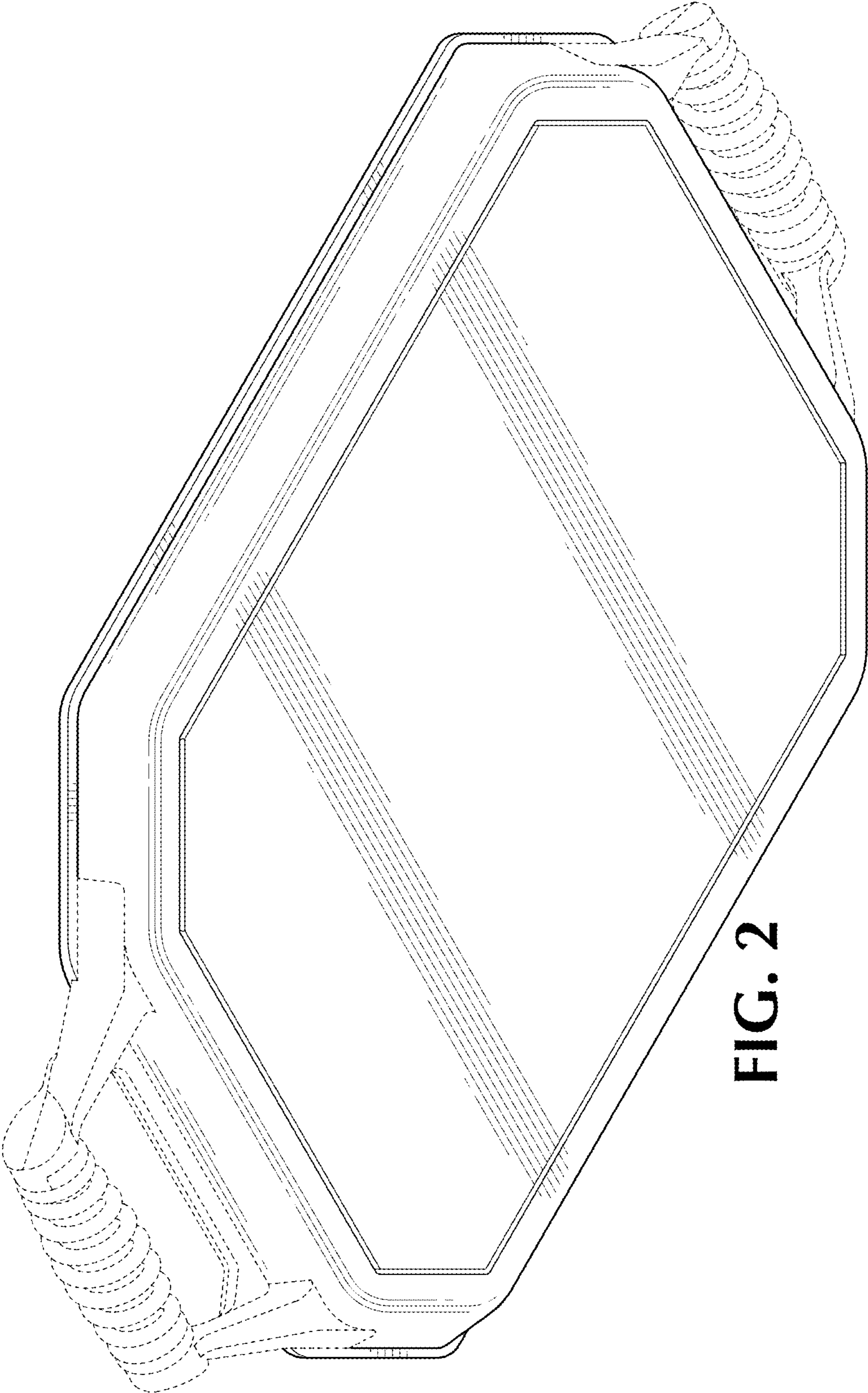


FIG. 2

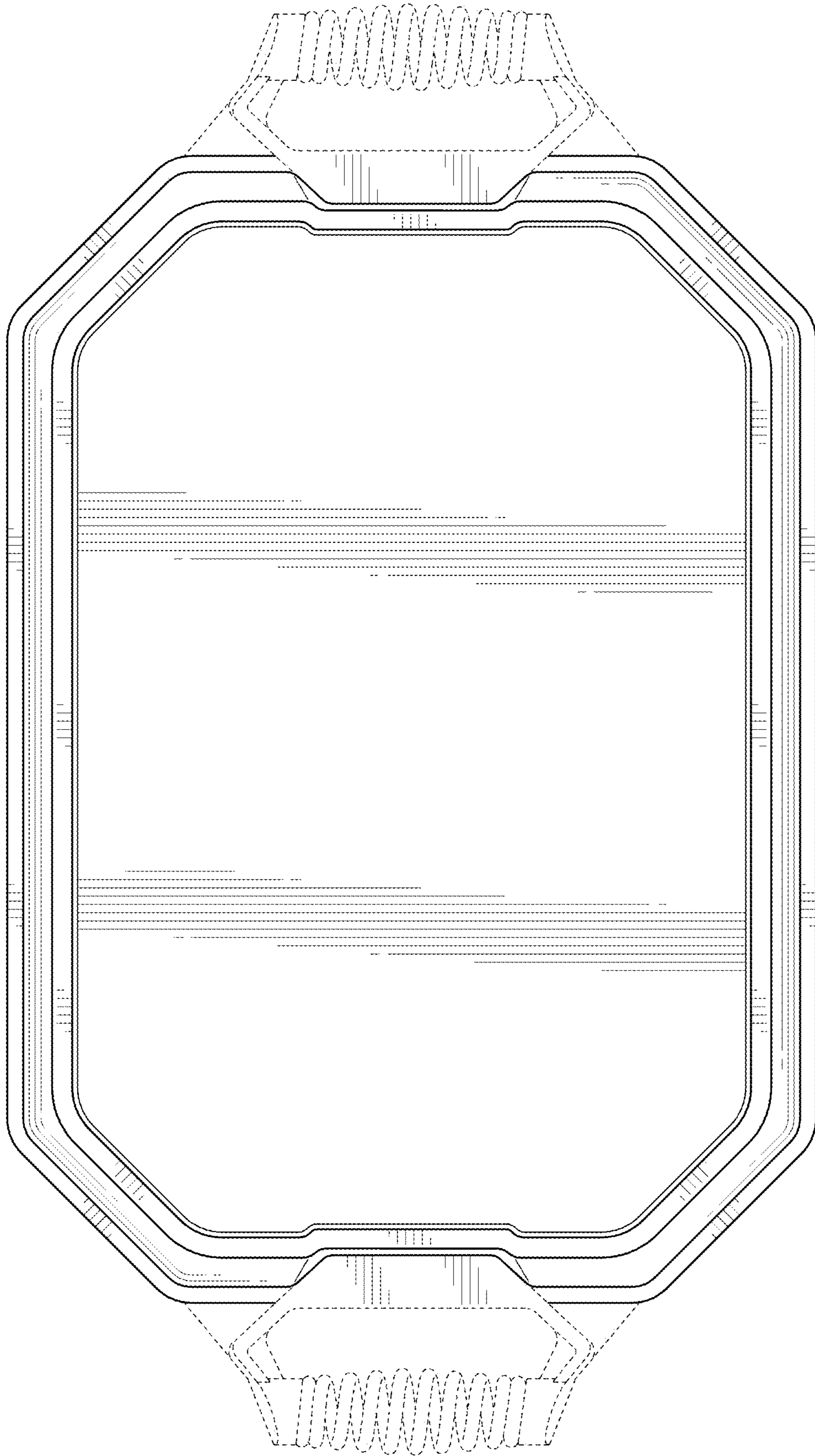
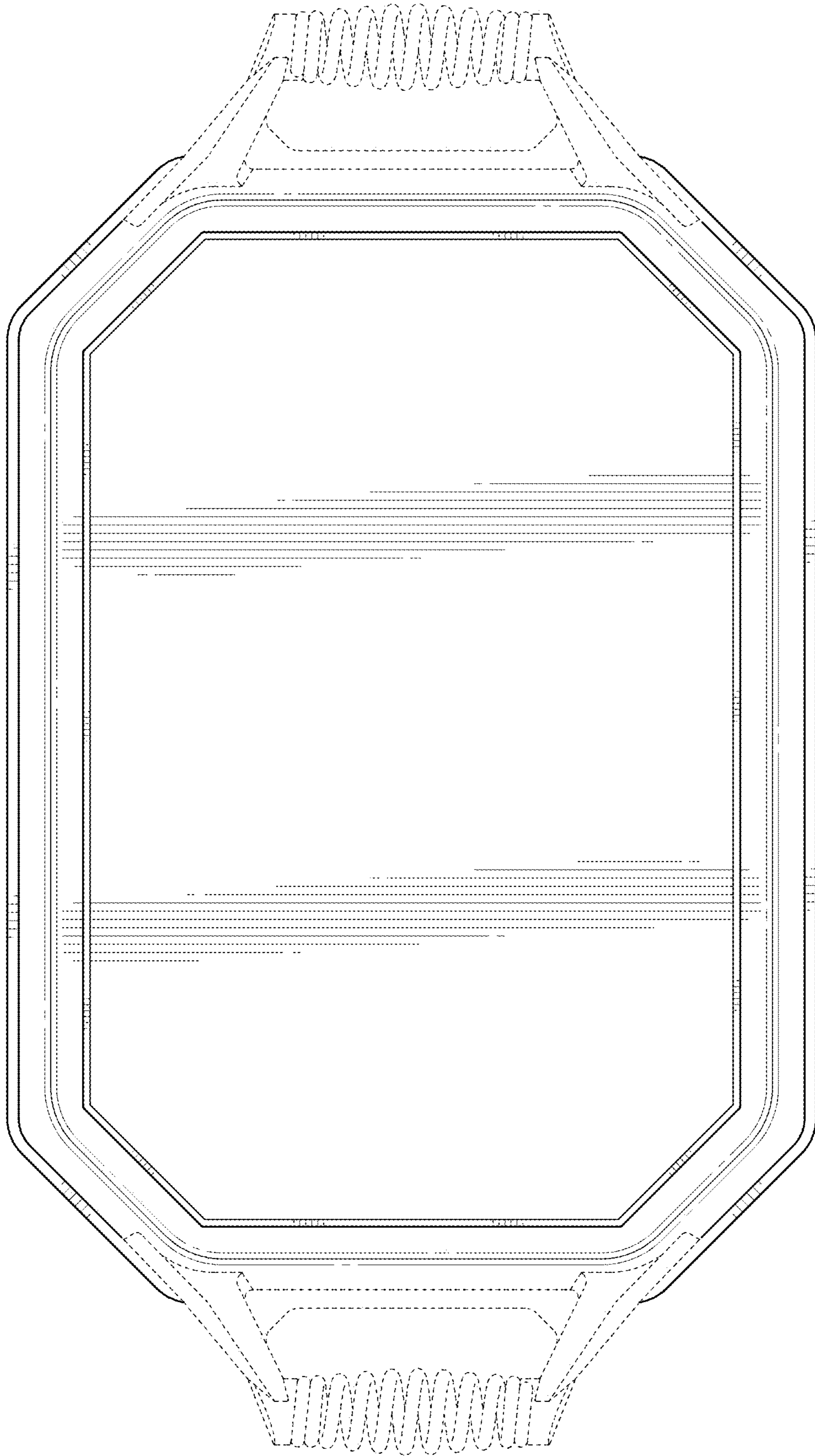
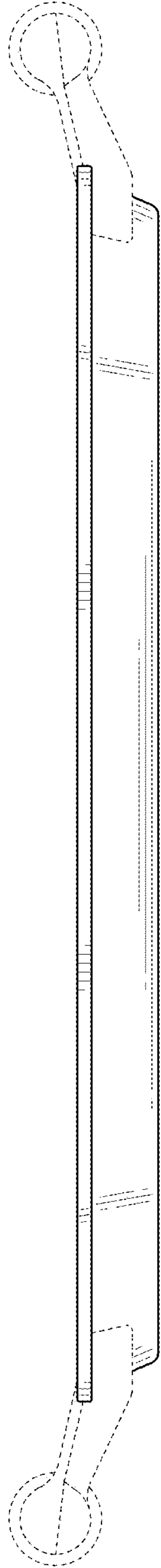


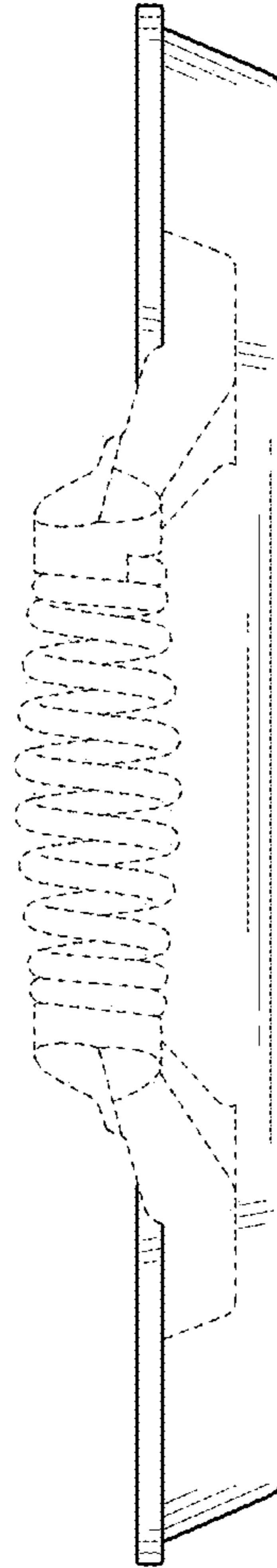
FIG. 3



**FIG. 4**



**FIG. 5**



**FIG. 6**